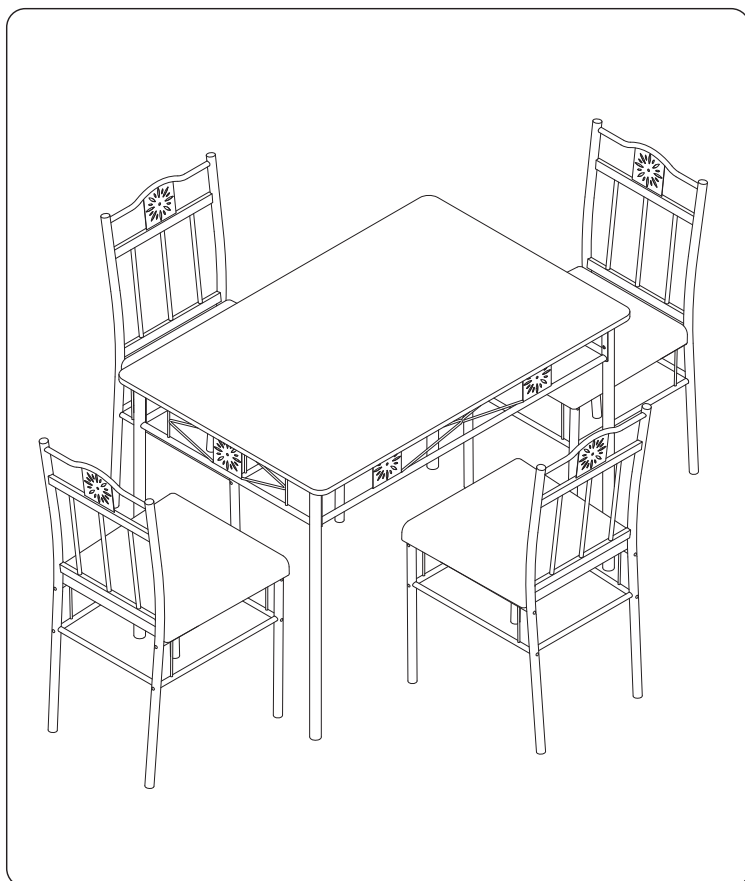


Assembly Instruction

Tips!

Check all the components & screws before assembly.



Componets


Table			Chair		
(A)		2	(G)		4
(B)		2	(H)		8
(C)		1	(I)		4
			(J)		4

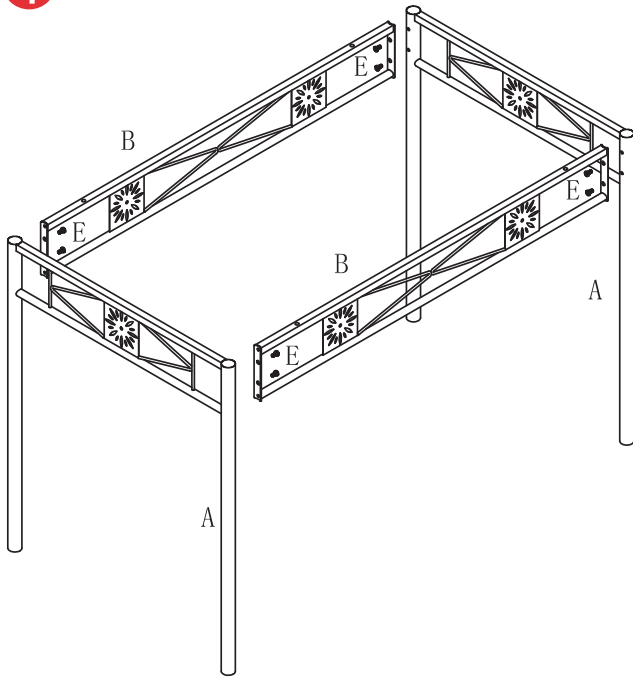
Screws & Tools

Table				Chair			
D		M6*25mm	4	K		M6*35mm	32
E		M6*12mm	8	D		M6*25mm	16
F					1		

Table Assembly

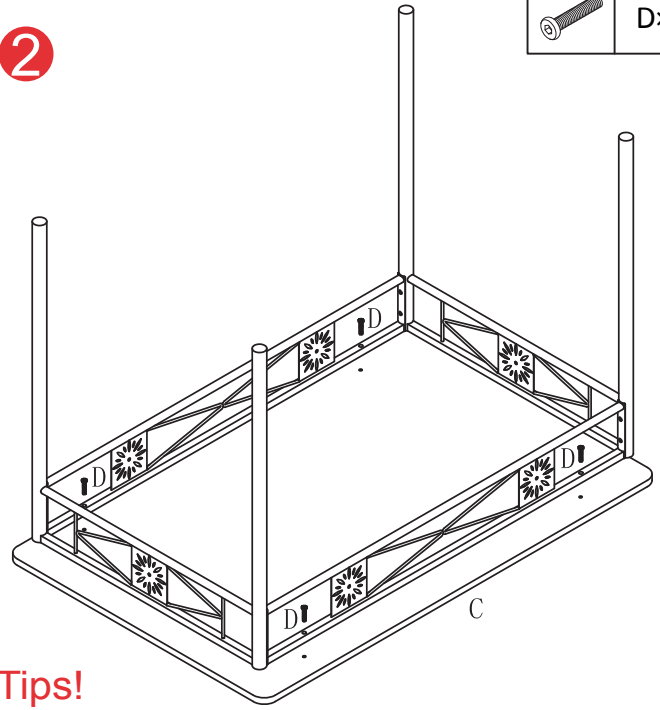
1

 E×8



2

 D×4



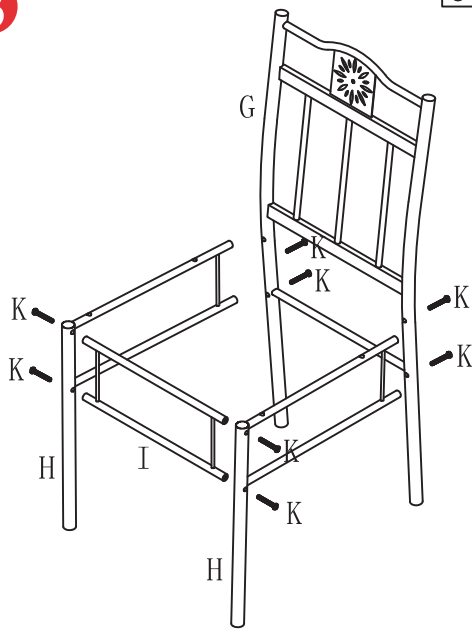
Tips!

Put the package under the glass to prevent scratch

Chair Assembly

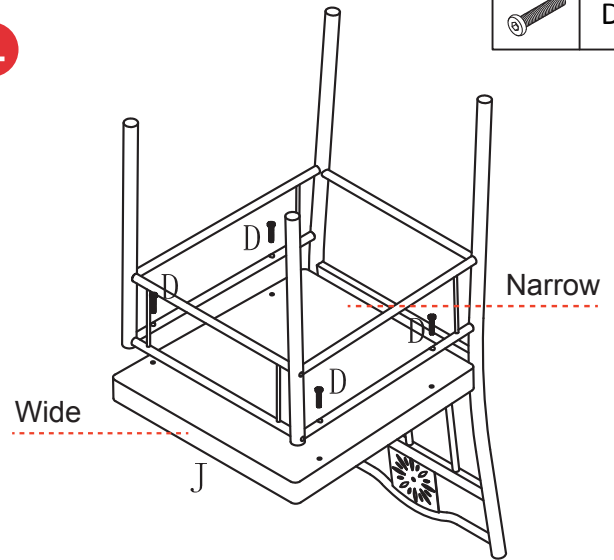
3

 K×8



4

 D×4



Note: The chair cushion is not square, the side near the back is narrow and the front is wide. When installing, please pay attention to the front and back direction of the seat cushion, otherwise the holes may not be aligned properly.