

Single Ultrawide Monitor Wall Mount

SKU: MOUNT-WCB01A

Instruction Manual

Assembly Video & Product Info
www.vivo-us.com/products/mount-wcb01a



! CAUTION! !

If you do not understand these directions, or if you have any doubts about the safety of the installation, please contact our product support team at 309-278-5303 or help@vivo-us.com for further assistance. Check carefully to make sure there are no missing or defective parts. Improper installation may cause damage or serious injury. Do not use this product for any purpose that is not explicitly specified in this manual. Do not exceed weight capacity. We cannot be liable for damage or injury caused by improper mounting, incorrect assembly or inappropriate use.



WARNING: CHOKING HAZARD

SMALL PARTS - NOT FOR CHILDREN UNDER 3 YEARS. ADULT SUPERVISION IS REQUIRED.



DO NOT EXCEED WEIGHT CAPACITY

FAILURE TO DO SO MAY RESULT IN SERIOUS INJURY.

We're Here for You

Open **Monday - Friday 7:00am - 7:00pm CST**, our dedicated support team can offer immediate assistance with rapid response times. If any parts are received damaged or defective, please contact us. We are happy to replace parts to ensure you have a fully functioning product.



Give us a Call:
309-278-5303

AVG. RESOLUTION TIME (*within office hrs*): **5M 4S**



Chat Us:
www.vivo-us.com

AVG. RESOLUTION TIME (*within office hrs*): **< 15 M**



Email Us:
help@vivo-us.com

AVG. RESPONSE TIME (*within office hrs*): **1HR 8M**

- 23% within < 15m
- 38% within < 30m
- 61% within < 1hr
- 83% within < 2hr
- 92% within < 3hr

Weight Capacity



Package Contents



A (x1)
Wall Mount



B (x1)
VESA Bracket

Included Hardware & Tools



M-A (x4)
M4x12mm
Screw



M-B (x4)
M5x12mm
Screw



M-C (x4)
M5 Washer



W-A (x3)
ST6.3x55mm
Screw



W-B (x3)
M6 Washer



T-A (x1)
6mm Allen
Wrench

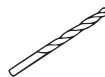
Tools Needed



**Phillips
Screwdriver**



Drill



**3/16"
(4.5mm)
Drill Bit**



**10mm
Socket
Wrench**



**Stud
Finder**

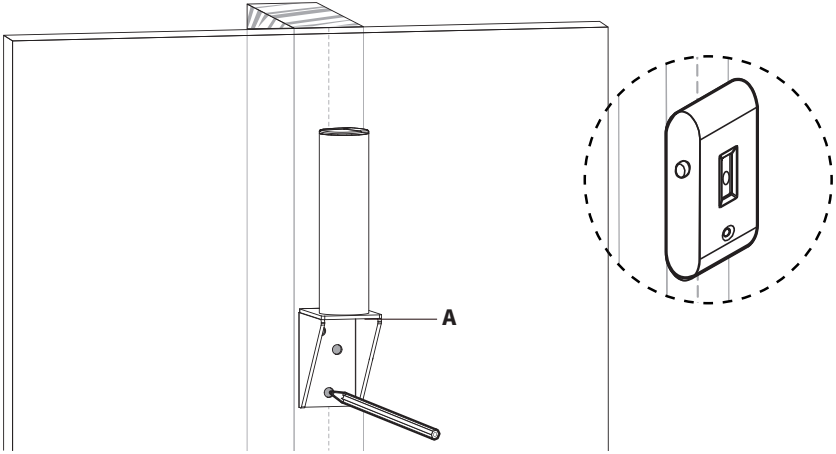


Pencil

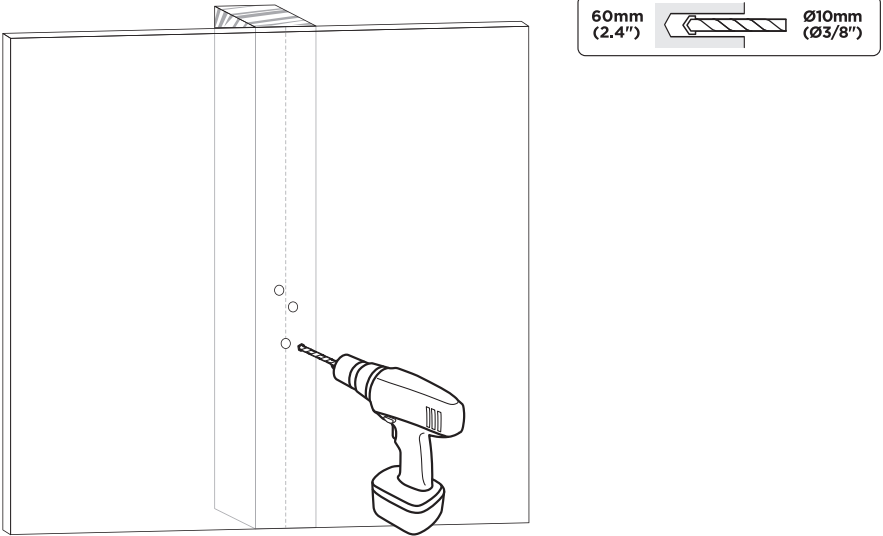
ASSEMBLY STEPS

STEP 1

Hold Wall Mount (**A**) against the wall in the desired location, and use a pencil to mark drilling locations. **Note:** Use of a stud finder and level is recommended.

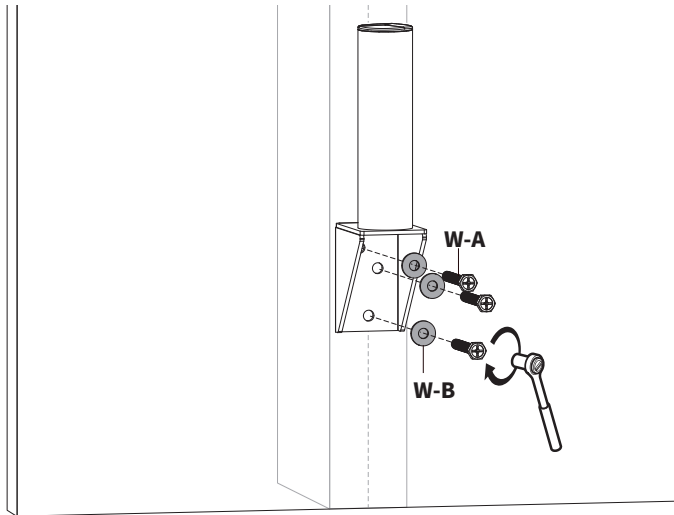


Using a $\frac{3}{8}$ " drill bit, drill approximately 60mm (2.4") into marked locations.



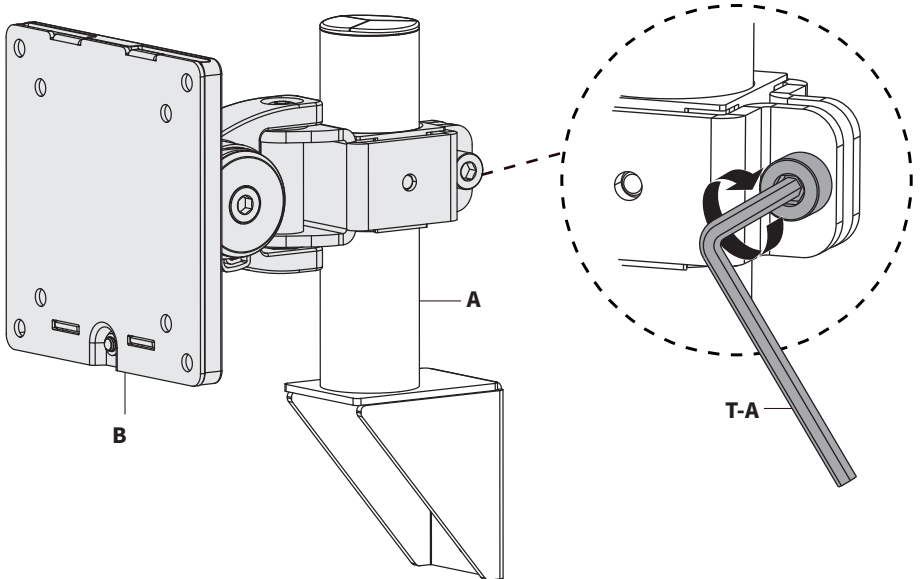
STEP 2

Secure Wall Mount **(A)** to wall using ST6.3x55mm Screws **(W-A)** and M6 Washer **(W-B)** and 10mm socket wrench.



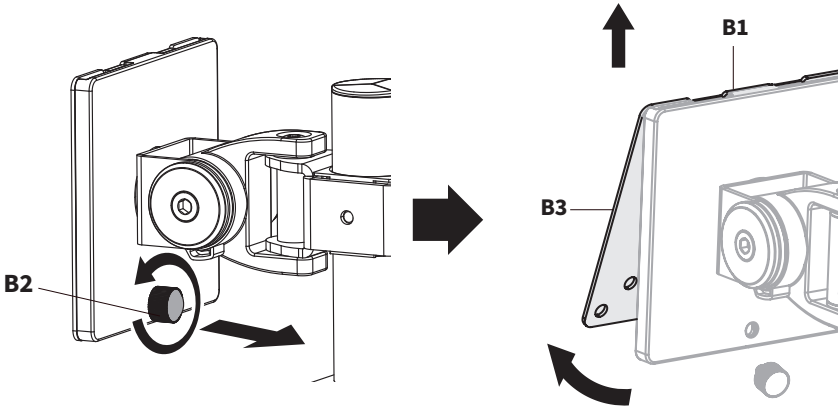
STEP 3

Slide VESA Bracket **(B)** on to the pole of Wall Mount **(A)** and secure at desired height using 6mm Allen Wrench **(T-A)**.

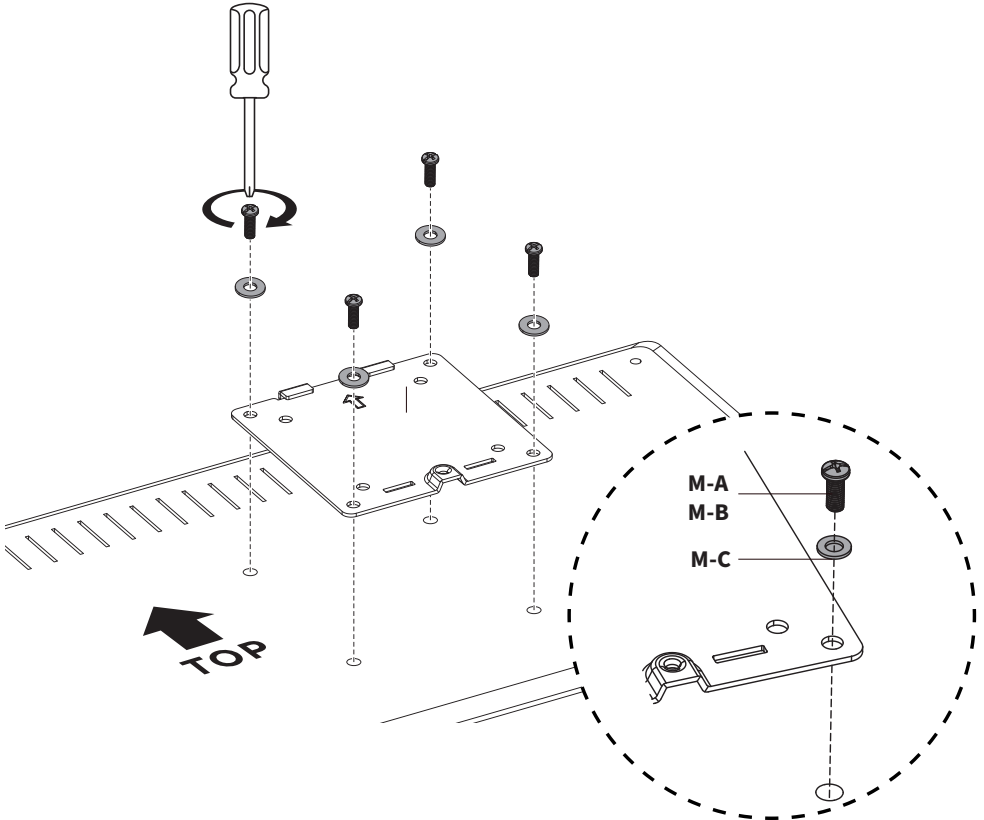


STEP 4

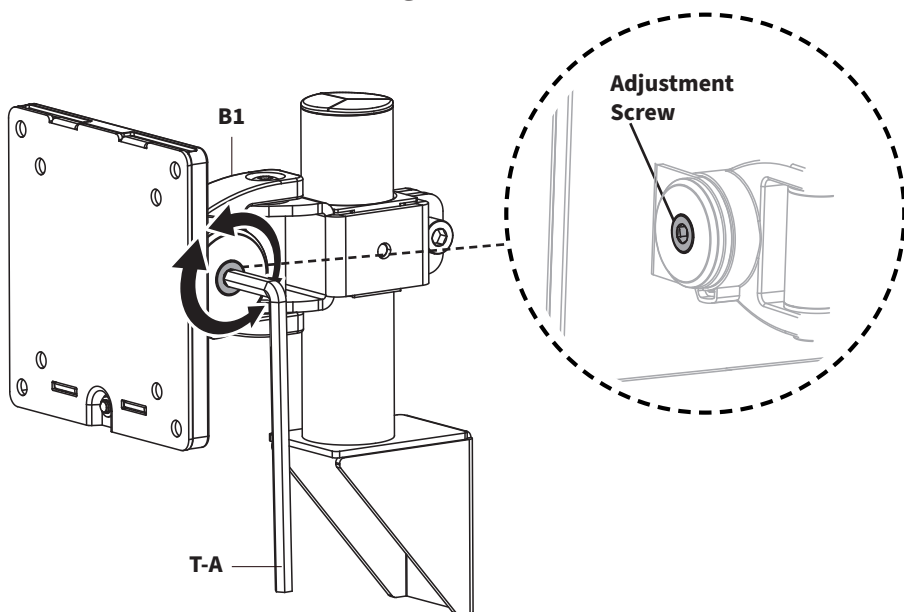
Loosen the Thumbscrew (**B2**) on the back of VESA Bracket (**B1**), then separate and remove VESA Plate (**B3**) by pulling out and sliding upwards.



Install the VESA Plate (**B3**) onto the back of your monitor using M4x12mm Screws (**M-A**) or M5x12mm Screws (**M-B**) and M5 Washers (**M-C**), orienting the arrow on the VESA Plate pointing up. Tighten screws using a Phillips screwdriver making sure not to over tighten.



Adjusting the Tilt Joint



1 Loosen Tilt Joint:

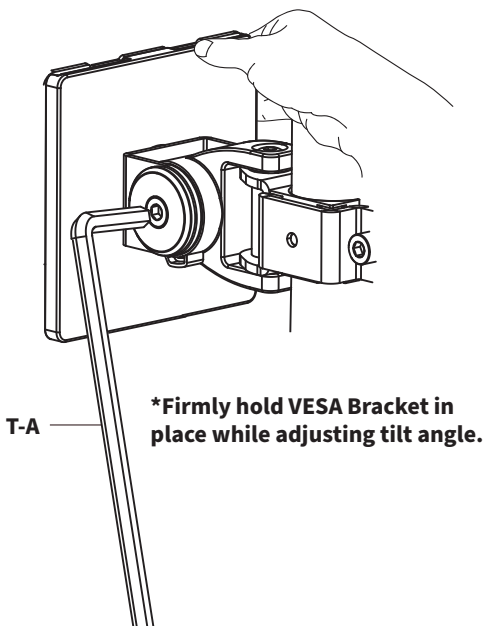
Use 6mm Allen Wrench (**T-A**) to loosen the **Adjustment Screw**, located on the side of VESA Bracket (**B1**).

2 Set Angle

Firmly grip the VESA Bracket and adjust to your desired viewing angle, and hold in place.

3 Lock Angle

Tighten as much as possible using the 6mm Allen Wrench (**T-A**) to lock the angle.

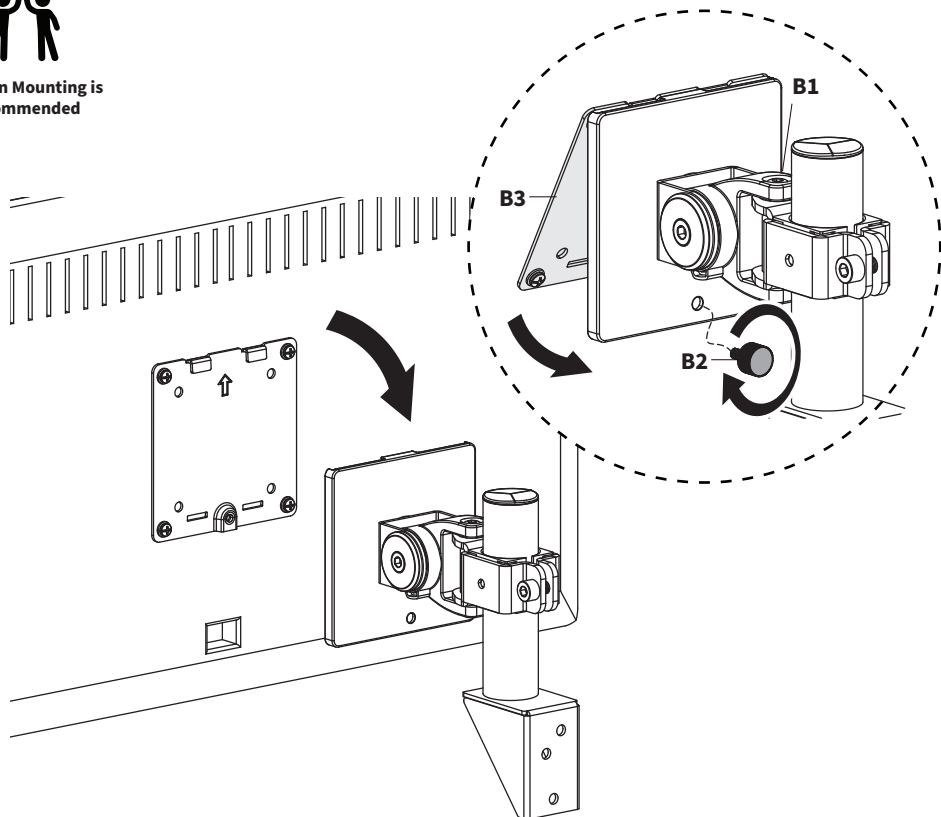


STEP 6

With the assistance of a second person, line up the VESA Plate (**B3**) on your monitor with the VESA Bracket and the Plate Hooks into the pockets of the VESA Bracket (**B1**). Monitor & VESA Bracket may need to be angled backwards slightly when sliding on. Secure in place using previously removed Thumbscrew (**B2**).



2 Person Mounting is Recommended



**Monitor & VESA Bracket may need to be angled backwards slightly when sliding on.*



Monitor Tilted Too Far?

**** See Next Step ****

Refer to instructions in next step to adjust. **DO NOT** try to adjust angle freely. Doing so may result in accidental damage to your screen.

Fine Tune Tilt Angle

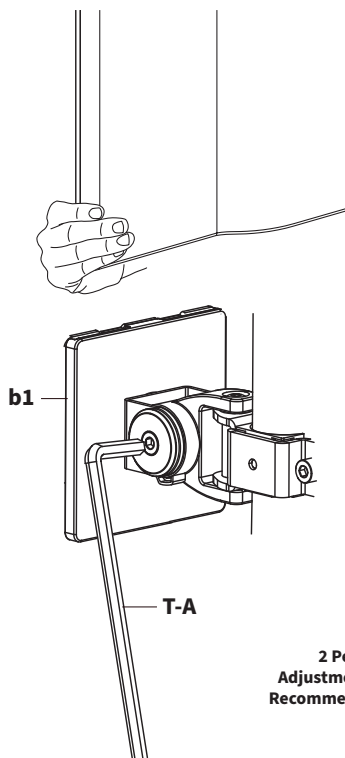
If the monitor is angled further than intended...



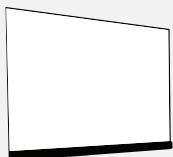
Heavy Weighted/ Ultrawide Monitors

[22lbs - 44lbs]

- 1 Firmly Hold Monitor**
Firmly grasp and hold the monitor in place. Do NOT release monitor until you have completed steps below.
- 2 Loosen Tilt Joint:**
With a hand still on the monitor, use 6mm Allen Wrench (**T-A**) to loosen the tilt joint **Adjustment Screw**, located on the side of VESA Bracket (**B1**).
- 3 Set & Lock Angle**
Adjust screen slightly past your desired viewing angle, then tighten the screw as much as possible using 6mm Allen Wrench (**T-A**).
- 4 Straighten Angle**
Slowly adjust the monitor down until your desired angle is reached. Release monitor and check angle. Repeat process as necessary



**2 Person
Adjustment is
Recommended**



Ultra Thin Monitors

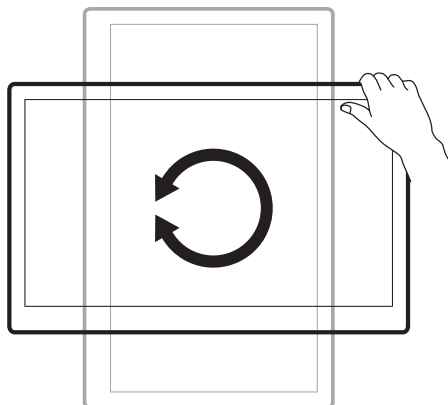
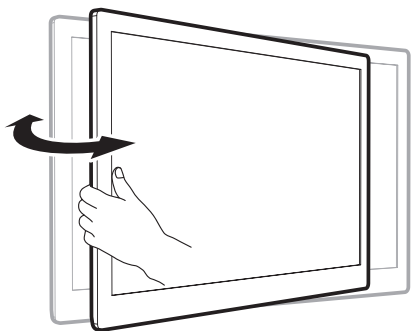


ALWAYS REMOVE MONITOR BEFORE RE-ADJUSTING

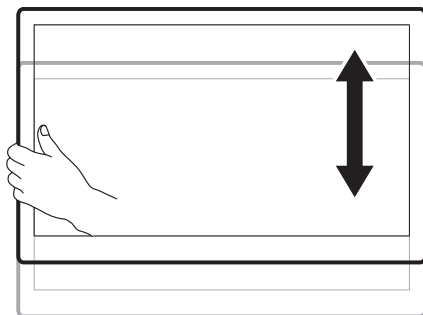
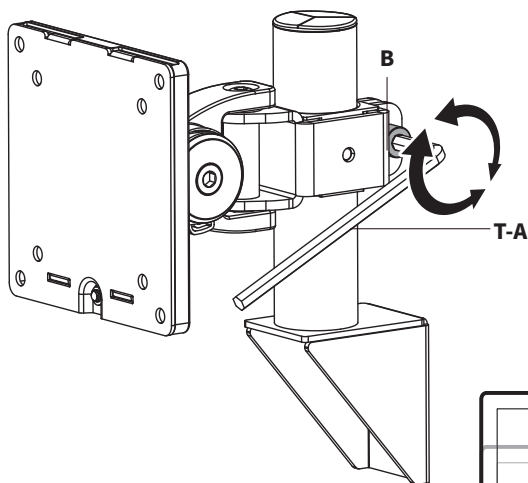
To prevent accidental damage to your screen, remove monitor and then follow Tilt Adjustment instructions. Reinstall monitor when desired angle is reached.

STEP 7

Make adjustments as desired on swivel and orientation.



If further height adjustment is needed, use 6mm Allen Wrench (**T-A**) to loosen VESA Bracket (**B**) and adjust height, then tighten Bracket again to secure.



[THIS PAGE HAS BEEN INTENTIONALLY LEFT BLANK]



Need Help? Get In Touch

Monday-Friday from 7:00am-7:00pm CST



help@vivo-us.com



www.vivo-us.com

Chat live with an agent!



309-278-5303



VIVO-us @vivo_us