


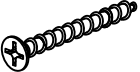

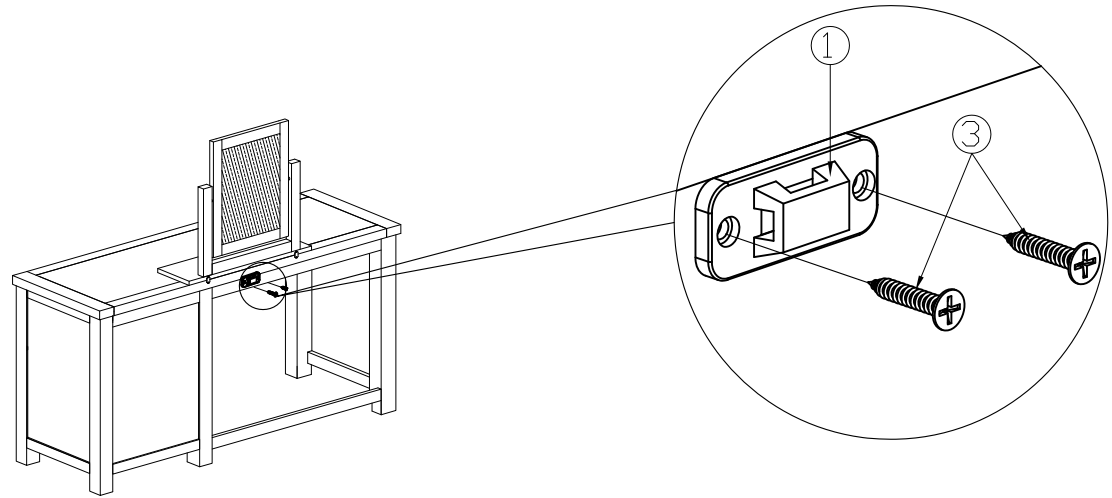


ASSEMBLY INSTRUCTION

| NO | Name of Hardware | | Q.ty |
|----|---|-----------------------|------|
| ① |  | Bracket | 2PCS |
| ② |  | Nylon strip | 1PC |
| ③ |  | Screw M4 x 20 | 2PCS |
| ④ |  | Screw M4 x 35 | 2PCS |
| ⑤ |  | Wall plug Ø4 x L40 | 2PCS |

Step 1



Step 2

