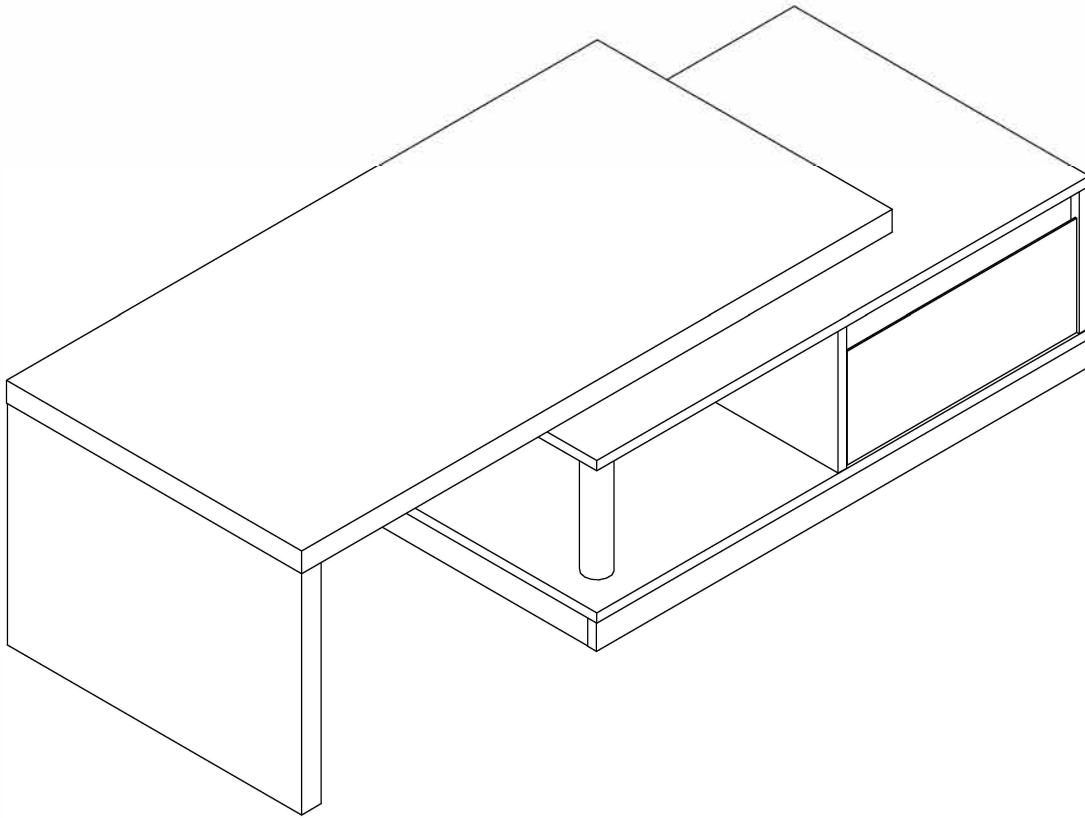


ASSEMBLY INSTRUCTION

Thank you for purchasing the quality product. Be sure to check all packing material carefully for small parts which may have come loose inside the carton during shipment. Separate, identify and count all parts and metal hardware. Compare with all parts list to be sure all parts are present. If any part(s) are missing or damaged, please contact your local furniture dealer. For efficient and speedy service, please indicate the model number and code letter of part(s) needed.

*****Do not fully tighten screws until fully assembled*****

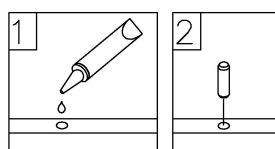


Attention:

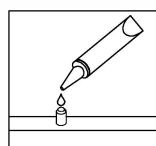
*****Some number parts listed on the instruction sheet may not be in parts bag as they may already be assembled. Carefully check parts and packing materials prior to ordering replacements.**

General Assembly Guidelines

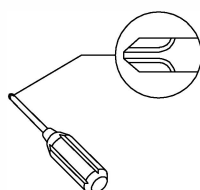
- I. Ensure that all parts and hardware are available before beginning assembly.
- II. Follow each step carefully to ensure the proper assembly of this product.
- III. Two people are recommended for ease in the assembly of this product.
- IV. The three main types of hardware used to assemble this product are: wood dowels, screws and bolts.
- V. The provided glue is to secure wood dowels in place. When first inserting dowels, locate the appropriate hole for the dowel, place a small amount of glue in the hole and insert the dowel. Wipe away excess glue immediately.



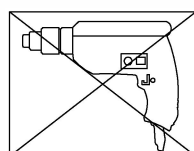
In future assembly steps when dowels are necessary to attach assembly parts together, place a small amount of glue on the end of the dowel before attaching parts together. Wipe away excess glue immediately.



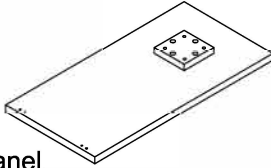
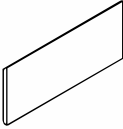
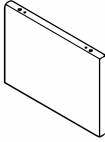
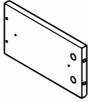
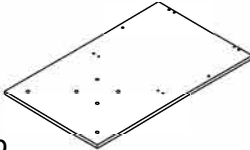
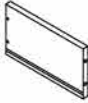
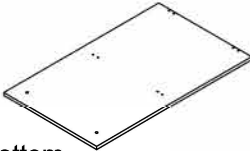
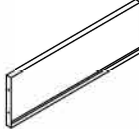
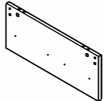
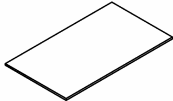
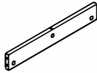
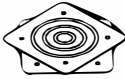

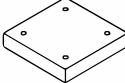
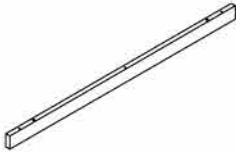
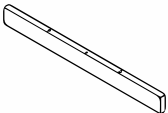
- VI. A Phillips head screwdriver is required for the assembly of this product.























- VII. Power tools should not be used to assemble this product.

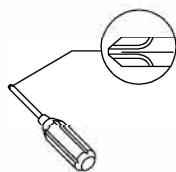


COMPONENT PARTS

DESCRIPTION	PART NAME	QTY(PCS)	DESCRIPTION	PART NAME	QTY(PCS)
①	 Top Panel	1	⑩	 Drawer Front Panel	2
②	 Side Panel	1	⑪	 Drawer Side Panel(L)	2
③	 Table Top	1	⑫	 Drawer Side Panel(R)	2
④	 Table Bottom	1	⑬	 Drawer Back Panel	2
⑤	 Side Panel	2	⑭	 Drawer Bottom Panel	2
⑥	 Support Panel	2	⑮	 Turntable	1
⑦	 Metal Pillar	2	⑯	 Support Panel	1
⑧	 Support Panel	2			
⑨	 Support Panel	2			

Hardware List

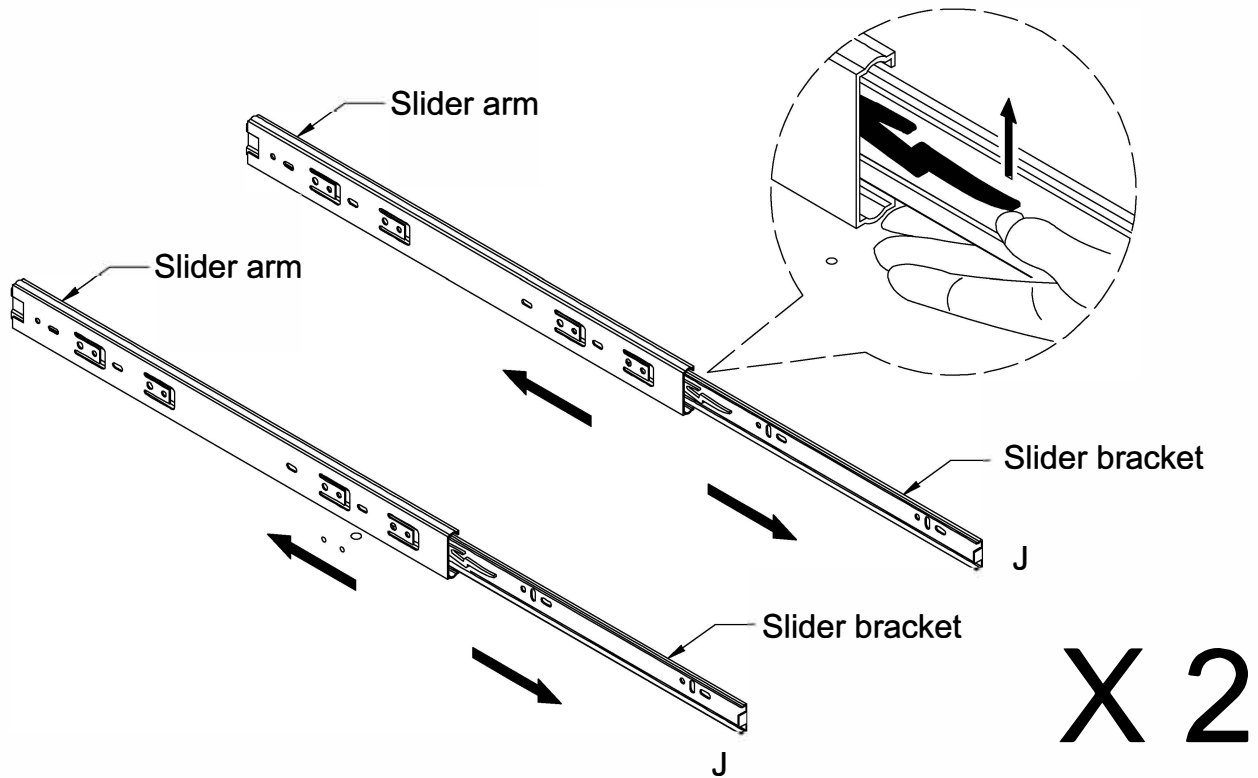
A		Ø8x30mm	Wooden dowel	22 pcs
B		Ø6x35mm	Cam bolt	22 pcs
C		Ø15x11mm	Cam lock	22 pcs
D			Sticker	22 pcs
E		Ø6x50mm	Screw	4 pcs
F		4mm	Allen Key	1 pcs
G			Glue tube	1 pcs
H		Ø4x50mm	Screw	8 pcs
I		Ø3.5x14mm	Screw	16 pcs
J			Drawer slider	2 pcs
K		M8x20mm	Bolt	4 pcs
L		M8mm	Nut	8 pcs
M			Wrench	1 pcs
N		M8mm	Washer	8 pcs
O			Sleeve	1 pcs
P		M8x298mm	Screw rod	2 pcs
Q		M8x445mm	Screw rod	2 pcs
R		5mm	Allen Key	1 pcs
S		M8x70mm	Bolt	4 pcs
T		Ø4x30mm	Screw	8 pcs



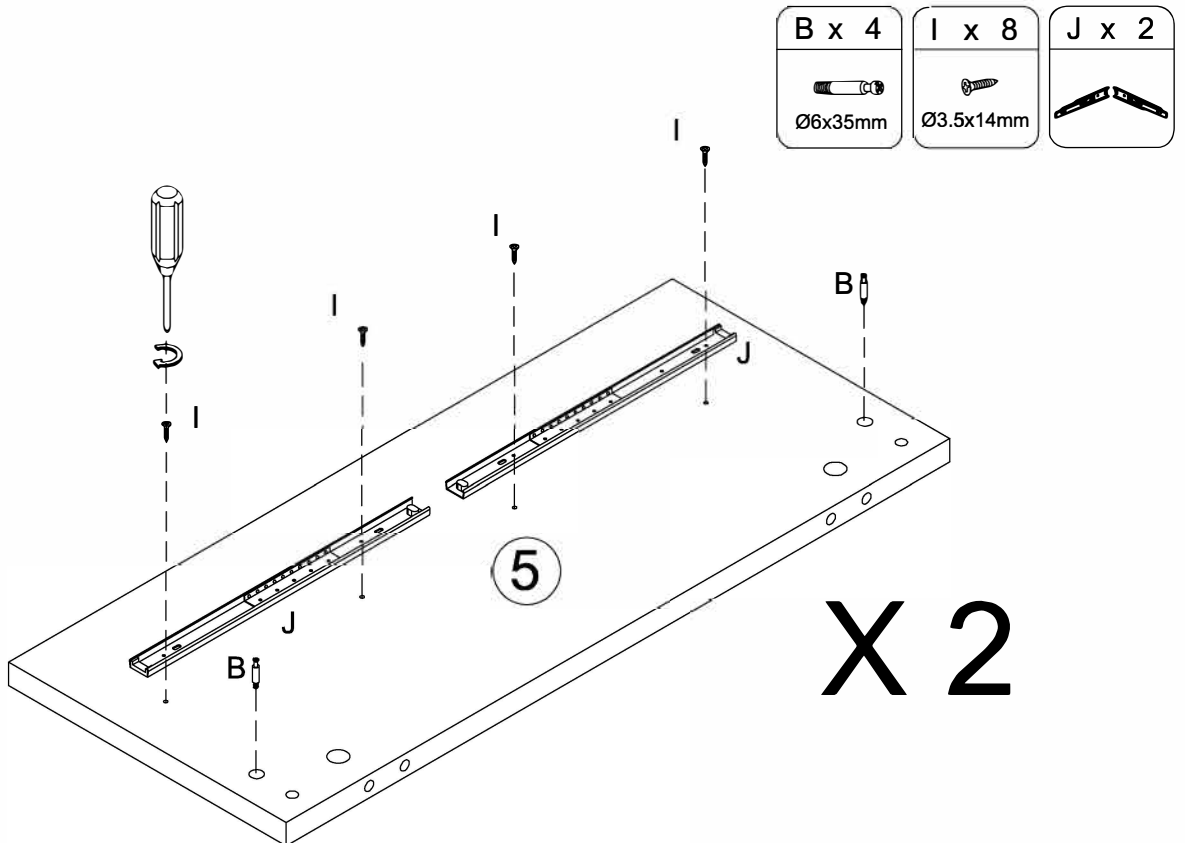
Philips head screwdriver required for assembly
(not included)

*The hardware quantities listed above are required for proper assembly.
Some extra hardware may also have been included.*

Step 1

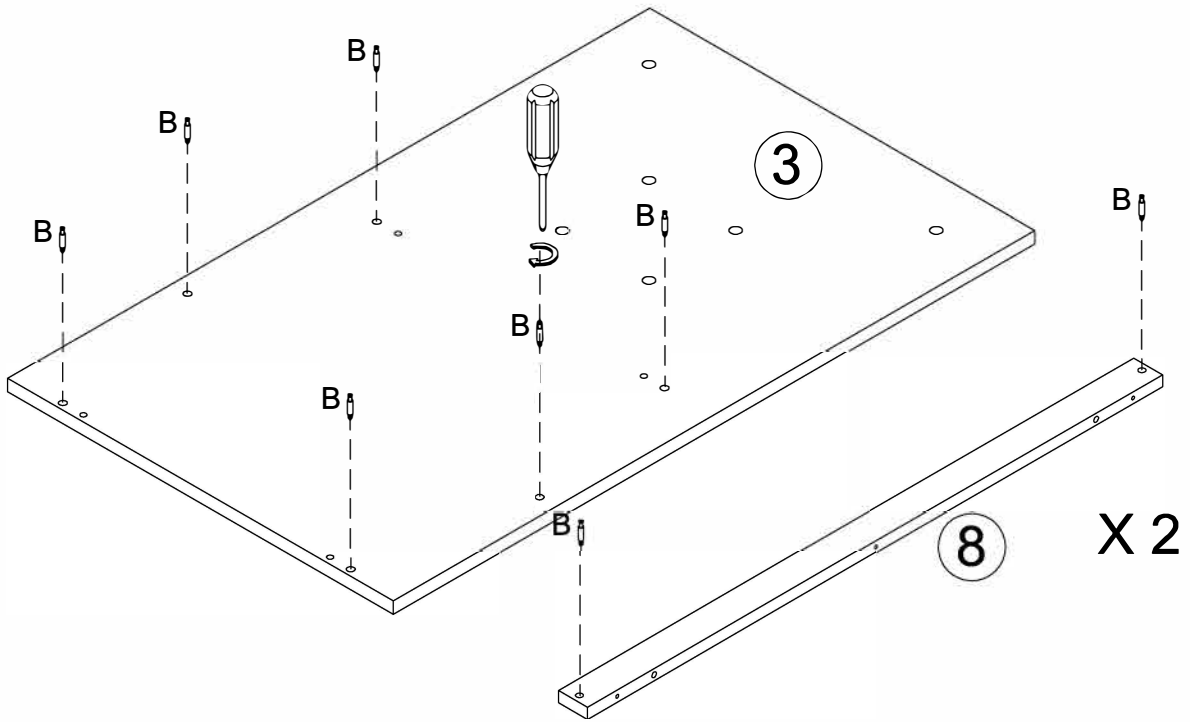
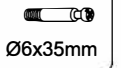


Step 2



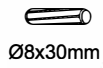
Step 3

B x 10

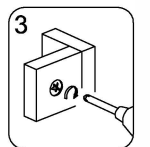
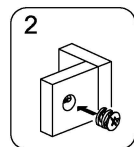
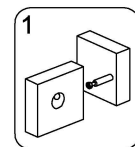
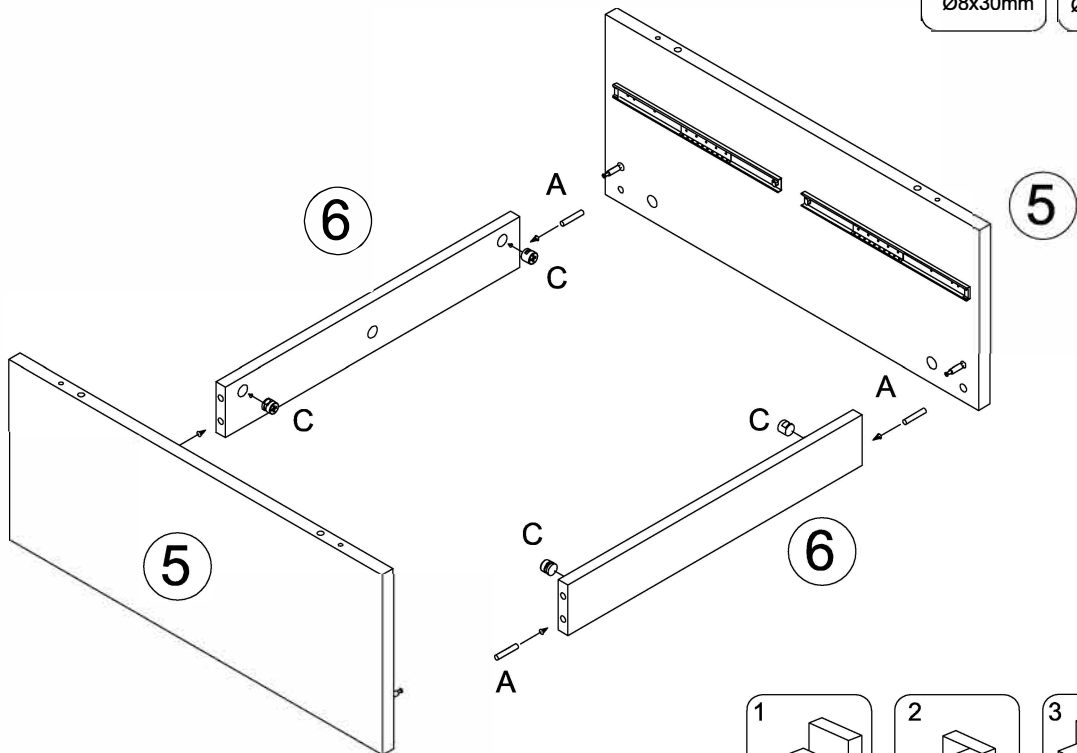


Step 4



A x 4

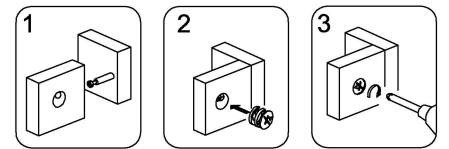
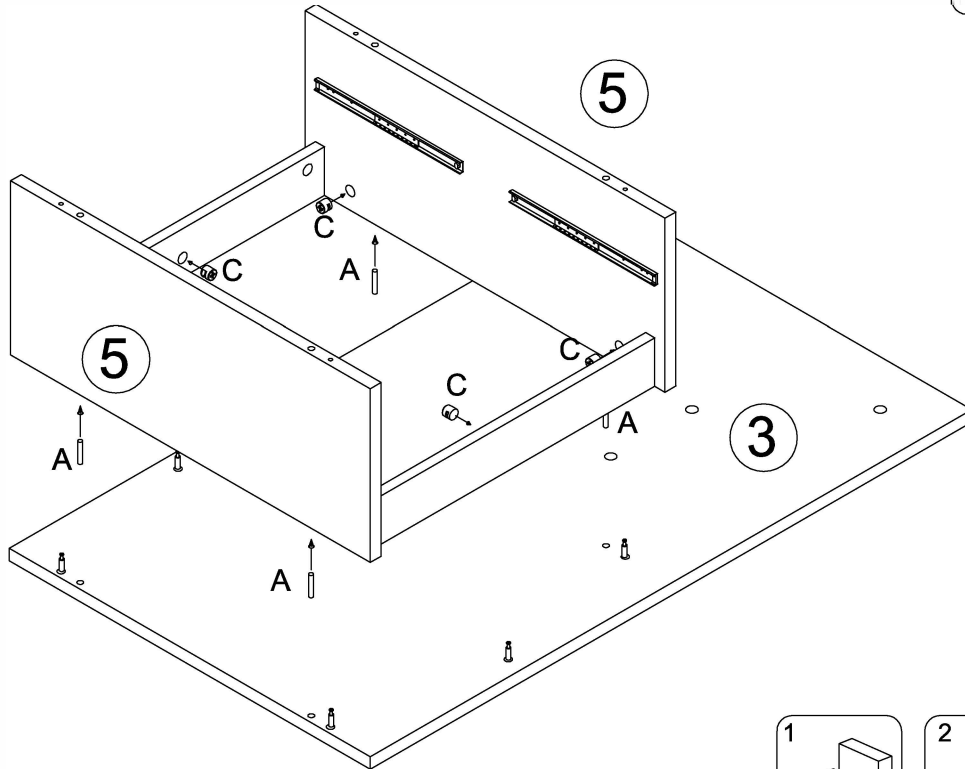


C x 4




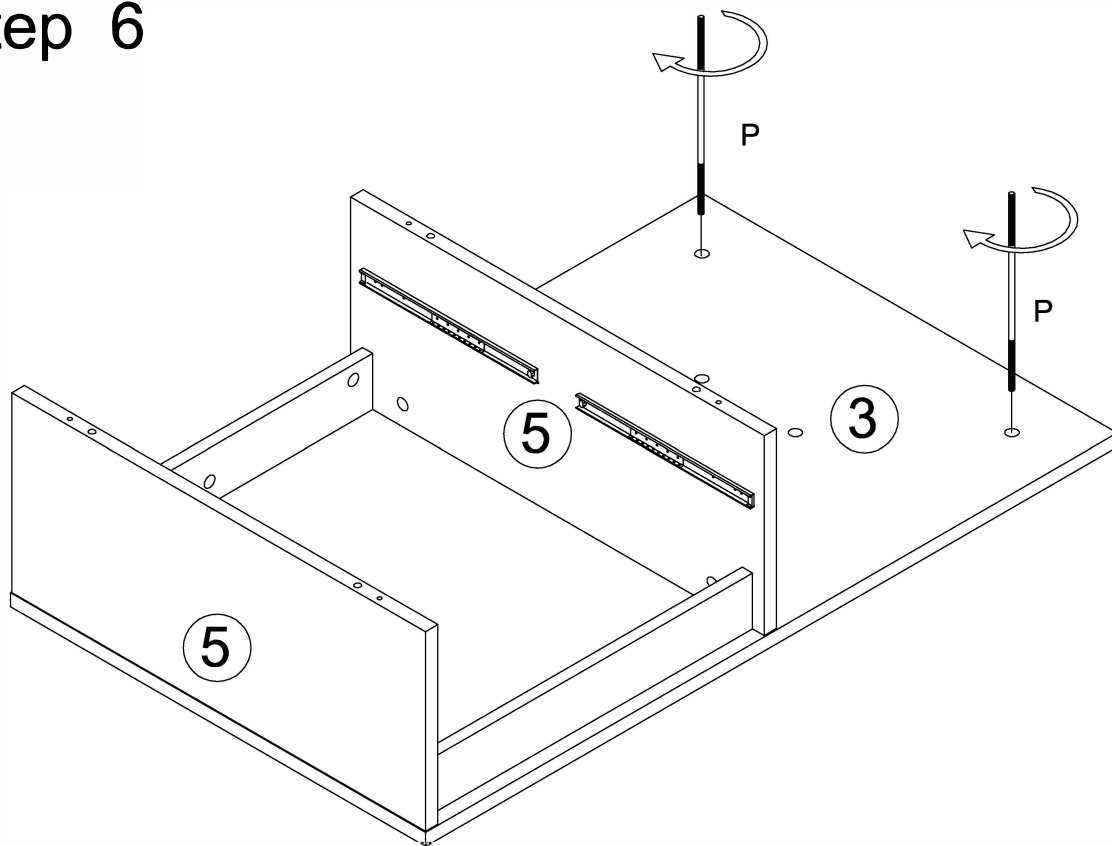
Step 5

A x 4	C x 6
	
Ø8x30mm	Ø15x11mm

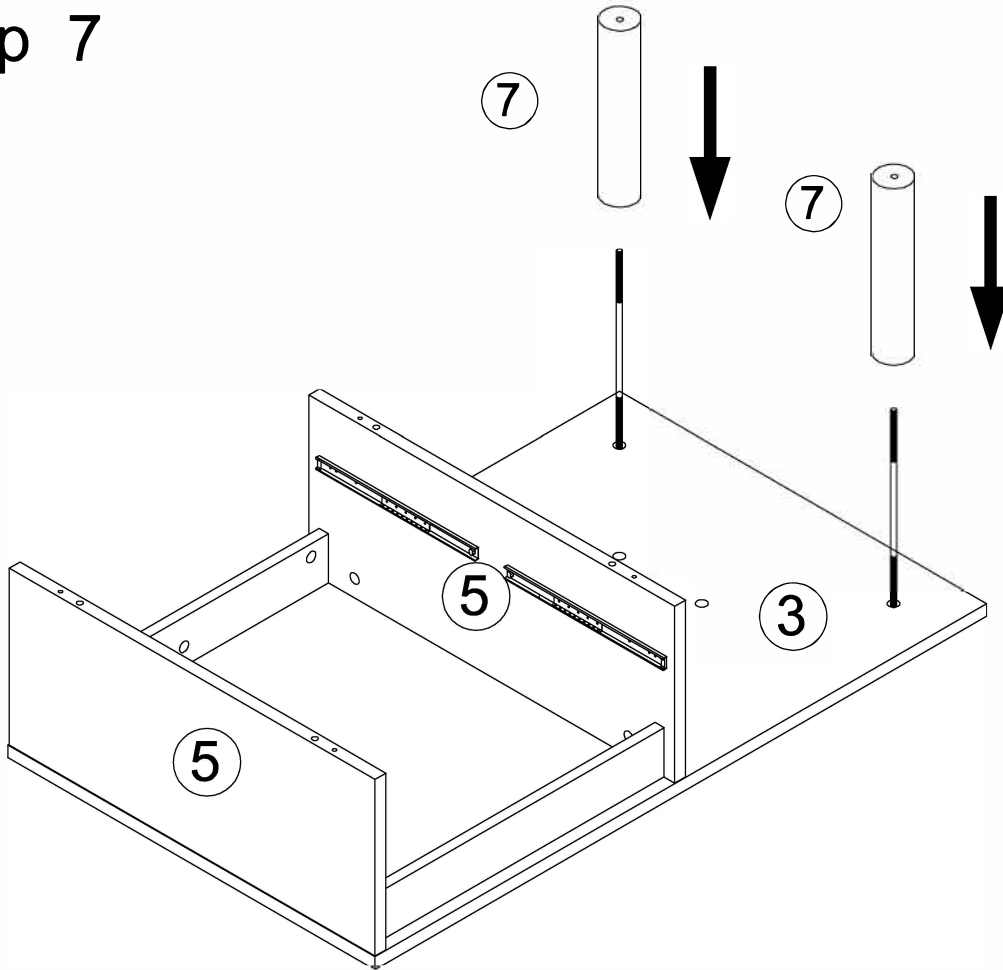


Step 6






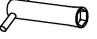
P x 2

M8x298mm

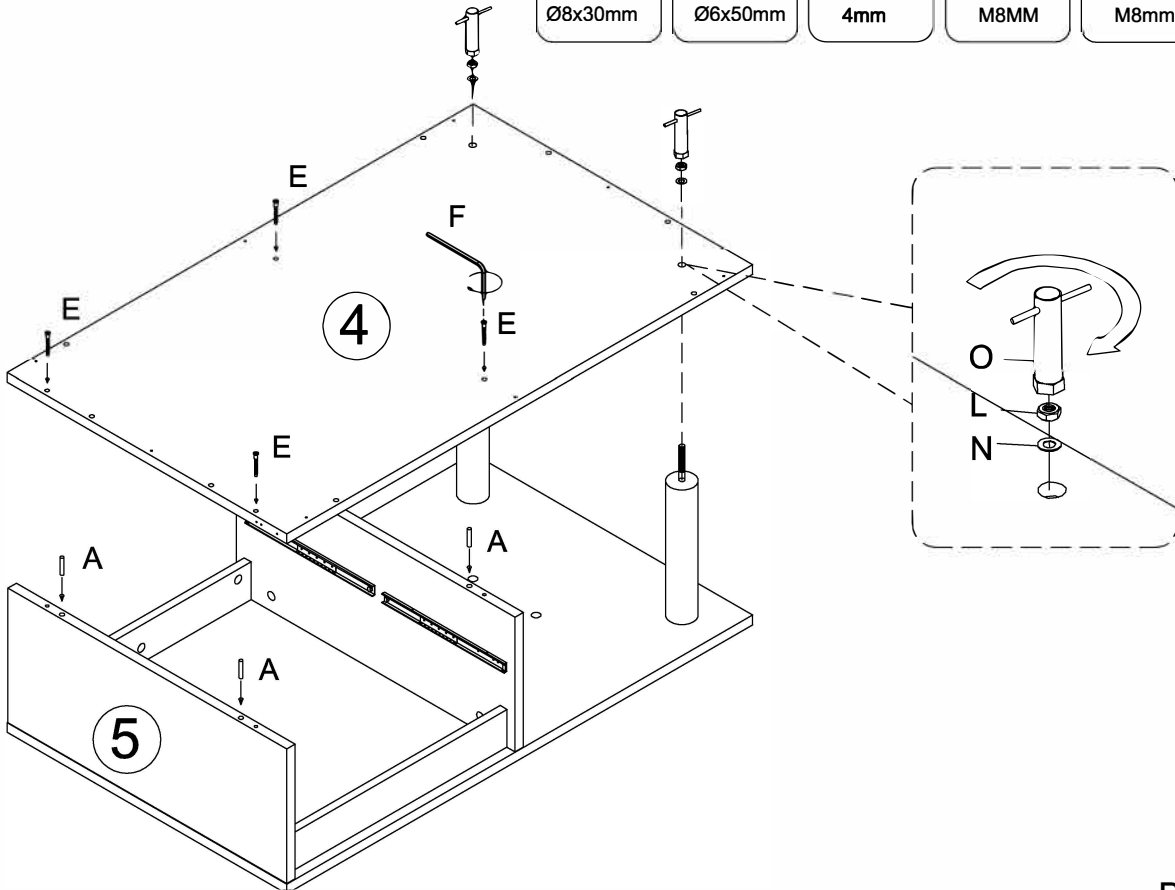


Step 7



Step 8

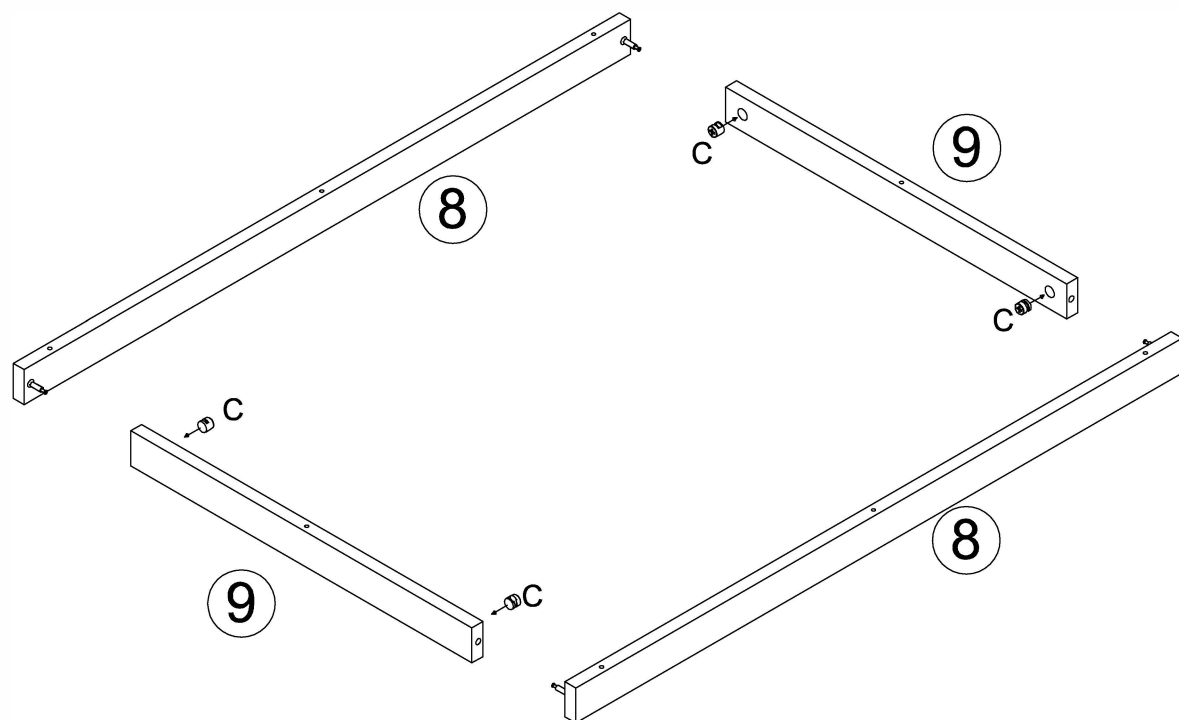
A x 4	E x 4	F x 1	L x 2	N x 2	O x 1
					
Ø8x30mm	Ø6x50mm	4mm	M8MM	M8mm	




Step 9


C x 4

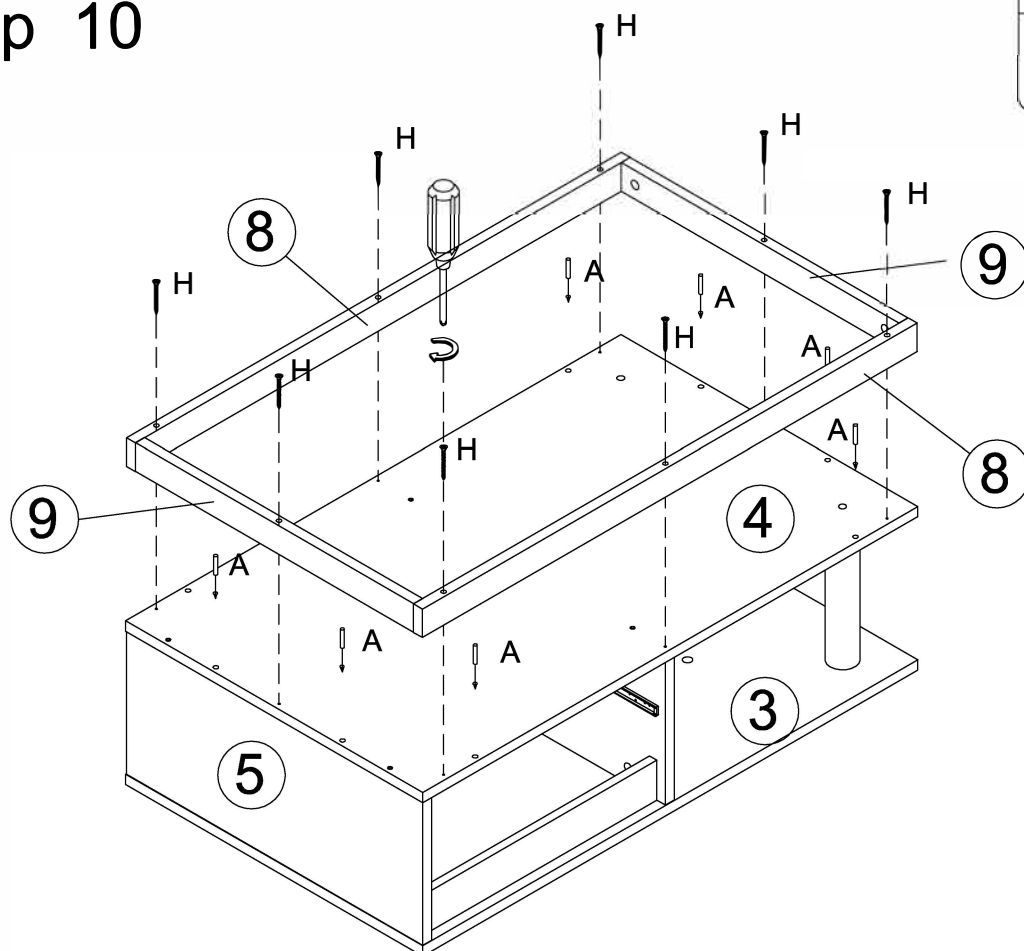
Ø15x11mm



Step 10

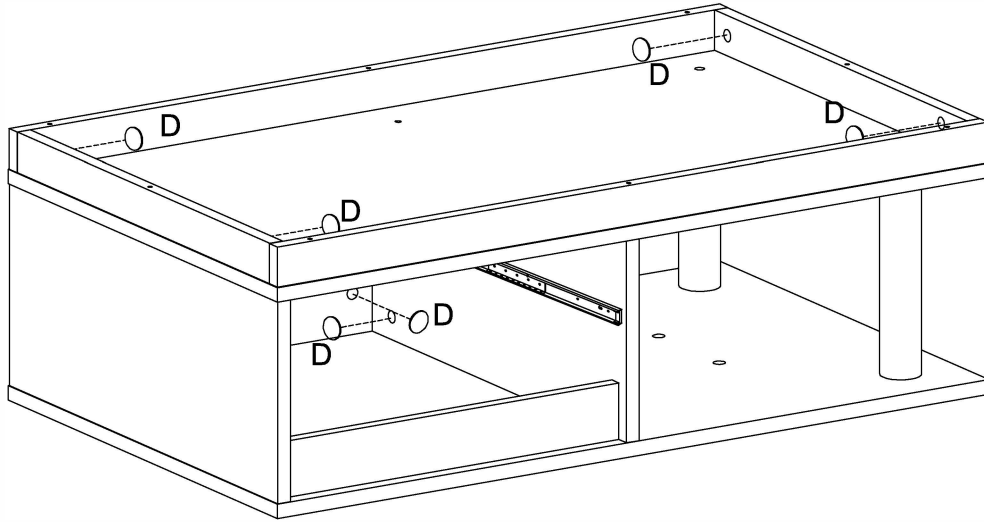
A x 8

Ø8x30mm

H x 8

Ø4x50mm



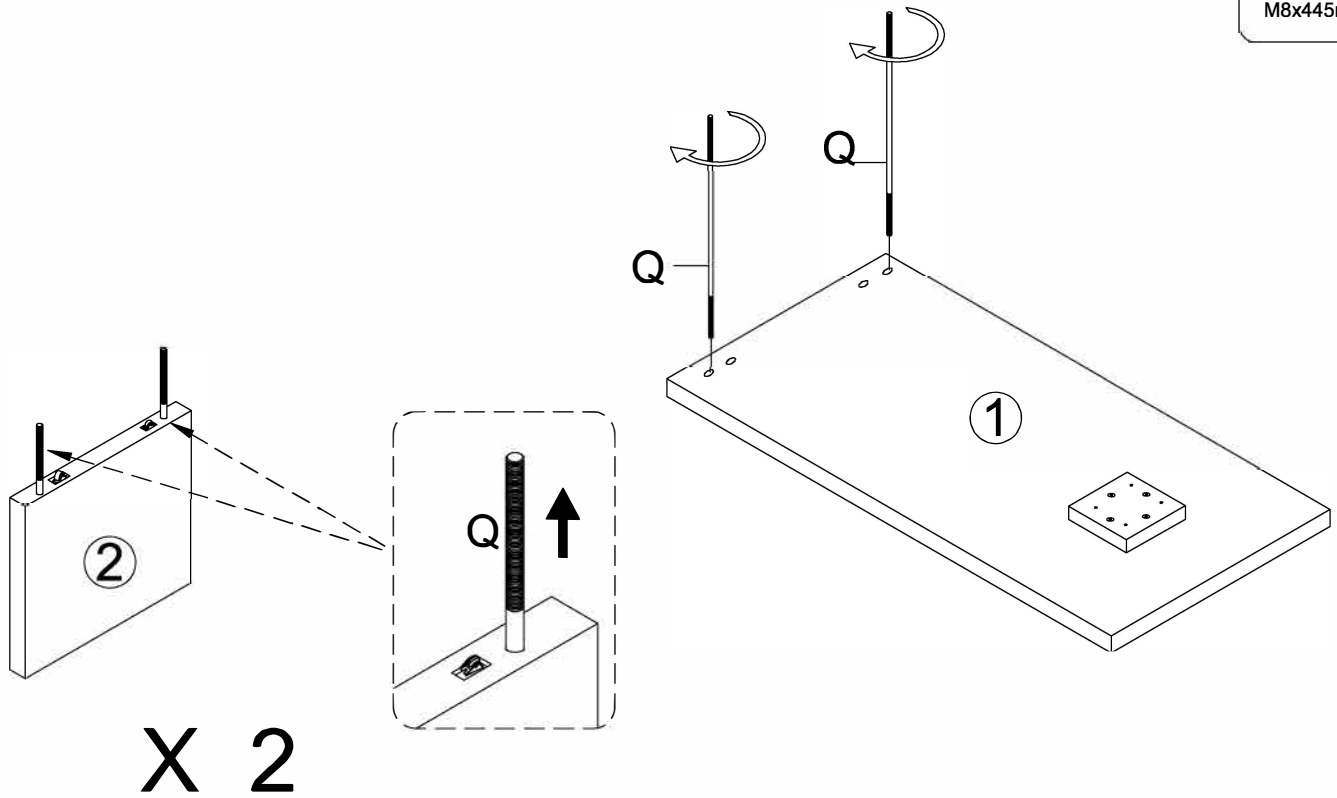
Step 11

D x 14
○




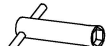


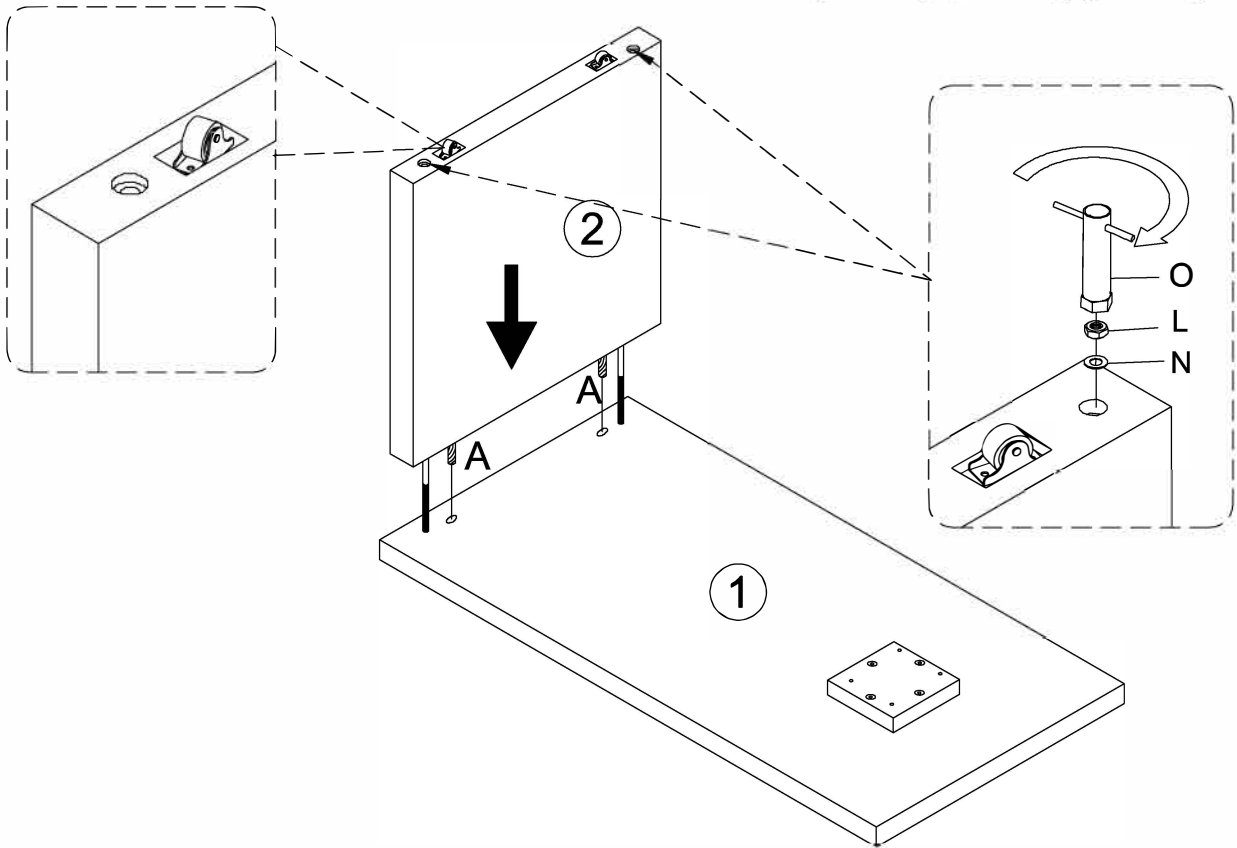
Step 12

Q x 2
—
M8x445mm





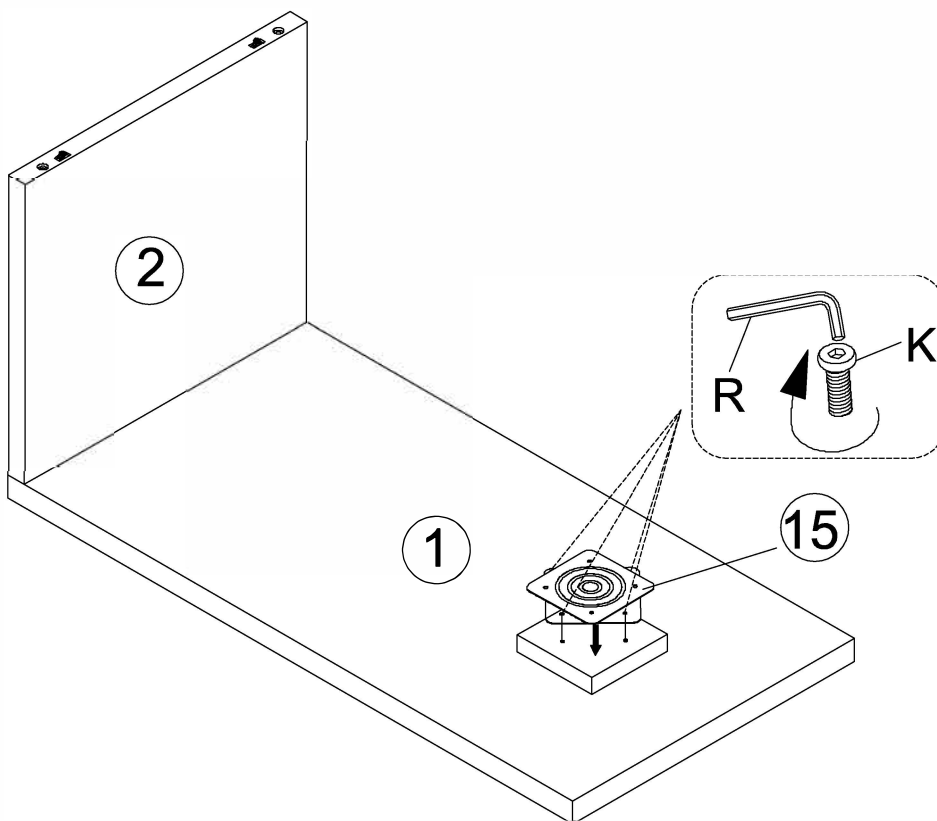
Step 13

A x 2  Ø8x30mm	L x 2  M8mm	N x 2  M8mm	O x 1 
--	--	--	--



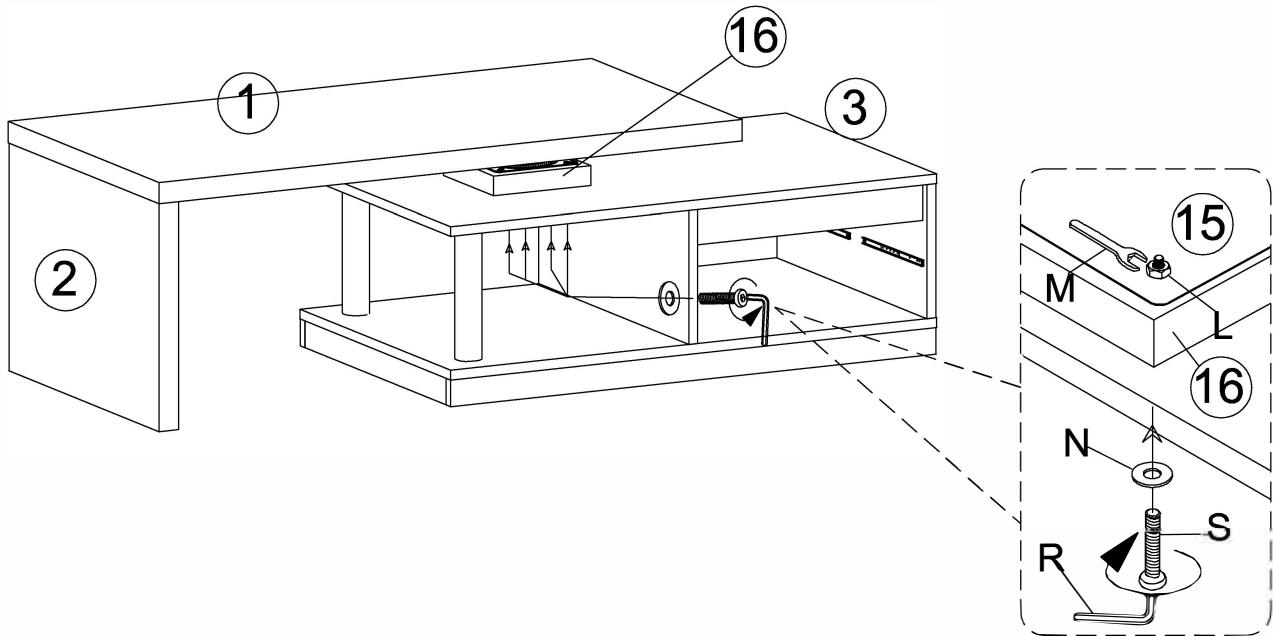
Step 14

R x 1  5mm	K x 4  M8x20mm
---	---



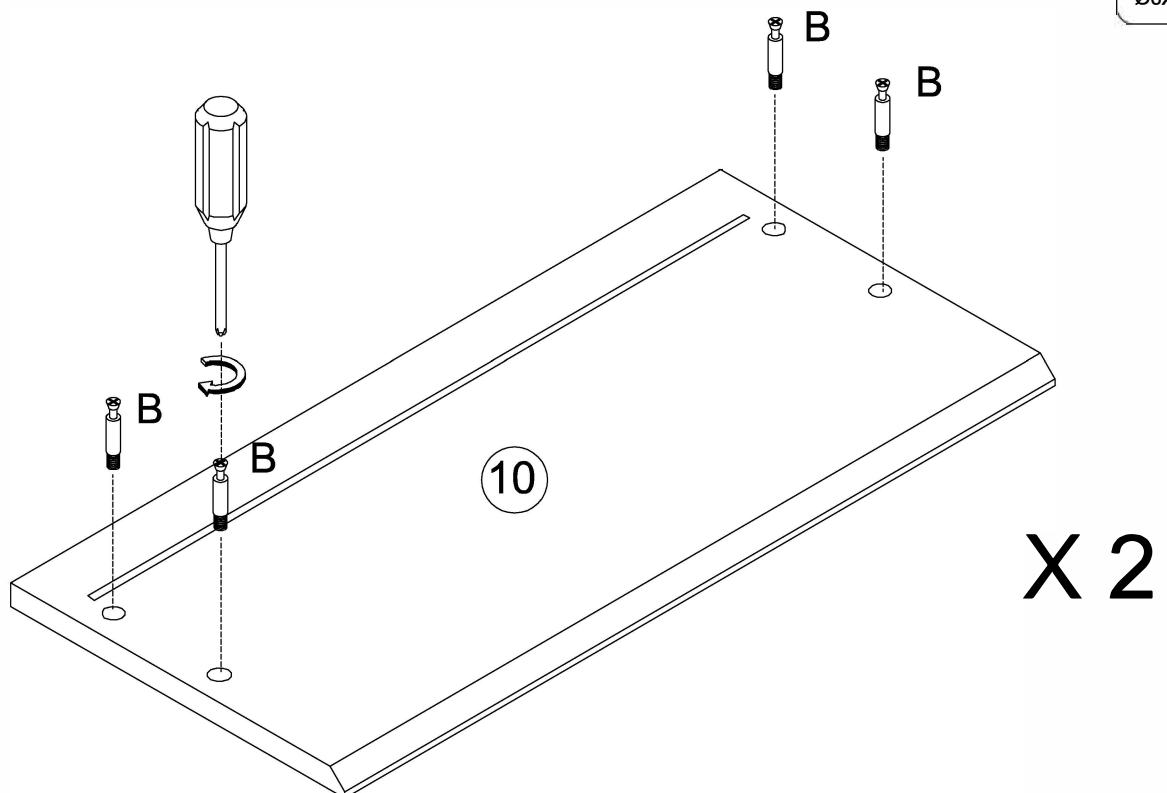
Step 15

L x 4 M8mm	M x 1	N x 4 M8mm	R x 1 5mm	S x 4 M8x70mm
---------------	-------	---------------	--------------	------------------



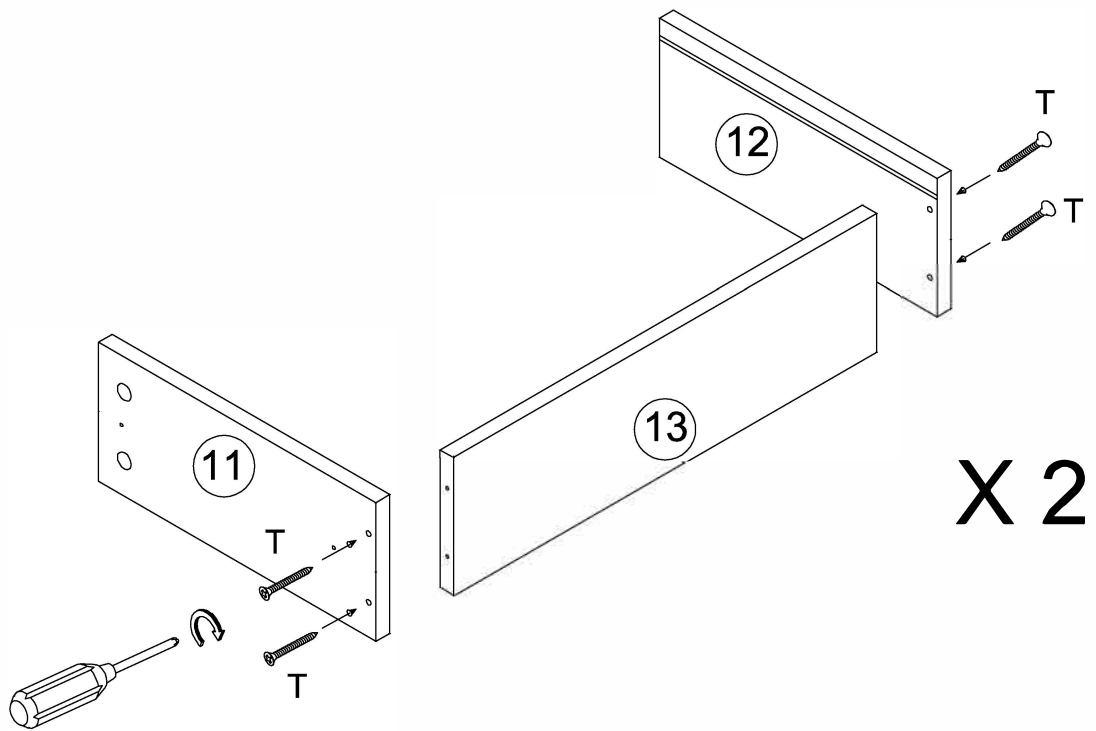
Step 16

B x 8 Ø6x35mm

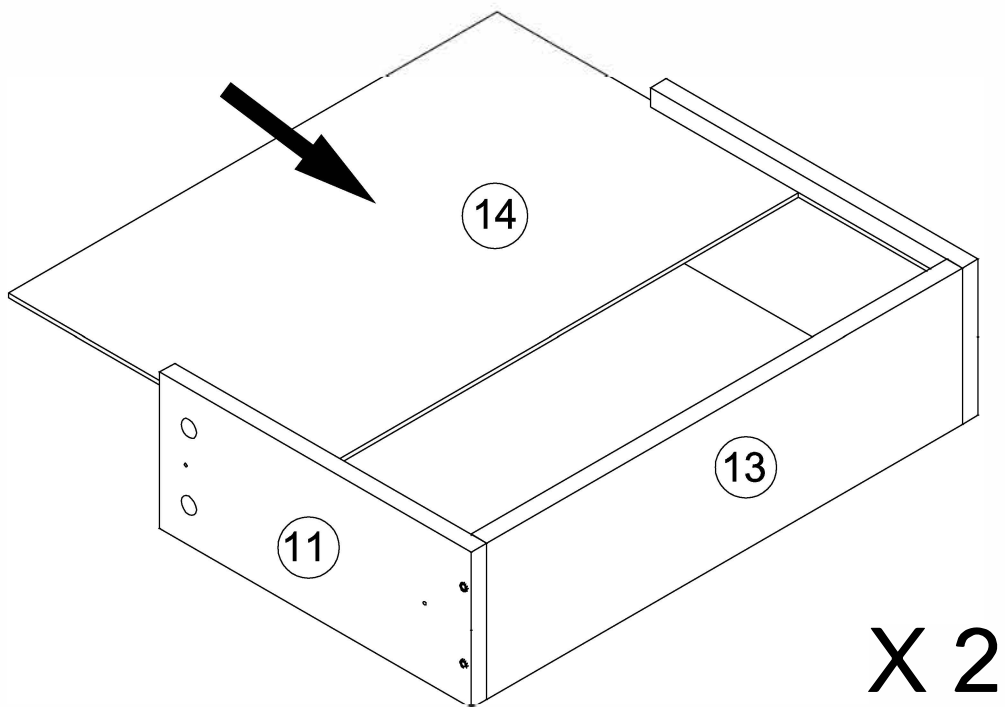


Step 17

T x 8
Ø4x30mm

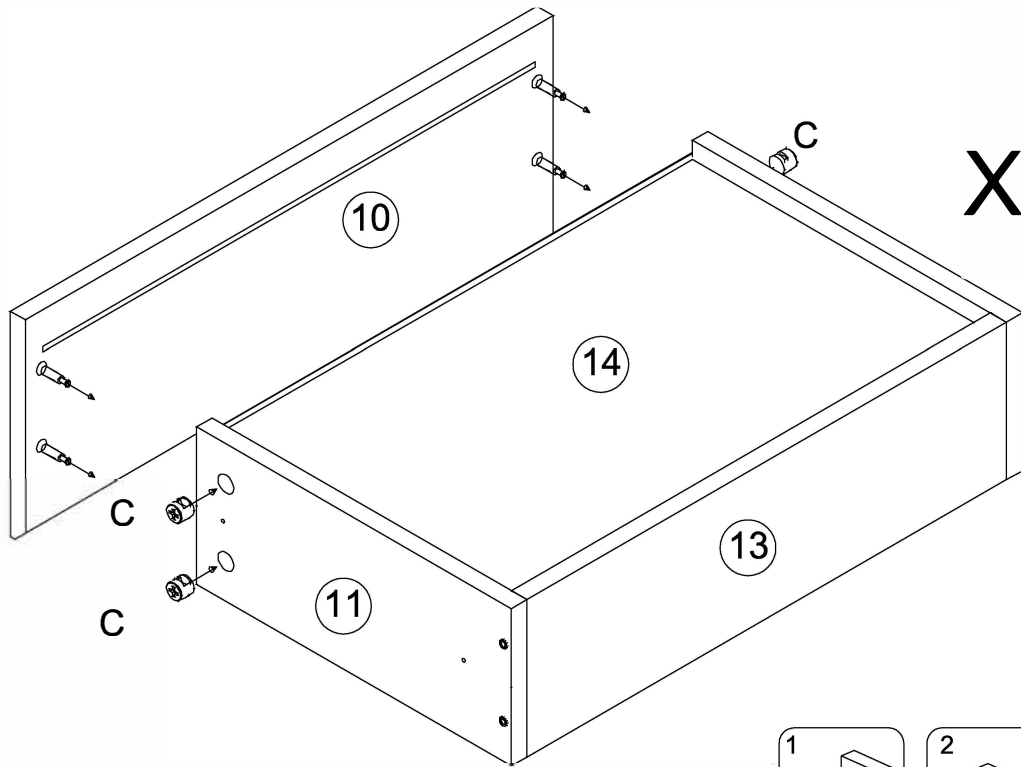


Step 18

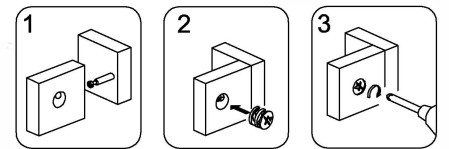


Step 19

C x 8
Ø15x11mm

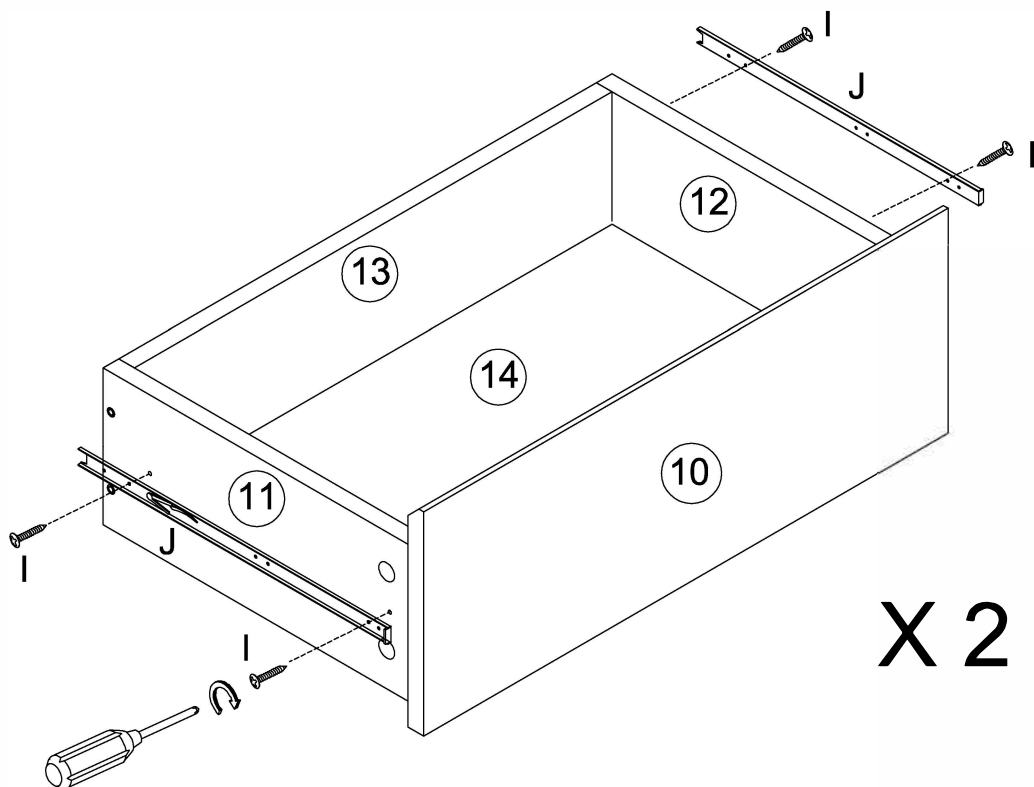


X 2



Step 20

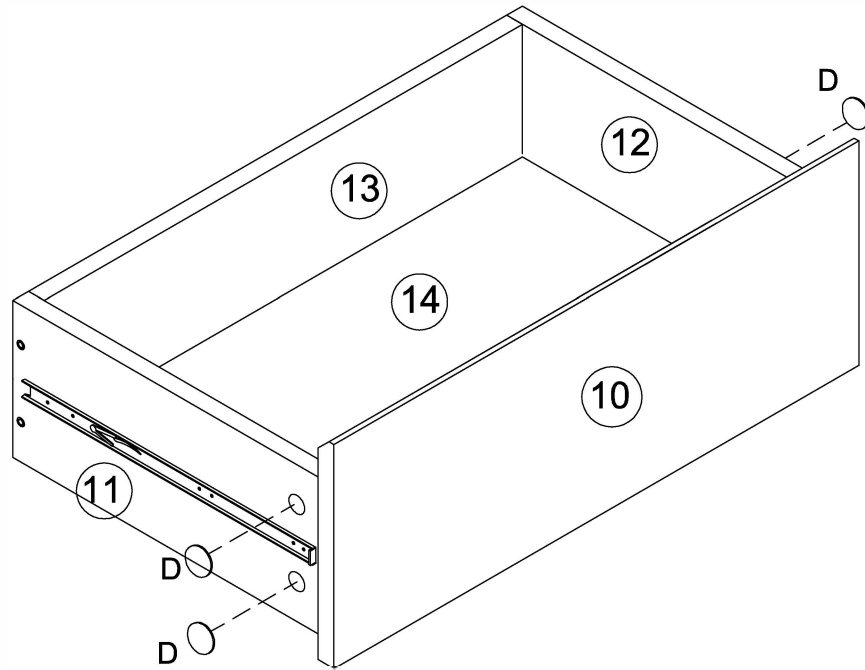
J x 2
I x 8
Ø3.5x14mm



X 2

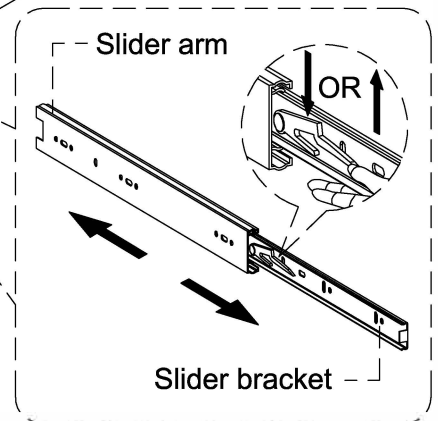
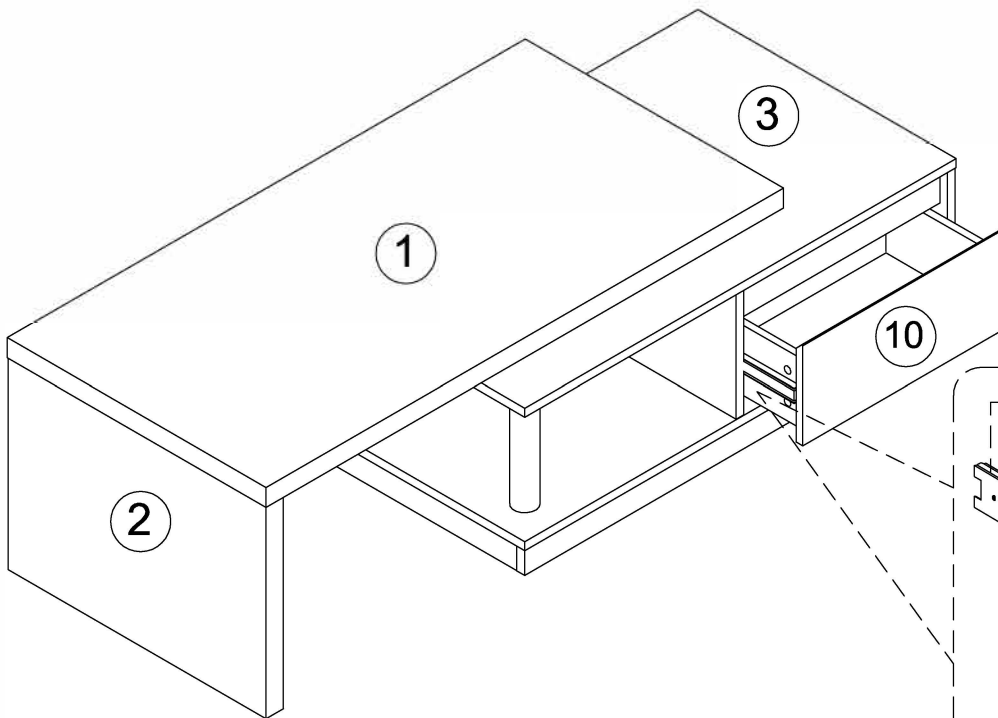
Step 21

D x 8
○

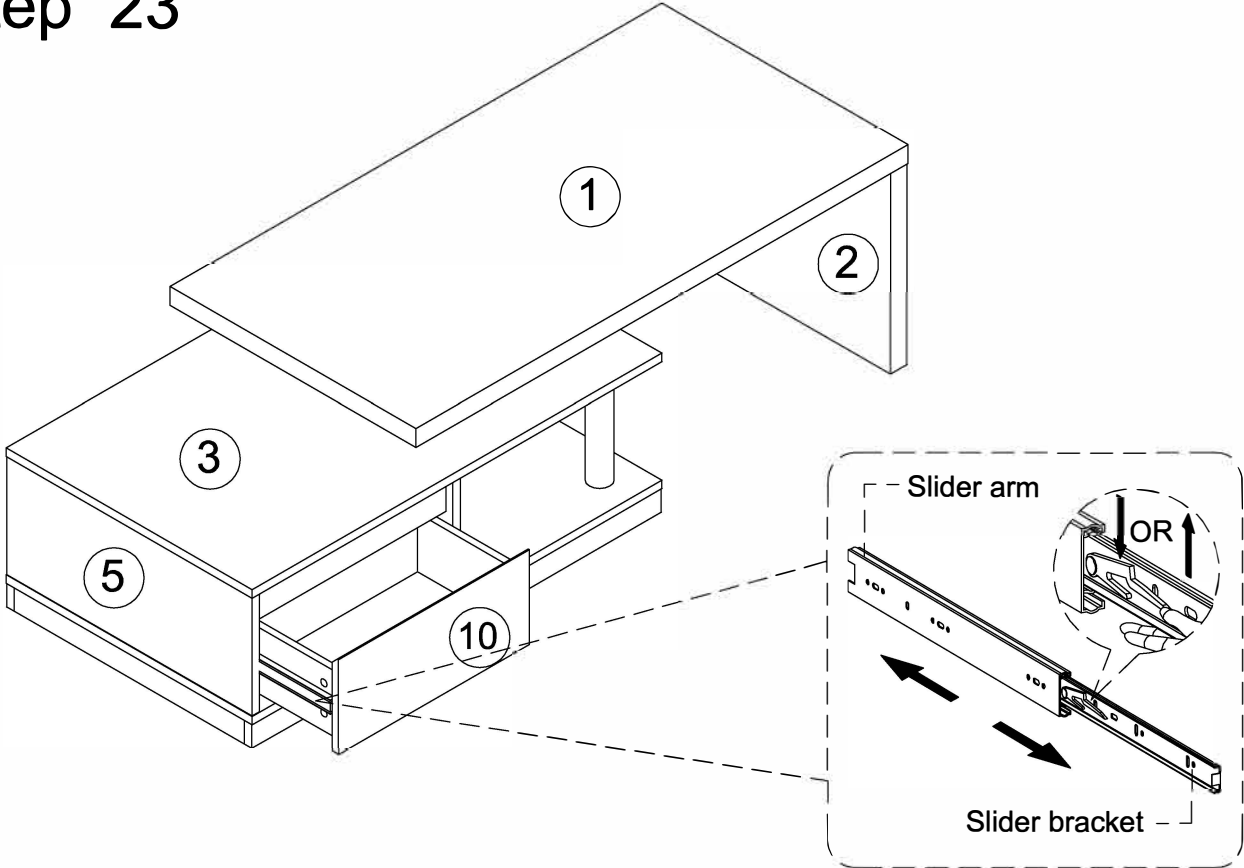


X 2

Step 22



Step 23



Step 24

