



INLIGHT is registered trademarks of Inlight Co. Ltd. All Rights Reserved.

Installation Guide

Swivel Design LED Puck Light Kit

Model #
IN-0107-3-XX-XX



Questions, problems, missing parts?

Contact the customer service department at info@getinlight.com

We commit to respond to emails within 24 hours - and sooner, if possible!

We are devoted to solving problems and offering the best service to our customers.



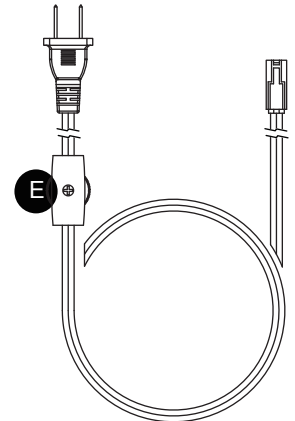
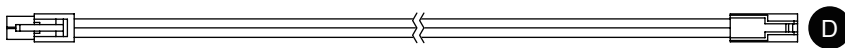
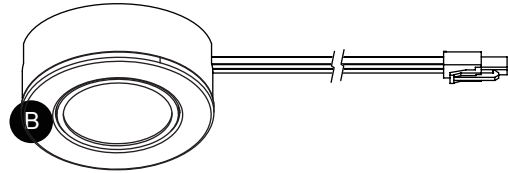
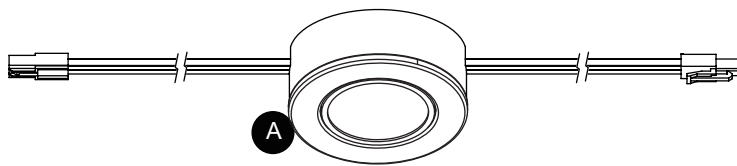
**PLEASE READ THESE INSTRUCTIONS BEFORE COMMENCING
INSTALLATION AND RETAIN FOR FUTURE REFERENCE.**



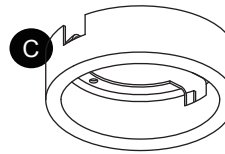
ATTACH YOUR RECEIPT HERE

Purchase Date _____

Package Contents



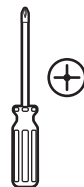
Piece	Description	Quantity
A	Puck light housing with a lead wire and tail wire	2
B	Puck light housing with a lead wire	1
C	Trim ring (preassembled to LED puck lights A&B)	3
D	Linking Cord	1
E	Power Cord	1



Hardware Contents



Tools required



Phillips Screwdriver



Drill

WARNING

These products may represent a possible shock or fire hazard if improperly installed or attached in any way. Products should be installed in accordance with these instructions, current electrical codes and/or current National Electric Code (NEC). To reduce shock of fire, electric shock or injury to persons, use only insulated staples or plastic ties to secure cords, route and secure cords so that they will not be pinched or damaged when the cabinet is pushed to the wall, position the portable cabinet light with respect to the cabinet so the lamp replacement marking are able to read during relamping. Not intended for installation in ceilings or soffits. The National Electrical Code (NEC) does not permit cords to be concealed where damage to insulation may go unnoticed. To prevent fire danger, do not run cord behind walls, ceilings, soffits or cabinets where it may be inaccessible for examination, cords should be examined periodically and immediately replaced when any damage is noted. To reduce the risk of fire, do not install in a compartment smaller than 6" X 6" X 6".

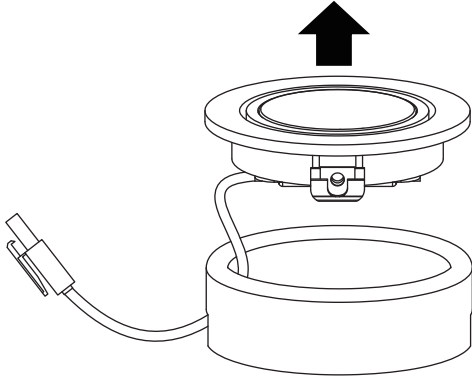
Warranty

Inlight offers a warranty of 5 years for the LED puck lights from the date of purchase that cover repair or replacement of defective parts of the housing, optics, and electronics. To contact Inlight customer service send an e-mail to info@getinlight.com. For more information on technical specifications and additional accessories visit our website: www.getinlight.com

Installation (Section A) - Surface Mounting (Wires under a shelf or cabinet)

1 Preparing for installation

- Separate the trim ring (C) by pushing the back of the LED puck housing (B).

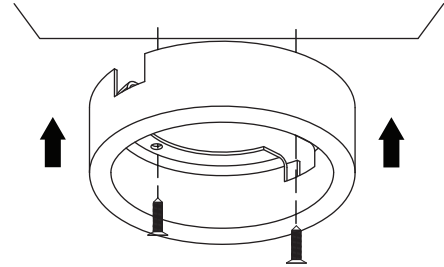


2 Installing the trim rings

- Install the trim ring (C) to the bottom side of the cabinet by inserting two mounting screws (AA) into the mounting holes on the bottom of each trim ring (C).

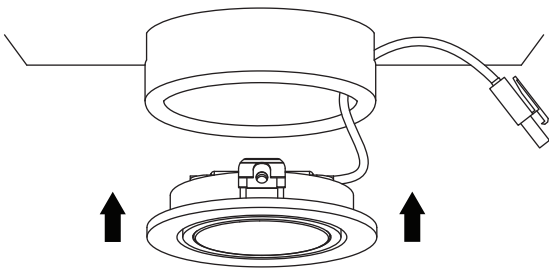
Note:

Do not fully tighten the screws into the trim ring as the cords from the LED puck housing will need to be pulled through the hotches on the trim ring before securing.



3 Installing the first LED puck light

- Take the cord from the LED puck housing (B) and feed the cord through the outlet hole of the trim ring (C). Do not pull the cord tight just yet, as you need to leave space to screw in the trim ring (C).
- Tighten the screws (AA) and push the LED puck housing (B) into the trim ring (C) while pulling the cord tight.

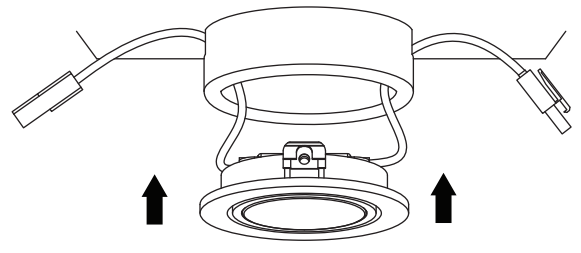


4 Installing the remaining two LED assemblies

- Repeat steps 1 to 3 to install the remaining two LED puck housing (A).

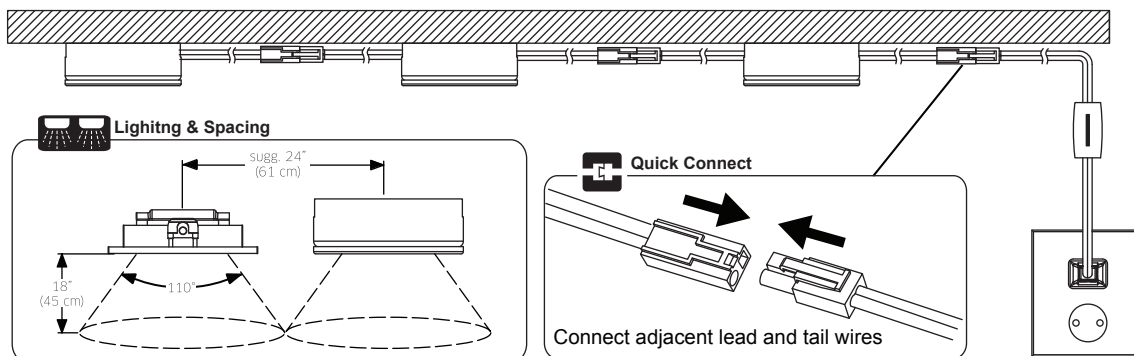
Note:

- 1) Make sure the LED puck housings are installed in the same direction so that they will be connected with ease.
- 2) Measure the distance of every LED puck housing before installation.



5 Connecting the LED puck lights

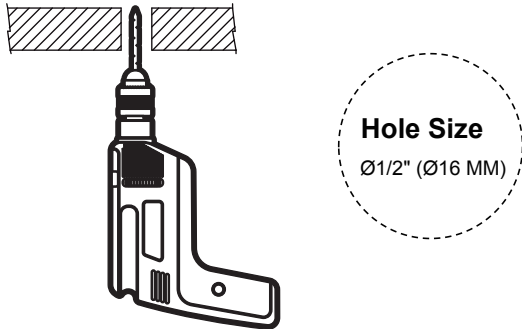
- Connect the LED puck lights with each other. Connect the power cord (E) to the fixtures.



Installation (Section B) - Surface Mounting (Wires on top of a shelf)

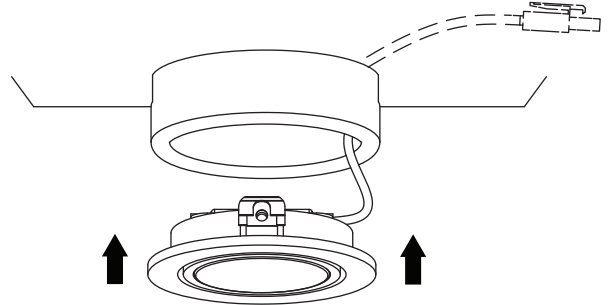
1 Preparing for installation

- Locate positions where LED pucks are to be mounted.
- Use the enclosed template to drill 1/2" hole to pass the connector through the shelf.



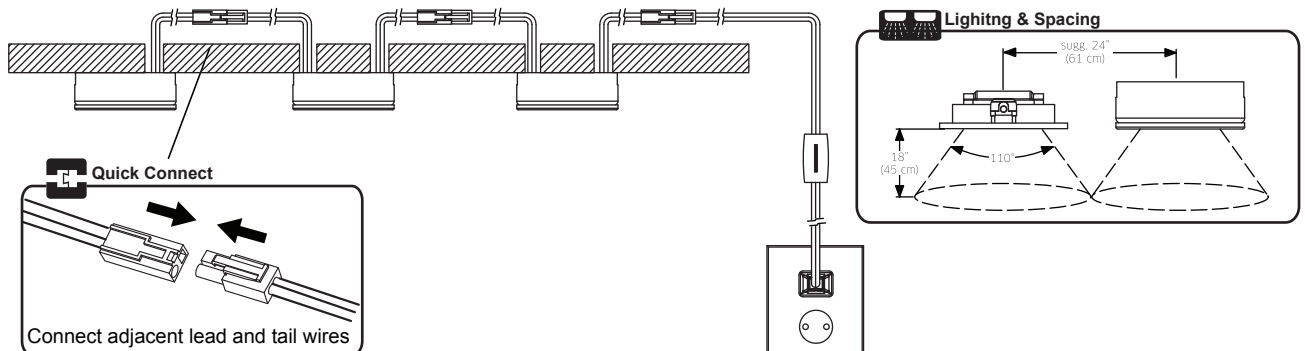
2 Installing the trim rings

- Repeat step 1 if necessary, you need 1 hole for puck light with a lead wire, and 2 holes for pucklight with a lead wire and a tail wire.
- Thread the wire from the LED puck housing through the hole and compress the springs and push the LED puck housing (B) in the trim ring (C).



3 Connecting the LED puck lights

- Repeat steps 1 and 2 to install the remaining two LED pucks (A).
- Connect the LED puck lights with each other. Connect the power cord (E) to the fixtures.

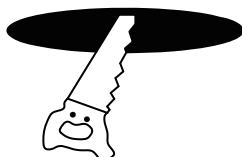


Installation (Section C) - Recessed Mounting

1 Preparing for installation

- Locate positions where LED pucks are to be mounted.
- Separate the trim ring (C) by pushing on the back of the LED puck housing (B).
- Use the enclosed template to drill a 2-3/8" hole.

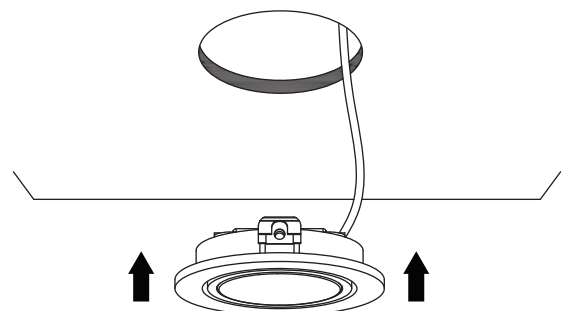
Note: Ensure that you measure the distance of every LED puck housing before drilling the installation holes. The minimum distance between every LED housing must be at least 6 inch.



Hole Cut Size
MIN. Ø2-5/16" (Ø59 MM)
Ø2-3/8" (Ø60 MM)
MAX. Ø2-7/16" (Ø62 MM)

2 Installing the LED puck lights

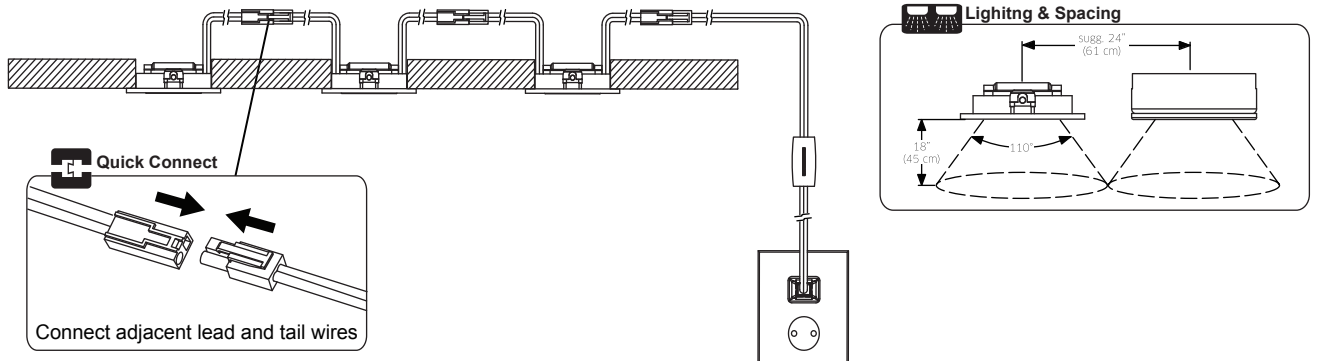
- Thread the wires from the LED puck housing (B) through the hole and insert the fixture into the hole. Repeat steps 1 and 2 for the remaining two LED puck housing (A).



Installation (Section C) - Recessed Mounting

3 Connecting the LED puck lights

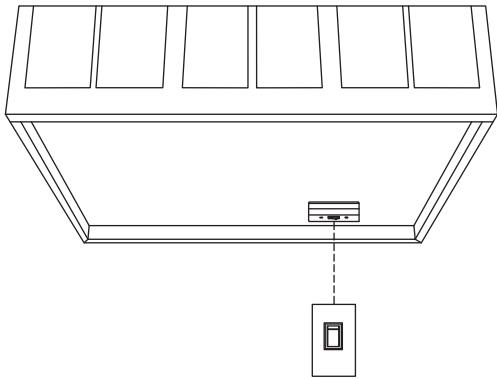
Connect the LED puck housing with each other. Connect the power cord (D) to the fixtures.



Installation (Section D) - Hardwired with Junction box (sold separately)

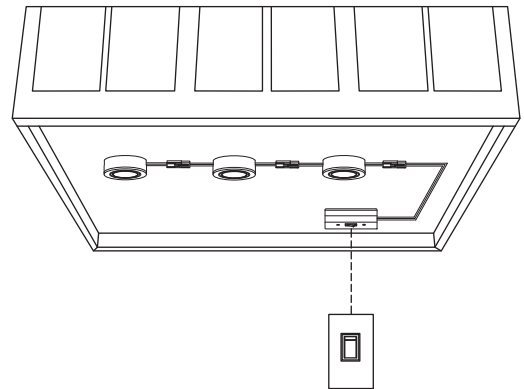
1 Installing the junction box (sold separately)

- Turn power OFF from the electrical panel before starting installation.
- Follow the directions for installing a junction box (IN-0501-3), installation instruction is included in the package of junction box.



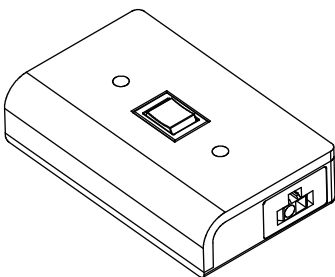
2 Installing the LED puck lights

- Follow the directions above to mount the puck lights.
- Connect the linking cord to the junction box.



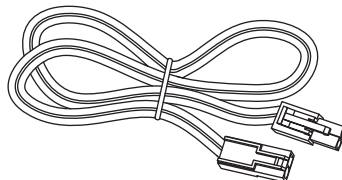
Compatible accessories (sold separately)

Junction box (3-15/16" X 2-5/16" X 15/16")
Used to power LED puck lights using linking cord. Includes ON/OFF switch.



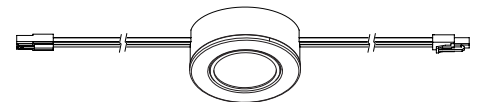
IN-0501-3: Junction Box, White
IN-0501-3-BZ: Junction Box, Bronze

Linking Cord
Extension cord to connect between two 120V LED pucks.



JC2-12-WH: 12" Extension Cord, White
JC2-24-WH: 24" Extension Cord, White
JC2-32-WH: 32" Extension Cord, White
JC2-60-WH: 60" Extension Cord, White
JC2-12-BK: 12" Extension Cord, Black
JC2-24-BK: 24" Extension Cord, Black
JC2-32-BK: 32" Extension Cord, Black
JC2-60-BK: 60" Extension Cord, Black

Bulk Puck
Additional puck for 3 puck light kit, bulk pucks include 6" lead wire and 6" tail wire, power cord is not included in this item.



IN-0107-1: Bulk Puck, White, 2700K
IN-0107-1-BZ: Bulk Puck, Bronze, 2700K
IN-0107-1-SN: Bulk Puck, Brushed Nickel, 2700K
IN-0107-1-40: Bulk Puck, White, 4000K
IN-0107-1-BZ-40: Bulk Puck, Bronze, 4000K
IN-0107-1-SN-40: Bulk Puck, Brushed Nickel, 4000K