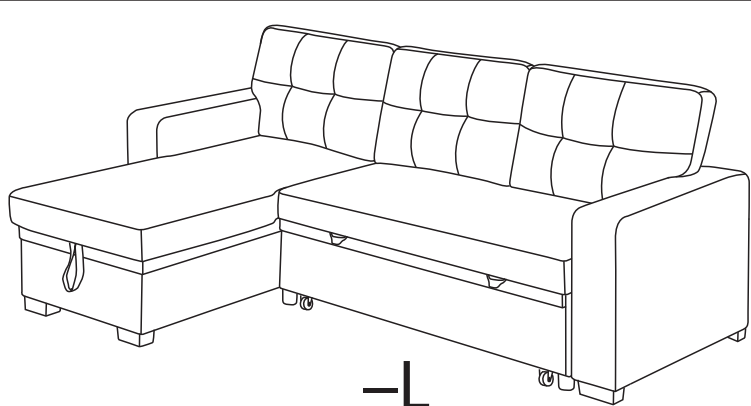
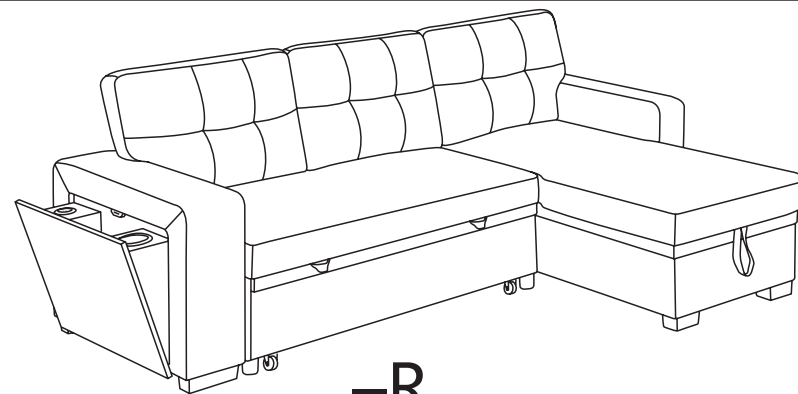


# ASSEMBLY INSTRUCTION

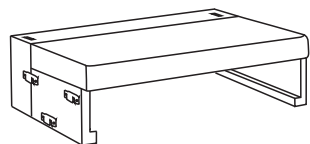


-L



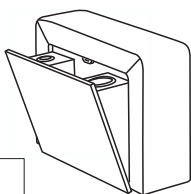
-R

## PARTS LIST



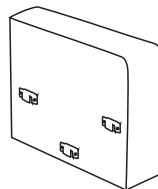
**A**

X1



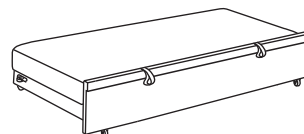
**B**

X1



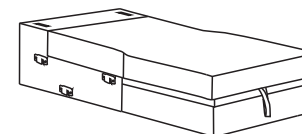
**C**

X1



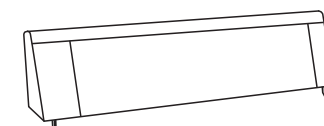
**D**

X1



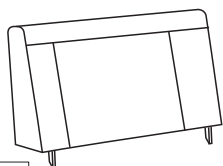
**E**

X1



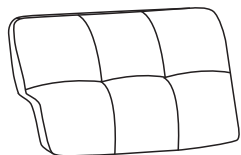
**F**

X1



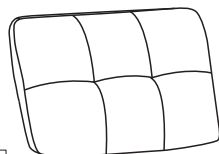
**G**

X1



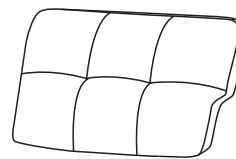
**H**

X1



**I**

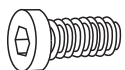
X1



**J**

X1

## HARDWARE LIST



M6X25

**1**

X8



M4

**2**

X1



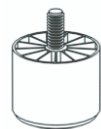
**3**

X4



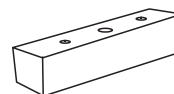
**4**

X4



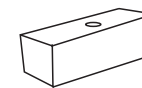
**5**

X6



**6**

X2



**7**

X4



M8X60

**8**

X6

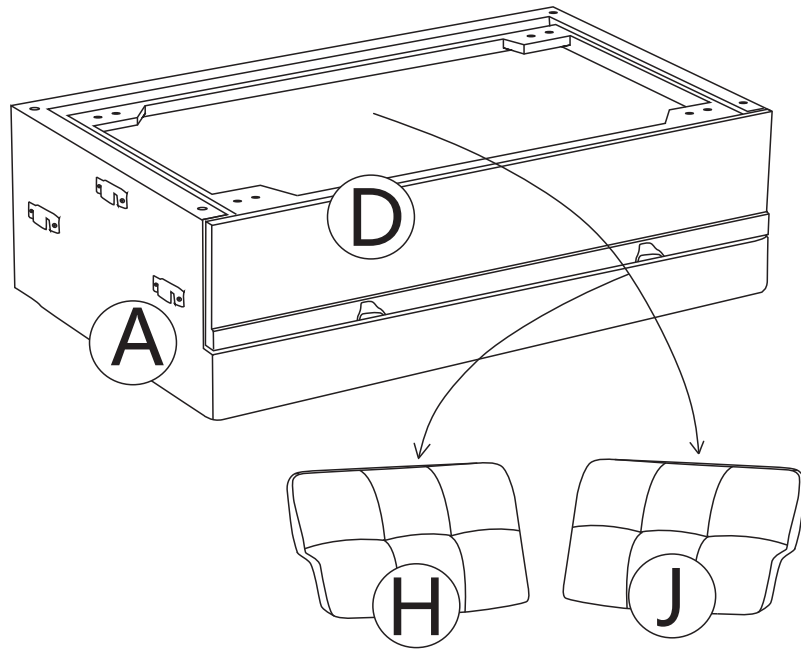


M5

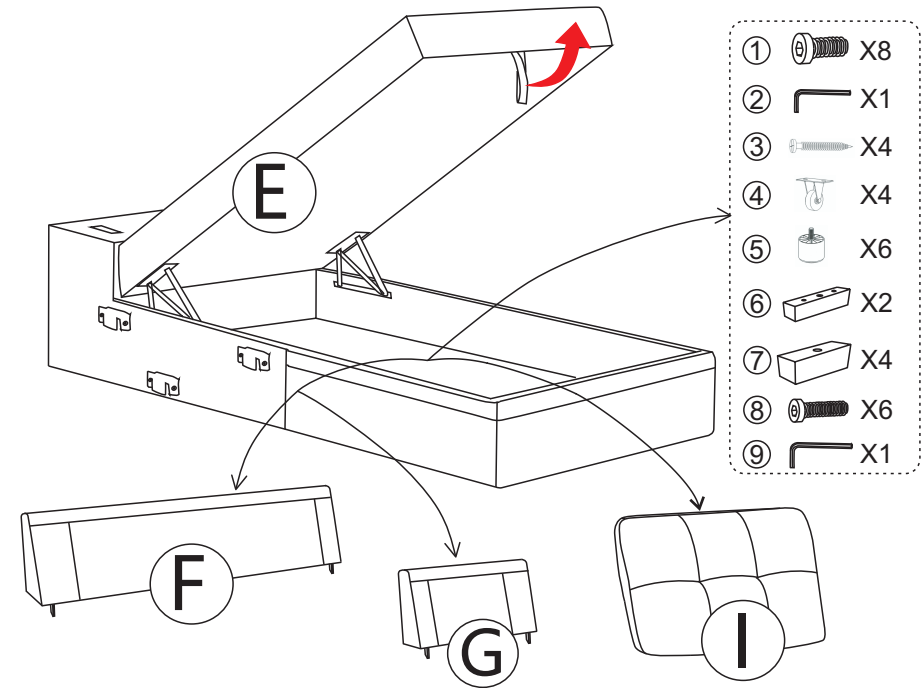
**9**

X1

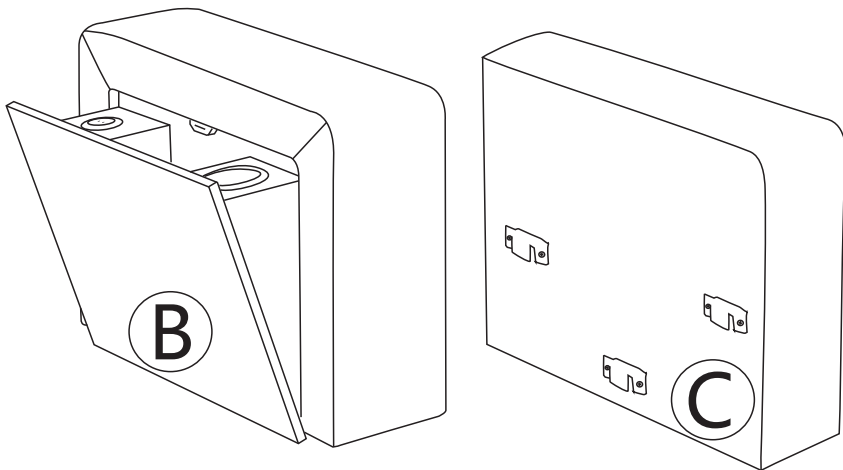
## BOX -1 HARDWARE LIST



## BOX -2 HARDWARE LIST



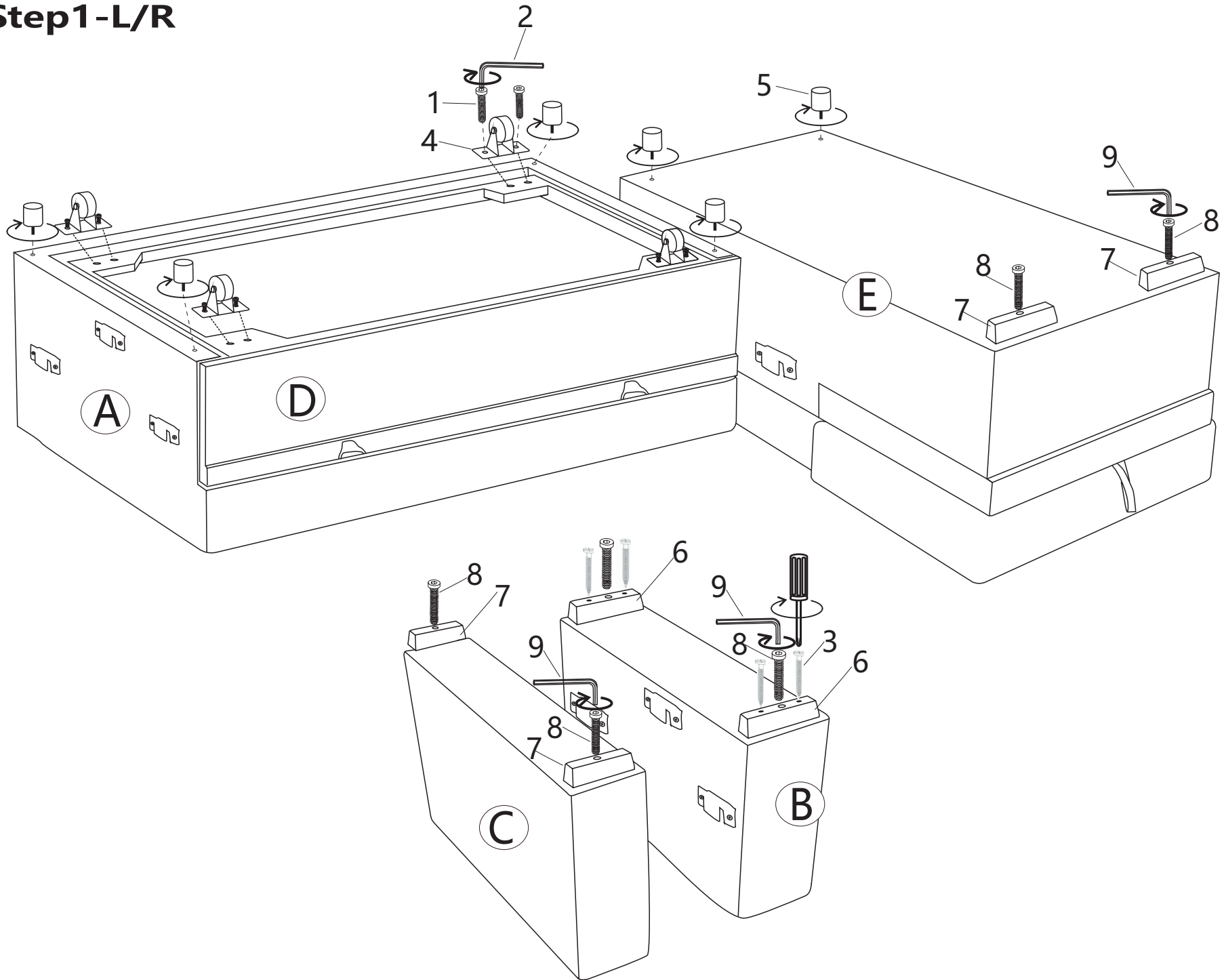
## BOX -3 HARDWARE LIST



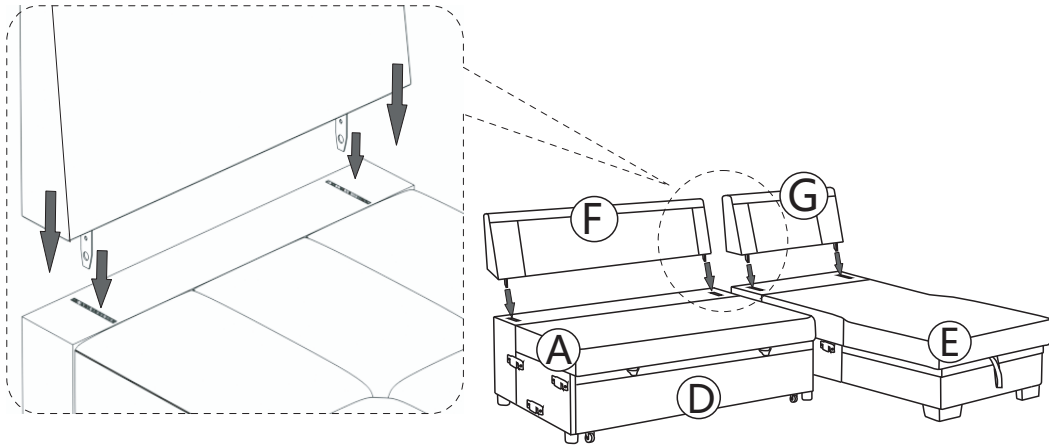
## Unpacking steps:

1. BOX-2
2. BOX-1
3. BOX-3

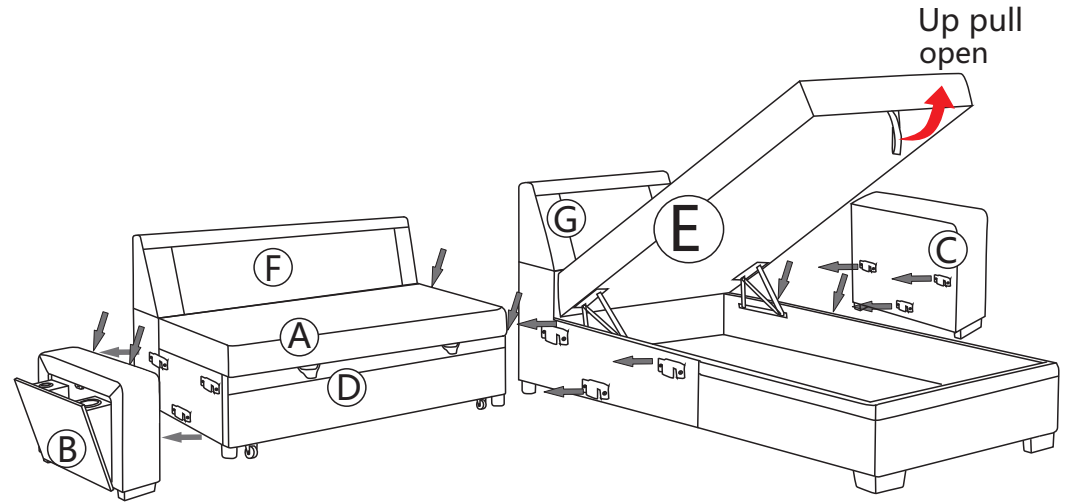
# Step1-L/R



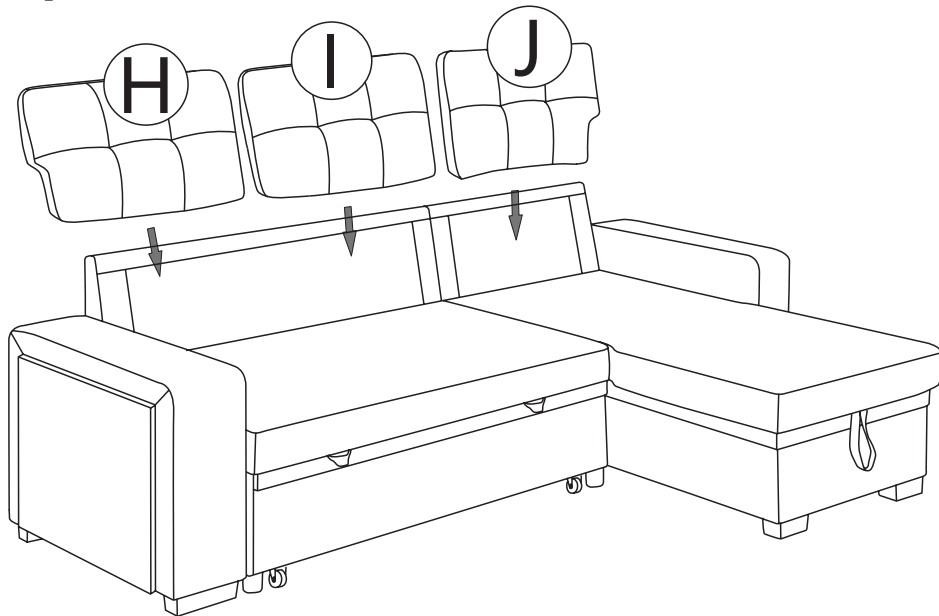
### Step2-L/R



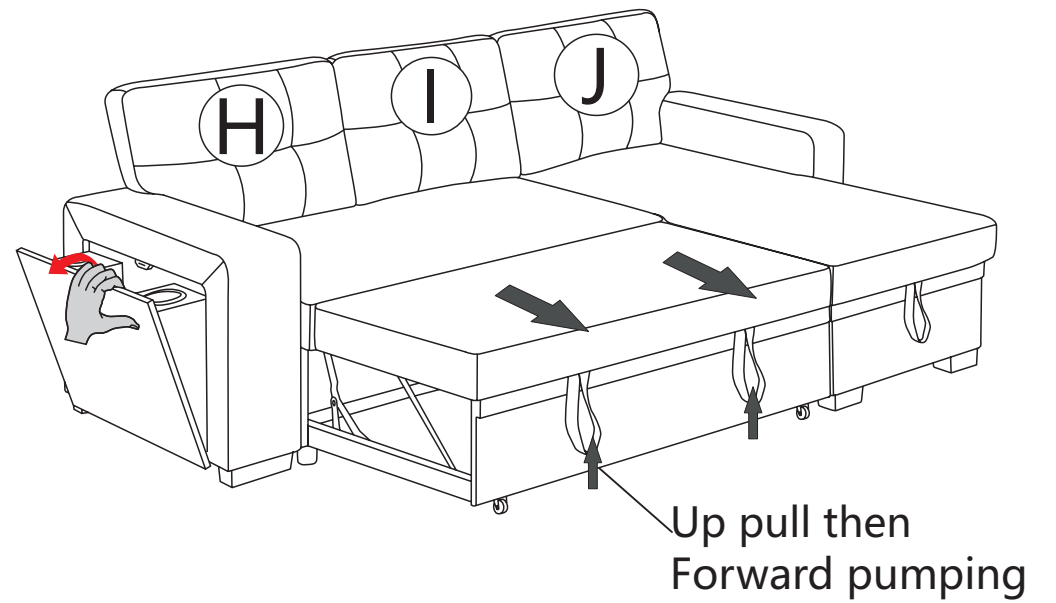
### Step3-R



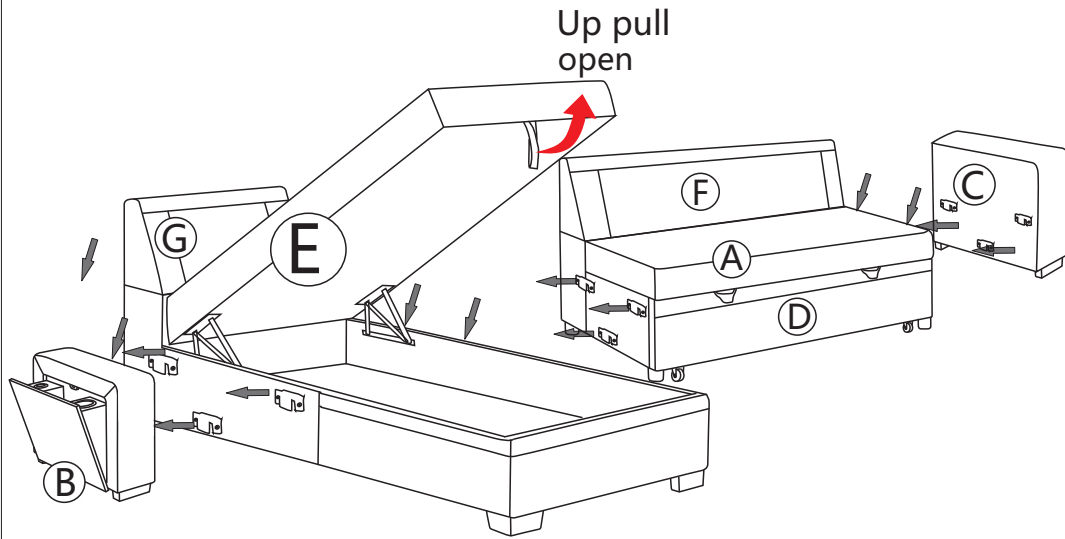
### Step4-R



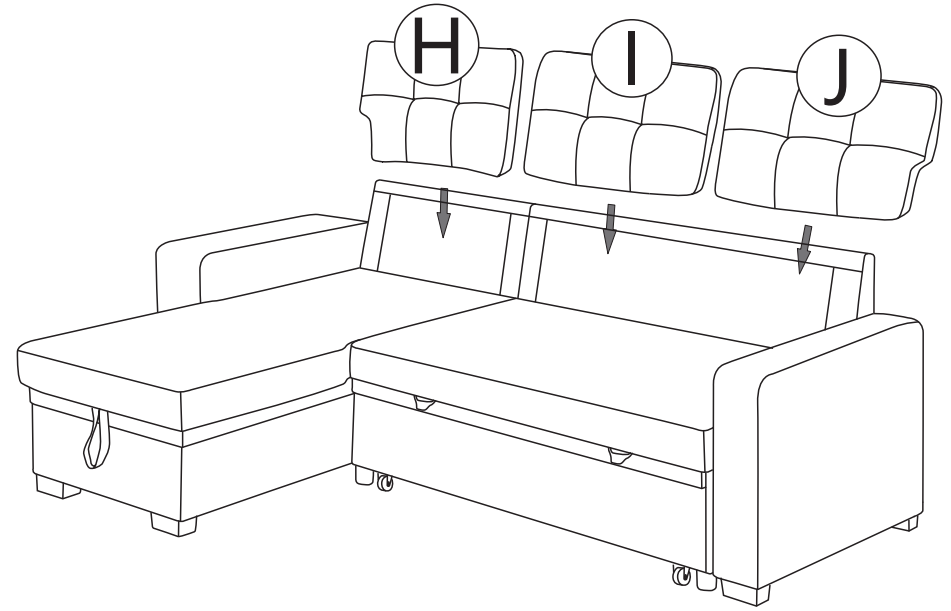
### Step5-R



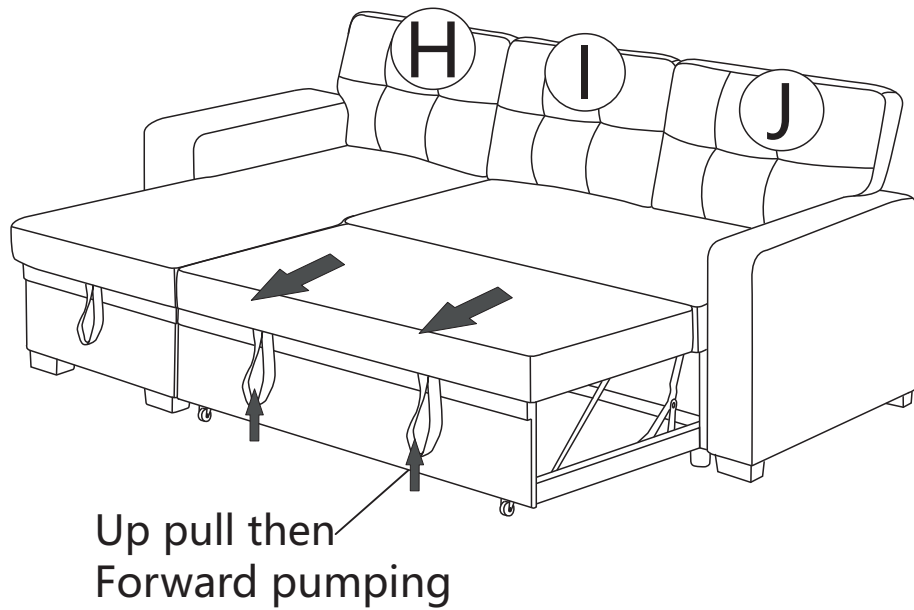
### Step3-L



### Step4-L



### Step5-L



### Step6-L

