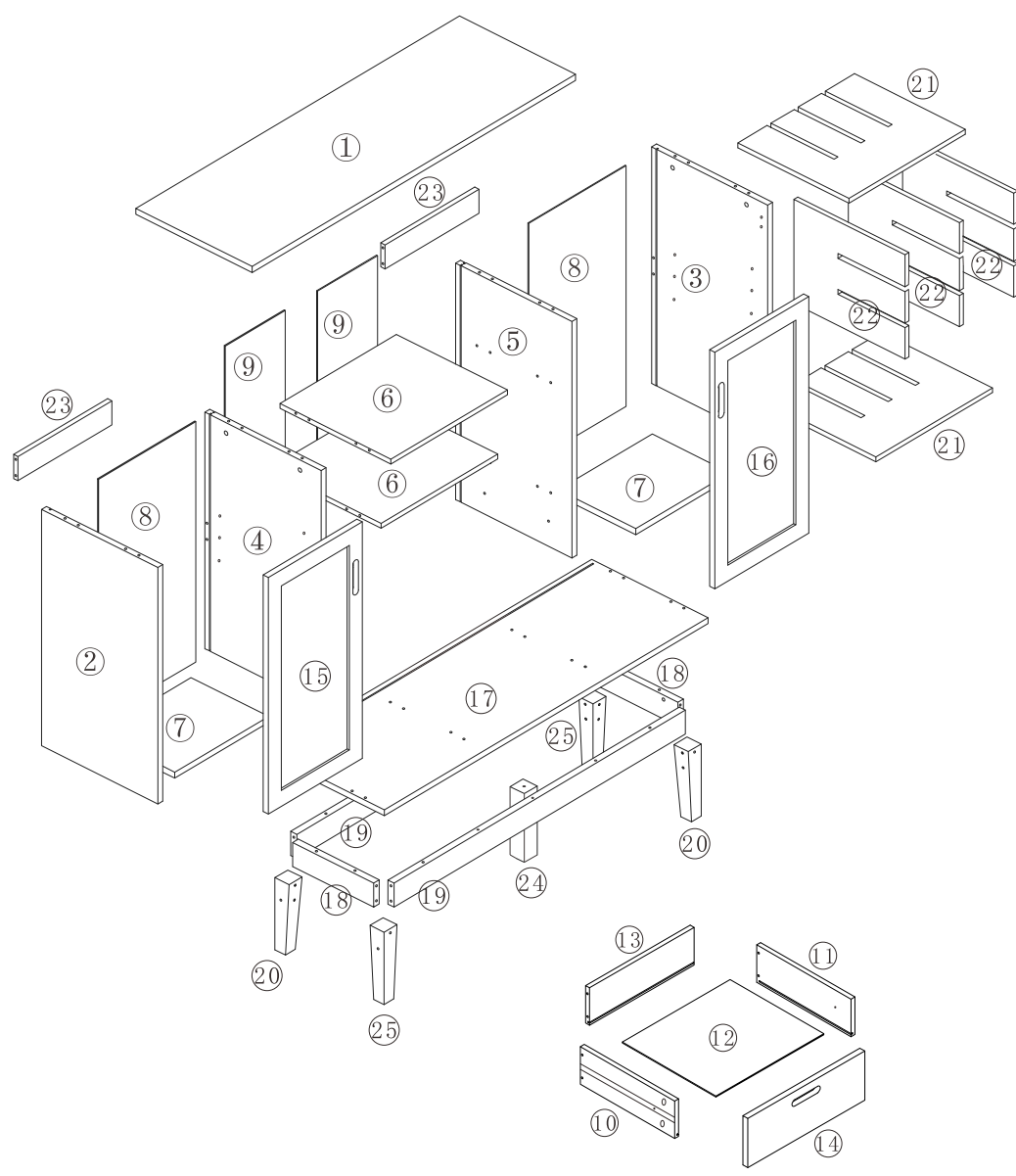
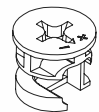
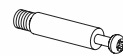
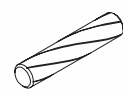
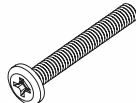
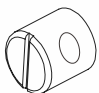
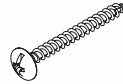
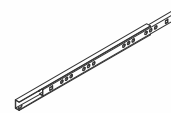
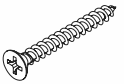


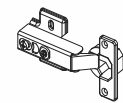
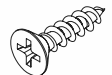
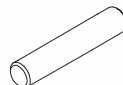

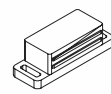

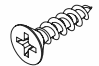


**USER'S MANUAL**  
**Wine Cabinet**

**PRODUCT ASSEMBLY**

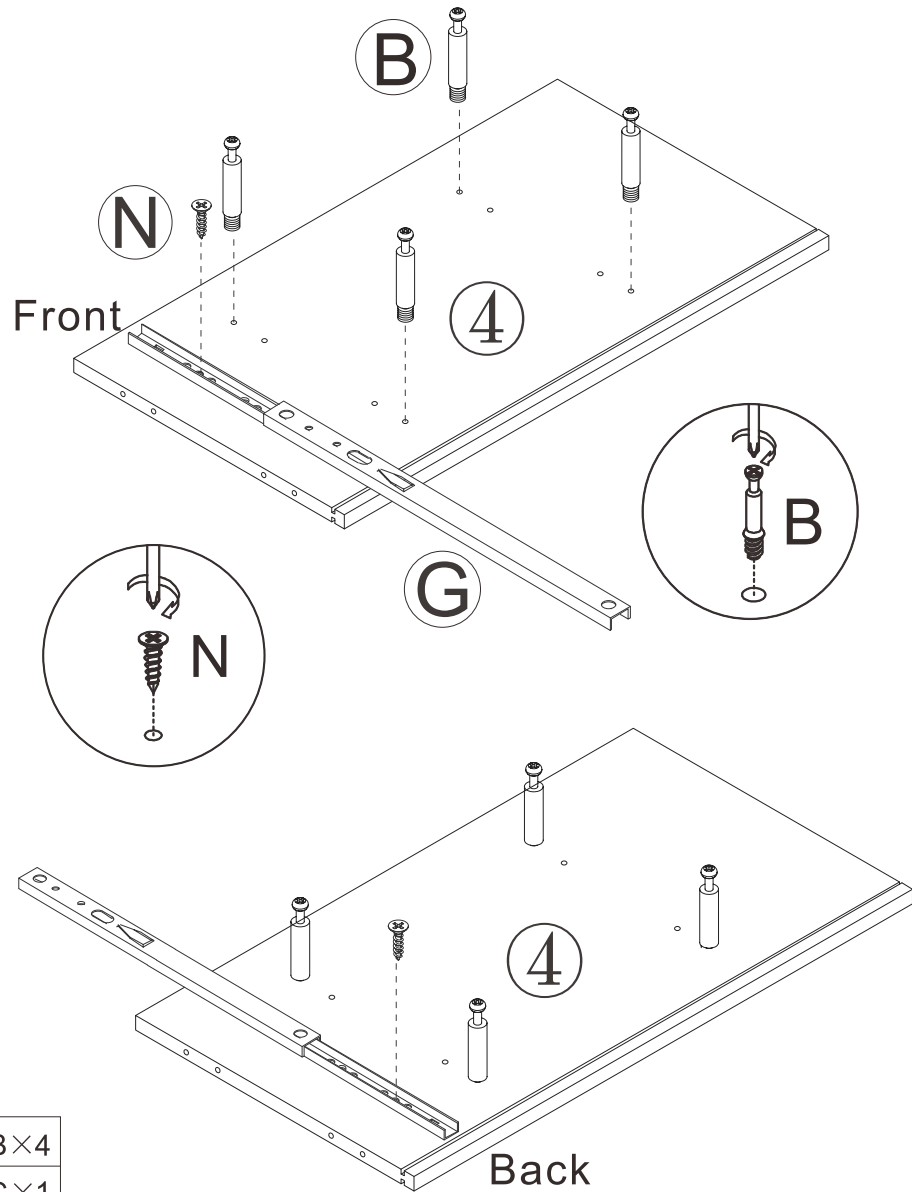
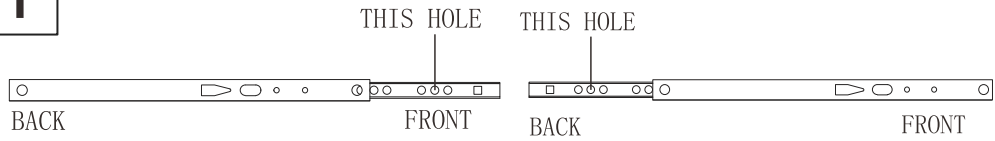




**PRODUCT ASSEMBLY**

<p>A x 29</p> 	<p>B x 29</p> 	<p>C x 36</p> 	<p>D x 8</p>  <p>6 x 60mm</p>
<p>E x 8</p> 	<p>F x 10</p>  <p>4 x 45mm</p>	<p>G x 2</p> 	<p>H x 8</p>  <p>4 x 35mm</p>
<p>I x 2</p> 	<p>J x 2</p> 	<p>K x 4</p> 	<p>L x 16</p>  <p>4 x 14mm</p>
<p>M x 8</p> 	<p>N x 6</p>  <p>3 x 12mm</p>	<p>O x 2</p> 	
<p>P x 4</p>  <p>4 x 30mm</p>		<p>Q x 4</p>  <p>3 x 15mm</p>	

PRODUCT ASSEMBLY

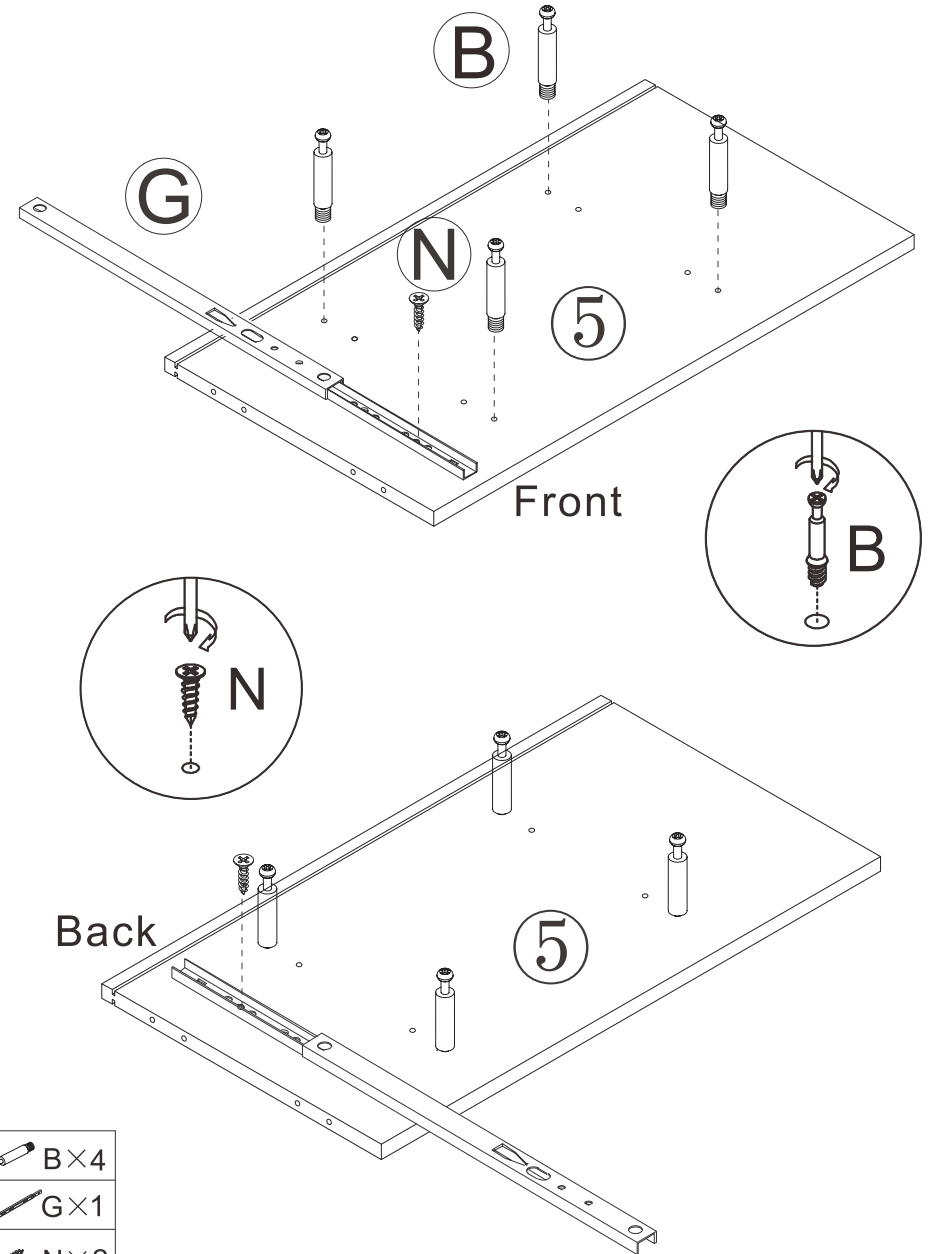
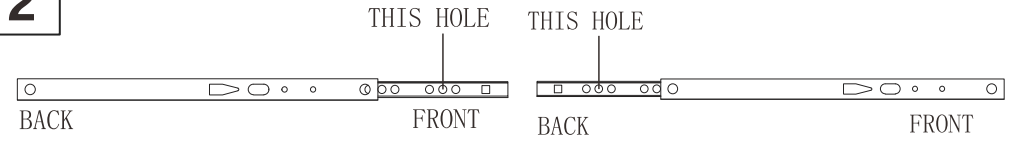
1






-  B×4
-  G×1
-  N×2

PRODUCT ASSEMBLY

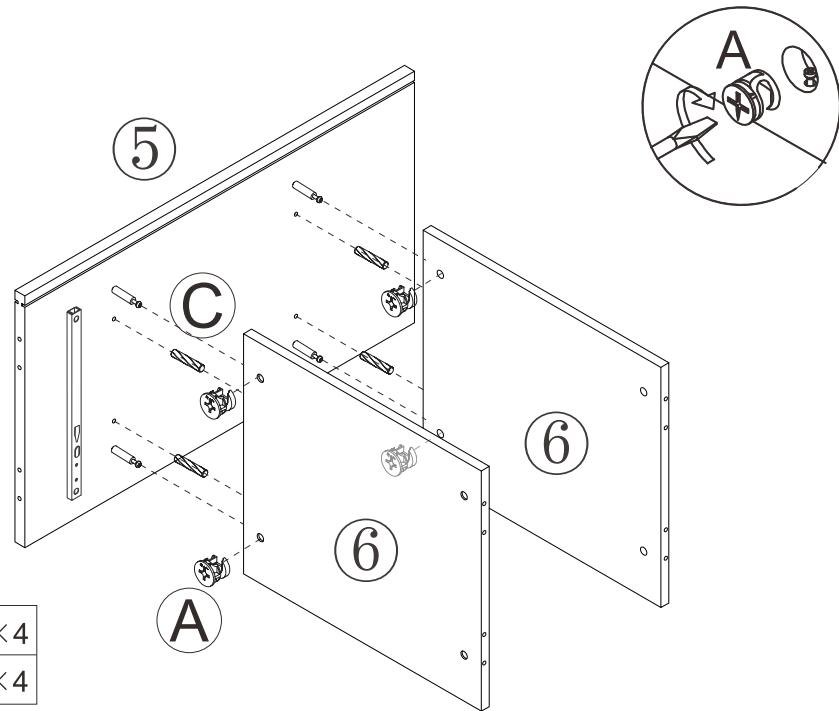
2



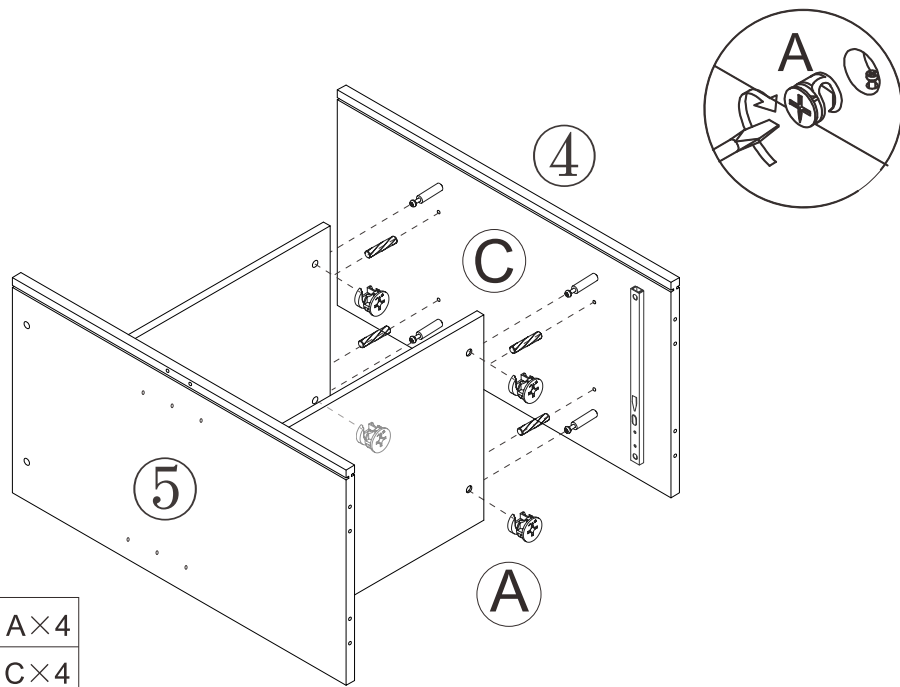
-  B×4
-  G×1
-  N×2

PRODUCT ASSEMBLY

3

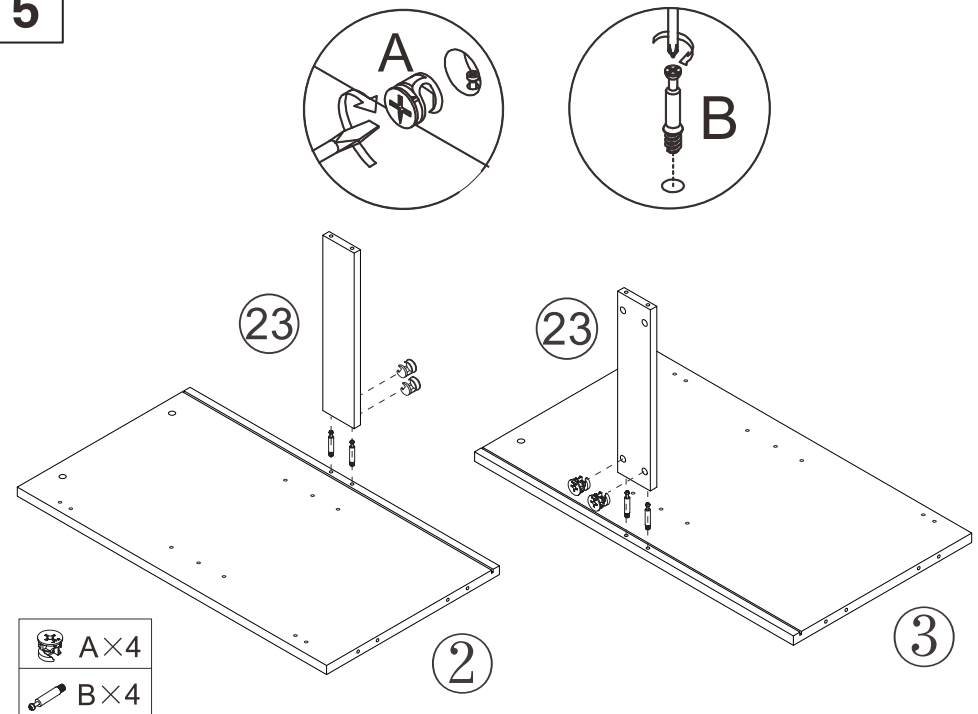


4

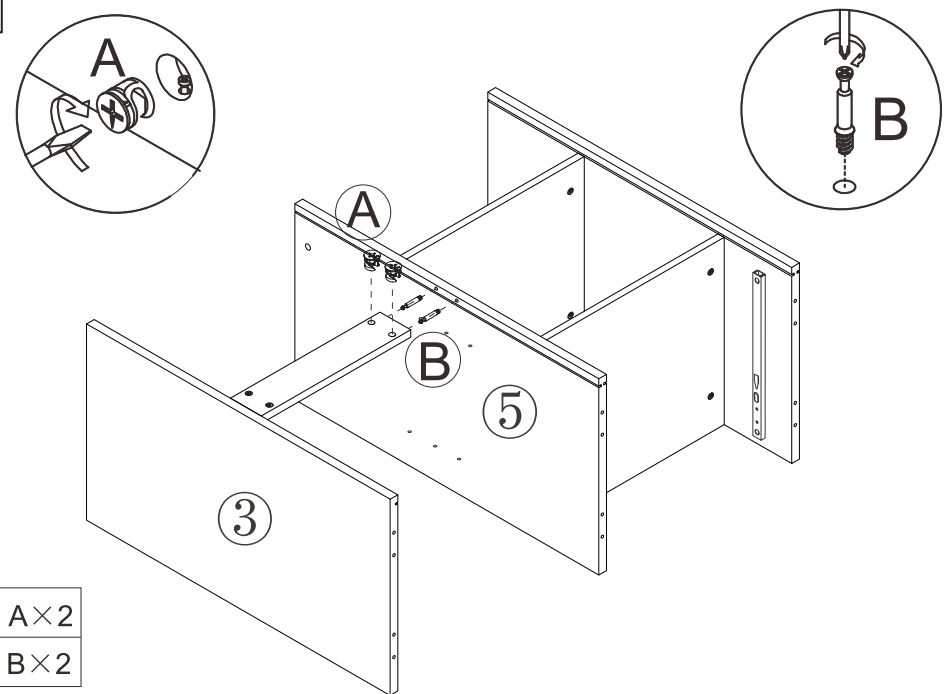


PRODUCT ASSEMBLY

5

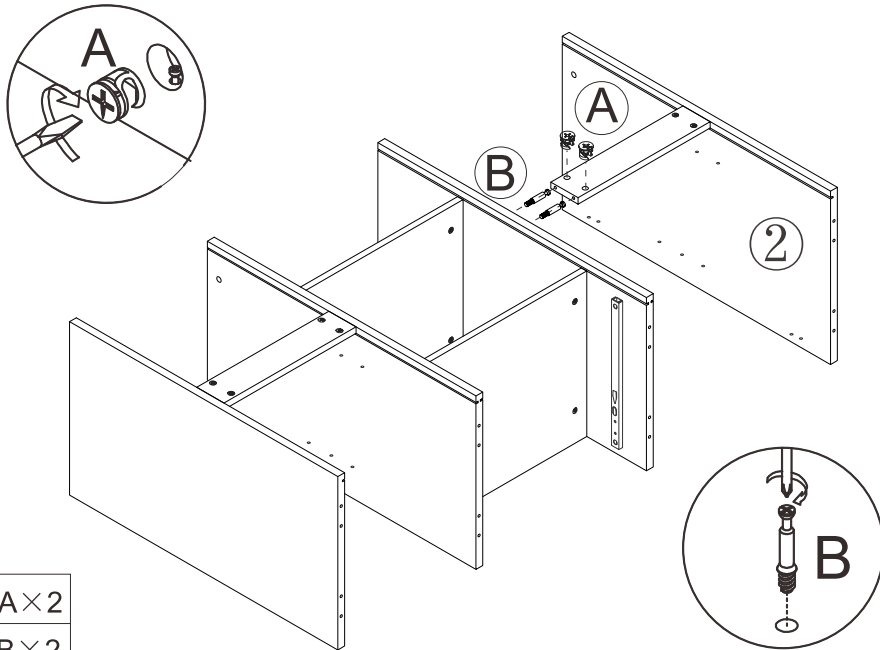


6



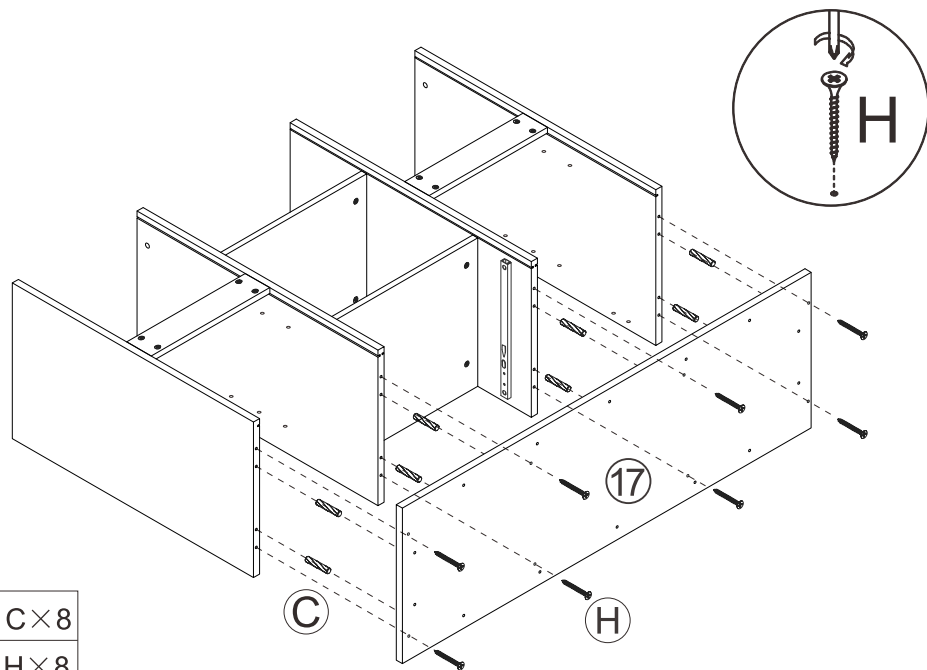
PRODUCT ASSEMBLY

7



- A×2
- B×2

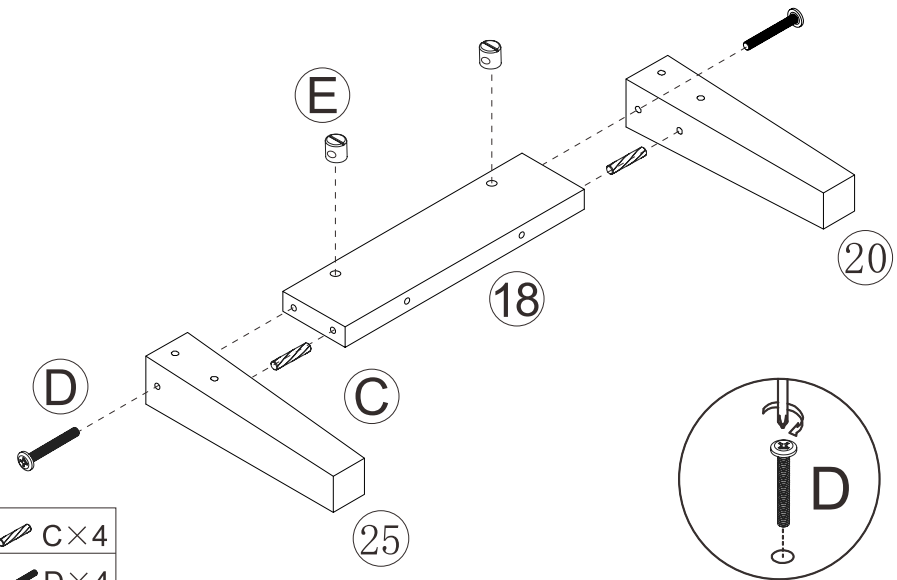
8



- C×8
- H×8

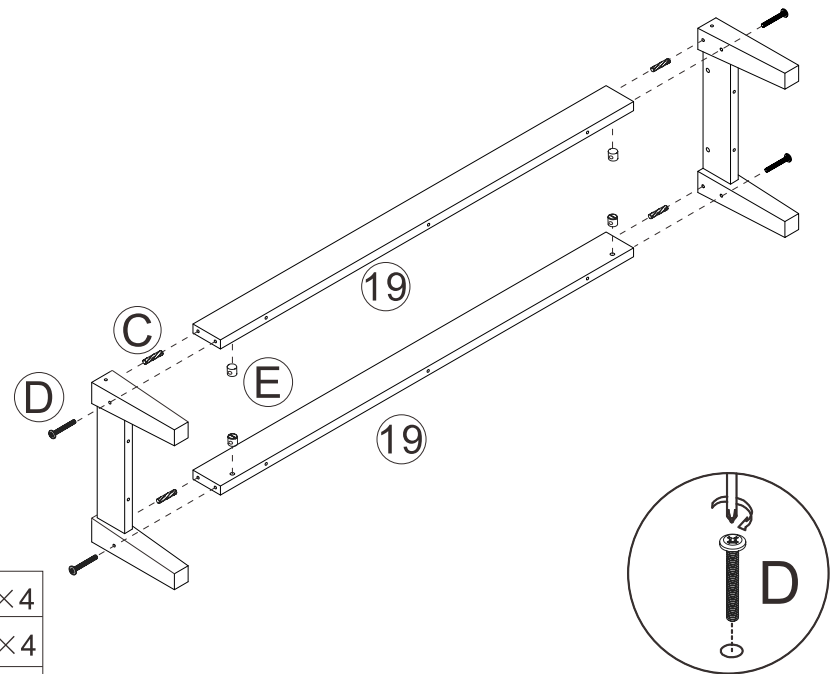
PRODUCT ASSEMBLY

9 × 2



- C×4
- D×4
- E×4

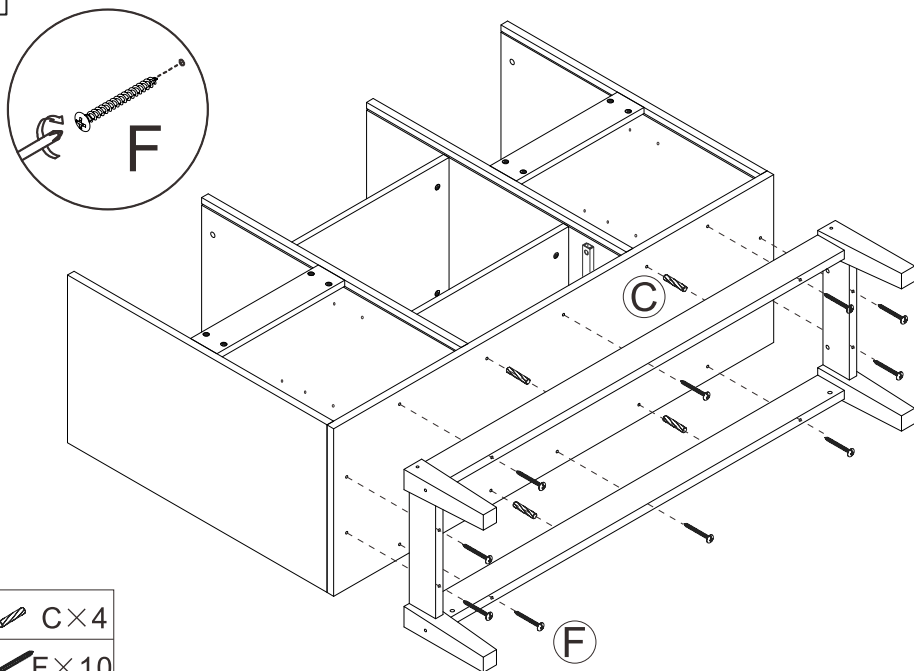
10



- C×4
- D×4
- E×4

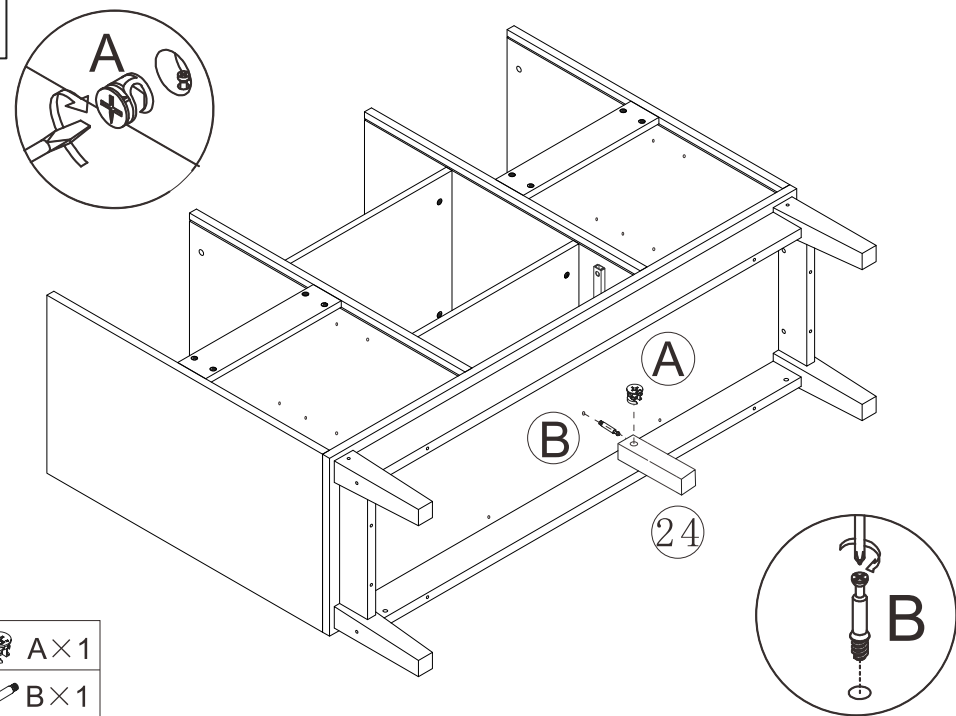
PRODUCT ASSEMBLY

11



- C×4
- F×10

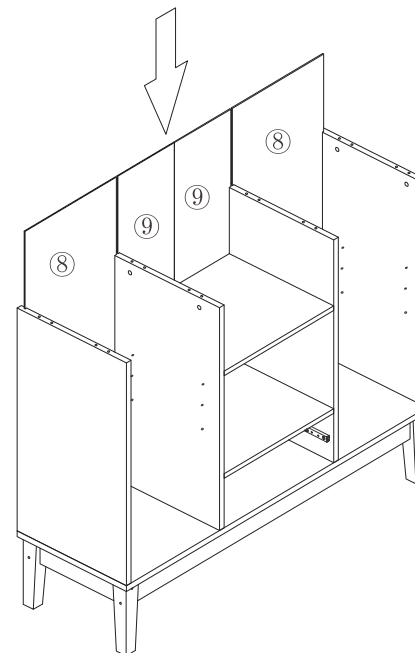
12



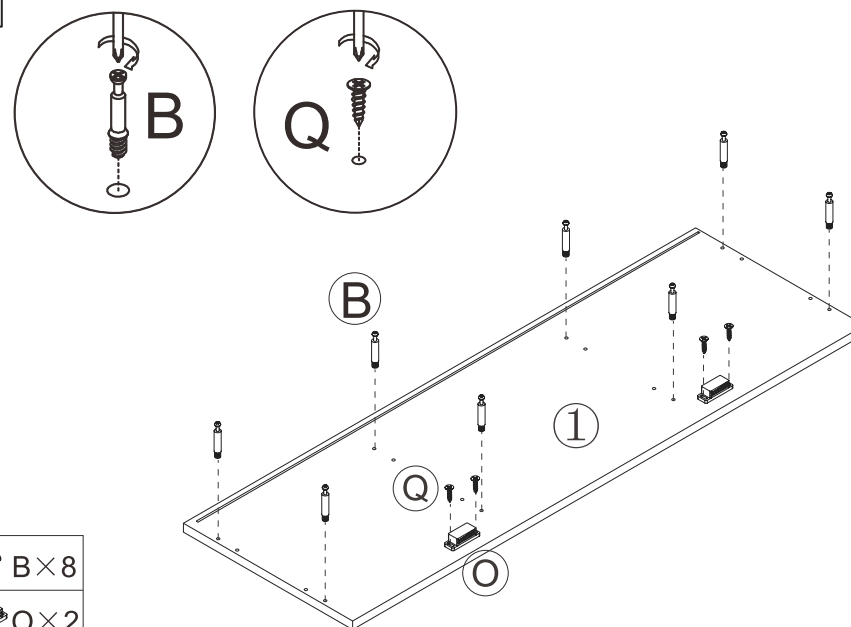
- A×1
- B×1

PRODUCT ASSEMBLY

13



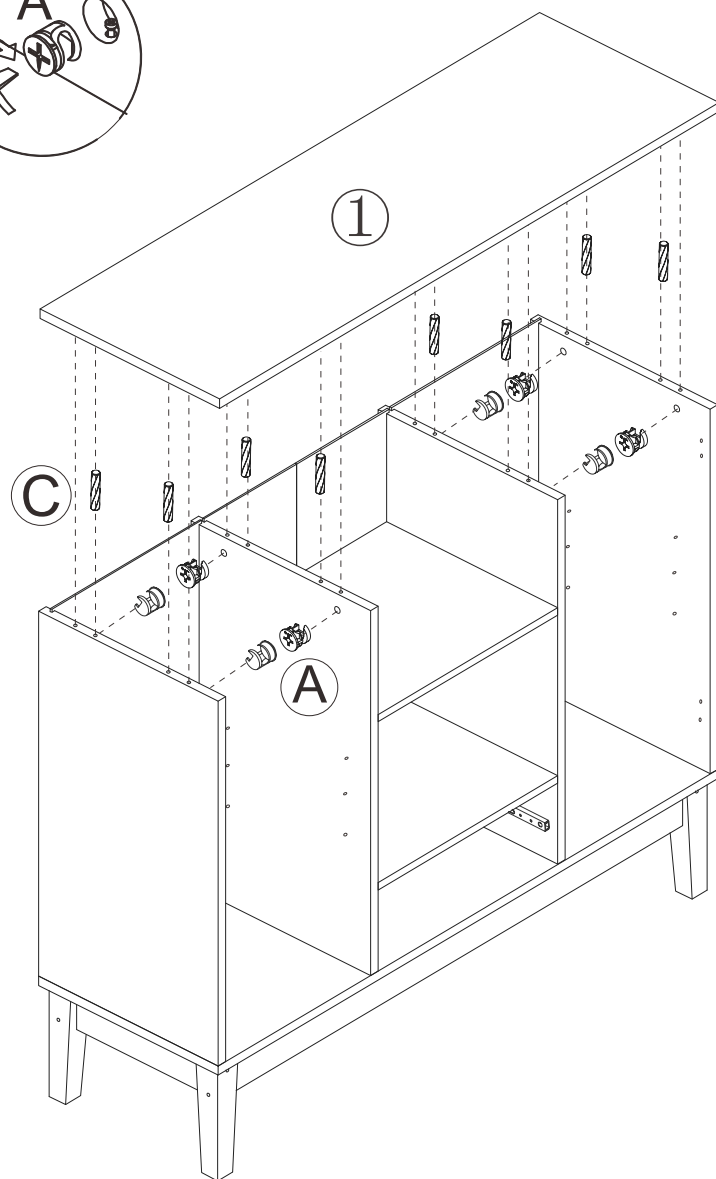
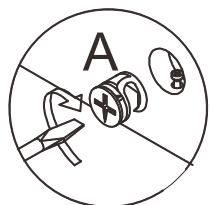
14



- B×8
- O×2
- Q×4

PRODUCT ASSEMBLY

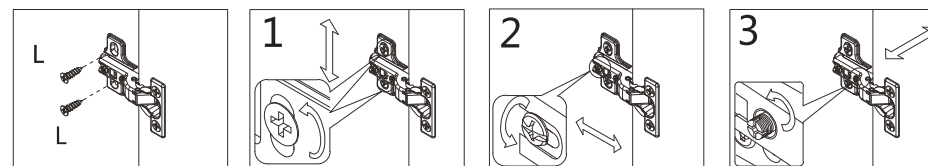
15



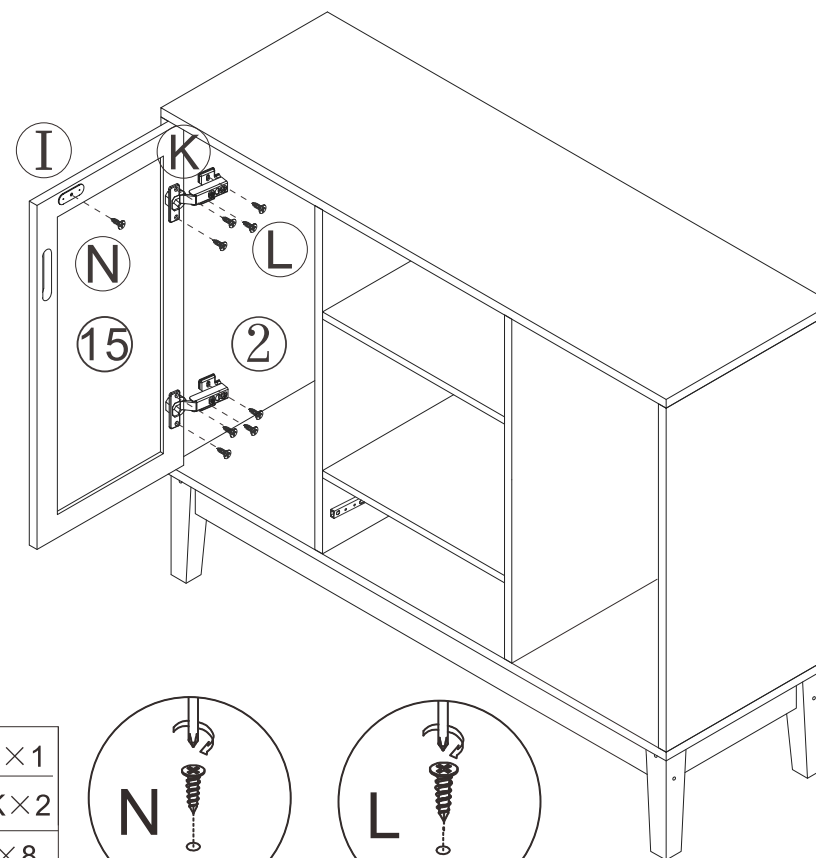
- A × 8
- C × 8

PRODUCT ASSEMBLY

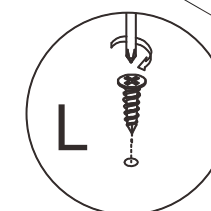
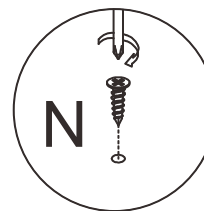
16



- If the door panel is not sitting at a right position or angle, follow the steps below to improve.
- (1) Loosen the hinge, adjust the door panel position (up and down), then fasten the screws to secure the hinge (Step 1), or,
  - (2) Loosen the middle screw of the hinge and adjust the door panel in and out, to desired position, then fasten the screws to secure the hinge (Step 2), or
  - (3) Adjust the nut at the centre of the hinge to fine tune the tilting angle of the door panel (left or right) to make the door panel to be vertical.

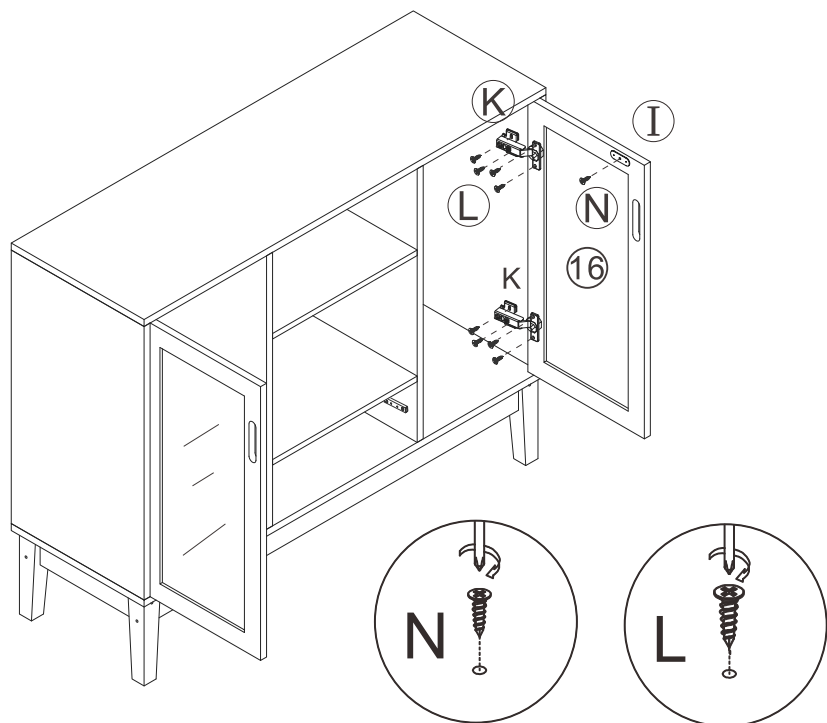






- I × 1
- K × 2
- L × 8
- N × 1



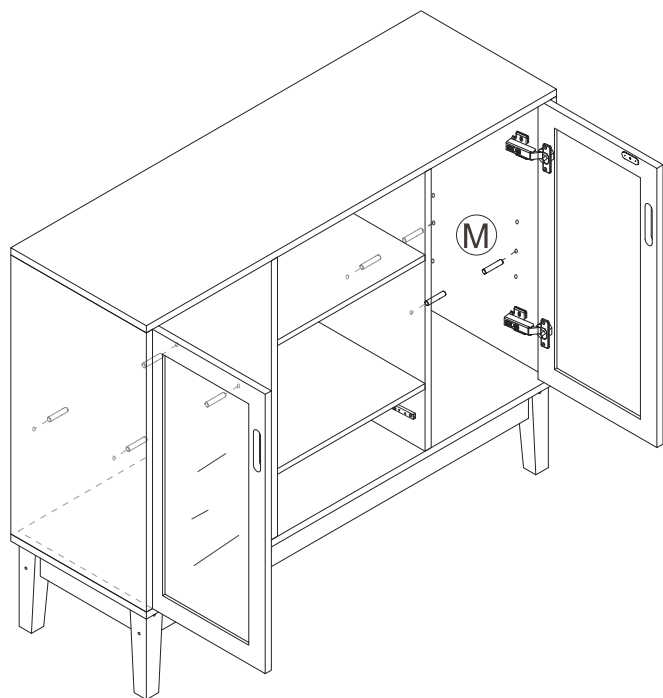
PRODUCT ASSEMBLY

17



-  I×1
-  K×2
-  L×8
-  N×1

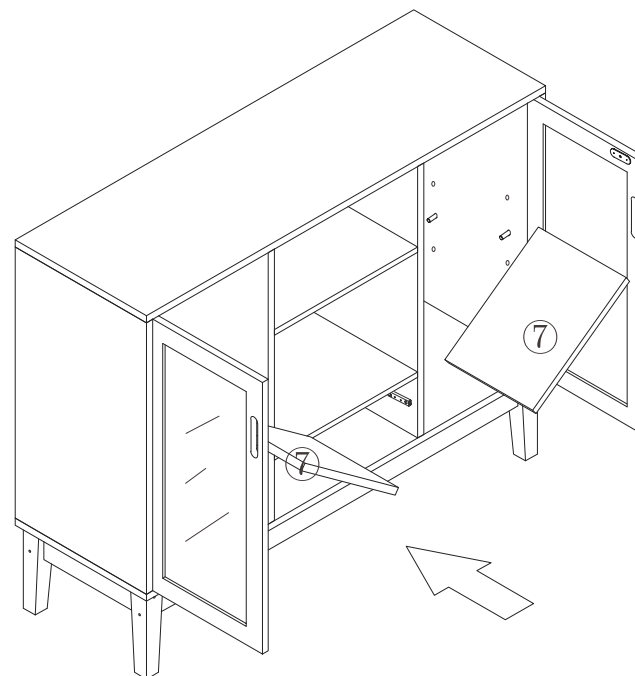
18



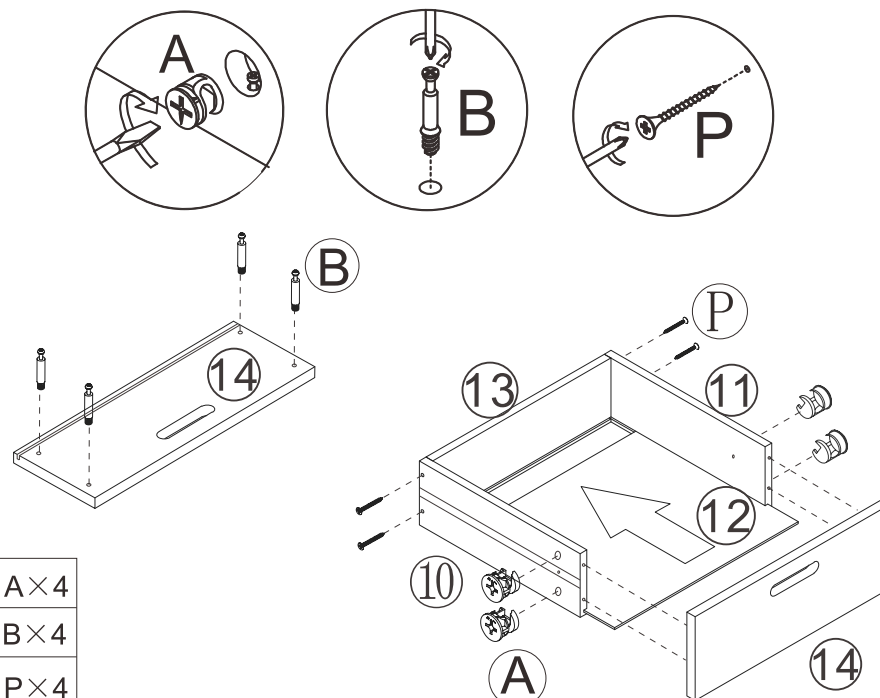
-  M×8




PRODUCT ASSEMBLY

19



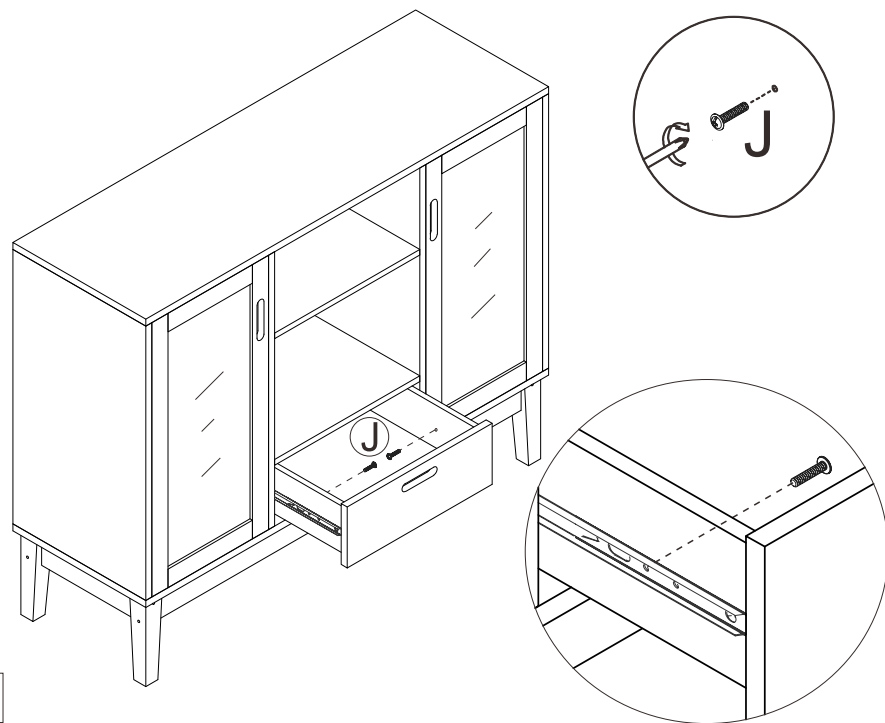
20



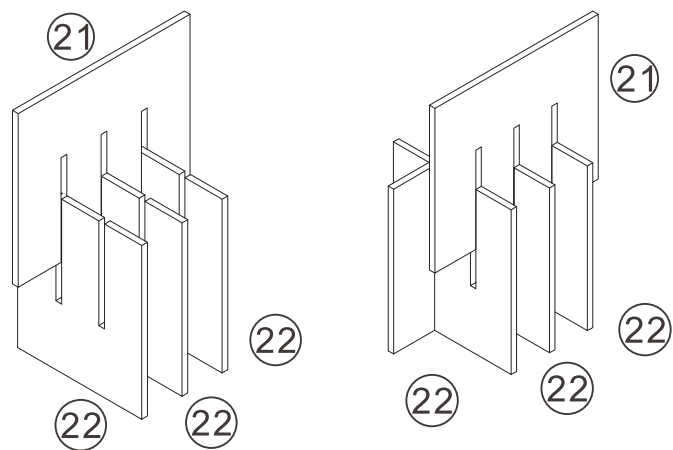
-  A×4
-  B×4
-  P×4

PRODUCT ASSEMBLY

21



22



PRODUCT ASSEMBLY

23

