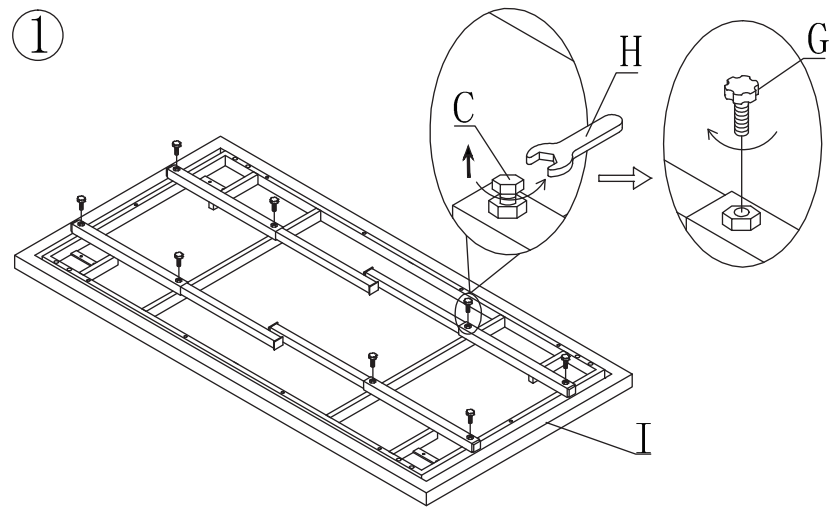
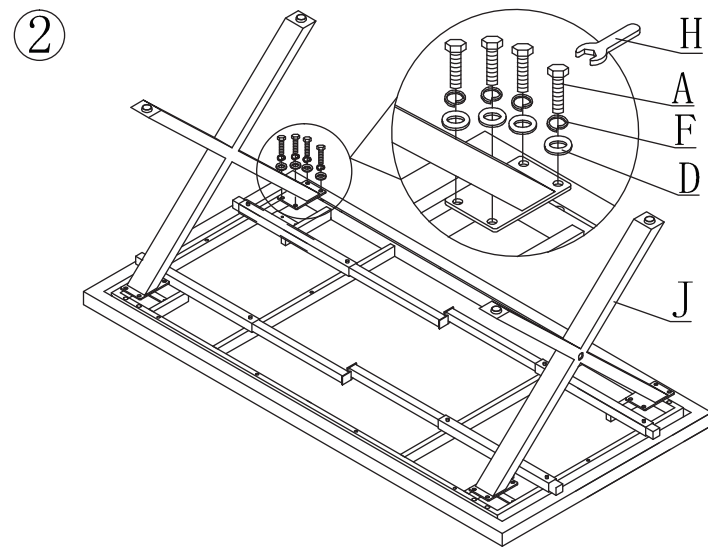


ASSEMBLY INSTRUCTION -EXTENSION DINING TABLE

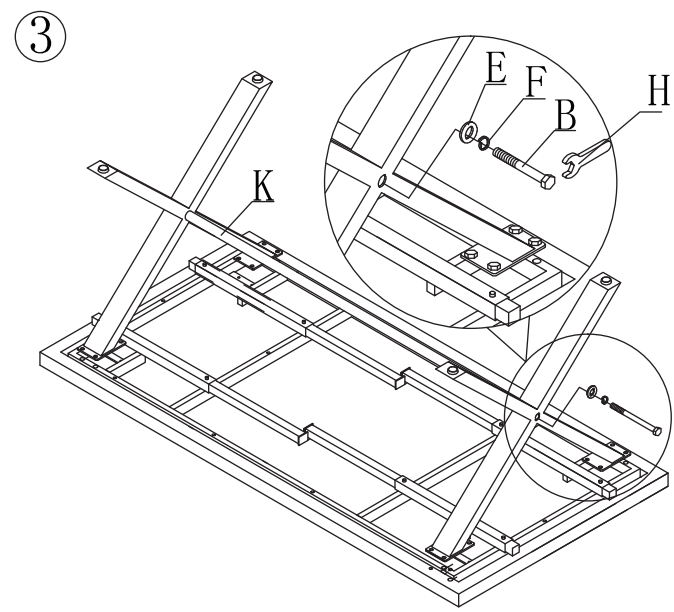
Part List



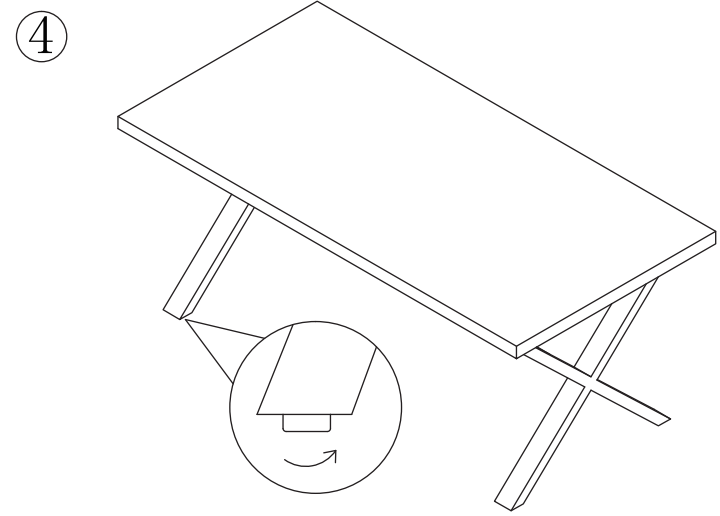
Part "C" only for packaging purpose, Please remove and replace with Part "G".



Don't fully tighten the bolts at this stage.



Tighten the connecting rod first and then tighten the rest of the bolts



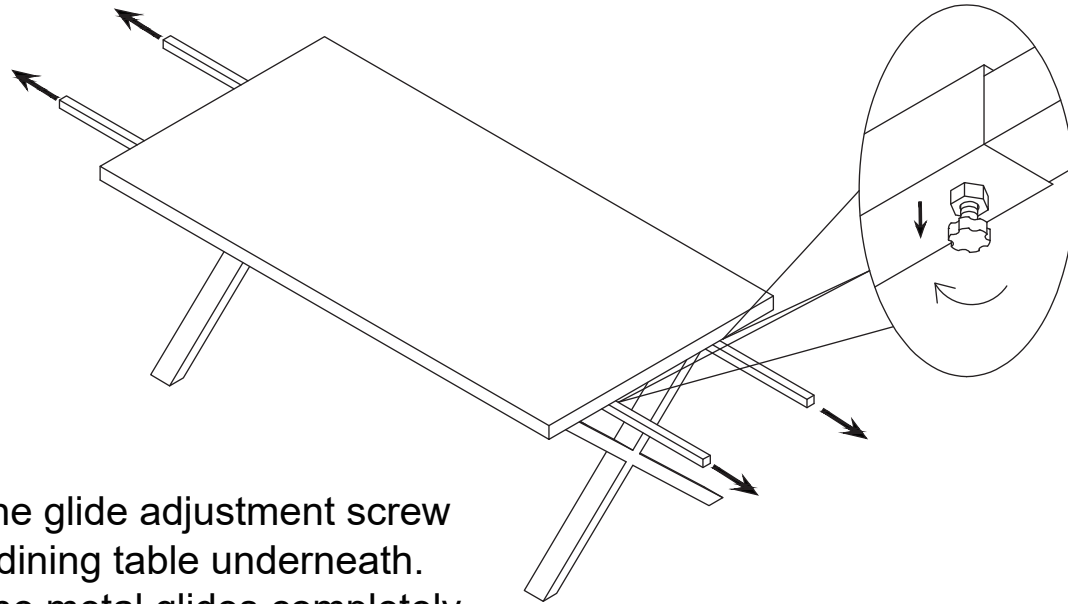
Your furniture is fitted with adjustable feet, if required these can be used to correct any wobbling or door alignment issues. Simply rotate the adjustable feet as required to ensure the furniture is stable and the doors are correctly aligned.

A		Bolt M8X30mm	16 PCS
B		Bolt M8X110mm	2 PCS
C		Bolt M8X12mm (Pre attached)	8 PCS
D		Washer	16 PCS
E		Big Washer	2 PCS
F		Spring Washer	18 PCS
G		Glide Adjustment Screw	8 PCS
H		Wrench	1 PC
I		Table Top	1 PC
J		leg	2 PCS
K		Connecting Rod	1 PC

For Assembly Sequence of extension leaf, please refer to Assembly Instruction in carton no.3.

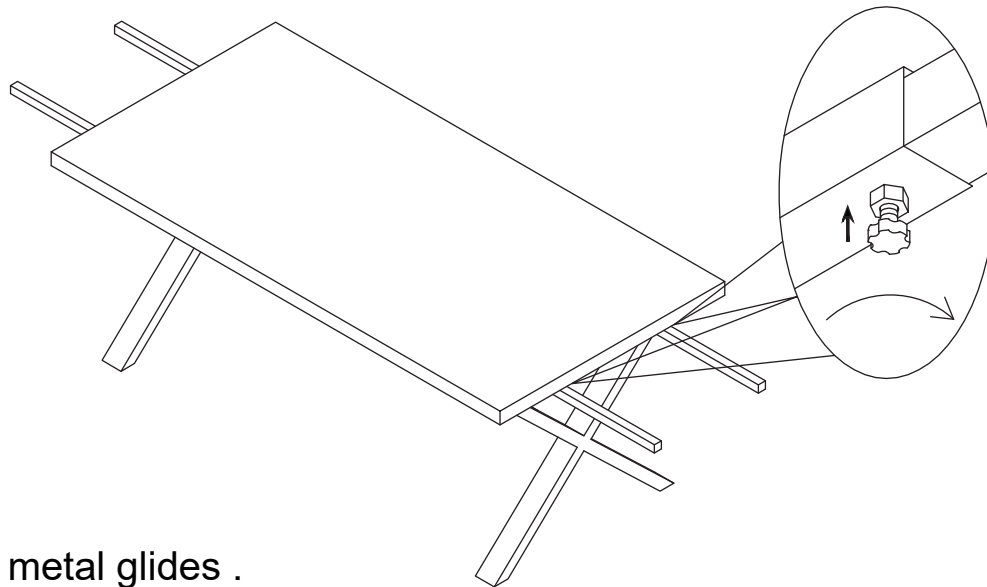
ASSEMBLY INSTRUCTION - EXTENSION LEAF

①




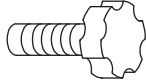
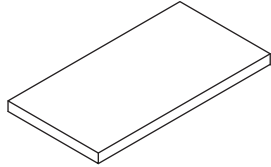
Loosen the glide adjustment screw from the dining table underneath. Pull out the metal glides completely.

②

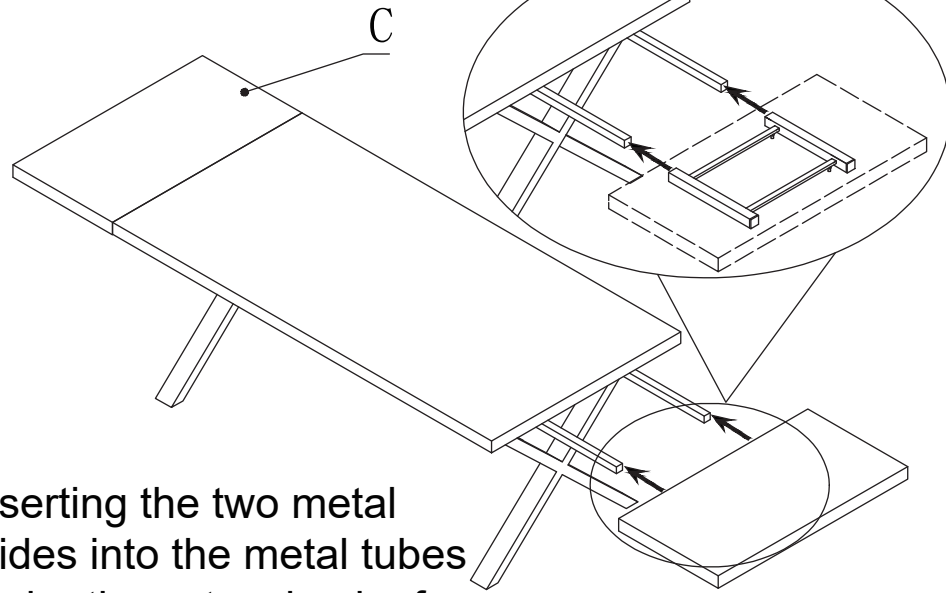


Tighten the metal glides .

Part List

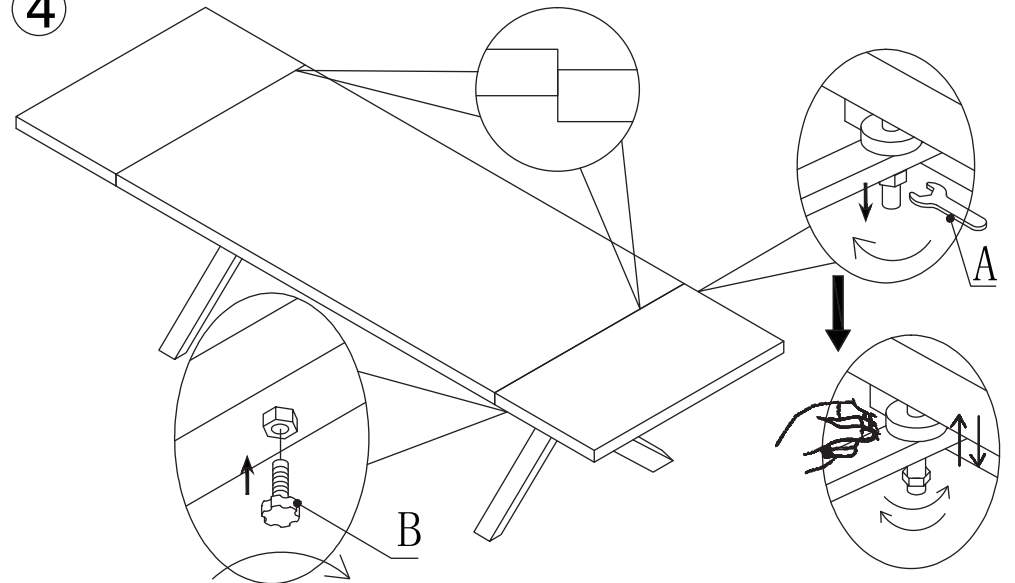
A		Wrench	1pc
B		Glide Adjustment Screw	4pcs
C		Extension Leaf	1pc

③



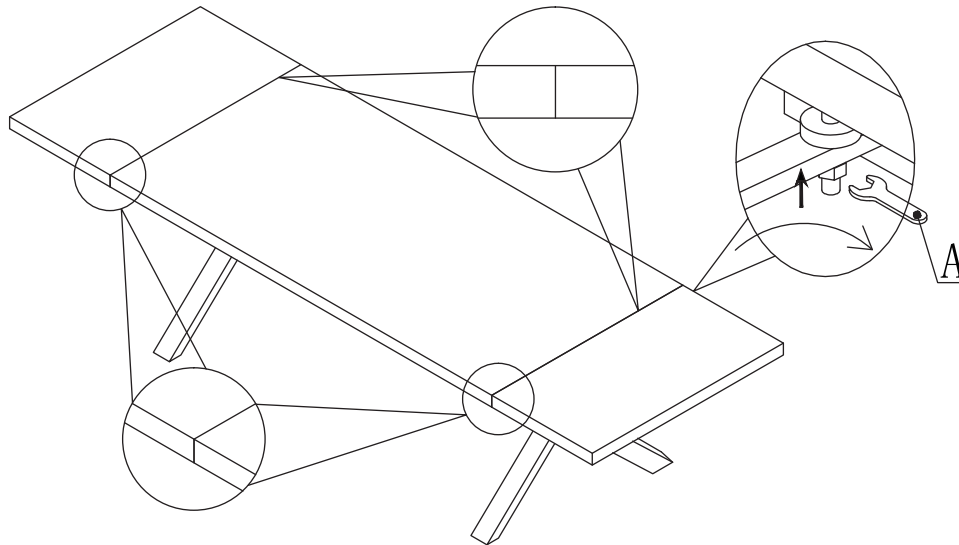
Inserting the two metal glides into the metal tubes under the extension leaf.

④

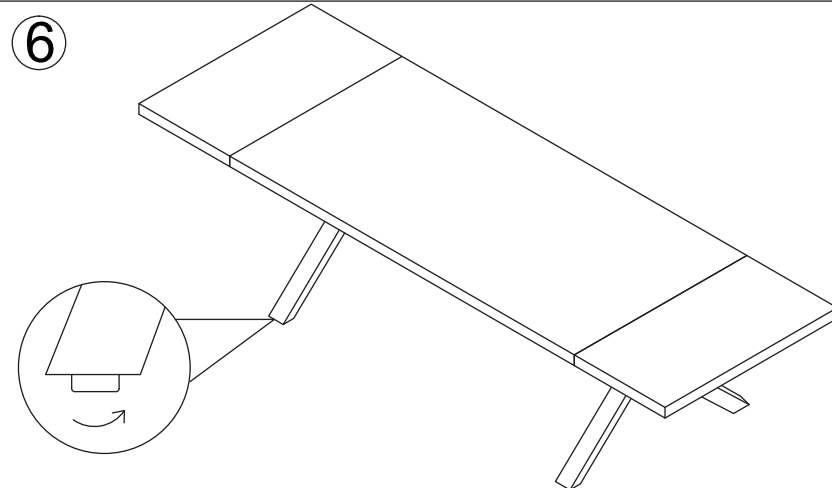


Loosen the nuts and turn the upper ratchet nuts by hand can adjust the extension leaf go up or go down.

⑤



⑥



Your furniture is fitted with adjustable feet, if required these can be used to correct any wobbling or door alignment issues. Simply rotate the adjustable feet as required to ensure the furniture is stable and the doors are correctly aligned.