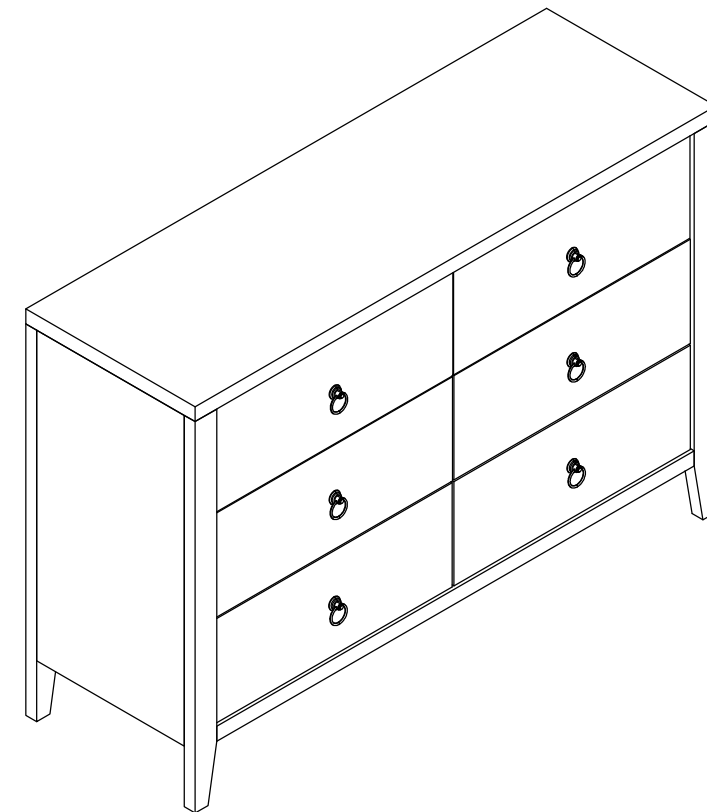


Bedroom Cabinet

Assembly Instruction - Please keep properly for future reference.

If you find any missing boxes, damaged parts, or accessory shortages, please contact the customer service team of your purchasing channel immediately. We will resolve the issue as quickly as possible.



THE FOLLOWING INFORMATION:

- Order number
- Purchase platform
- Purchase date
- Detailed description of the issue along with photos (if applicable)

Important – Please read these instructions carefully before starting the installation.

EN

Before Assembly



Thank you for choosing our product!

To ensure a smooth installation process, please read this guide carefully to familiarize yourself with the required tools, materials, and installation steps. Follow the relevant sections to avoid any damage caused by improper installation, and make sure to review all operation and safety guidelines for correct installation procedures.

Packaging Notice:

If you find any missing boxes, damaged parts, or accessory shortages, please contact the customer service team of your purchasing channel immediately. We will resolve the issue as quickly as possible.

Safety and Care Advice



Important :

Please read these instructions fully before starting assembly.

- Check you have all the components and tools listed on the following pages.
- Remove all fittings from the plastic bags and separate them into their groups.
- Keep children and animals away from the work area, small parts could choke if swallowed.
- Make sure you have enough space to layout the parts before starting.
- During assembly do not stand or put weight on the product, this could cause damage.
- Assemble the item as close to its final position (in the same room) as possible.
- Assemble on a soft level surface to avoid damaging the unit or your floor.
- Parts of the assembly will be easier with 2 people.



- To reduce the likelihood of damaging your product please ensure that your power drill is set on a low torque setting.

Care and maintenance

- Only clean using a damp cloth and mild detergent, do not use bleach or abrasive cleaners.
- From time to time check that there are no loose screws on this unit.
- This product should not be discarded with household waste. Take to your local authority waste disposal center.

Handy Hints

- Assemble all parts and bolts loosely during assembly, only once the product is complete should you fully tighten the bolts.
- Regularly check and ensure that all bolts and fittings are tightened properly.

Warning

In order to help prevent overturning, please follow these instructions.

- Use the anti tip strap or wall fixing method provided (if applicable).
- Do not allow children to climb or hang on the furniture.
- Do not open more than one drawer at a time.
- Do not place heavy items in the top drawers.
- Do not place heavy items on top of the furniture, unless the furniture has been designed for this purpose.
- Please note that only the anti tip strap is provided. You will need to provide wall plugs and screws applicable for your wall type.

Customer Service Guide



Thank you for choosing our product! We are committed to providing you with excellent service. If you find any missing parts, damaged packaging, or product damage after receiving all packages, please follow the steps below to quickly contact our customer service team. We will do our best to resolve your issue.

1. Missing Parts

Verify Parts:

1. Refer to the "Parts List" in the manual to verify the name, specifications, and quantity of the missing parts.
2. Take a clear photo of the parts list and mark the missing parts with detailed information, e.g., "Missing 5 pieces of M6×30mm screws."

Contact Us:

- A description of the missing parts and a photo of the parts list.
- Order details (order number, purchase platform, purchase date).

2. Product or Packaging Damage

If it affects normal use:

Steps:

1. Take clear photos or videos showing the damaged parts and the extent of the damage (multi-angle shots are recommended).
2. Email the photos/videos along with order details with the subject line "Product Damage Issue."

Resolution:

After verification, we will arrange for a replacement part, product exchange, or refund as quickly as possible.

If it does not affect normal use:

Steps:

1. Contact our customer service team.
2. Provide a description of the damage and include relevant photos or videos.

Resolution:

We will provide repair guidance or an appropriate compensation plan based on the specific situation.

Helpful Tips

To process your issue efficiently, please prepare the following information:

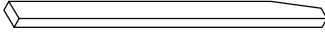
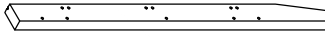
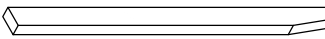

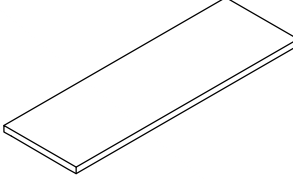
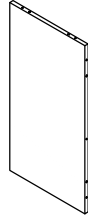


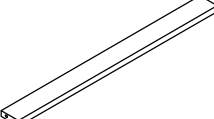
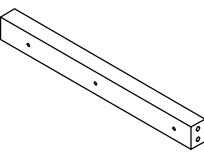
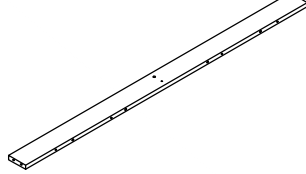
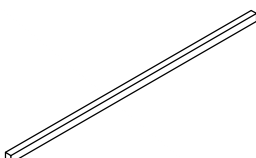
- Order details (order number, purchase platform, purchase date).
- Clear photos or videos.
- We are committed to providing quick and professional solutions, no matter the size of the issue, to ensure your satisfaction.

Thank you for your trust and support!
We hope you enjoy using our product!

Parts List



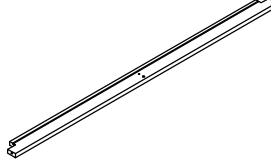
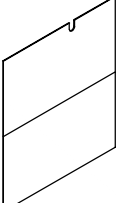
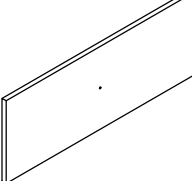
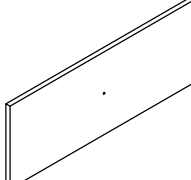
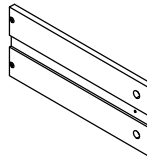
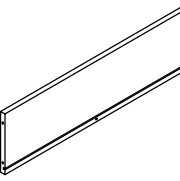
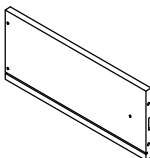
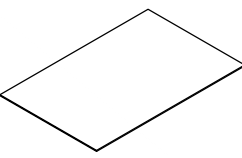
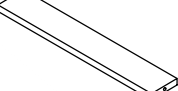

Please check you have all the panels listed below.

		
1 781x50x25mm x1	2 781x50x25mm x1	3 781x50x25mm x1
		
4 781x50x25mm x1	5 1200x390x30mm x1	6 660x340x15mm x1
		
7 630x372x15mm x1	8 660x340x15mm x1	9 577x60x15mm x4
		
10 340x35x25mm x6	11 1168x70x15mm x1	12 1098x30x25mm x1

Parts List



Please check you have all the panels listed below.

		
13 1168x70x15mm x1	14 550x640x3mm x2	15 545x205x15mm x3
		
16 545x205x15mm x3	17 340x145x12mm x6	18 505x145x12mm x6
		
19 340x145x12mm x6	20 512x335x3mm x6	21 328x55x12mm x6
		
22 140mm x1		

Parts List - Fittings

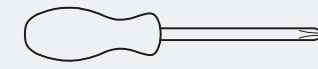


Please check you have all the fittings listed below.

Note: The quantities below are the correct amount to complete the assembly. In some cases more fittings may be supplied are required.

A x66	B x66	C $\varnothing 6 \times 30 \text{mm}$ x50
D $\varnothing 4 \times 35 \text{mm}$ x32	E $\varnothing 3 \times 12 \text{mm}$ x36	F x12
G $\varnothing 4 \times 16 \text{mm}$ x6	H $\varnothing 4 \times 10 \text{mm}$ x12	J $\varnothing 3 \times 14 \text{mm}$ x8
K $\varnothing 4 \times 12 \text{mm}$ x2	L $\varnothing 4 \times 40 \text{mm}$ x2	M x4
N $\varnothing 6 \times 50 \text{mm}$ x2		

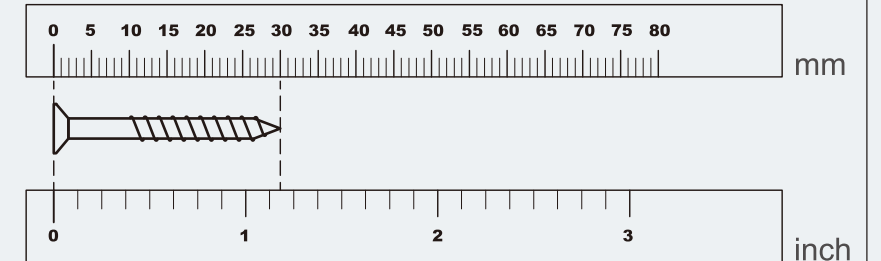
Tools required



Phillips screwdriver
(medium & large)

Ruler

Use this ruler to help correctly identify the screws



The screws length is measured from the head to the point (30mm screw shown).



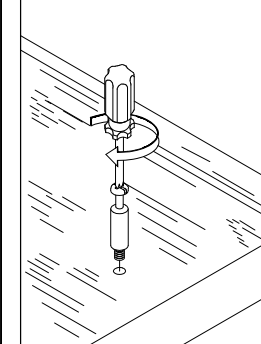
Using Camlocks

Step 1

Connect the male camlock as directed in the assembly instructions using a screwdriver.

1

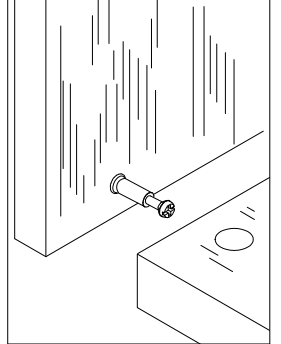
DO NOT OVER TIGHTEN.
NE PAS SERRER EXCESSIVEMENT.



Step 2

Push the male camlock into the entry hole.

2

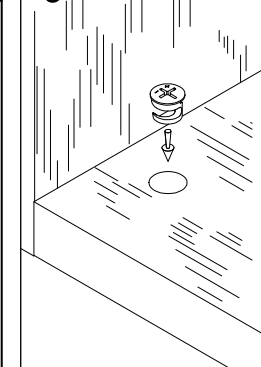


Step 3

Insert the female camlock as shown in the instruction.

Note: ensure that the arrow on the top of the camlock points towards the entry hole for the male camlock.

3



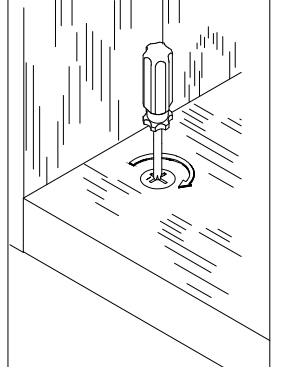
Step 4

Turn the female camlock clockwise with a screwdriver.

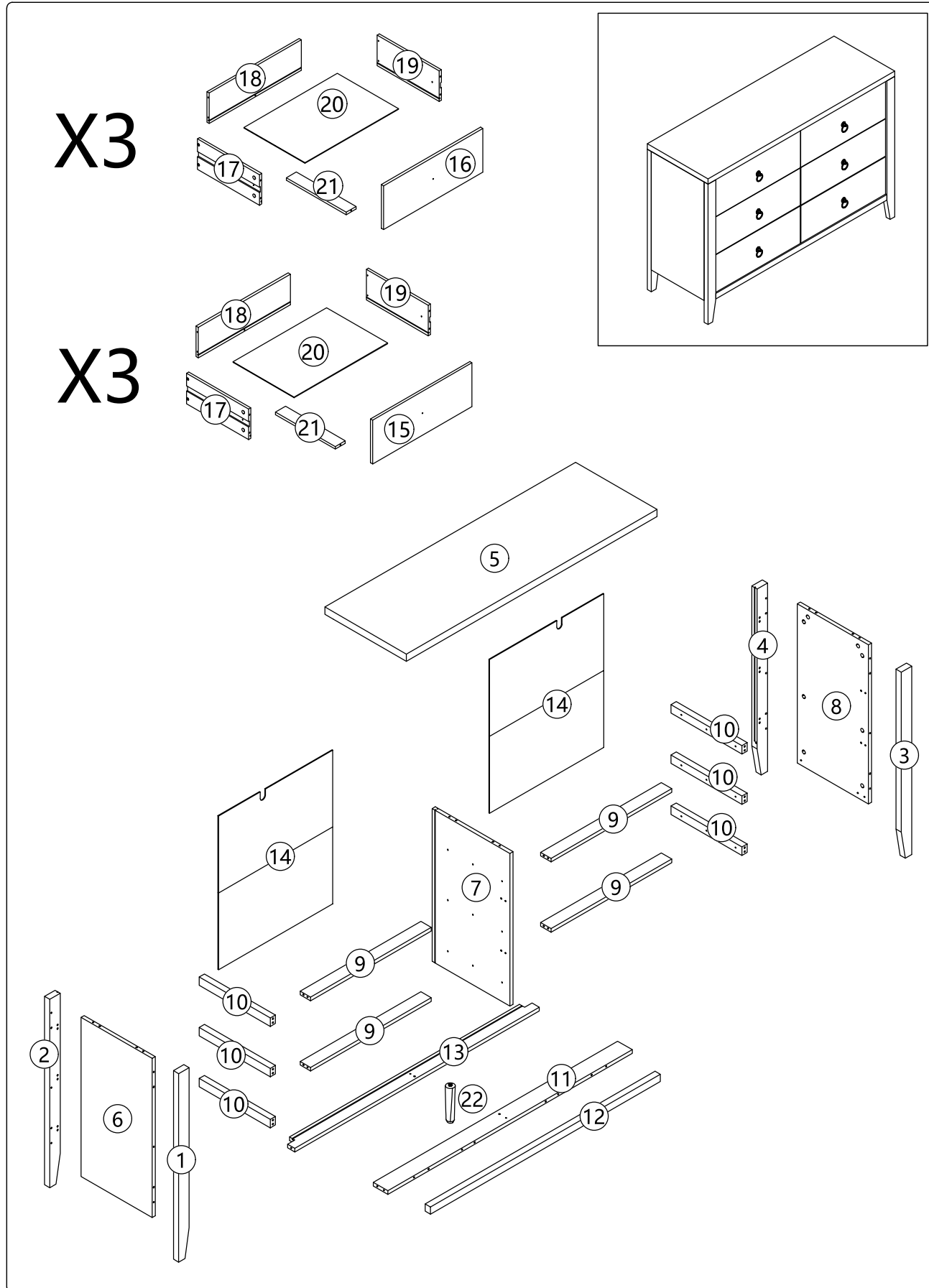
You should feel a click when the camlock is locked in place.

The joint is now secure.

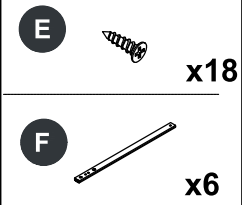
4



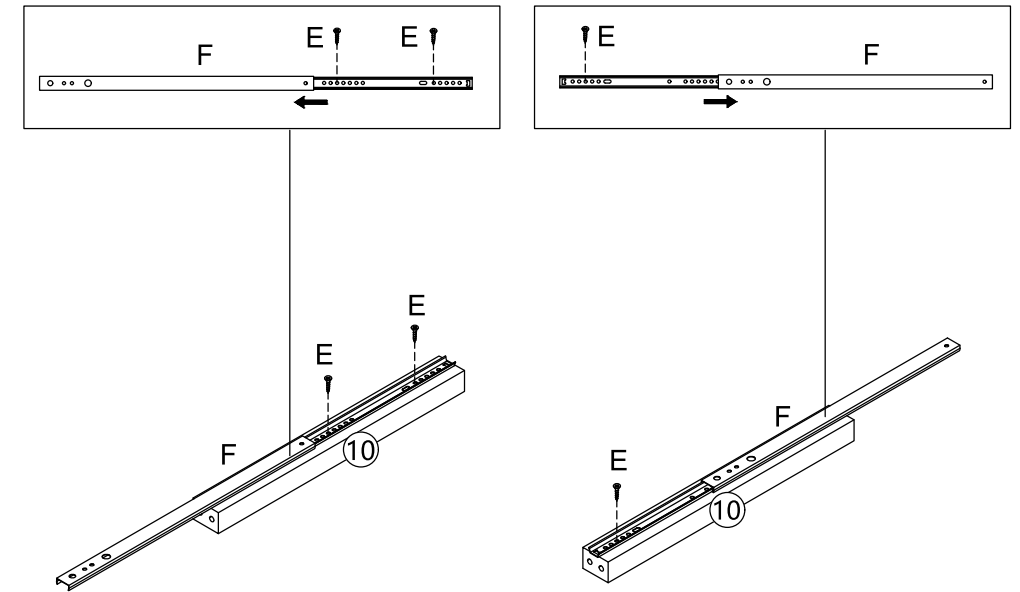
Assembly Instructions



Step 1



X6

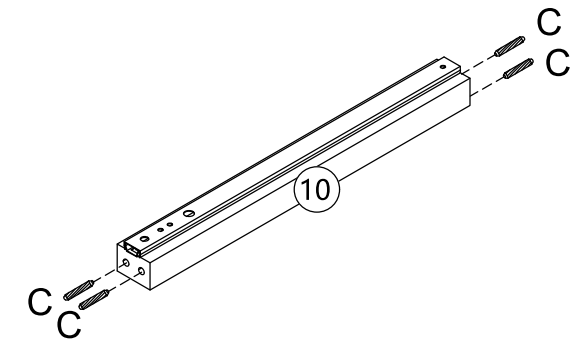


Place rail (F) onto part (#10) and secure it with screws (E). Repeat this procedure for six additional sets.

Step 2

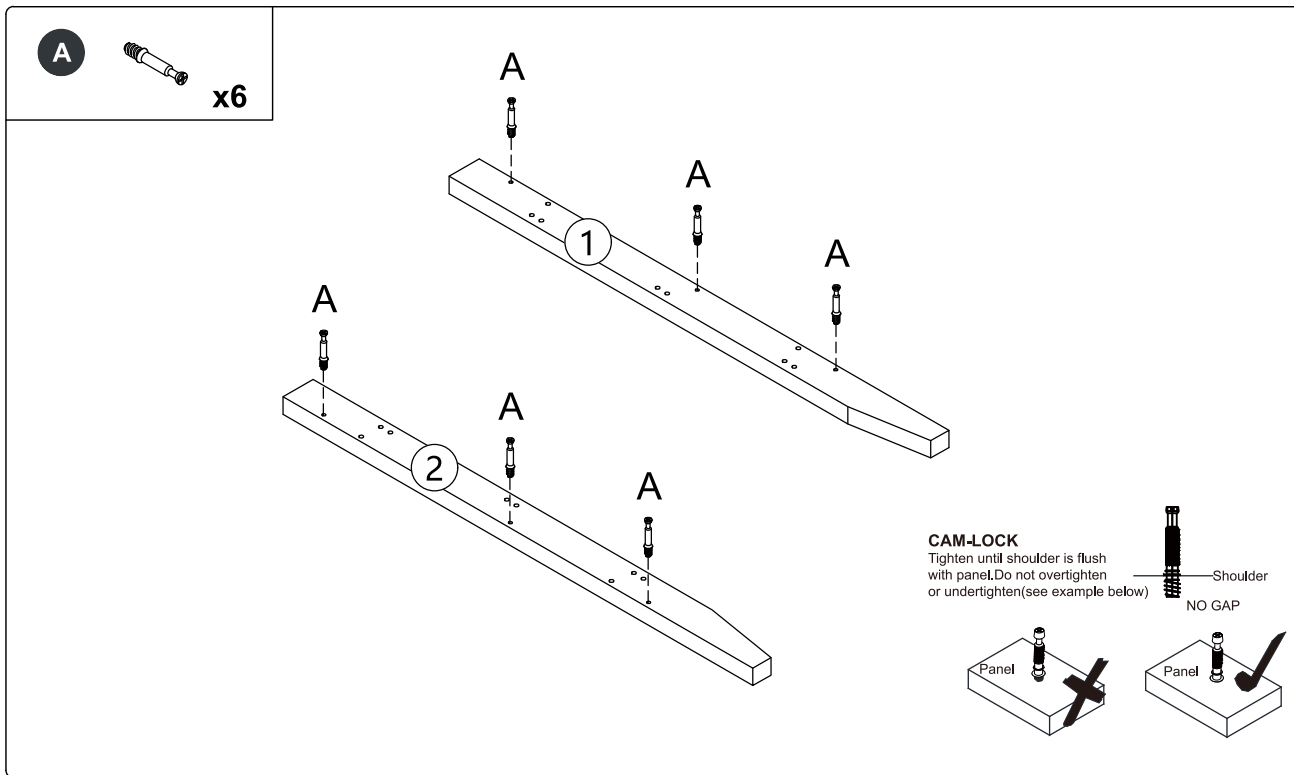


X6



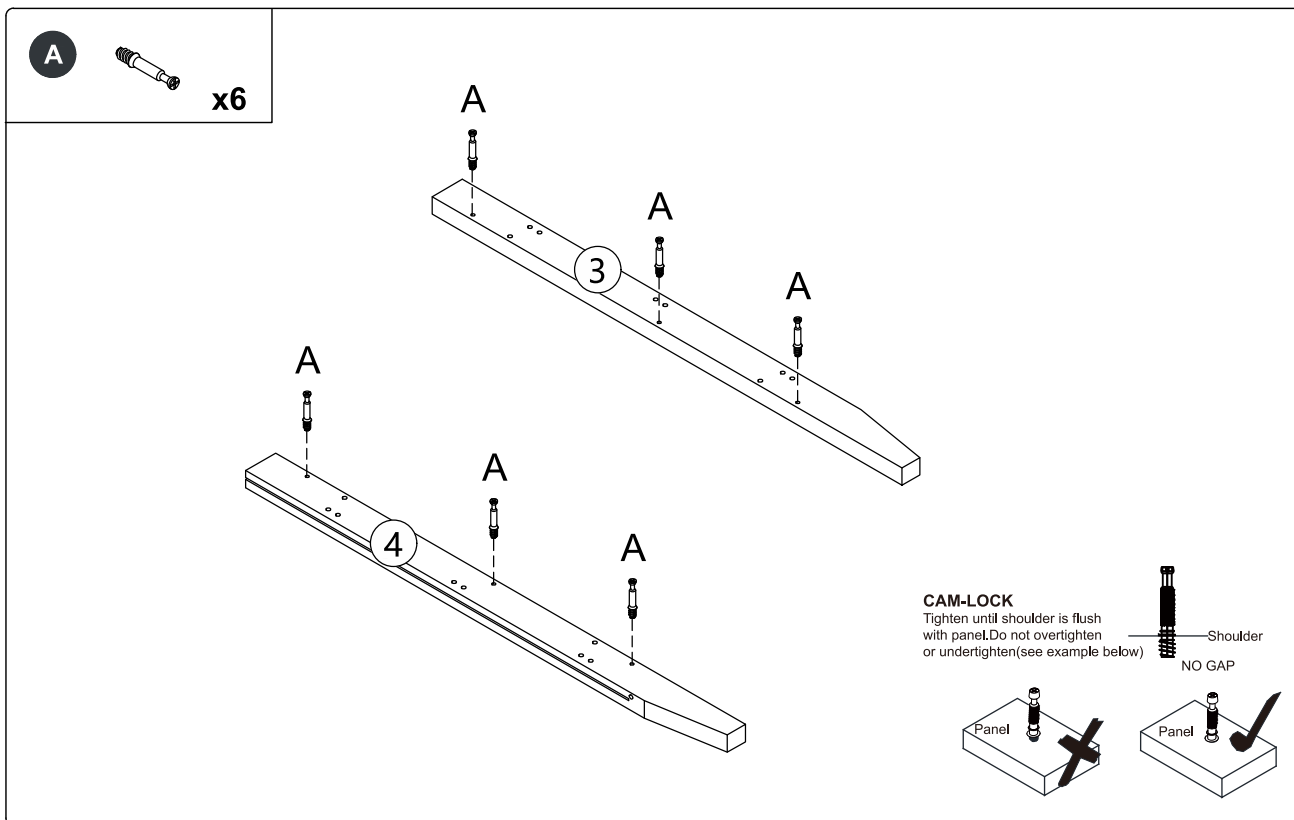
Insert dowels (C) into the holes at both ends of part (#10). Repeat this procedure for six additional sets.

Step 3



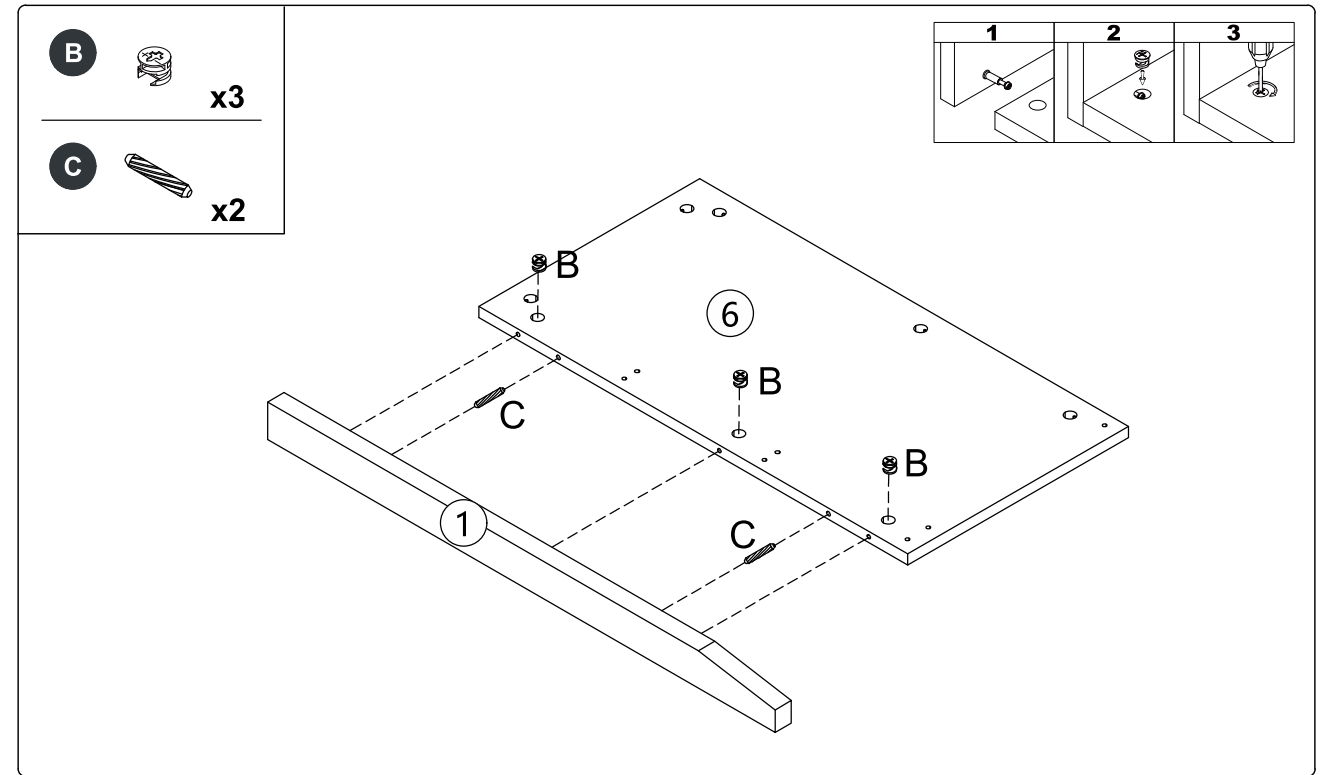
Screw hardware (A) into the holes of parts (#1) and (#2).

Step 4



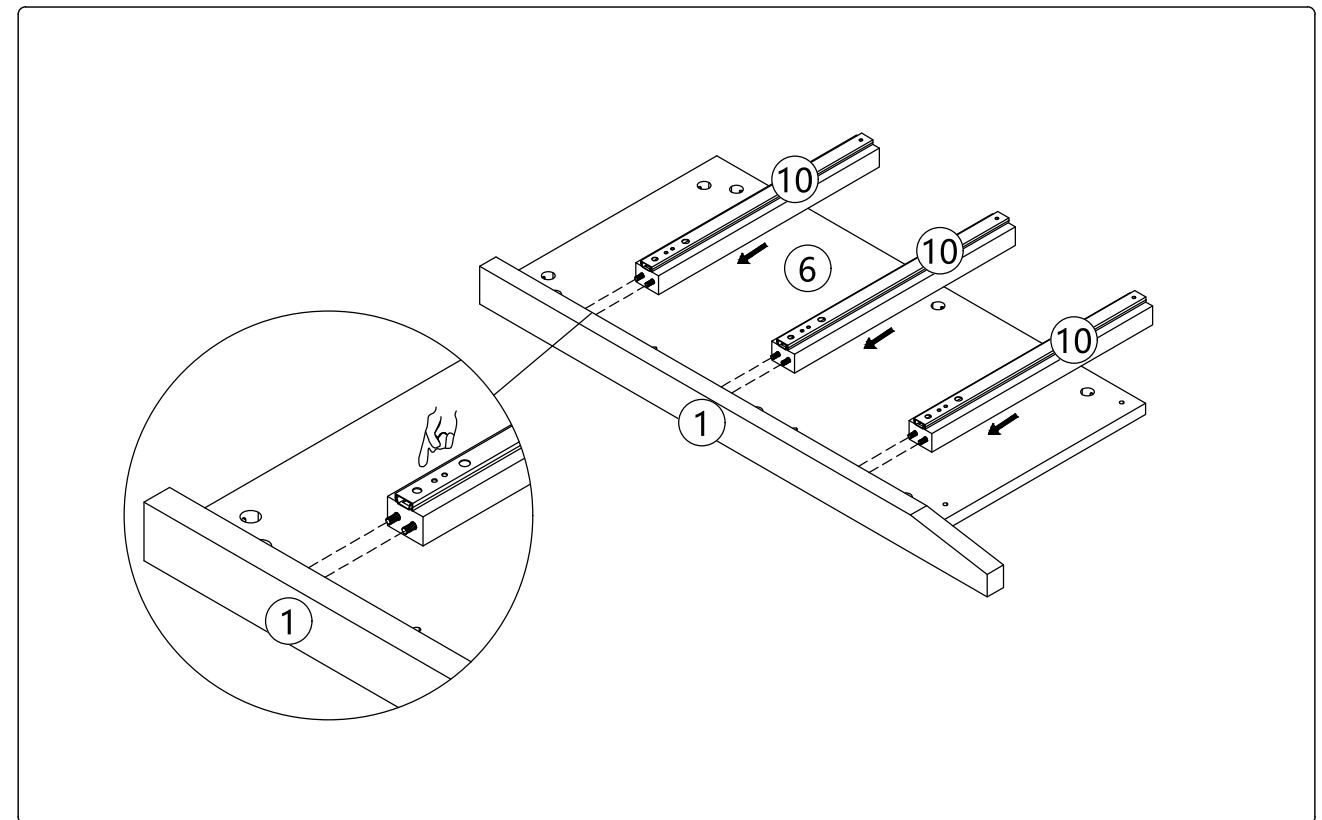
Screw hardware (A) into the holes of parts (#3) and (#4).

Step 5



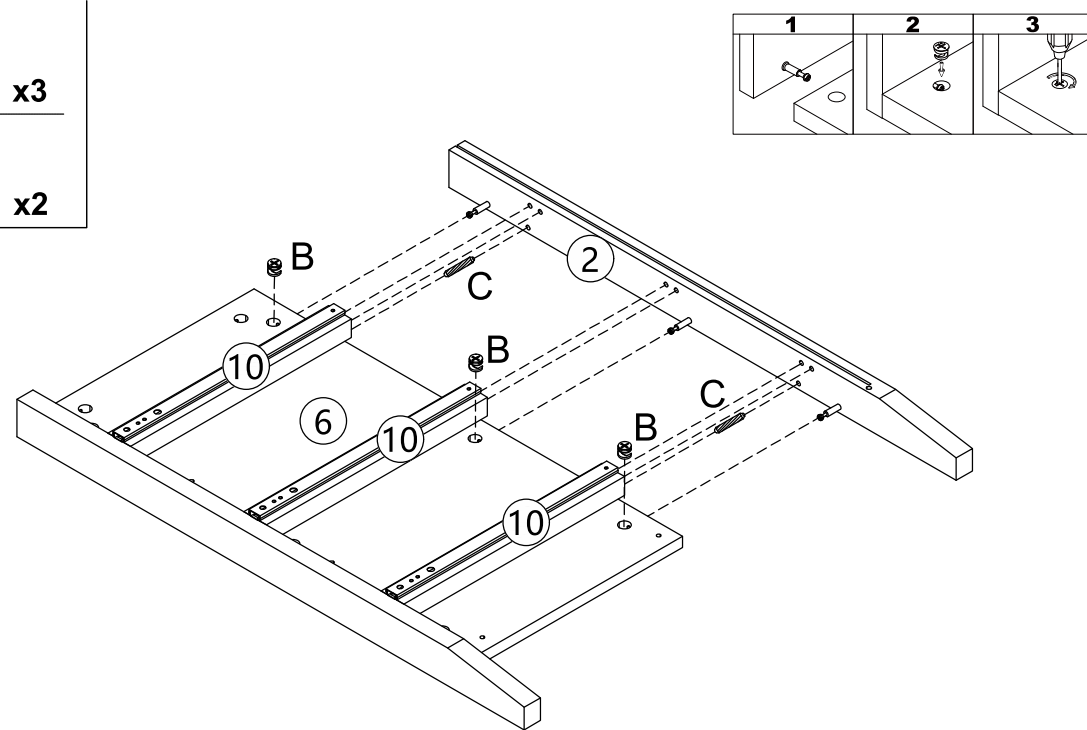
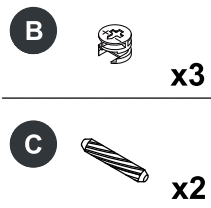
Connect parts (#1) and (#6) using dowels (C), then secure them with hardware (B).

Step 6



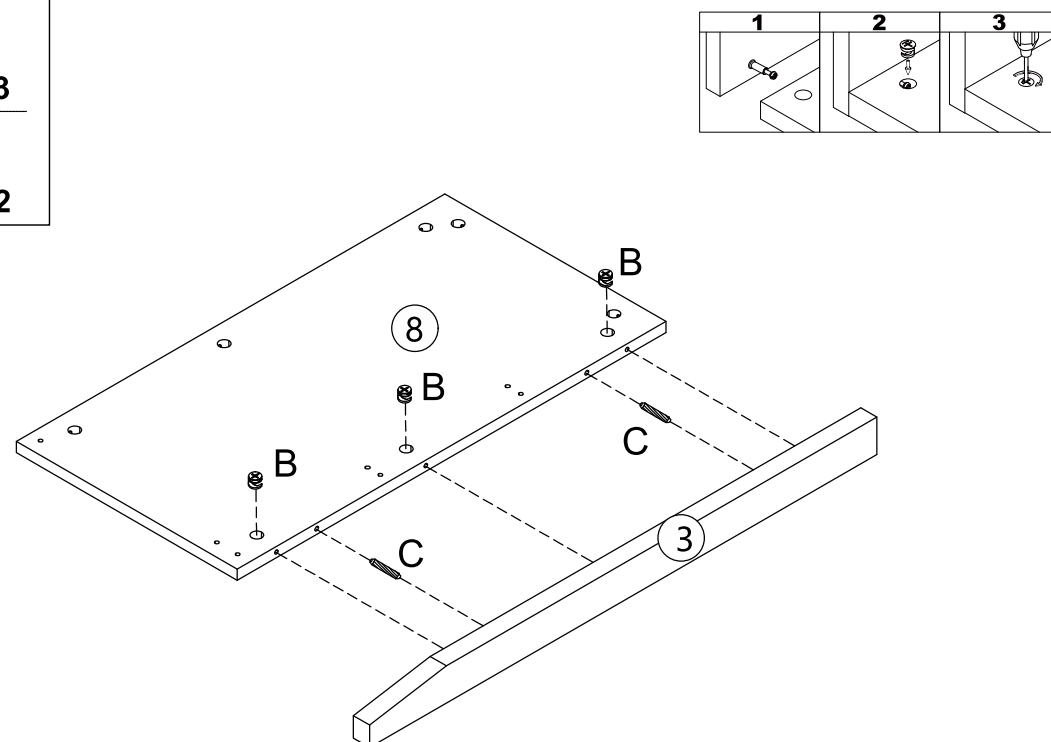
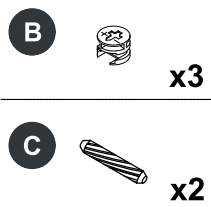
On part (#6), connect parts (#1) and (#10) following the arrow direction. Ensure that the side with more rail holes faces part (#1).

Step 7



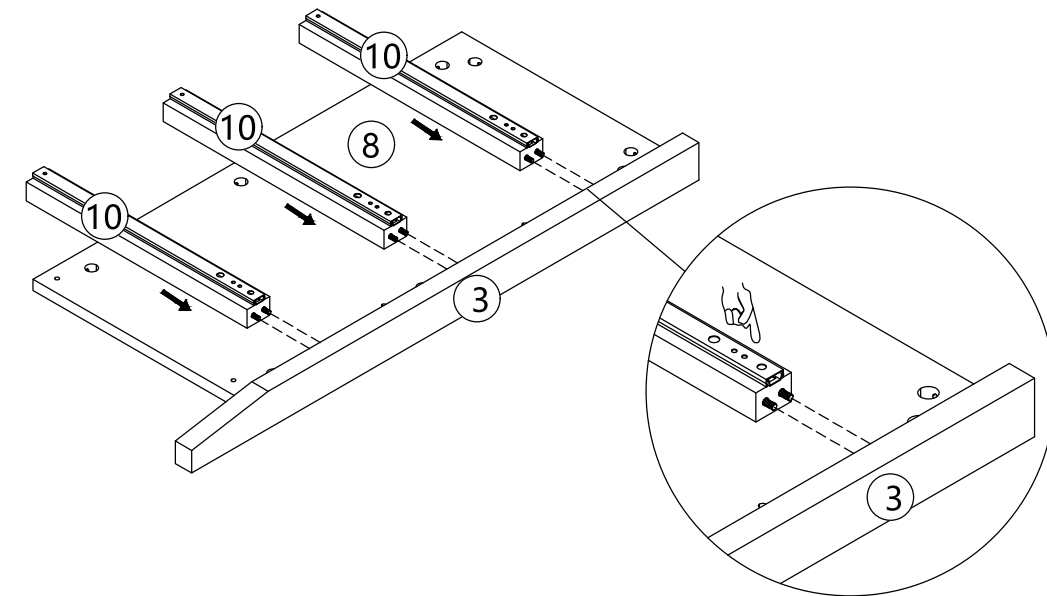
Connect parts (#2) and (#6) using dowels (C), then secure with hardware (B).

Step 8



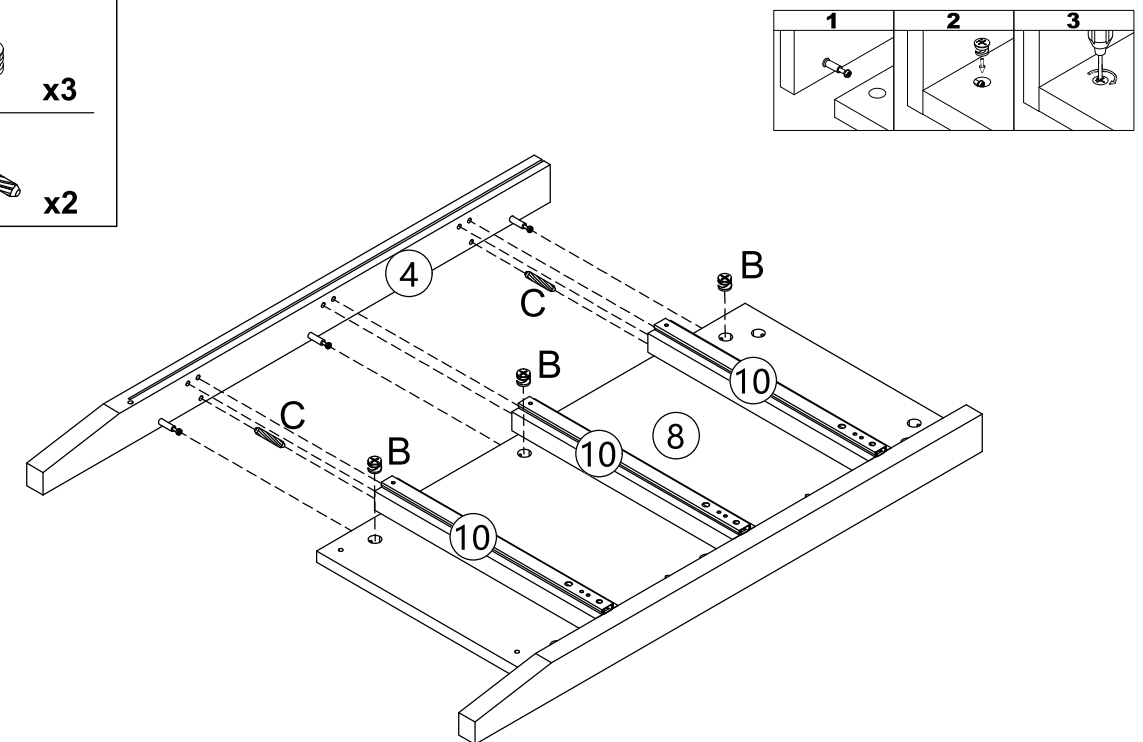
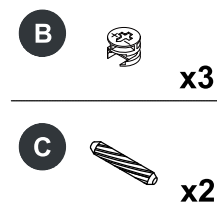
Connect parts (#3) and (#8) using dowels (C), then secure with hardware (B).

Step 9



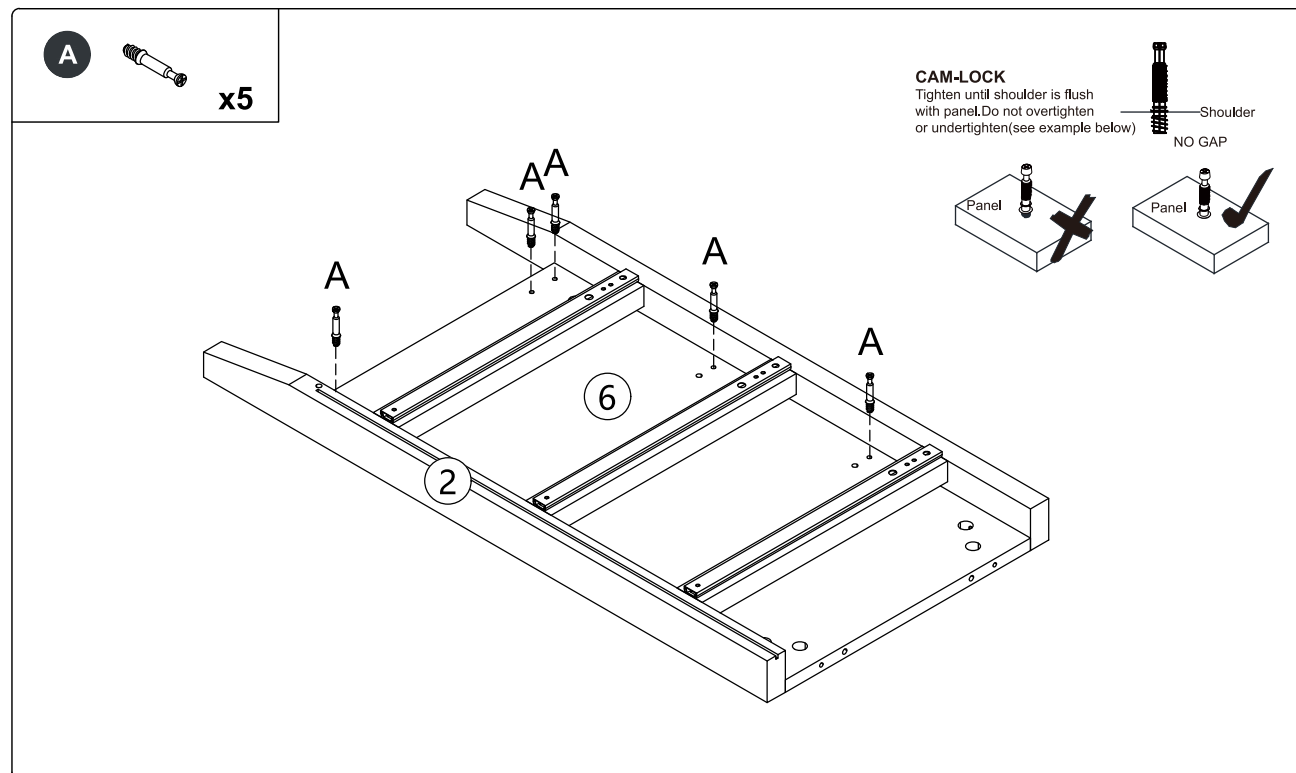
On part (#8), connect parts (#3) and (#10) following the arrow direction. Ensure that the side with more rail holes faces part (#3).

Step 10



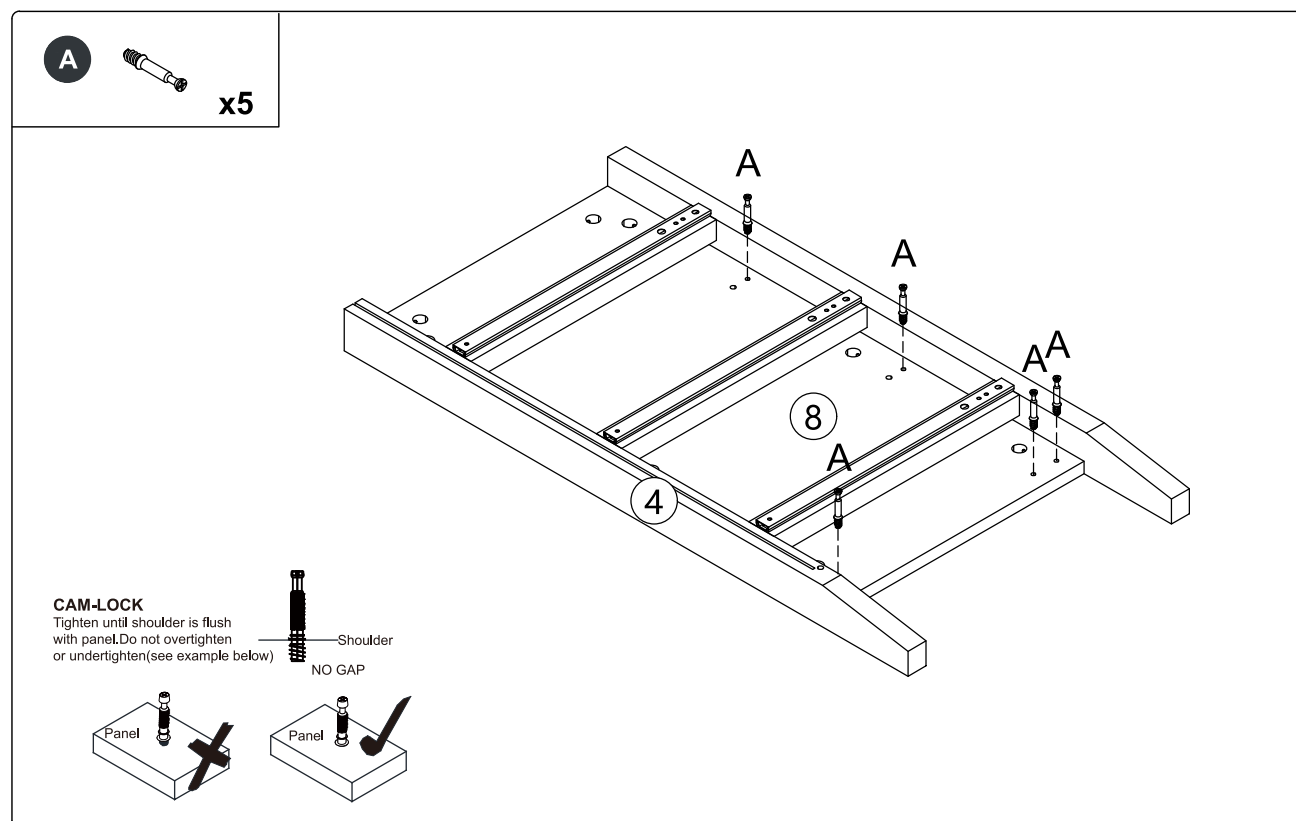
Connect parts (#4) and (#8) using dowels (C), then secure with hardware (B).

Step 11



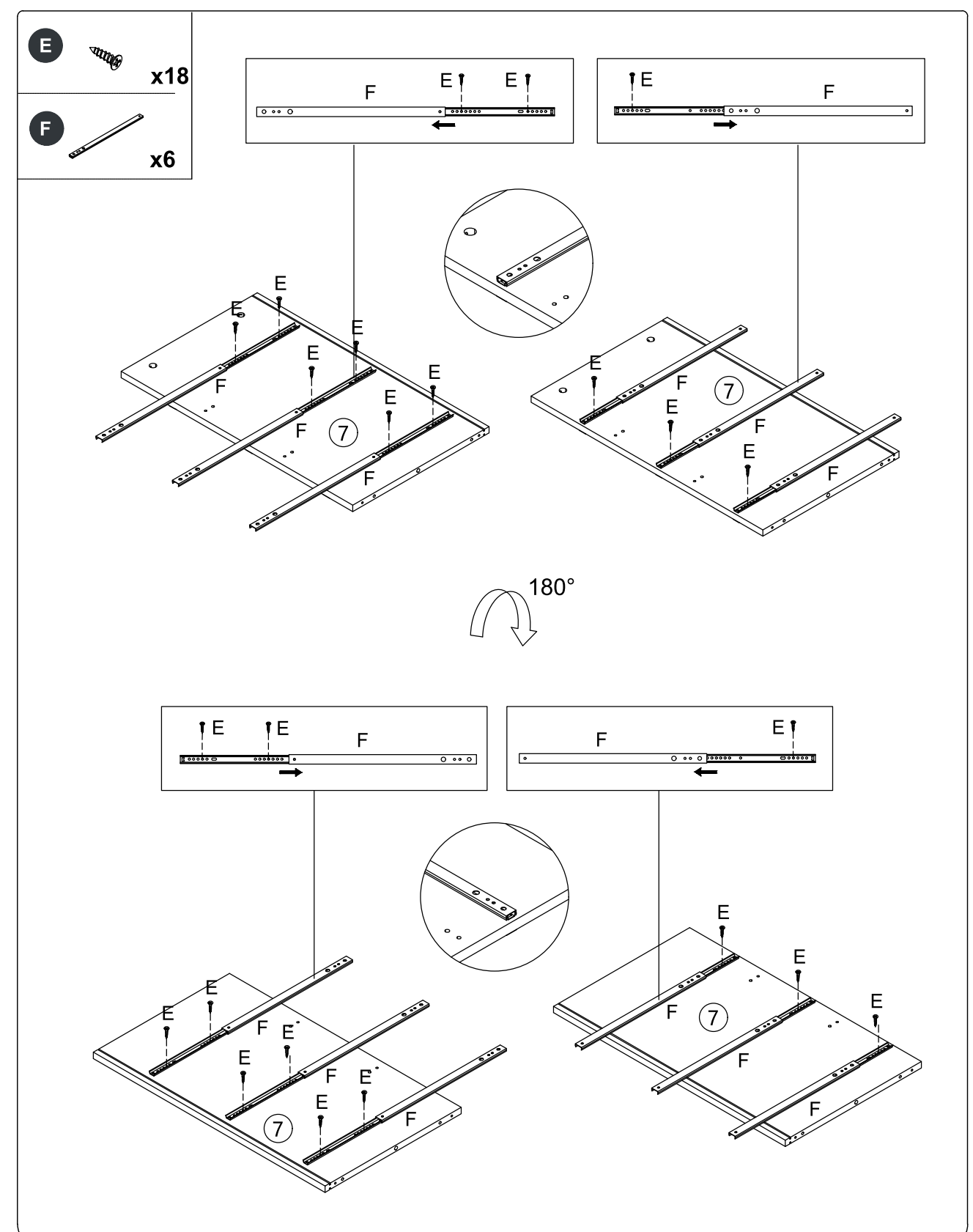
Screw hardware (A) into the holes of part (#6).

Step 12



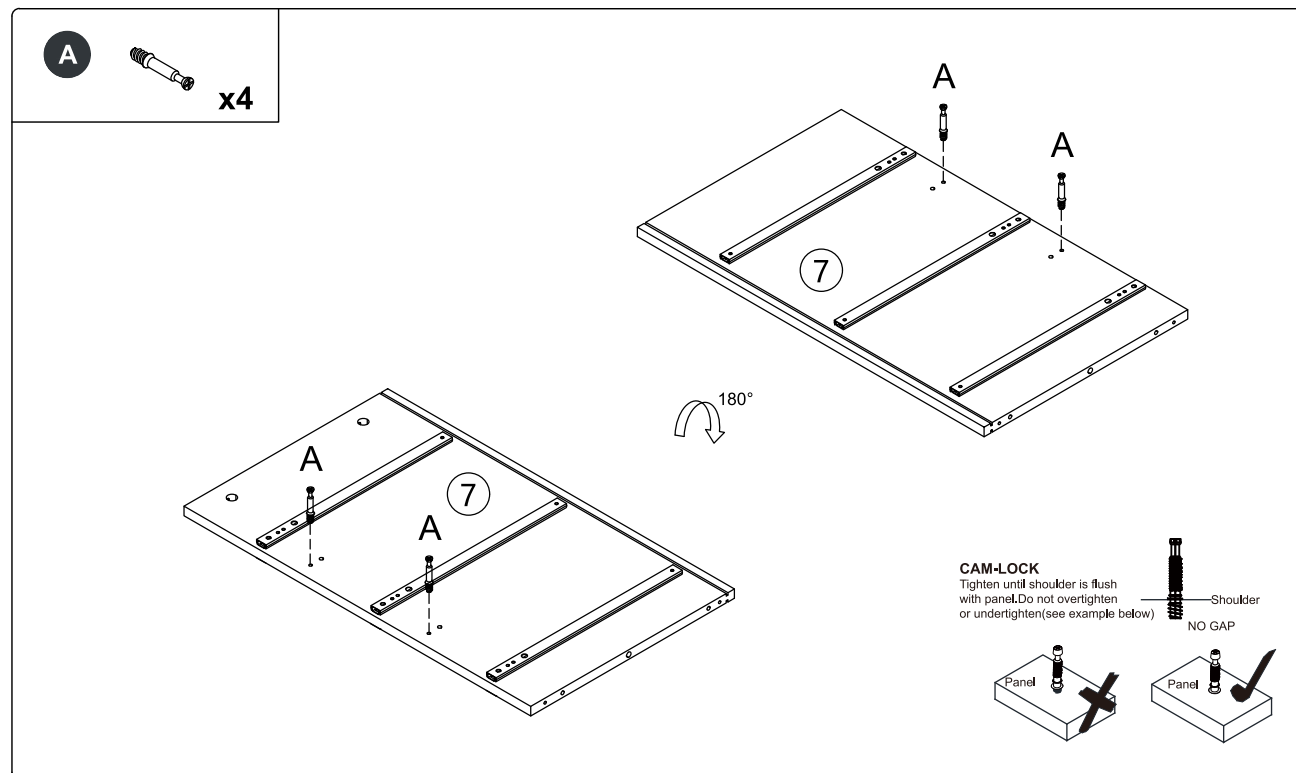
Screw hardware (A) into the holes of part (#8).

Step 13



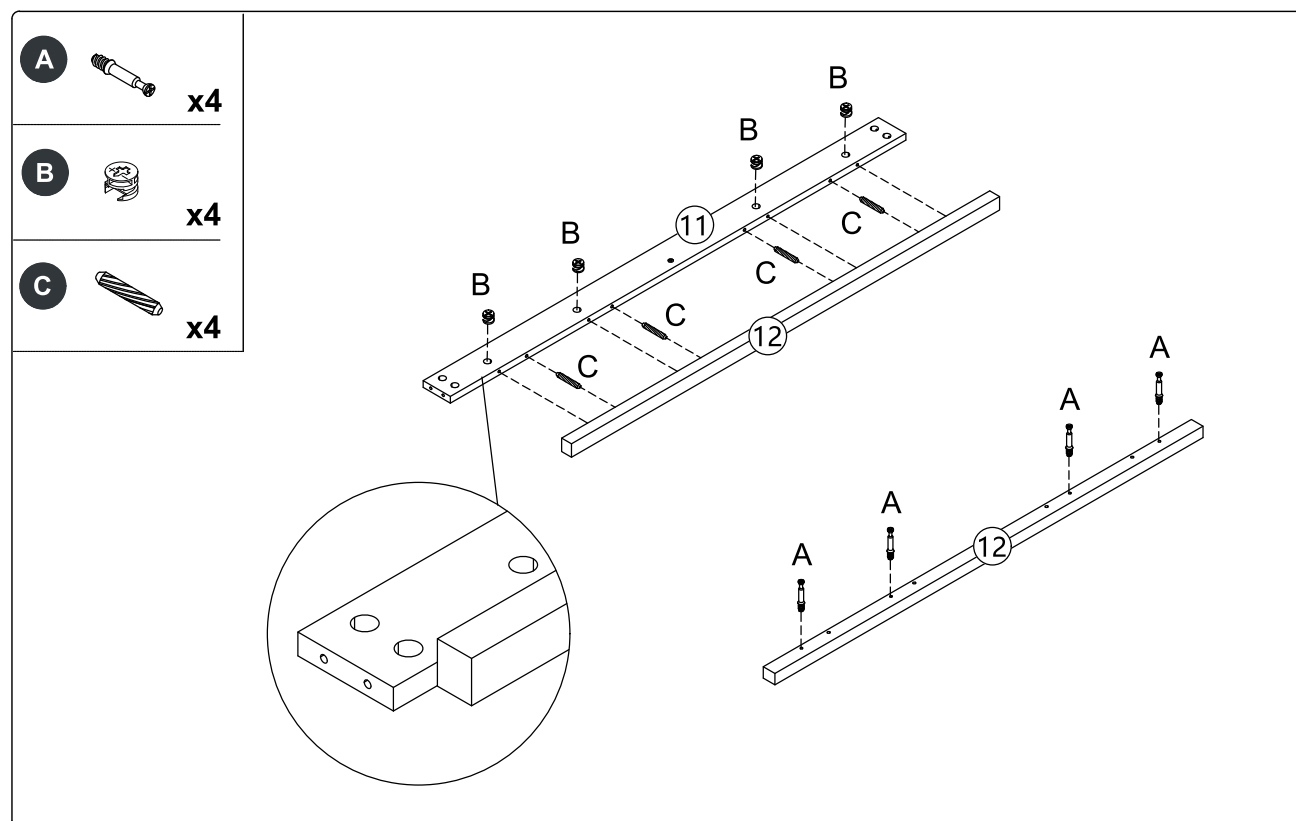
Install the drawer rails (F) on both sides of part (#7), ensuring that the side with more rail holes faces the side without grooves. After installing one side, rotate the rail 180° and repeat on the other side. Note that rail hole positions differ on each side.

Step 14



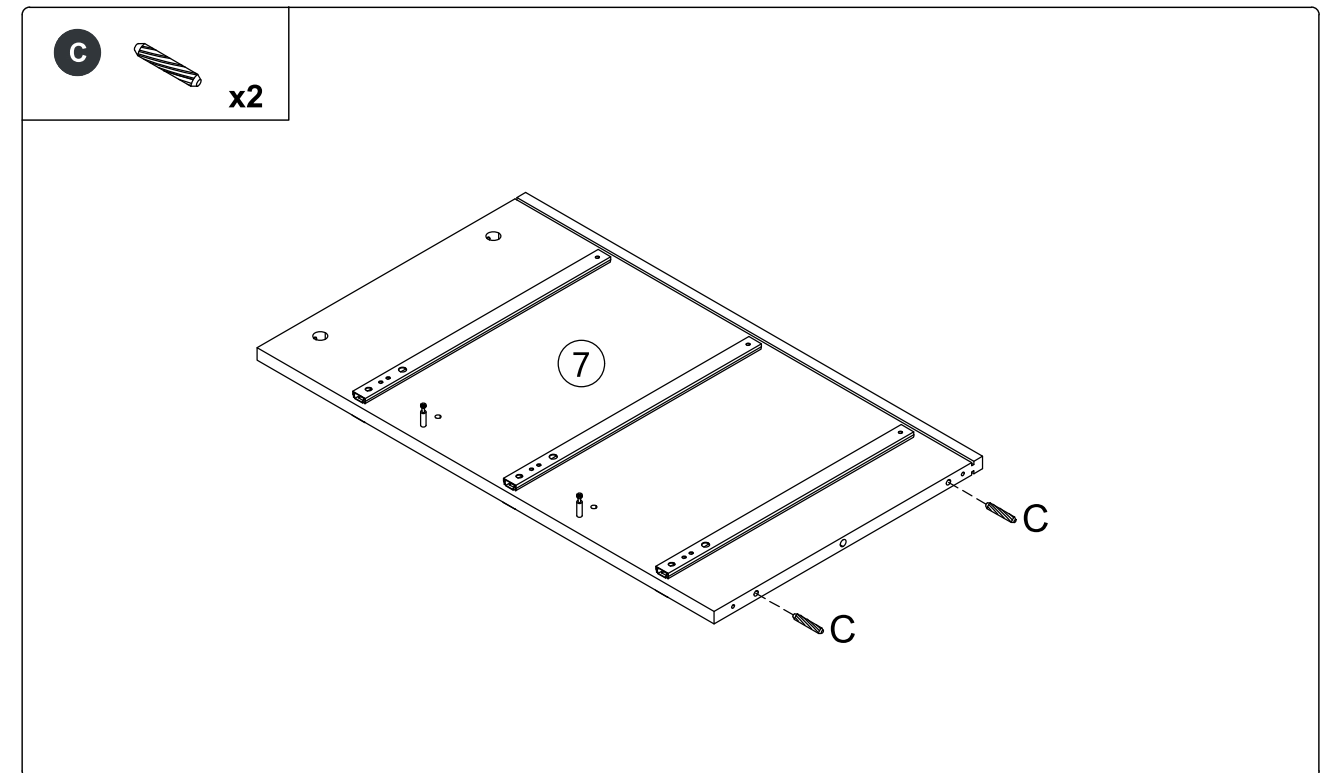
Screw hardware (A) into the holes of part (#7). After installing one side, rotate 180° and repeat on the other side.

Step 15



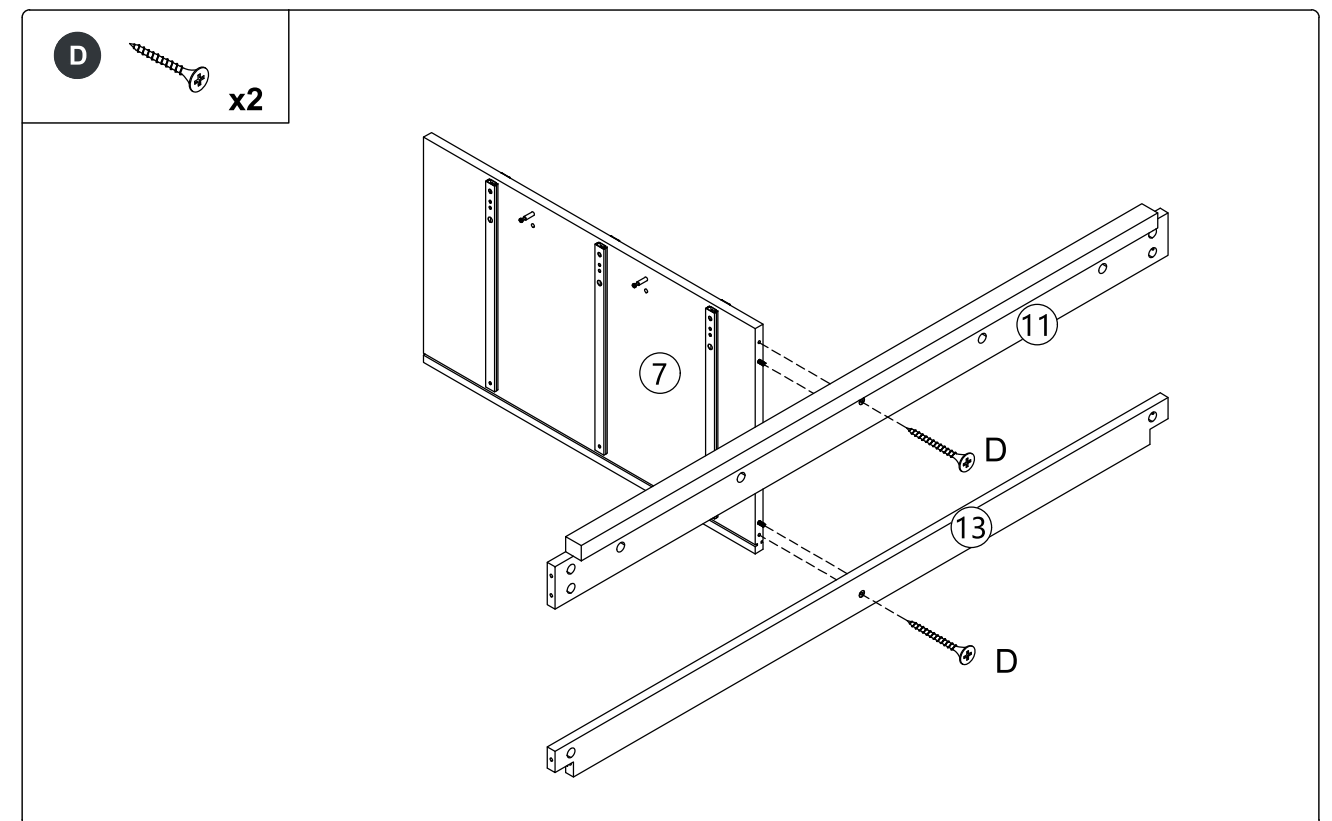
Screw hardware (A) into the holes of part (#12). Insert dowels (C) to connect part (#11) to part (#12), then secure with hardware (B).

Step 16



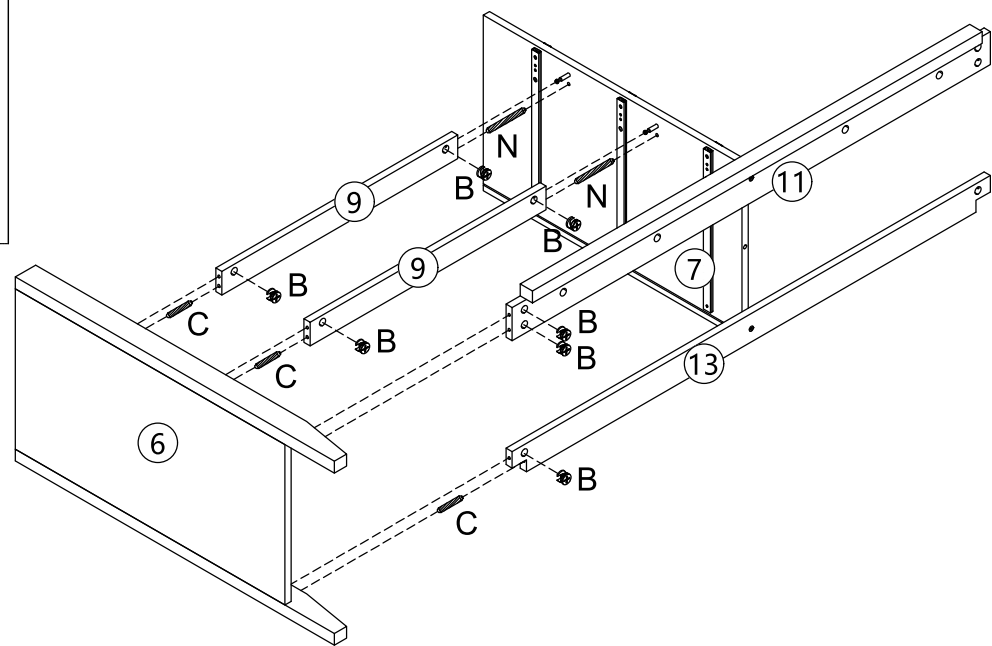
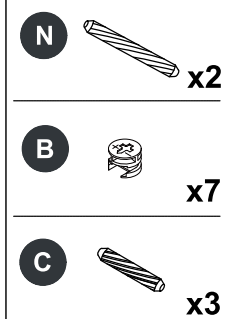
Insert dowels (C) into the bottom of part (#7).

Step 17



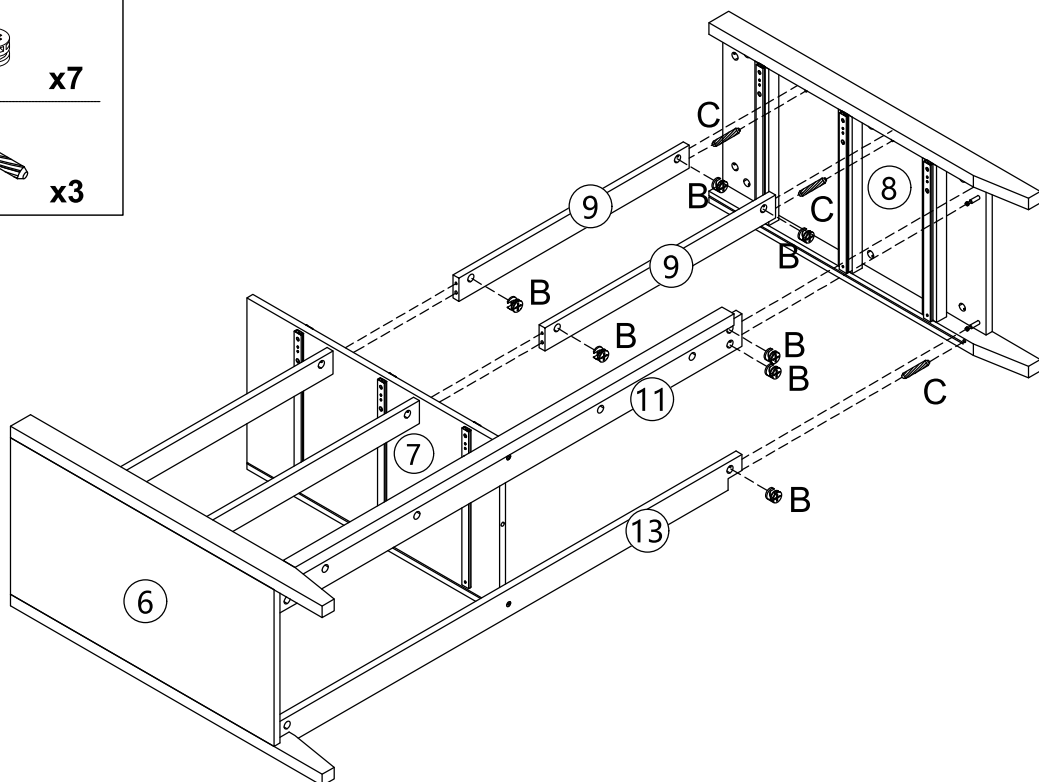
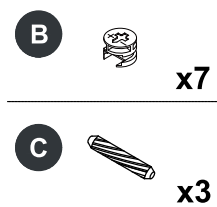
Connect parts (#11) and (#13) to part (#7) and secure with screws (D).

Step 18



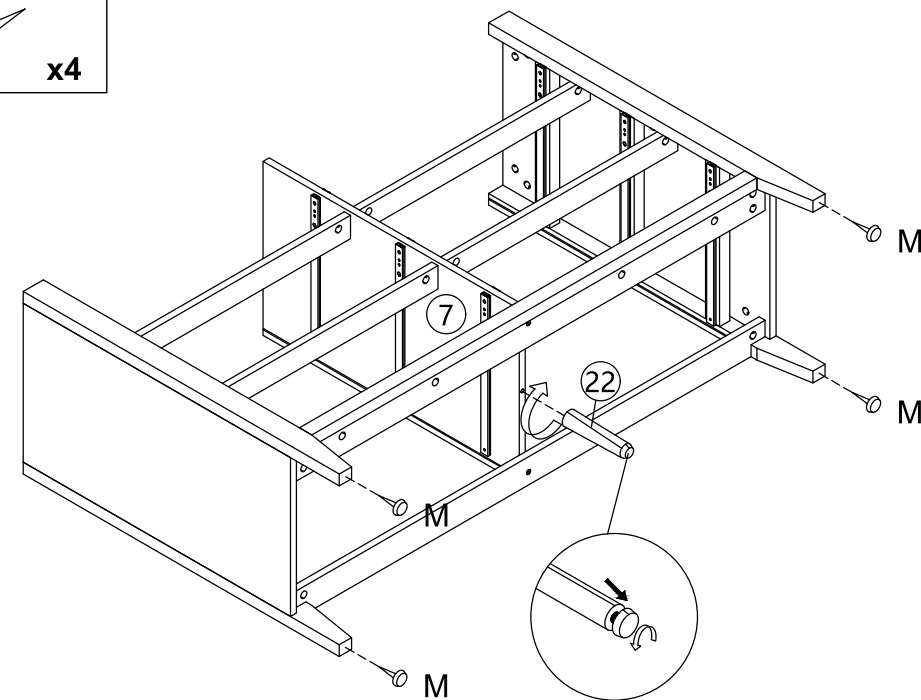
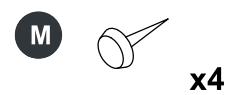
1. Connect part (#9) to part (#7) using long dowel (N), then secure with hardware (B).
2. Insert dowels (C) into part (#9) and connect parts (#6), (#7), (#9), (#11), and (#13). Secure with hardware (B).

Step 19



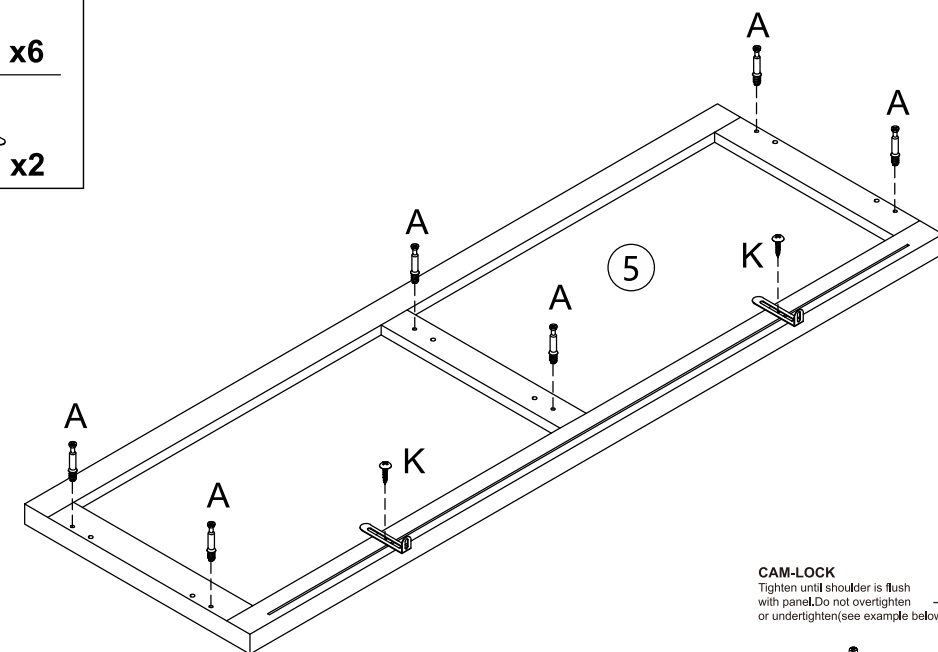
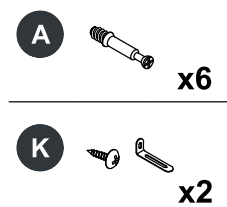
1. Insert part (#9) into part (#7) and secure with hardware (B).
2. Insert dowels (C) into part (#9) and connect parts (#8), (#11), (#13), (#14), and (#15). Secure with hardware (B).

Step 20

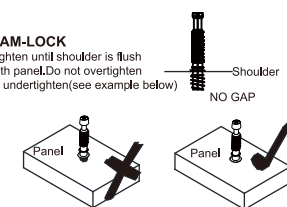


- Tap foot pegs (M) into the bottoms of all four legs. Screw adjustable feet (#22) clockwise into the pre-drilled holes in part (#7). The height of foot (#22) can be adjusted.

Step 21

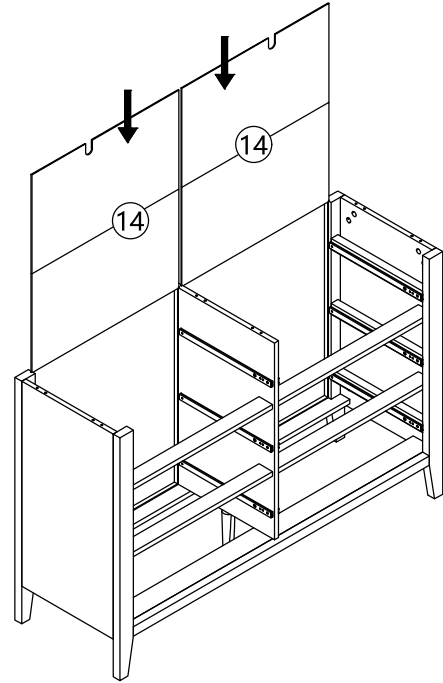


CAM-LOCK
Tighten until shoulder is flush with panel. Do not overtighten or undertighten (see example below).



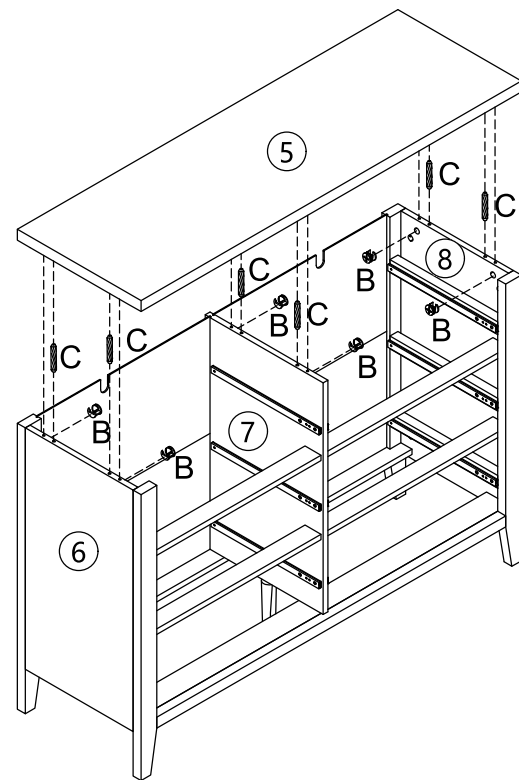
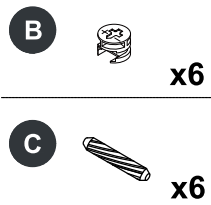
- Screw hardware (A) into the holes of part (#5). Use screws (K) to install the anti-tip metal plate (L).

Step 22



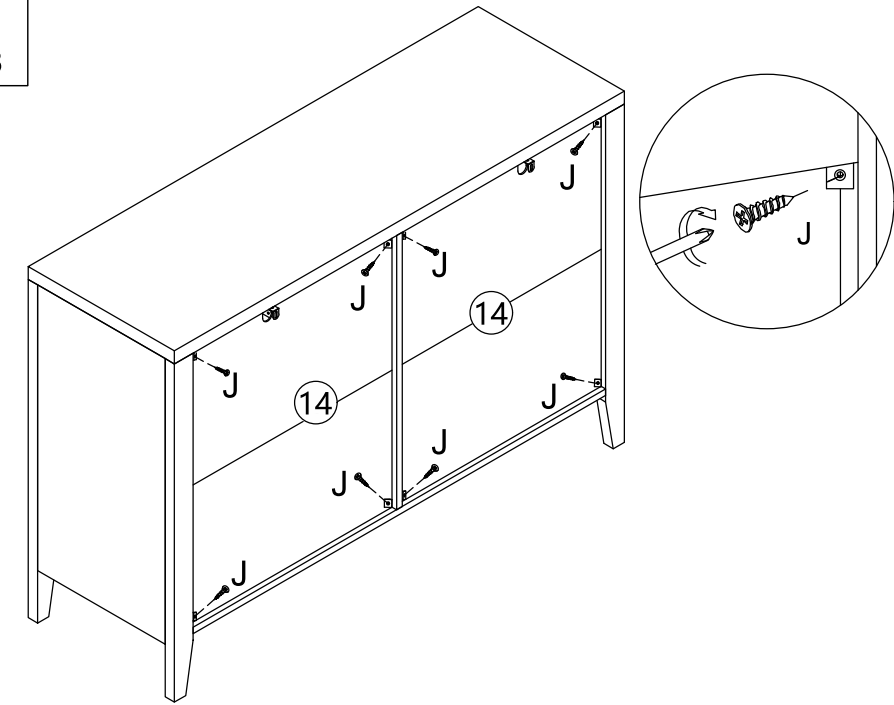
Insert part (#14).

Step 23



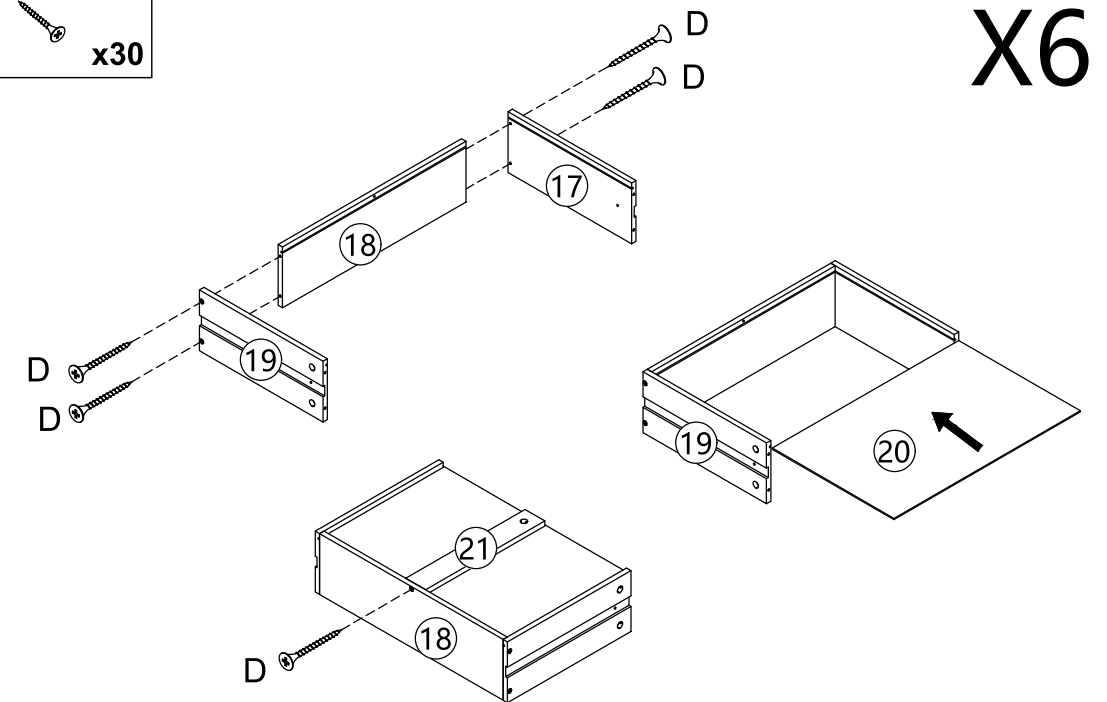
Insert dowels (C) into parts (#6), (#7), and (#8). Connect them to part (#5) and secure with hardware (B).

Step 24



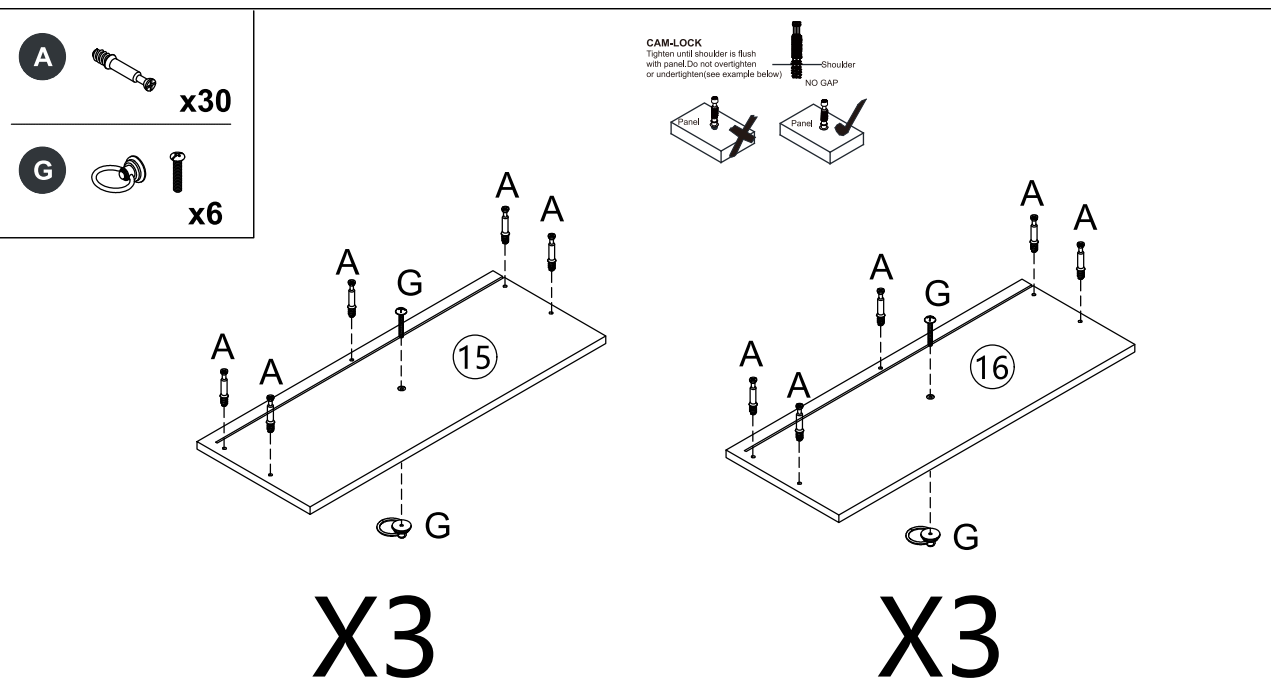
Use screws (J) to secure the white clips to part (#14), fixing the back panel in place.

Step 25



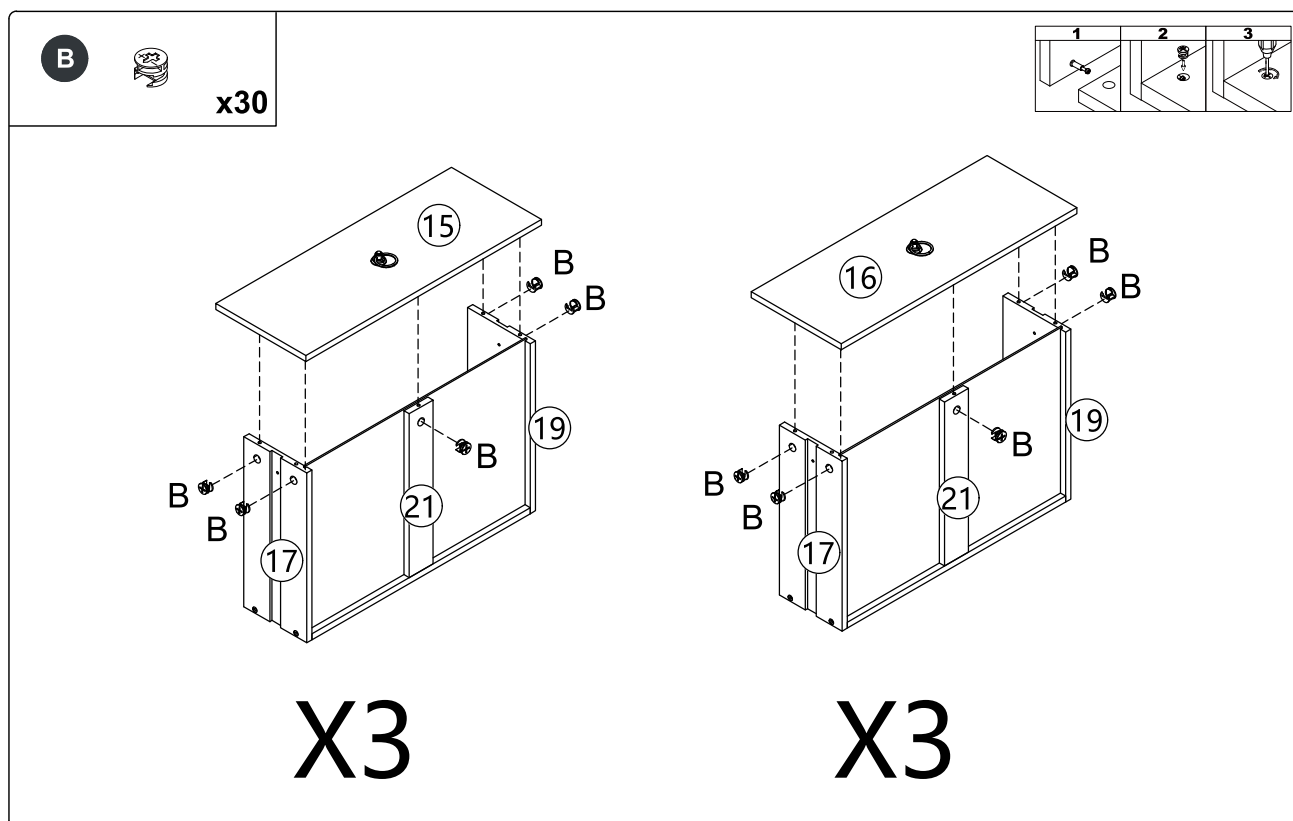
1. Use screws (D) to connect parts (#17), (#18), and (#19), then secure them.
2. Insert part (#20).
3. Use screws (D) to connect parts (#18) and (#21). Secure all parts.
4. Repeat this entire step for six additional sets.

Step 26



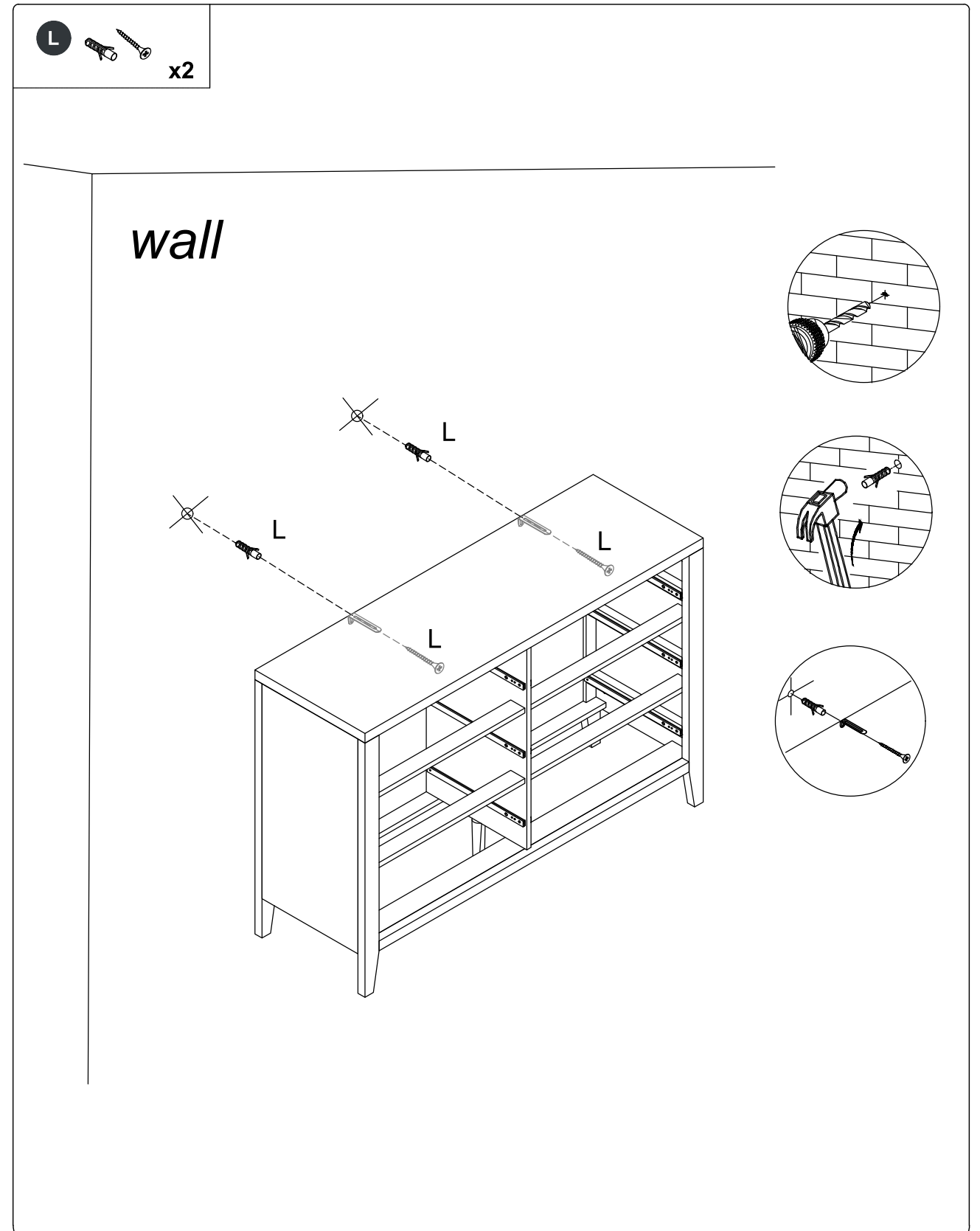
1. Screw hardware (A) into the holes of part (#15). Install the handle using screws (G) in the center hole. Repeat this procedure for a total of three sets.
2. Screw hardware (A) into the holes of part (#16). Install the handle using screws (G) in the center hole. Repeat this procedure for a total of three sets.

Step 27



1. Connect parts (#15), (#17), (#19), and (#21) with hardware (B). Repeat for three sets.
2. Then connect parts (#16), (#17), (#19), and (#21) with hardware (B). Repeat for three sets.

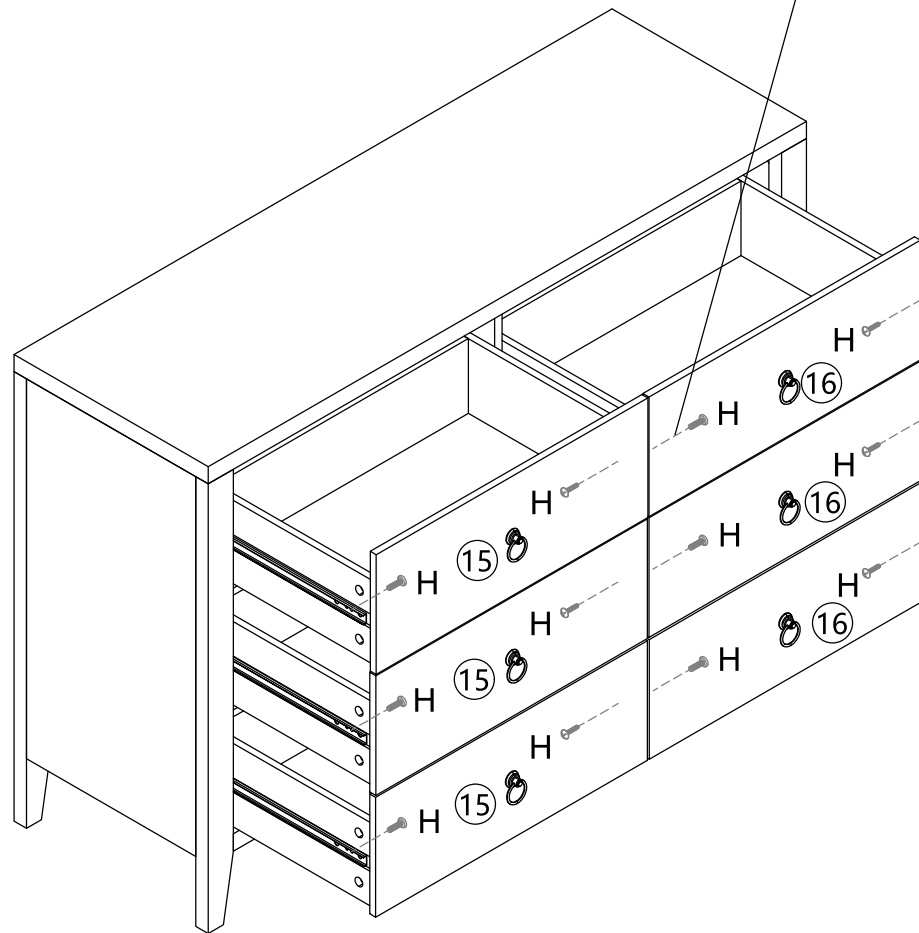
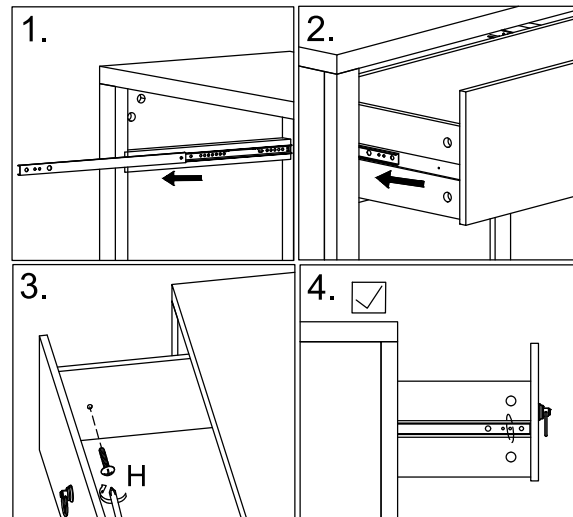
Step 28



1. Drill holes in the wall.
2. Insert expansion plugs.
3. Use screws (L) to securely fasten the cabinet to the wall.

Step 29

H  x12



1. Pull out the drawer rail. Slide the groove on the side of the drawer into the drawer rail.
2. Use screws (H) to secure the rail from inside the drawer outward.
3. Rail holes are counted from right to left; use the second hole.

Step 30



Assembly is complete