



BADGER
B A S K E T



PINK STRIPE 1-2-3 CONVERTIBLE DOLL BUNK BED

Assembly and Use Instructions. Adult assembly Required.

Read all instructions before use.

**This manual is part of the product and
must be saved for future reference.**



MODEL NUMBER*:

18581

VERSION CODE*:

1.0/0416/TG

** Model and Version numbers are needed if
replacement parts are requested*



**If you need product
parts, see below or Page 2!**

FOR REPLACEMENT PARTS:

Go to our web site: <http://www.badgerbasket.com/parts>

Or scan QR code at right with your smartphone



1.0/0416/TG



BEFORE YOU BEGIN ASSEMBLY:

Check all parts. If anything is missing or not satisfactory, please **DO NOT** call the store or return the product to them. Please go online to:

<http://www.badgerbasket.com/parts>

Most problems are resolved without you needing to leave home.

When contacting us, please have this instruction manual, your product model number, and your Version Code ready.

Your Model Number is: 18581

Your Version Code is: 1.0/0416/TG



WARNING

ADULT ASSEMBLY REQUIRED
DUE TO THE PRESENCE OF SMALL PARTS AND SHARP POINTS DURING ASSEMBLY, KEEP OUT OF REACH OF CHILDREN UNTIL ASSEMBLY IS COMPLETE.




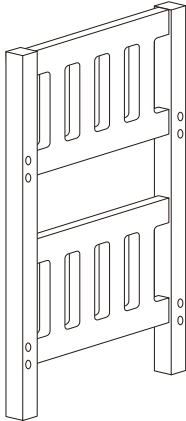
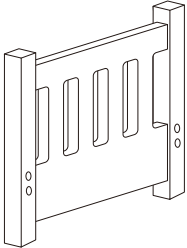
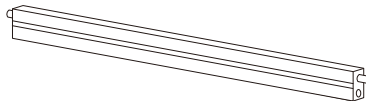

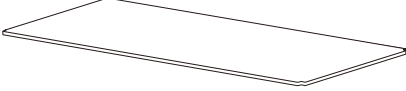

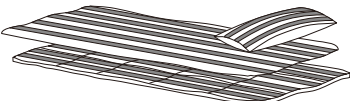

WARNING - CAUTION

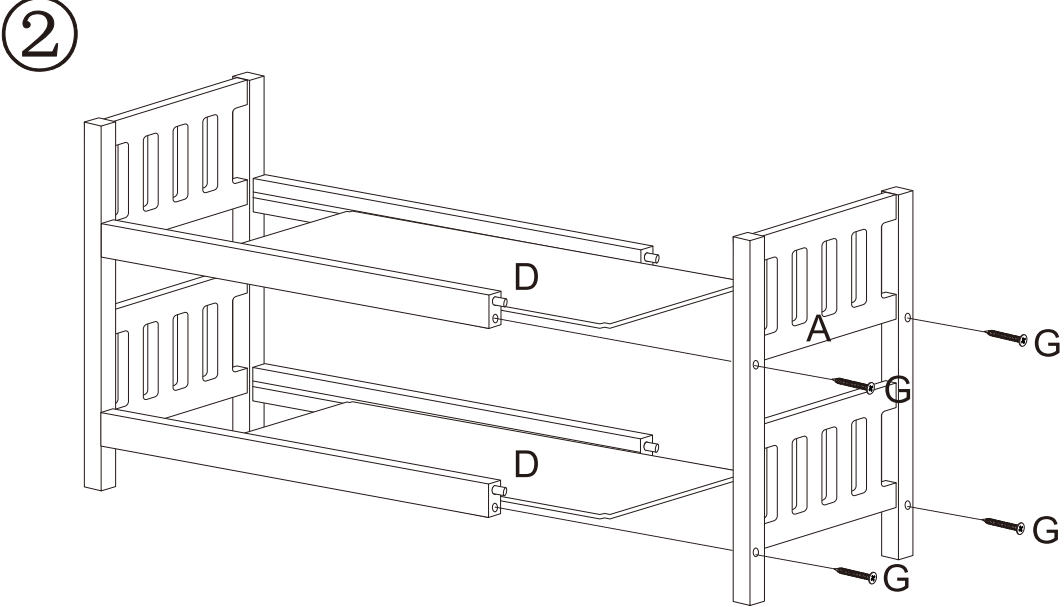
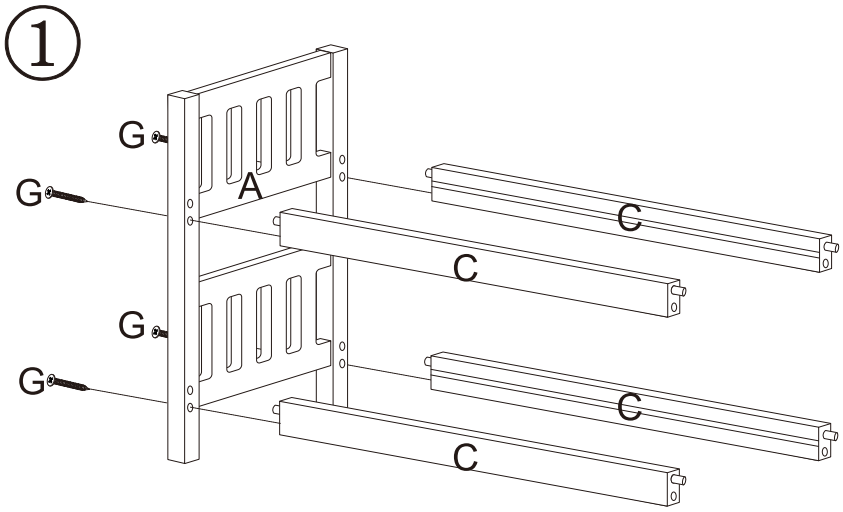
READ ALL INSTRUCTIONS before use of this product. Use only the parts and hardware provided by Badger Basket. Keep instructions for future use. Do not use the product if it is damaged or broken. Periodically inspect the product to ensure all parts remain tight. **This item is a toy for dolls only. It is never to be used for real infants or pets. No product is a substitute for adult supervision. Always supervise your child during play.** For children ages three (3) years and older. Never sit on or stand on the toy.

CARE INSTRUCTIONS:

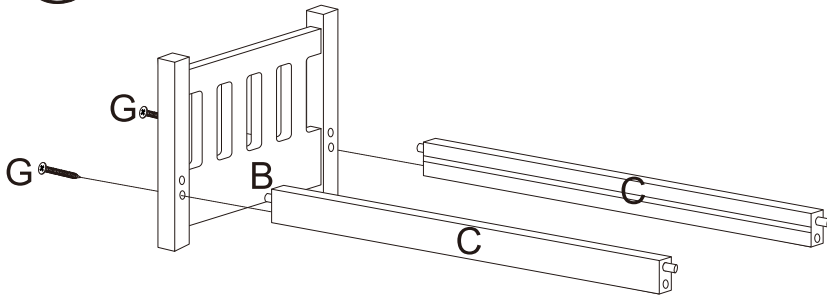
Spot clean fabric with cold water and mild detergent and air dry.
Wipe the wood/MDF frame clean as needed with a damp cloth and dry thoroughly.

⊕ 
TOOL REQUIRED (NOT INCLUDED)

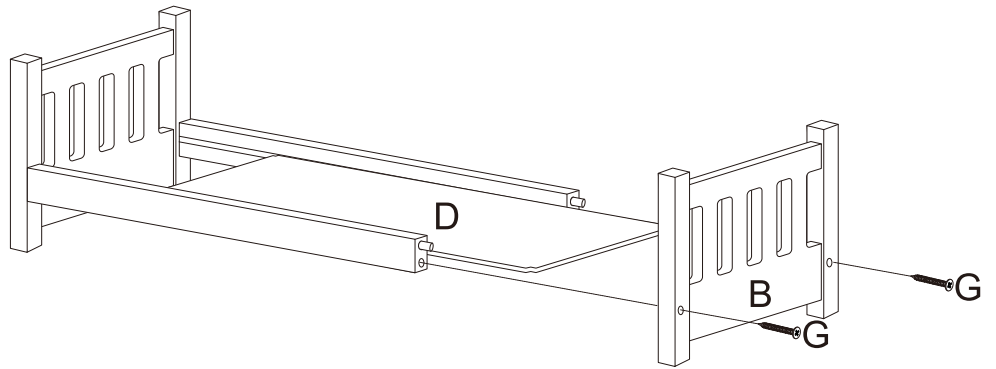
 <p>DOUBLE SIDE Ax2</p>	 <p>SINGLE SIDE Bx2</p>	 <p>RAIL Cx6</p>	 <p>CONNECTOR & SCREW Fx4</p>
		 <p>BOTTOM PANEL Dx3</p>	 <p>SCREW Gx12</p>
		 <p>PILLOW, BLANKET, PADDED MAT Ex3 SETS</p>	 <p>Ø4X45</p>



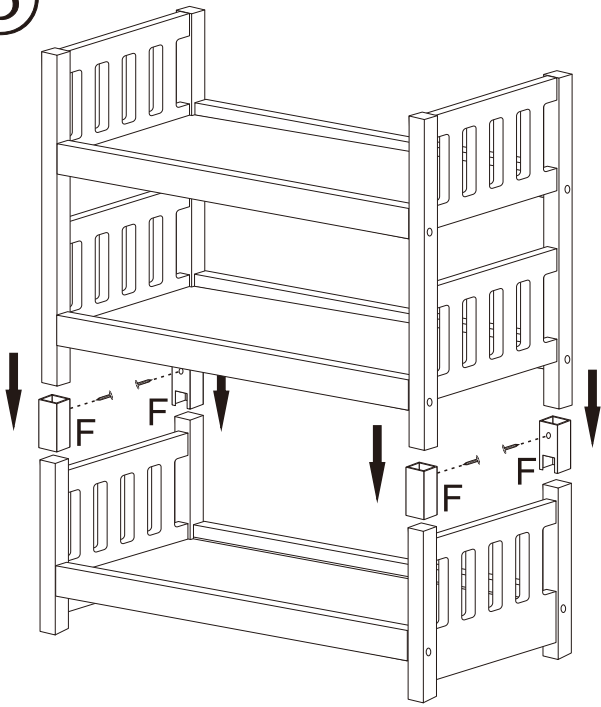
③



④



⑤



⑥

