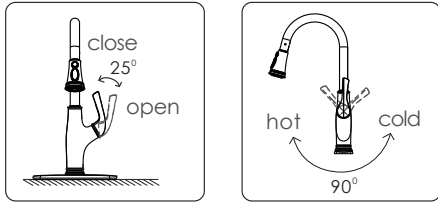


## BEFORE INSTALLATION

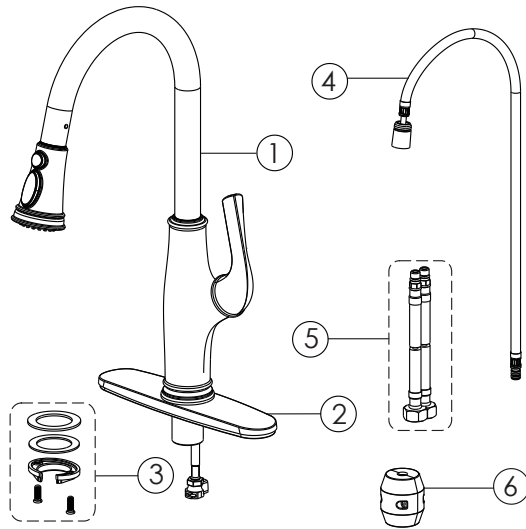
- To insure proper installation, please read the following instructions carefully.
- Please make sure that the water supply has been shut off at the stop valve.
- NEWATER reserves the right to update product without notice.

## Application Instruction

Gradually pull the handle, it will be more advangeous to protect the cartridge.



## Standard Part List



NO.	Part Name	Quantity
1	Body Assy	1
2	Plate	1
3	Fitting Assy	1
4	Pull Hose	1
5	Inlet Hose	2
6	Heavy Ball	1

- Every once in a while, please rinse the faucet with lukewarm soapwater , and wipe it clean with a soft duster cloth.
- Please avoid any abrasive cleaners, steel wools, or corrosive chemicals.

## Installation Steps

**1**

1. Make sure there is a 35-37 mm Hole on the basin before fix the mixer, Unscrew the ③ fitting ASSY from the bottom of the ① body, then get the ① body through the hole, don't forget to fix the O-ring between the bottom of the ① body and the basin.

**2**

2. According the remove step to screw up the fixing set to the mixer below the basin.

**3**

3. Install the ⑥ heavy ball on the tube at the suitable position first, press the tube into the quick connector.

**4**

4. Connect the ⑤ Inlet Hose from the body, "Red" for connecting to the hot water, and "Blue" for connecting to the cold water.