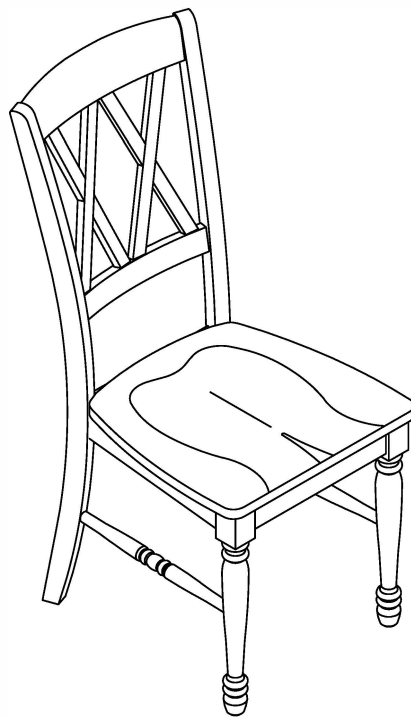
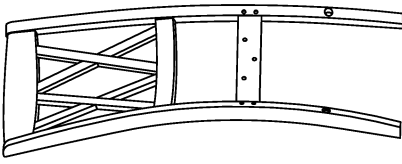
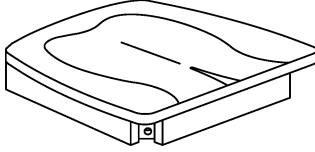
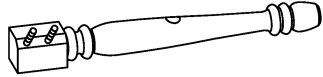
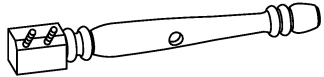
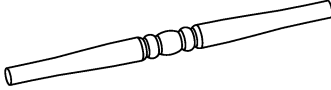


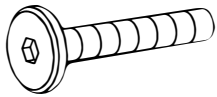
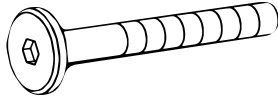

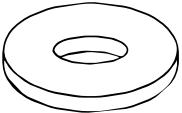
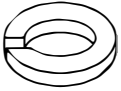
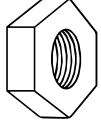
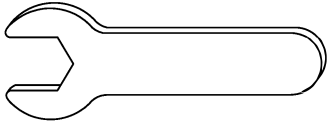

# Dining Chair



# PART LIST

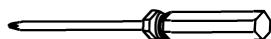
|   |   |   |
|---|---|---|
| <p><b>A</b></p>  | <p><b>B</b></p>  | <p><b>C</b></p>  |
| <p>Chair Back<br/>1 PC</p>  | <p>Seat Frame<br/>1 PC</p>  | <p>Left Front Leg<br/>1 PC</p>  |
| <p><b>D</b></p>  | <p><b>E</b></p>  |   |
| <p>Right Front Leg<br/>1 PC</p>   | <p>Side Stretcher<br/>2 PCS</p>   |   |

# HARDWARE LIST

|  |  |  |
|--|--|--|
| <p><b>#1</b></p>  <p>1-3/4" x Ø1/4" x D12</p> | <p><b>#2</b></p>  <p>3-3/8" x Ø1/4" x D12</p> | <p><b>#3</b></p>  <p>1/8" x 1-1/2"L</p> |
| <p>Short Bolt<br/>3 PCS</p>  | <p>Long Bolt<br/>4 PCS</p>   | <p>Screw<br/>4 PCS</p>   |
| <p><b>#4</b></p>                              | <p><b>#5</b></p>                              | <p><b>#6</b></p>                        |
| <p>Flat Washer<br/>11 PCS</p>  | <p>Spring Washer<br/>11 PCS</p>  | <p>Nut<br/>4 PCS</p>   |
| <p><b>#7</b></p>                              | <p><b>#8</b></p>                              |  |
| <p>Wrench<br/>1 PC</p>   | <p>Allen Key<br/>1 PC</p>  |  |

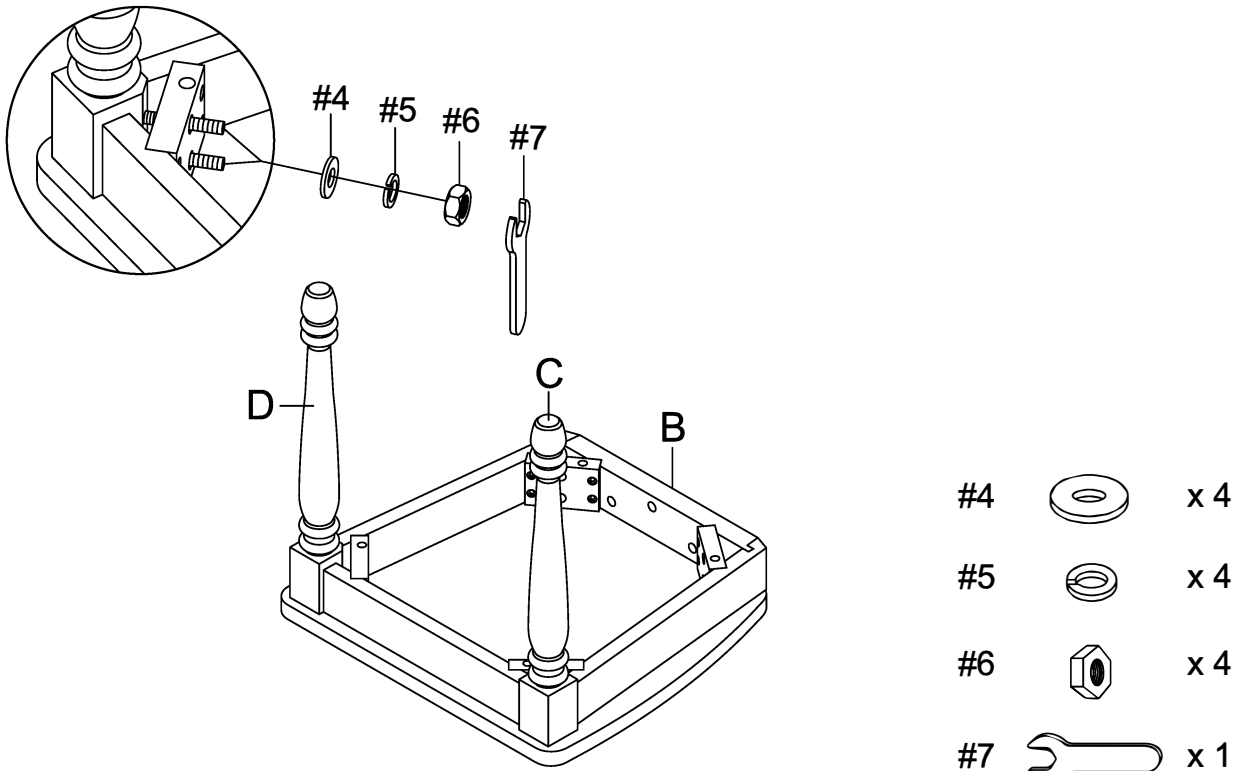
## ADDITIONAL TOOLS (Not Provided)

Note: It is not recommended to use power tools during assembly.

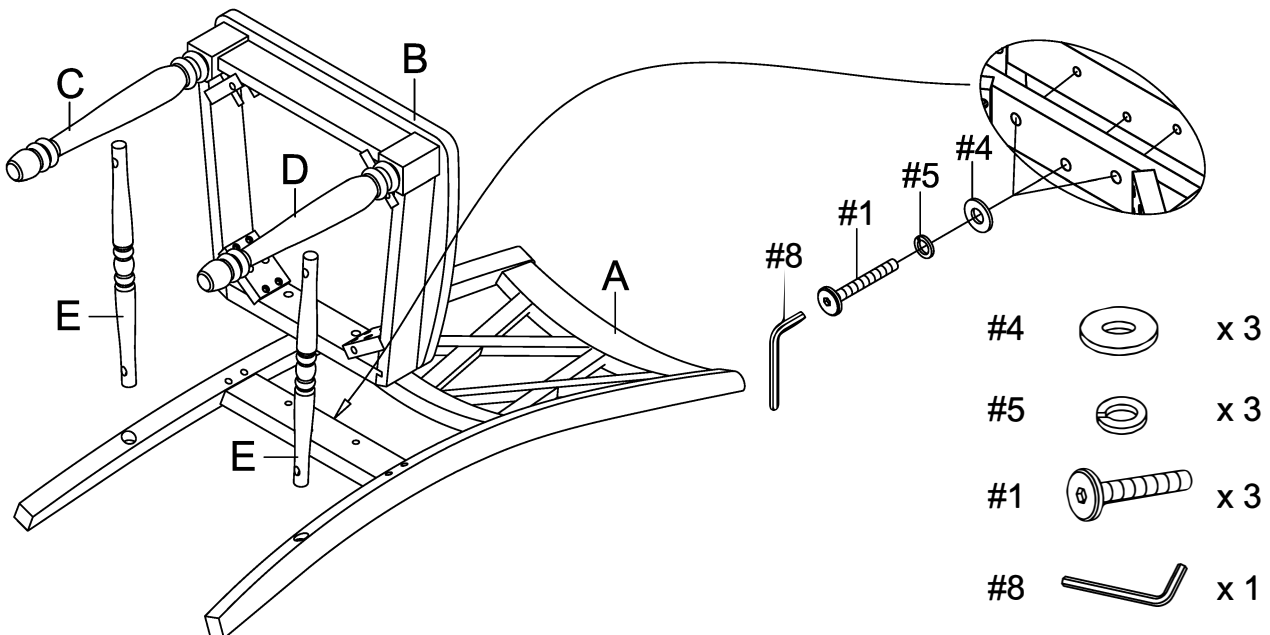


Phillips Head Screw Driver

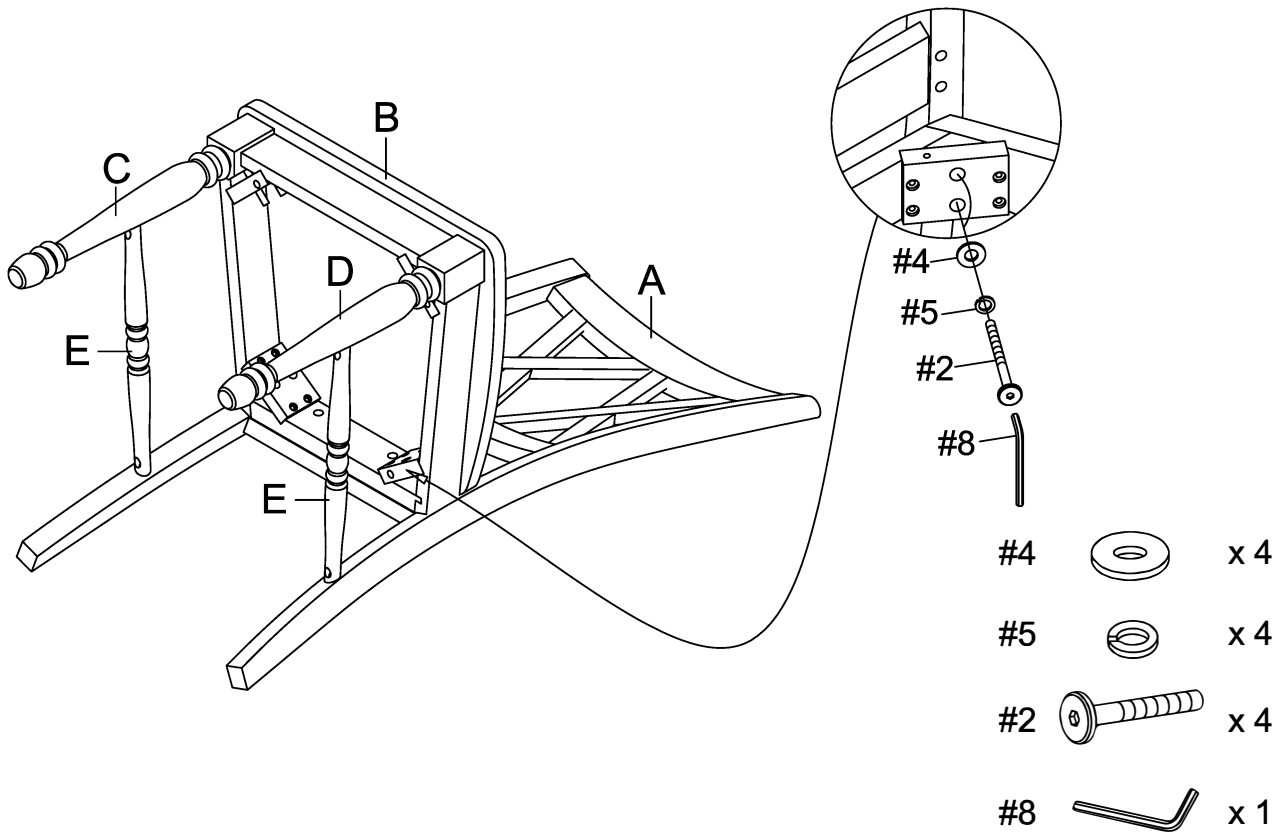
Step 1. Carefully turn seat frame (part #B) upside down on a soft protective surface such as a carpet. Attach left front leg (part #C) and right front leg (part #D) to seat frame (part #B) by using flat washers (part #4), spring washers (part #5), nuts (part #6) and wrench (part #7).  
 Note: Please do not fully tighten bolts until unit is fully assembled.



Step 2. Carefully turn the chair back (part #A) upside down. Attach assembled parts (part #B, #C & #D) to chair back (part #A) by using side stretchers (part #E), flat washers (part #4), spring washers (part #5), short bolts (part #1) and Allen key (part #8).



Step 3. Insert flat washers (part #4), spring washers (part#5), long bolts (part #2) into the holes at corner of seat frame (part #B) and chair back (part #A) and tighten by using Allen key (part #8).



Step 4. Insert screws (part #3) into the holes of side stretchers (part #E) and tighten by a Phillips head screw driver.

Note: Please fully tighten all bolts at this time.

