

BETTER HOME PRODUCTS

ASSEMBLY INSTRUCTIONS

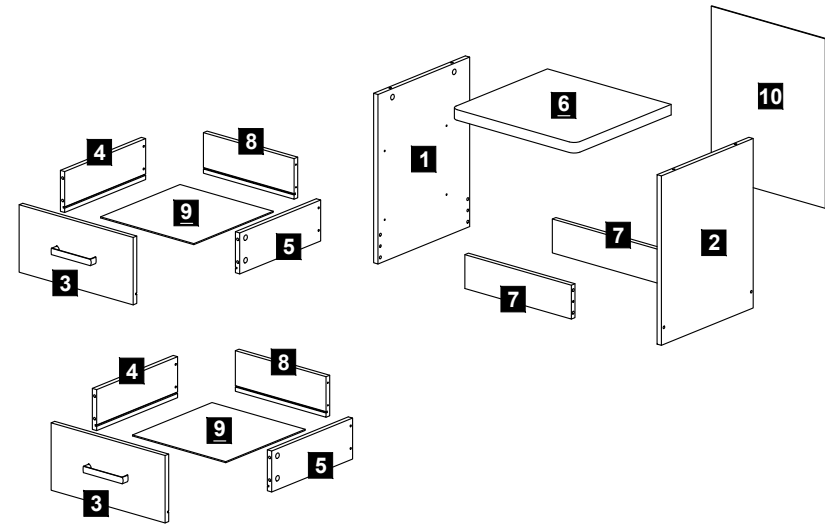
NTR



| Hardware List | | | |
|---------------|--|--------------------------|--------------|
| A2 | | Screw m3.5 x 14mm | 42 pcs |
| A7 | | Screw m4 x 30mm | 4 pcs |
| A10 | | Screw m4 x 38mm | 8 pcs |
| A17 | | Screw m6.3 x 40mm | 4 pcs |
| A34 | | Euro Screw m5 x 8mm | 8 pcs |
| D6 | | Wood Dowel 8 x 25mm | 8 pcs |
| F2 | | Mini Fix 15mm | 12 sets |
| H15 | | Handle 128mm | 2 pcs |
| L2 | | Plastic Leg L Shape | 4 pcs |
| M6 | | Drawer Metal Slide 350mm | 2 sets |
| N1 | | Allen Key | 1 pc |
| N3 | | Nail | 12 (+-3) pcs |
| R2 | | Single Plastic Cap | 12 pcs |
| Y | | Crosshead Cover | 4 pcs |

MADE IN MALAYSIA

Page 1/14



| Parts List | | |
|------------|-----------------------|-------|
| 1 | Side Panel (L) | 1 pc |
| 2 | Side Panel (R) | 1 pc |
| 3 | Drawer Front Panel | 2 pcs |
| 4 | Drawer Side Panel (L) | 2 pcs |
| 5 | Drawer Side Panel (R) | 2 pcs |
| 6 | Top Panel | 1 pc |
| 7 | Crossbar Panel | 2 pcs |
| 8 | Drawer Back Board | 2 pcs |
| 9 | Big Wood | 2 pcs |
| 10 | Small Wood | 2 pcs |
| 11 | Drawer Bottom Panel | 2 pcs |
| 12 | Backboard | 1 pc |

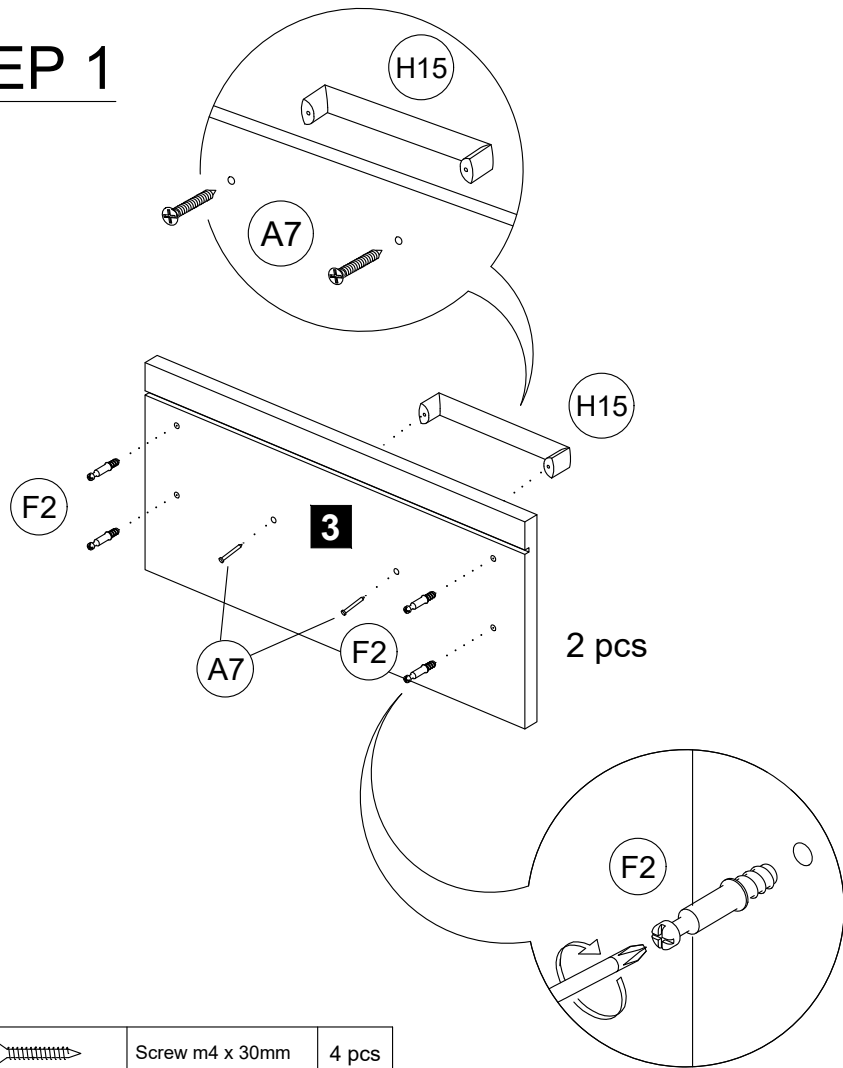


Before starting assembly
please verify if all parts and
hardware are included

MADE IN MALAYSIA

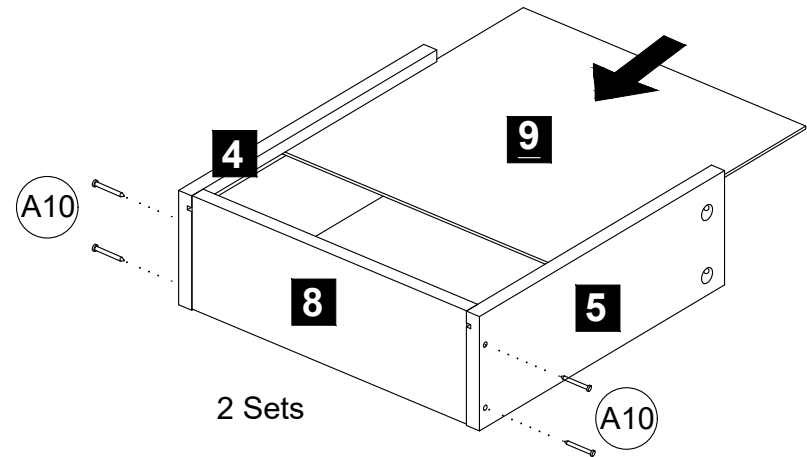
Page 2/14

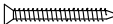
STEP 1



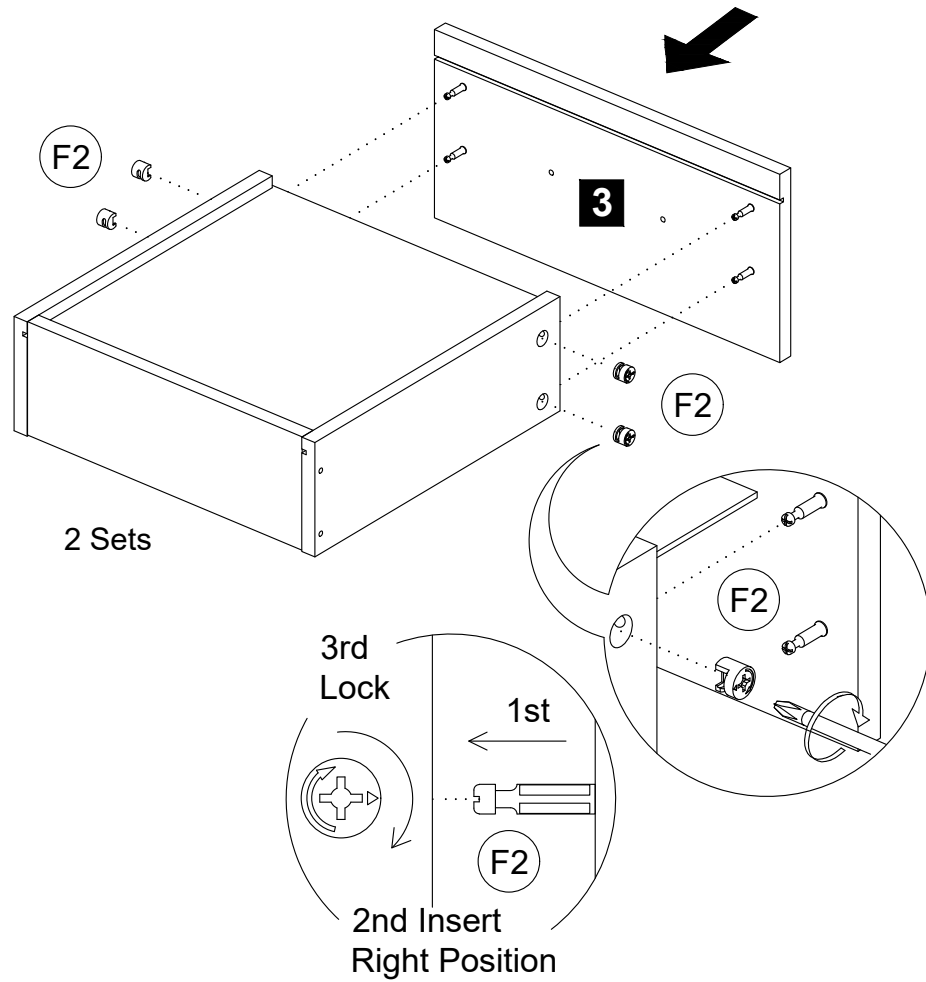
| | | | |
|-----|---|-----------------|-------|
| A7 |  | Screw m4 x 30mm | 4 pcs |
| F2 |  | Mini Fix Bolt | 8 pcs |
| H15 |  | Handle 128mm | 2 pcs |

STEP 2



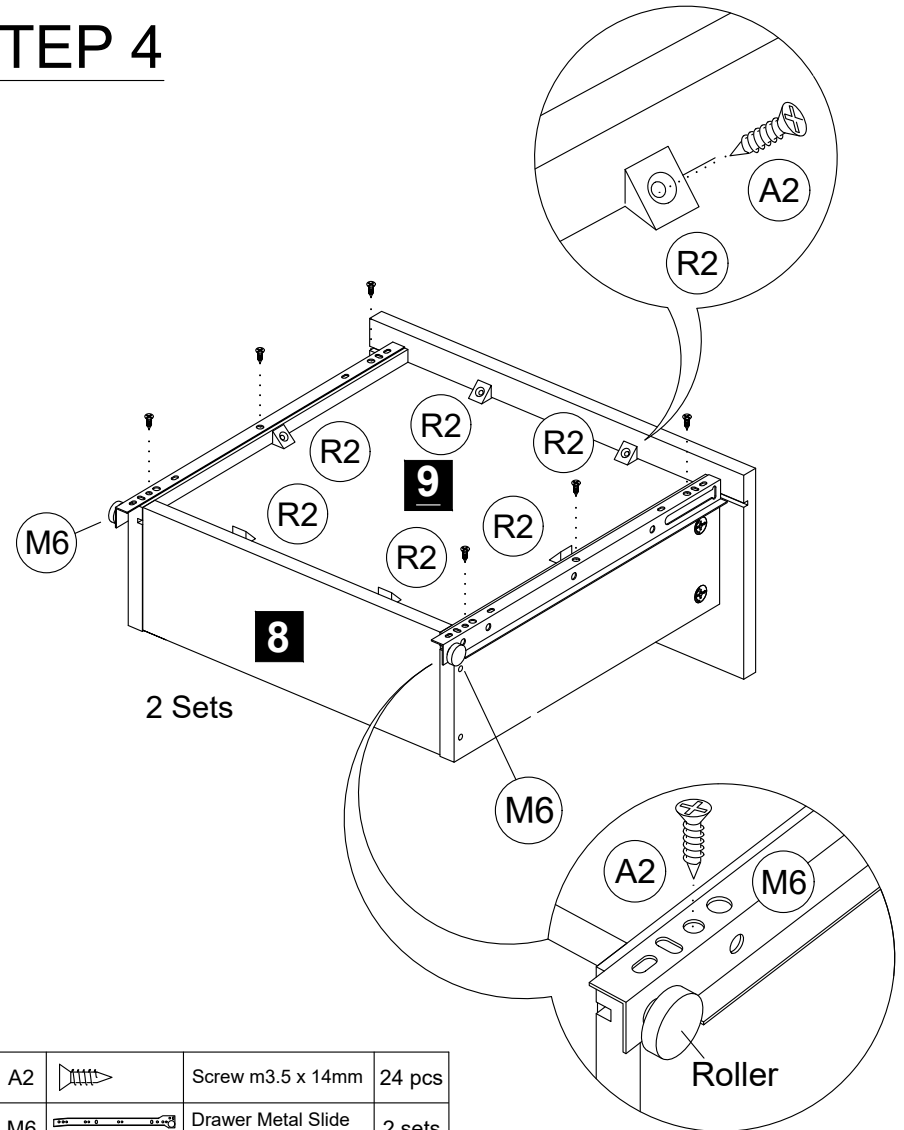
| | | | |
|-----|---|-----------------|-------|
| A10 |  | Screw m4 x 38mm | 8 pcs |
|-----|---|-----------------|-------|

STEP 3



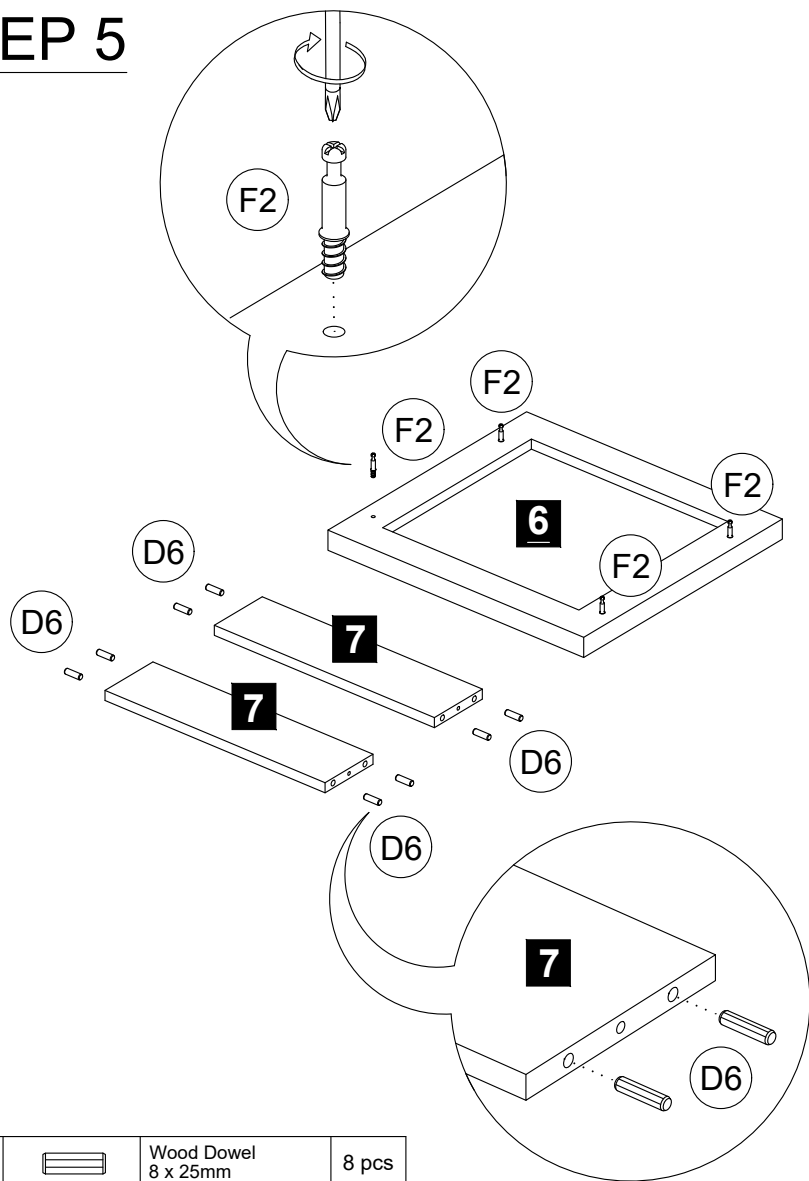
| | | | |
|----|--|---------------|--------|
| F2 | | Mini Fix 15mm | 8 sets |
|----|--|---------------|--------|

STEP 4



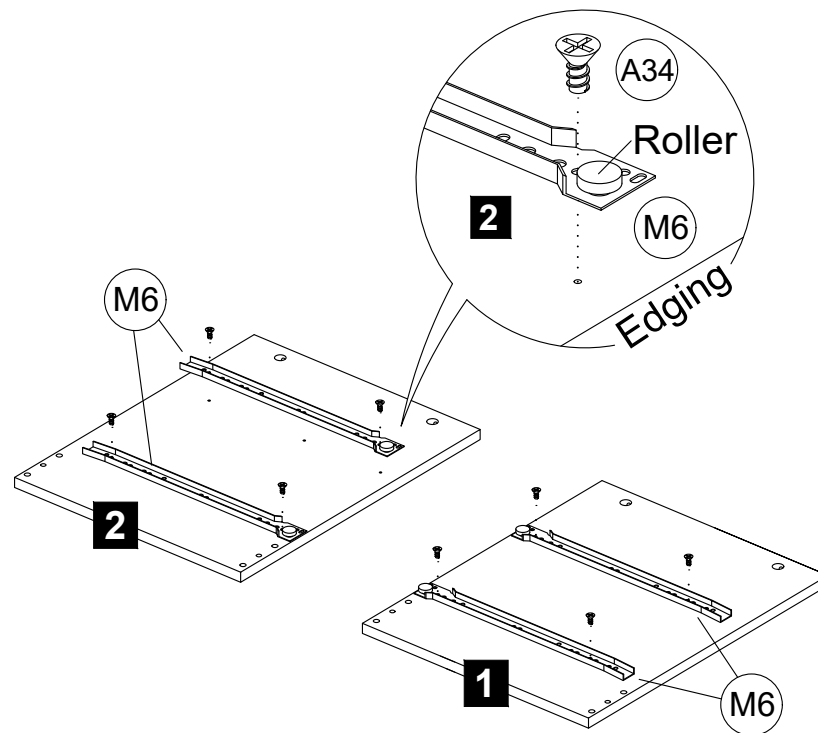
| | | | |
|----|--|--------------------------|--------|
| A2 | | Screw m3.5 x 14mm | 24 pcs |
| M6 | | Drawer Metal Slide 350mm | 2 sets |
| R2 | | Single Plastic Cap | 12 pcs |

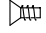
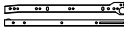
STEP 5



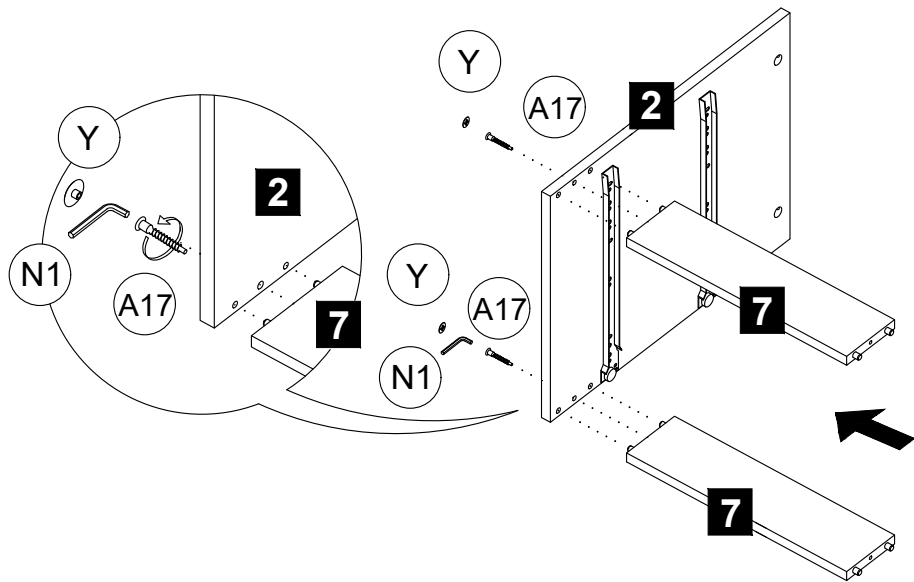
| | | | |
|----|---|------------------------|-------|
| D6 |  | Wood Dowel 8 x 25mm | 8 pcs |
| F2 |  | Mini Fix Bolt | 4 pcs |

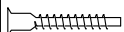


STEP 6



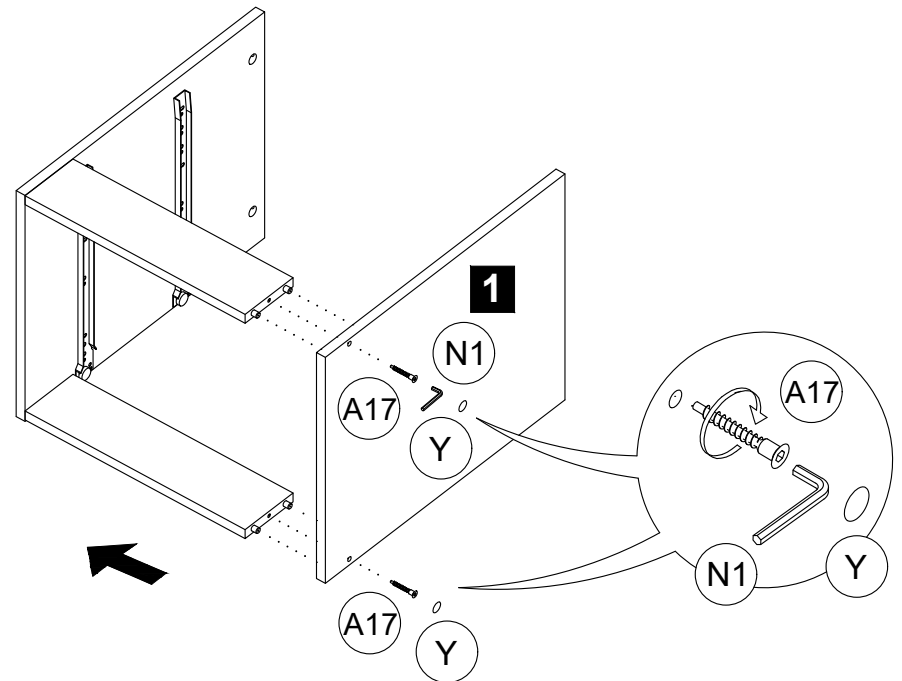
| | | | |
|-----|---|-----------------------------|--------|
| A34 |  | Euro Screw | 8 pcs |
| M6 |  | Drawer Metal Slide 350mm | 2 sets |

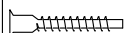


STEP 7



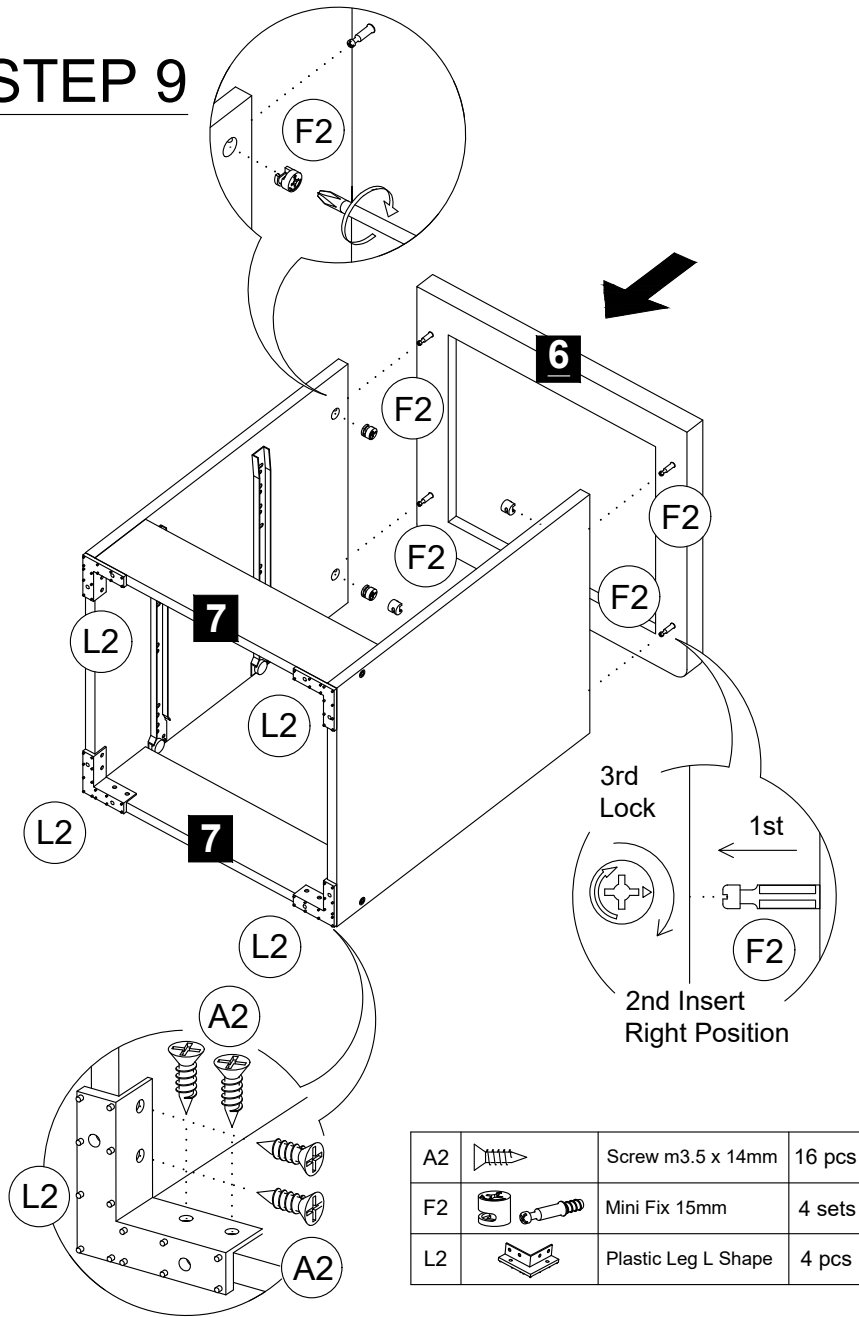
| | | | |
|-----|---|--------------------------------|-------|
| A17 |  | Crosshead Screw m6.3 x 40mm | 2 pcs |
| N1 |  | Allen Key | 1 pc |
| Y |  | Crosshead Cover | 2 pcs |

STEP 8

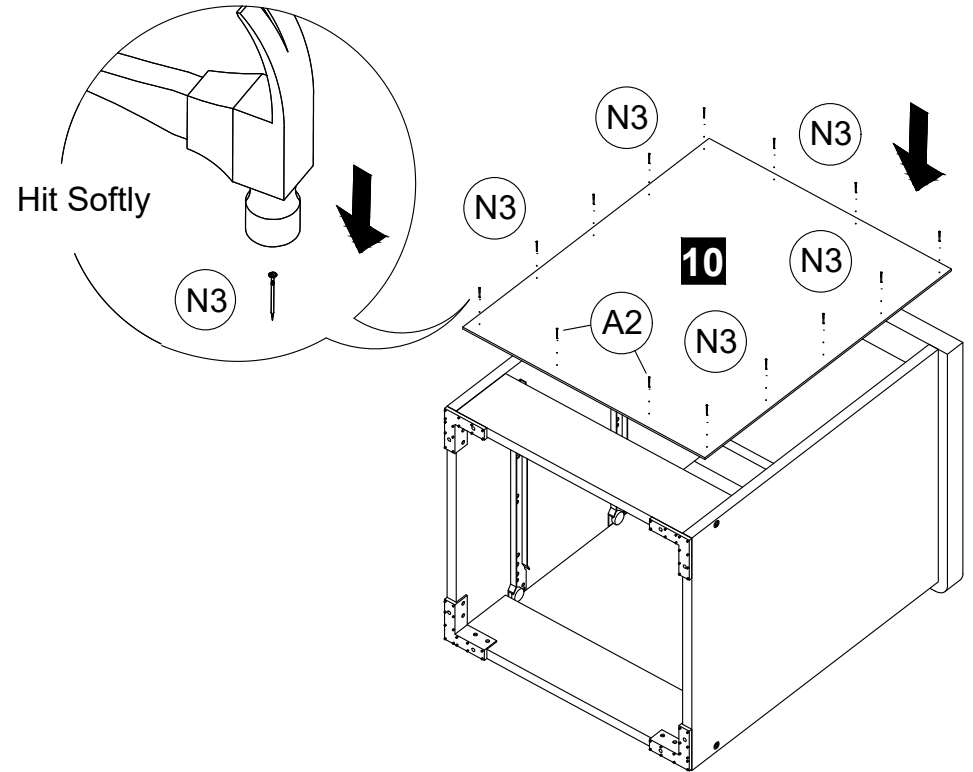


| | | | |
|-----|---|--------------------------------|-------|
| A17 |  | Crosshead Screw m6.3 x 40mm | 2 pcs |
| N1 |  | Allen Key | 1 pc |
| Y |  | Crosshead Cover | 2 pcs |

STEP 9

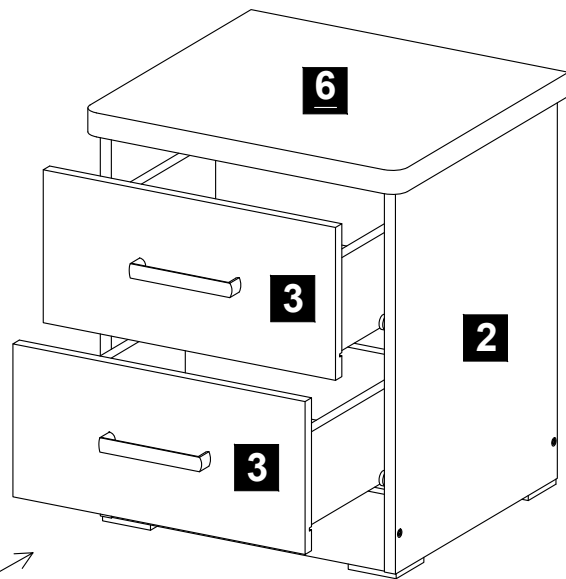


STEP 10



| | | | |
|----|--|-------------------|-------------|
| A2 | | Screw m3.5 x 14mm | 2 pcs |
| N3 | | Nail | 12 (+3) pcs |

STEP 11



Insert
drawers

Stand
up

THANK YOU

We hope you enjoy your new purchase.

We have personally inspected this product.

In the event that you need any additional help for any reason,

Please do not hesitate to contact use at: 973-473-5068

Email maria@better-homeproducts.com

See our website Woodpeckers-furniture.com

**Better Home Products
323 Cortland Street
Belleville New Jersey**

Thank you