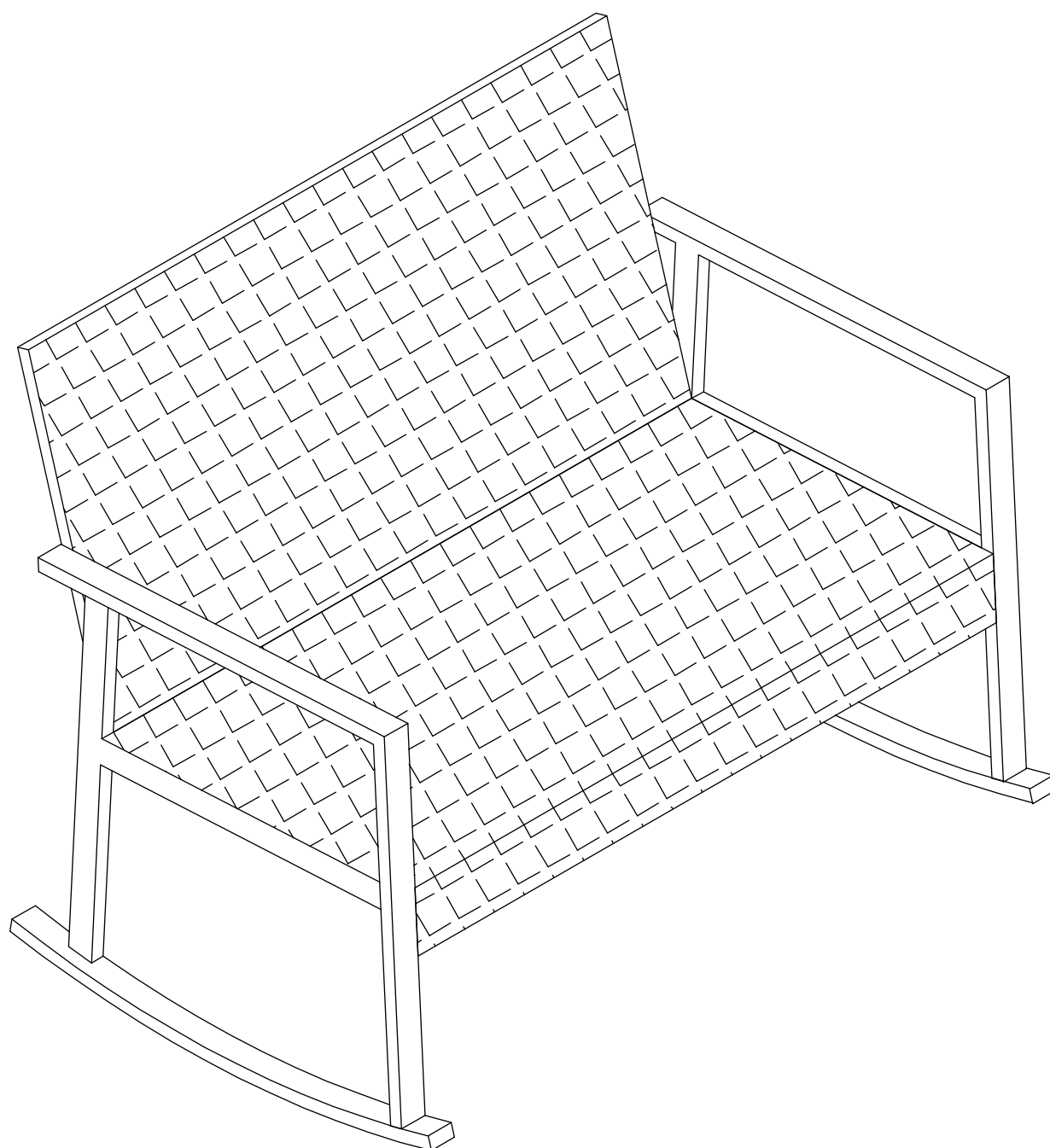
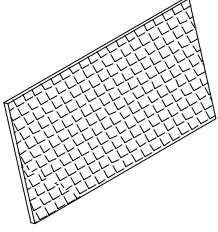
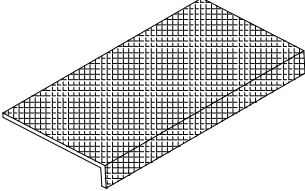
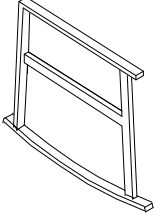
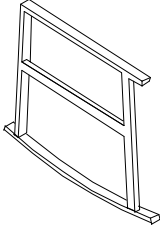


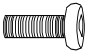



Instruction of Patio Bench



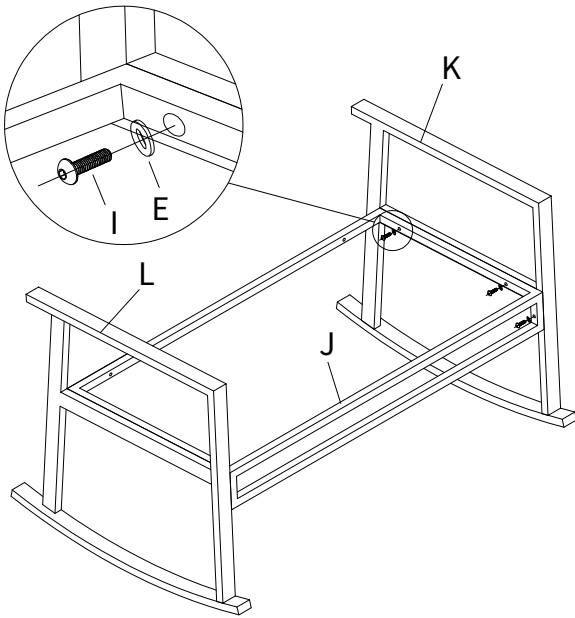
Warning : Please tighten all screws after installation.

PACKING LIST

H	1		Back Panel
J	1		Seat Panel
K	1		Left Armrest
L	1		Right Armrest
E	10		Washer M6
M	4		Screw M6x35mm
I	6		Screw M6x30mm
Y	1		Spanner

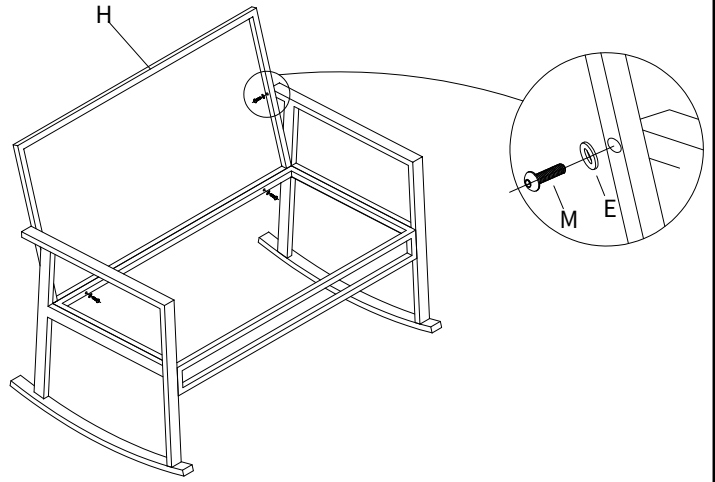
INSTALL THE BENCH

1



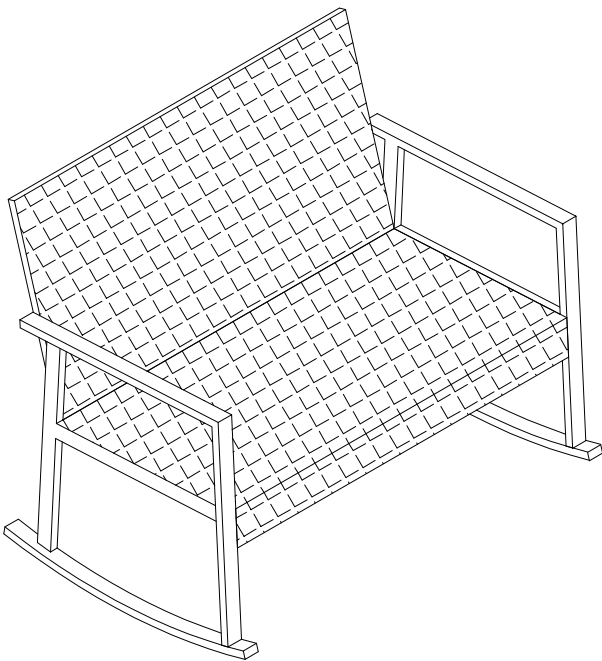
Install the armrests and seat panel , then fix with screws I & E.

2



Install the back panel H and fix with screws E & M.

3



The installation is complete.