



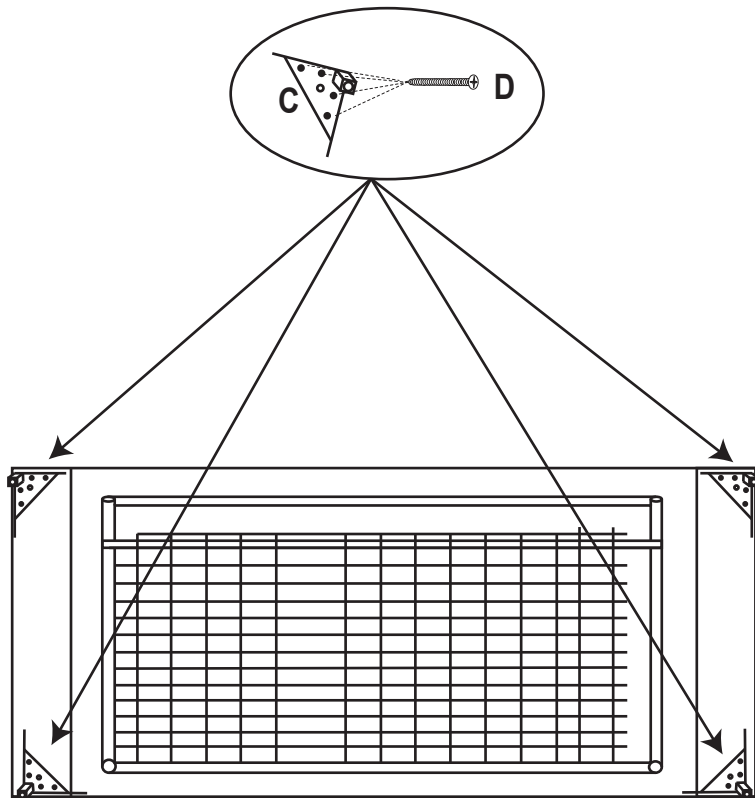


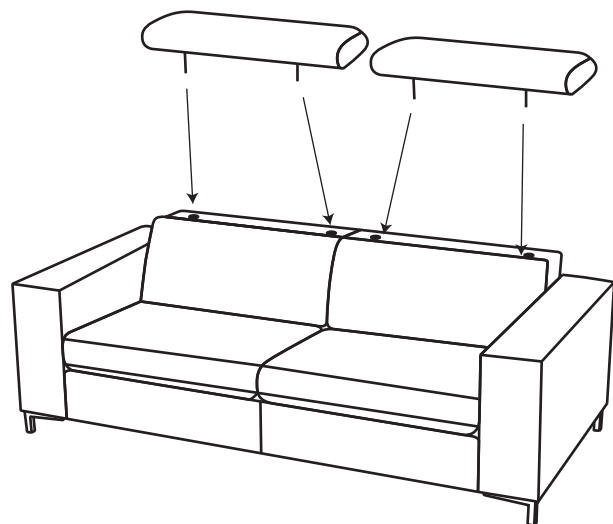
Assembly Instruction

Components List			Hardware List		
Serial No.	Description and Drawing	Quantity	Serial No.	Description and Drawing	Quantity
A		1 PCS	C		4PCS
B		2 PCS	D		16PCS

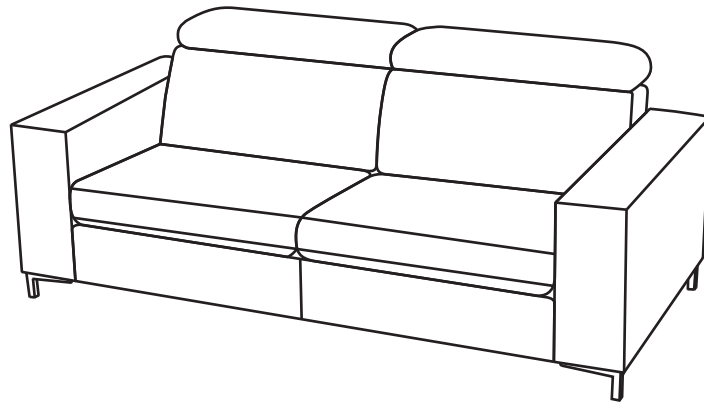
Step 1



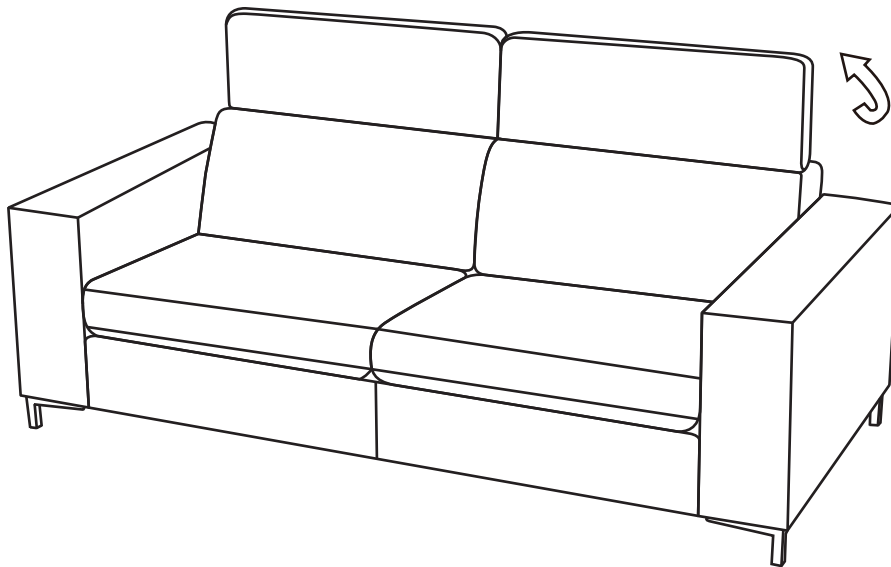
Step 2



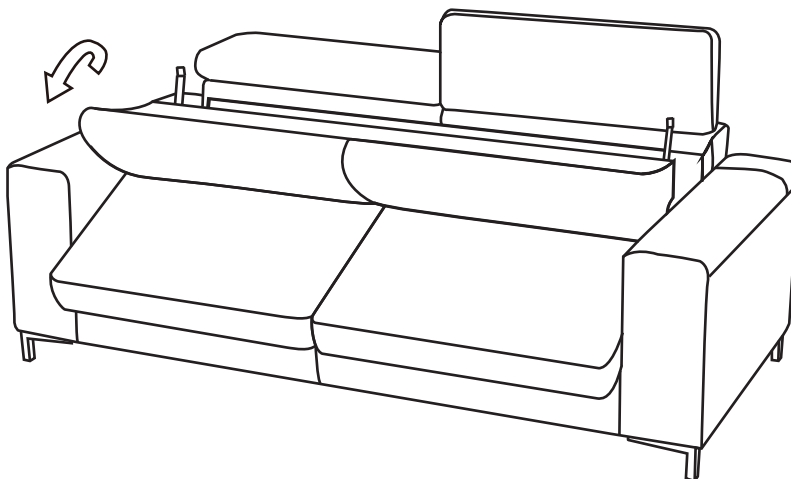
Step 3



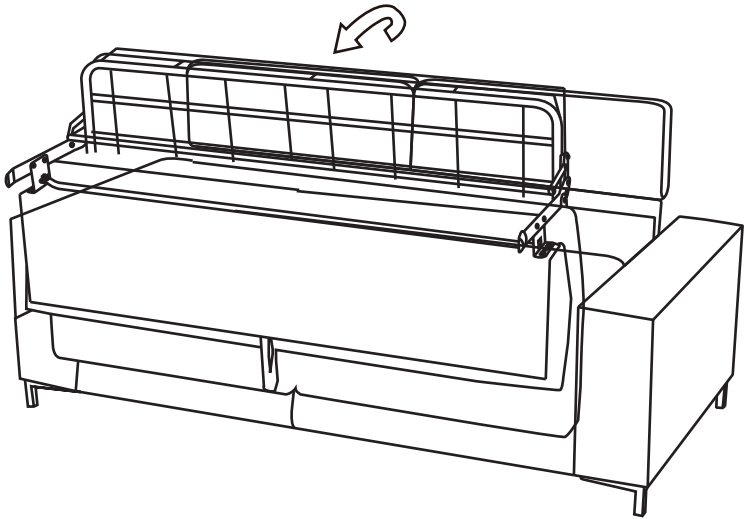
Step 4



Step 5



Step 6



Step 7

