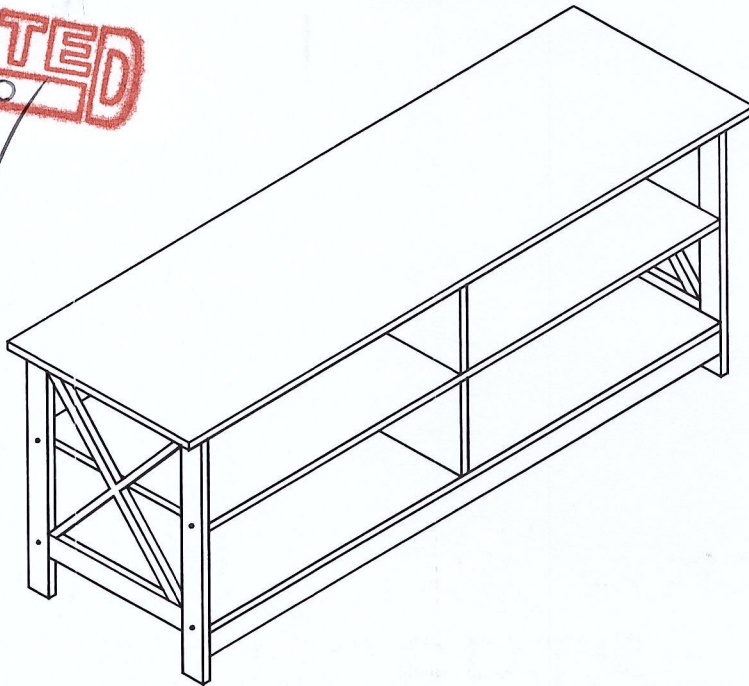


TV stand

POSTED
7/30

del

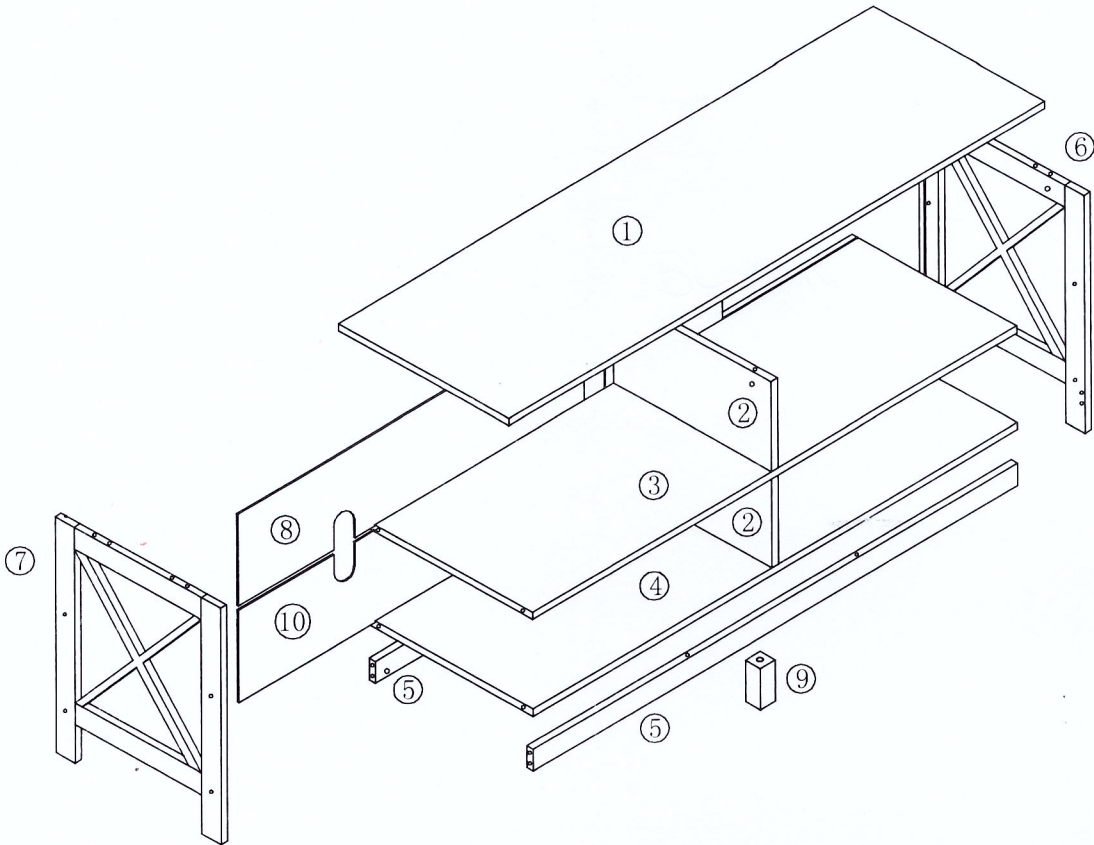
6/12

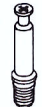





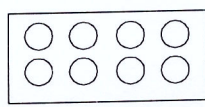


Assembly instructions

We have designed our furniture with you, the customer in mind. Our clear, easy to follow step by step instructions will guide you through the project from start to finish.

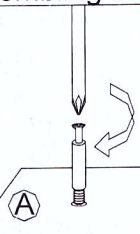
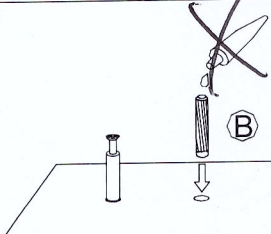
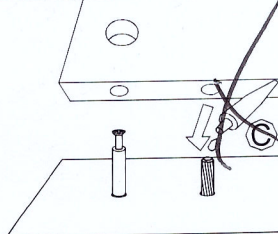
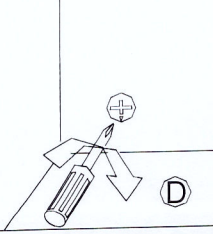
Feel confident that this will be a fun and rewarding project. The final product will be a quality piece of furniture that will go together smoothly and give years of enjoyment.



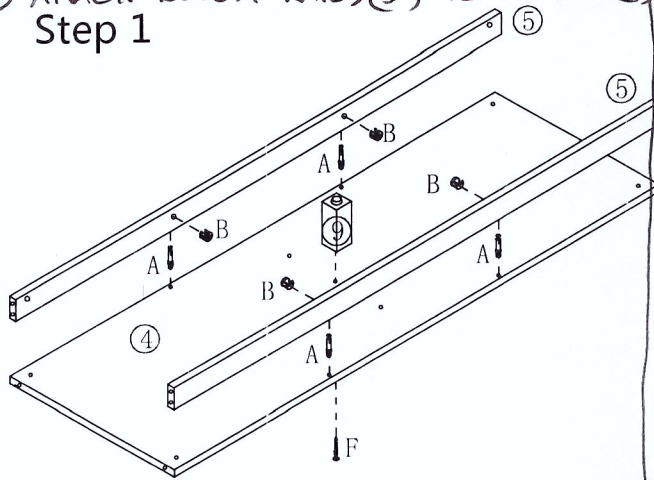
- 
A x16
- 
B x16
- 
C x8
- 
D x8
- 
E x8
- 
F x5
- 
G x8

NO GLUE UNLESS INCLUDED

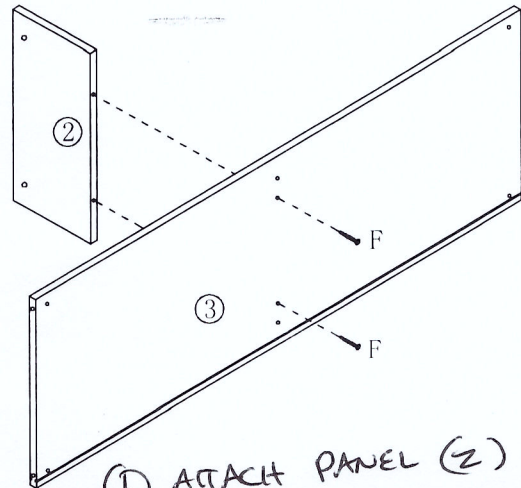
Assembling the unit with cams and wood dowels.

 <p>A</p>	 <p>B</p>	 <p>C</p>	 <p>D</p>
Gently screw cam dowel into the threaded anchor.	Lightly glue one end of the wood dowel and tap halfway into hole. Add 2nd drop of glue to top of dowel.	Connect to second panel by inserting dowels into holes.	Insert cam lock with arrow pointing down. Screw the cam firmly into locked position.

- ① ATTACH FOOT TO PANEL (4) WITH SCREW (F)
 - ② ATTACH BOTTOM RAILS (5) TO PANEL (4) USING CAMLOCK HARDWARE
- Step 1

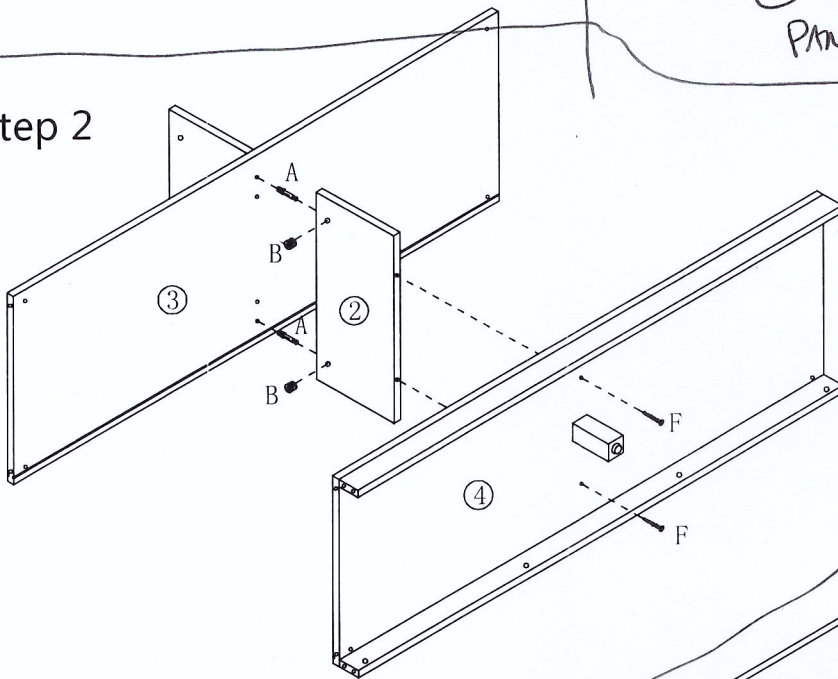


USING CAMLOCK HARDWARE



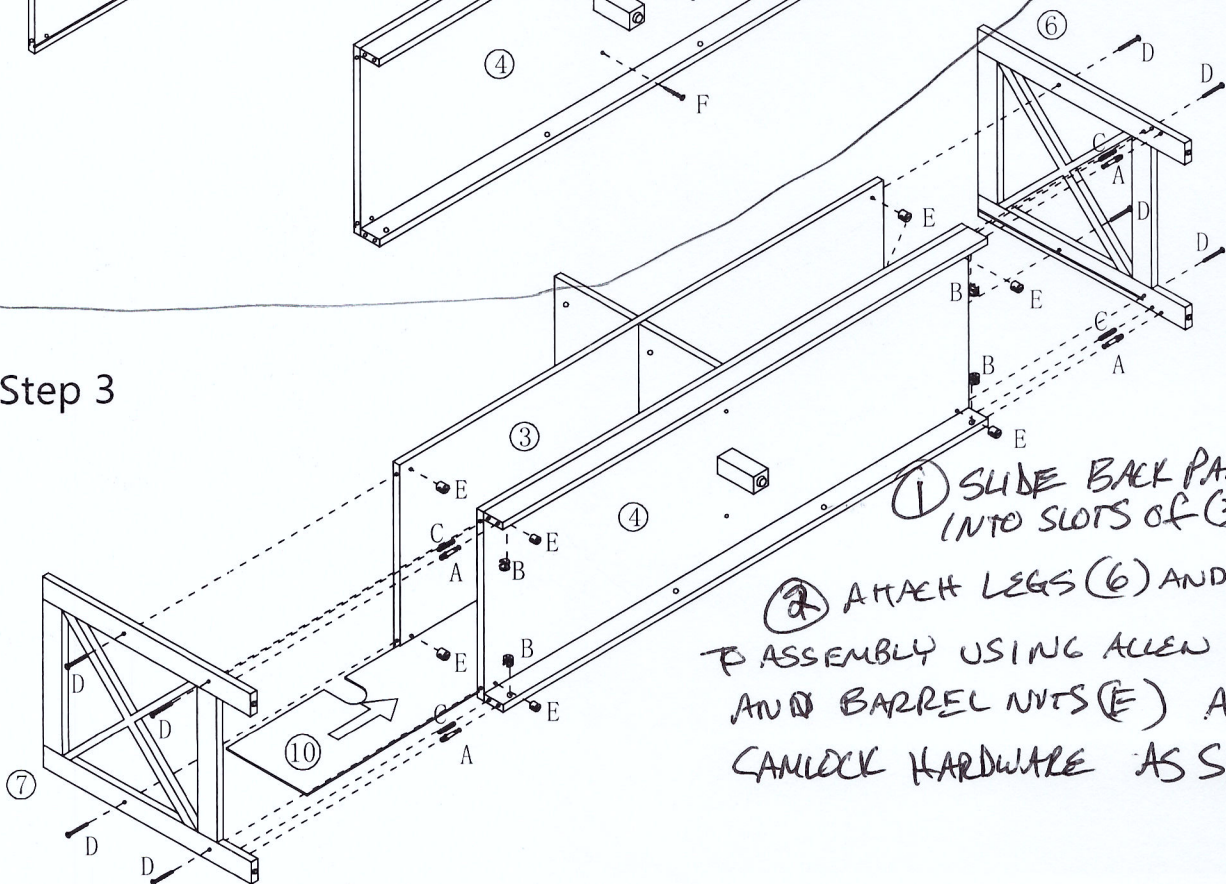
- ① ATTACH PANEL (2) TO PANEL (3) USING SCREWS (F)

Step 2



- ① ATTACH PANEL (2) TO ASSEMBLY USING CAMLOCK HARDWARE
- ② ATTACH BOTTOM PANEL (4) TO ASSEMBLY USING SCREWS (F)

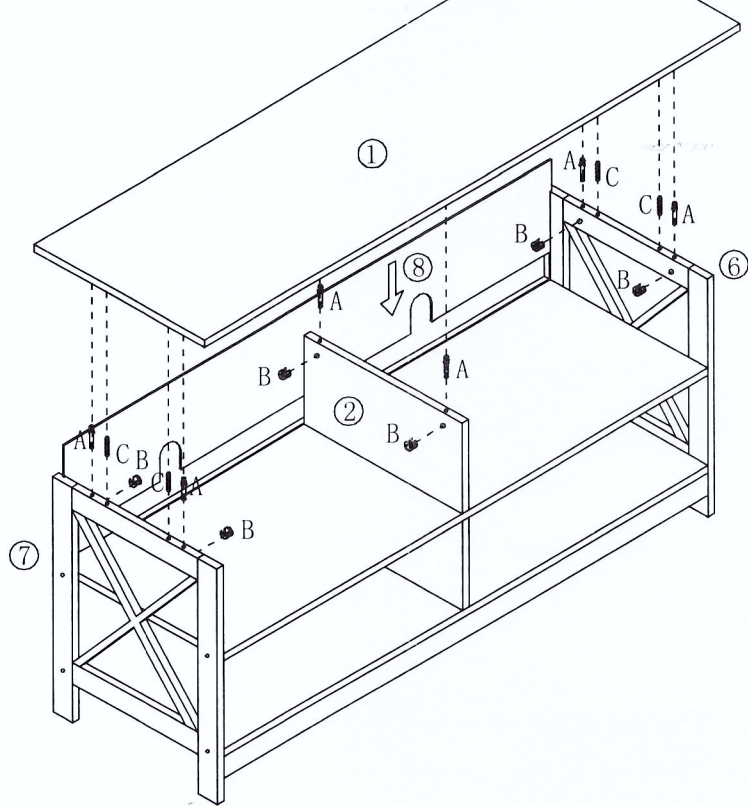
Step 3



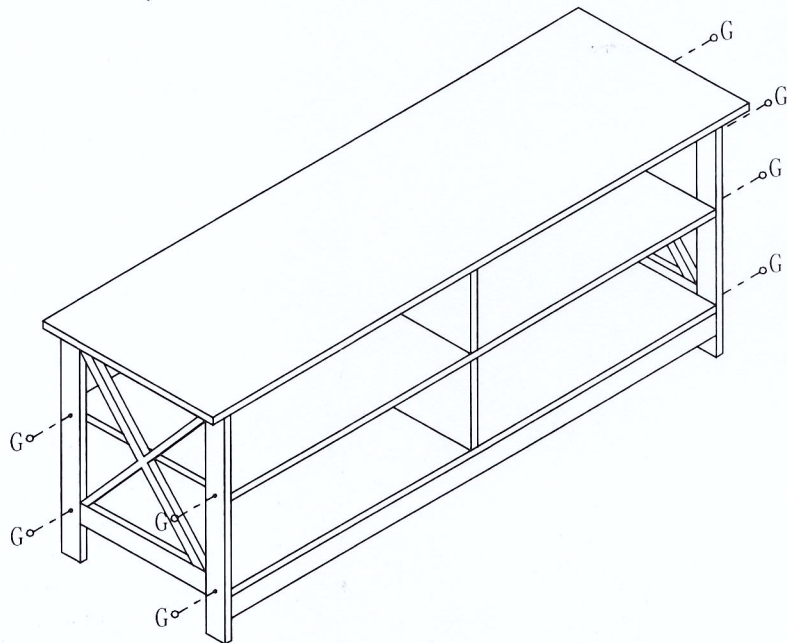
- ① SLIDE BACK PANEL (10) INTO SLOTS OF (3) AND (4)
- ② ATTACH LEGS (6) AND (7) TO ASSEMBLY USING ALLEN BOLTS (D) AND BARREL NUTS (E) AND CAMLOCK HARDWARE AS SHOWN.

NOTE: BARREL NUT THREADS MUST FACE IN IT HOLE

Step 4 ① ATTACH TOP PANEL (1) TO UNIT USING CAMLOCK HARDWARE AS SHOWN



Step 5



① APPLY STICKERS (G) OVER BOLT HOLES ON SIDES OF LEGS

② ENJOY!