



**Vault™**  
Top-mount/undermount medium single-bowl kitchen  
sink  
**K-3822-1**

### Features

- 27" (686 mm) minimum base cabinet width.
- Single bowl.
- 9" (229 mm) depth provides generous workspace.
- Single faucet hole.
- Rear drain increases workspace in the sink and storage space underneath.
- Includes installation hardware and bottom sink rack.

### Material

- Handcrafted from 18-gauge stainless steel.
- Premium 18-gauge stainless steel.

### Installation

- Top-mount or undermount.

### Recommended Products/Accessories

- K-8801 Sink drain and strainer with tailpiece
- K-8799 Sink drain and strainer basket
- K-23726 Drain treatment
- K-23729 Stainless steel cleaner

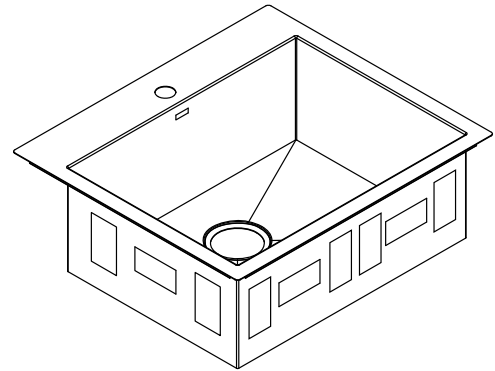
### Optional Products/Accessories

- K-6429 Utility Rack
- K-6667 Wood Cutting Board
- 1177161
- K-11352 Disposal Flange with Stopper

### Included Components

Additional Components:

- 1130570
- 6645

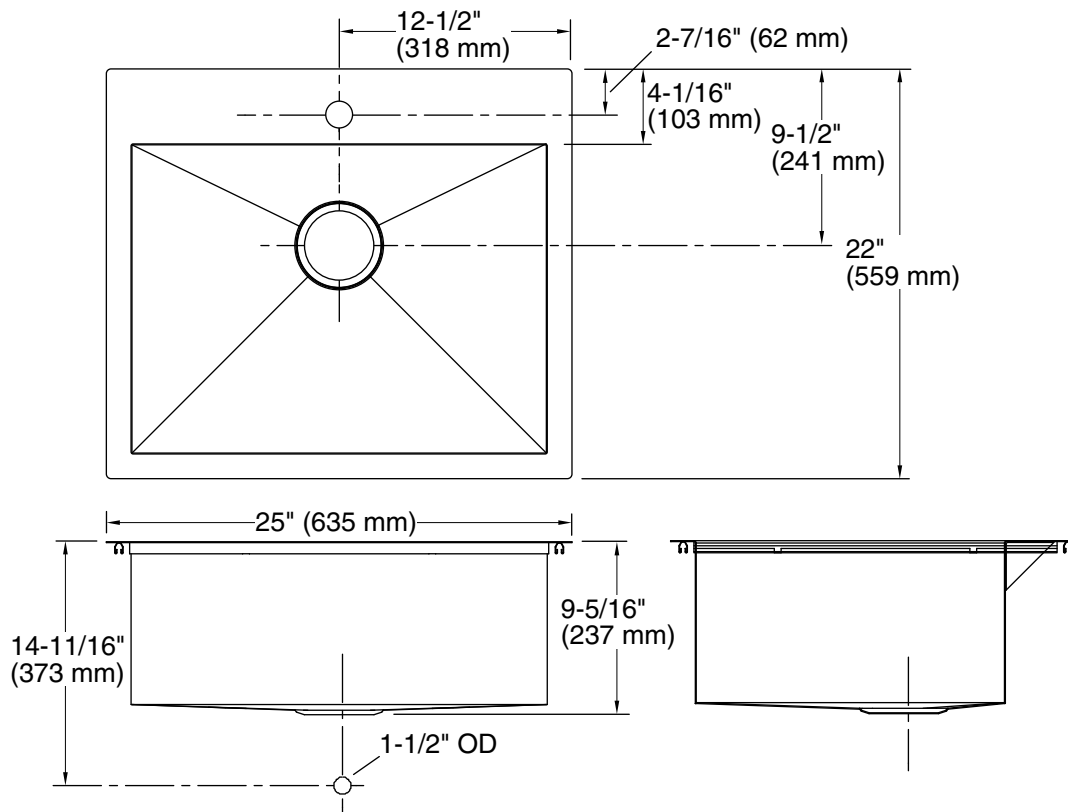


### Codes/Standards

ASME A112.19.3/CSA B45.4

### Lifetime Limited Warranty for KOHLER® Stainless Steel Sinks

See website for detailed warranty information.



## Technical Information

All product dimensions are nominal.

Bowl configuration:	Single
Installation:	Top-mount, Undermount
Min. base cabinet width:	27" (686 mm)
Bowl area (Only):	Length: 22-1/4" (565 mm) Width: 16-9/16" (421 mm) Water depth: 9" (229 mm)
Number of deck holes:	1
Faucet hole(s):	1-7/16" (37 mm)
Drain hole:	3-7/8" (98 mm)
Template:	1130822-7, required, included

## Notes

Install this product according to the installation instructions.

Allow 3/4" (19 mm) clearance beyond the back of the bowl for the wood cutting board (optional accessory).