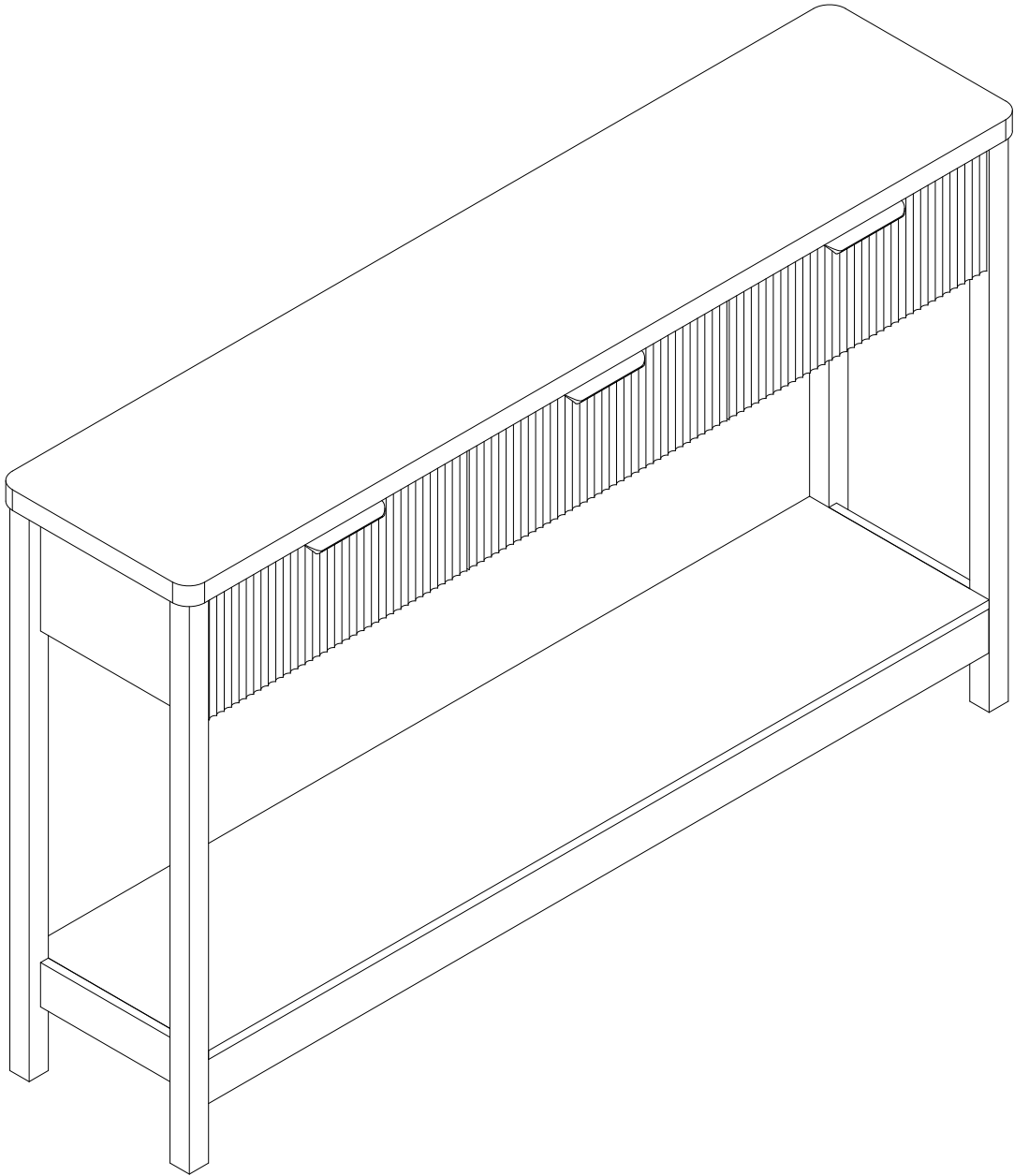


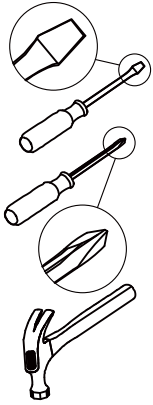
ASSEMBLY INSTRUCTION



Sofa Table

VIPService68@outlook.com

Before You Start



- ✓ Read through each step carefully and follow the proper order
- ✓ Separate and count all your parts and hardware, If Parts are missing defective or having wrong parts in package, or Board Surface is broken, scratched or lack of some screw holes. You can contact us and we will get back to you within 24 hours. Or, you can reach us via after-sales email.
- ✓ Give yourself enough room for the assembly process
- ✓ Caution: If using a power drill or power screwdriver for screwing, please pay attention to slow down and stop when screw is tight. Failure to do so may result in stripping the screw. (Assembly speed can be increased by using electric screwdriver)

Helpful Hints

PEOPLE NEEDED FOR ASSEMBLY: 2

- Open your item in the area you plan to keep it to avoid excessive heavy lifting.
- Identify, sort and count the parts before attempting assembly.
- Do not make the screws too loose or too tight.
- The accessory bag contains some small accessories, which should be kept away from children.
- The remaining parts are spare parts.
- Do NOT use harsh chemicals or abrasive cleaners on this item. And Never push, pull, or drag your furniture.
- Young children can be seriously injured by tipping furniture. You must install the tipping restraint hardware with the unit (No. I) to prevent the unit from tipping, causing any accidents or damage. the tipping restraints are intended only as a deterrent, they are not a substitute for proper adult supervision.
- Note: Do not open more than 2 drawers at the same time without install the tipping restraint hardware, otherwise there is a risk of tipping.



Product Installation Video

Please scan this QR code with your cell phone YouTube to watch the installation video instantly.



Need Help With Your Furniture?

When missing parts? Or feeling stuck? you can contact us by scanning the QR code below or via after-sales email (VIPService68@outlook.com), we will reply you in time.

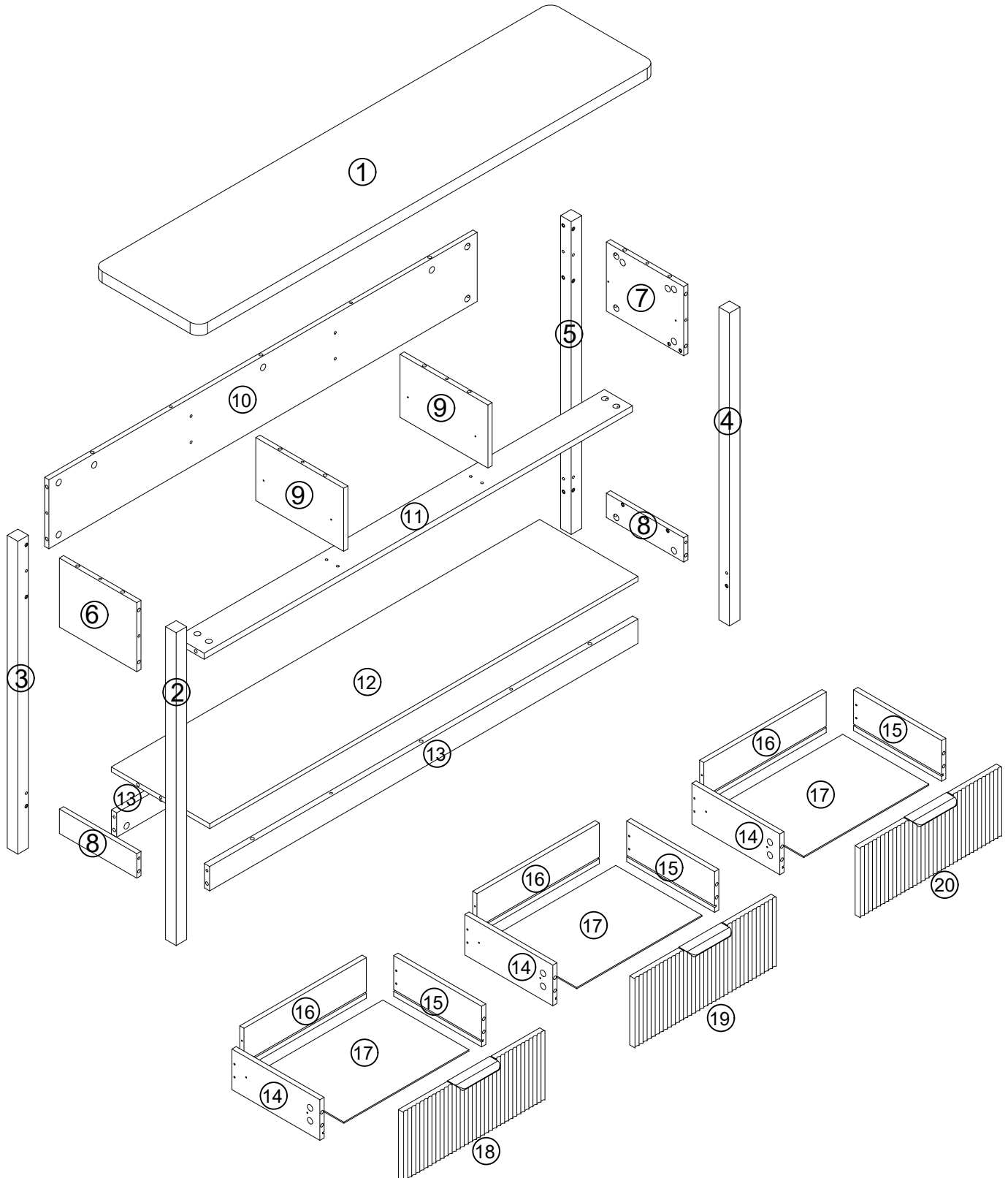
**FREE REPLACEMENT
PARTS AVAILABLE!**



This Is A Challenge For You !

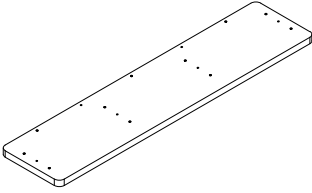
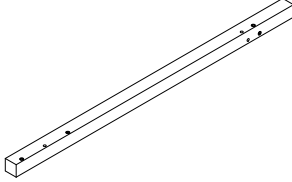
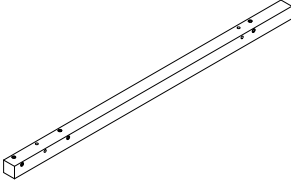
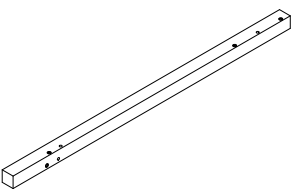
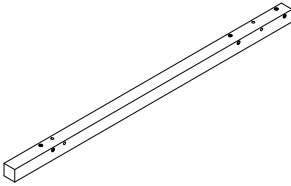
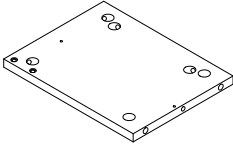
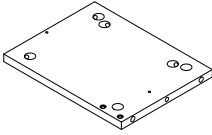
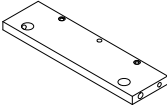
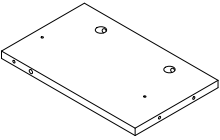
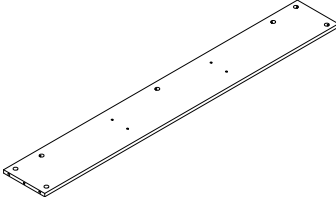
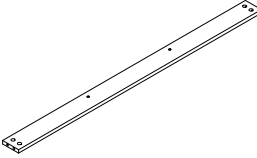
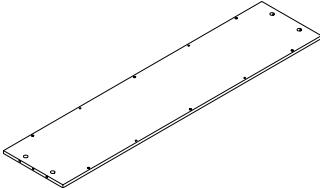
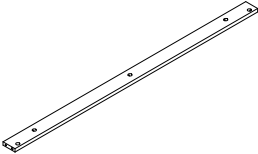
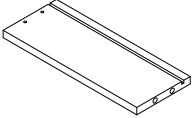
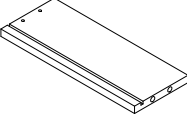
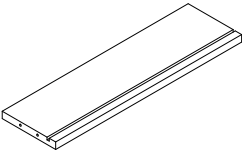
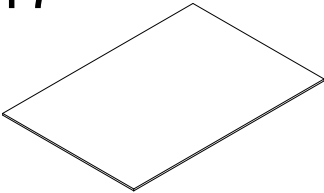
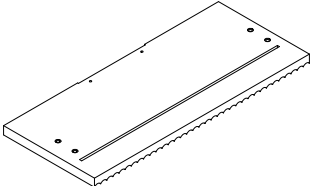
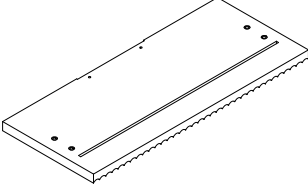
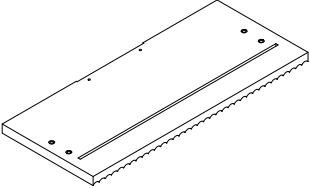
Putting furniture together can feel tricky at first,
but why not give it a shot?

Once you' re done, you' ll see it' s not as hard as it looks
—and your family or friends might even be impressed!

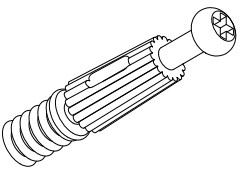
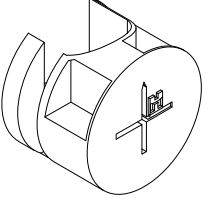
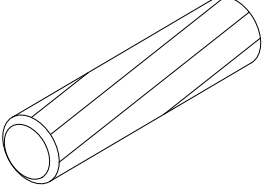
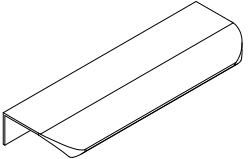
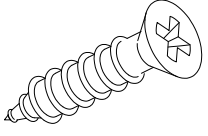
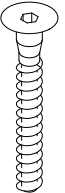
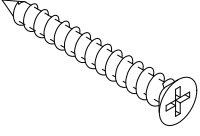
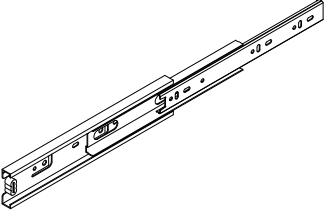
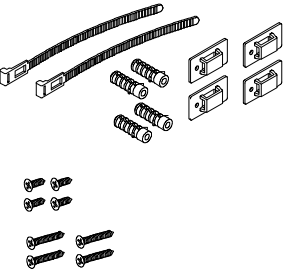
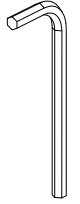
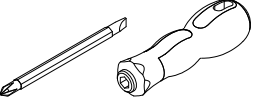


Note: Panel No. 18 is the left drawer, Panel No. 19 is the center drawer, and Panel No. 20 is the right drawer. Please do not mix them up, or the drawers may not close properly.

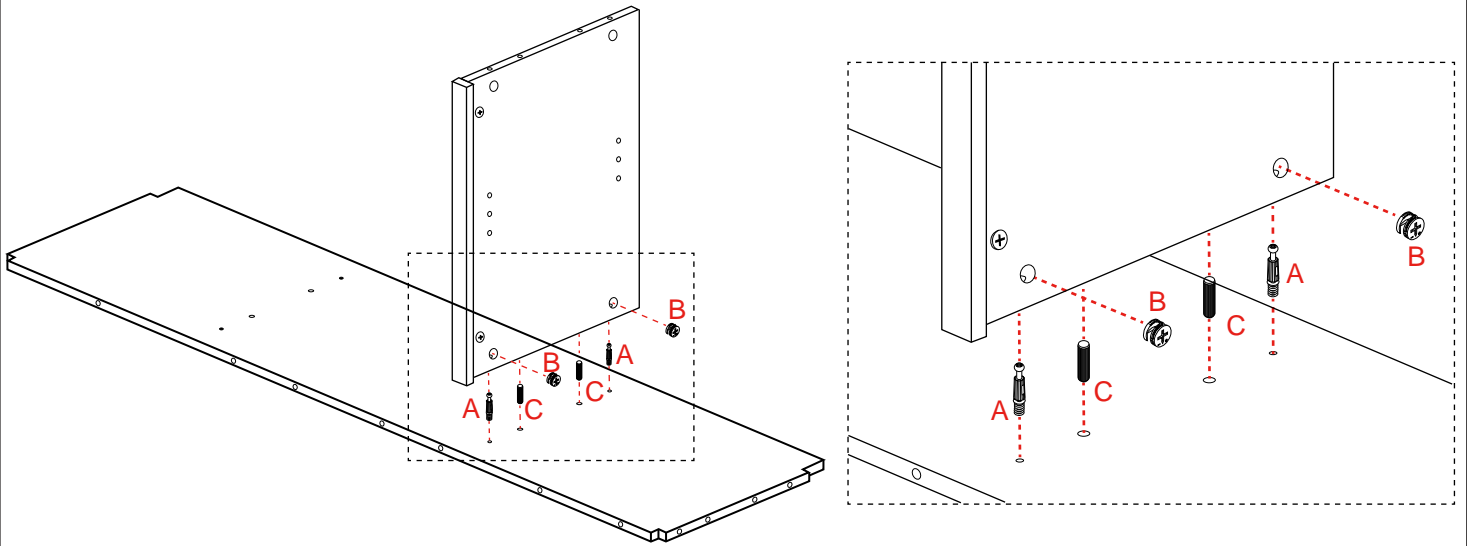
PartsList / TeileListe

<p>1</p>  <p>①x1</p>	<p>2</p>  <p>②x1</p>	<p>3</p>  <p>③x1</p>	<p>4</p>  <p>④x1</p>
<p>5</p>  <p>⑤x1</p>	<p>6</p>  <p>⑥x1</p>	<p>7</p>  <p>⑦x1</p>	<p>8</p>  <p>⑧x2</p>
<p>9</p>  <p>⑨x2</p>	<p>10</p>  <p>⑩x1</p>	<p>11</p>  <p>⑪x1</p>	<p>12</p>  <p>⑫x1</p>
<p>13</p>  <p>⑬x2</p>	<p>14</p>  <p>⑭x3</p>	<p>15</p>  <p>⑮x3</p>	<p>16</p>  <p>⑯x3</p>
<p>17</p>  <p>⑰x3</p>	<p>18</p>  <p>⑱x1</p>	<p>19</p>  <p>⑲x1</p>	<p>20</p>  <p>⑳x1</p>

PartsList / TeileListe

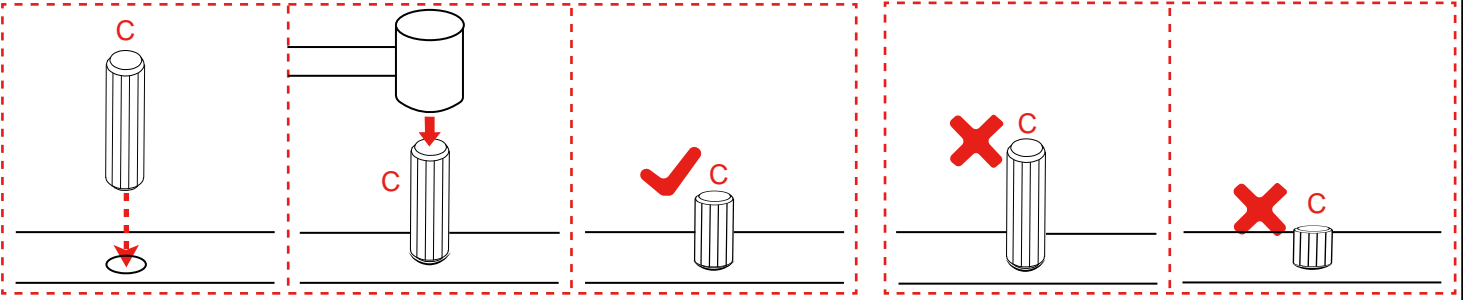
<div style="border: 1px solid black; padding: 5px; text-align: center;"> A </div>  <p style="text-align: center; margin-top: 20px;">X57</p>	<div style="border: 1px solid black; padding: 5px; text-align: center;"> B </div>  <p style="text-align: center; margin-top: 20px;">X57</p>	<div style="border: 1px solid black; padding: 5px; text-align: center;"> C </div>  <p style="text-align: center; margin-top: 10px;">6X30</p> <p style="text-align: center; margin-top: 10px;">X28</p>	<div style="border: 1px solid black; padding: 5px; text-align: center;"> D </div>  <p style="text-align: center; margin-top: 20px;">X3</p>
<div style="border: 1px solid black; padding: 5px; text-align: center;"> E </div>  <p style="text-align: center; margin-top: 10px;">3.5X12</p> <p style="text-align: center; margin-top: 10px;">X30</p>	<div style="border: 1px solid black; padding: 5px; text-align: center;"> F </div>  <p style="text-align: center; margin-top: 20px;">Ø5X50</p> <p style="text-align: center; margin-top: 10px;">X6</p>	<div style="border: 1px solid black; padding: 5px; text-align: center;"> G </div>  <p style="text-align: center; margin-top: 10px;">3.5X40</p> <p style="text-align: center; margin-top: 10px;">X12</p>	<div style="border: 1px solid black; padding: 5px; text-align: center;"> H </div>  <p style="text-align: center; margin-top: 20px;">X6</p>
<div style="border: 1px solid black; padding: 5px; text-align: center;"> I </div>  <p style="text-align: center; margin-top: 20px;">X1</p>	<div style="border: 1px solid black; padding: 5px; text-align: center;"> J </div>  <p style="text-align: center; margin-top: 10px;">M3</p> <p style="text-align: center; margin-top: 10px;">X1</p>	<div style="border: 1px solid black; padding: 5px; text-align: center;"> K </div>  <p style="text-align: center; margin-top: 20px;">X1</p>	

How the knock down assembly system works

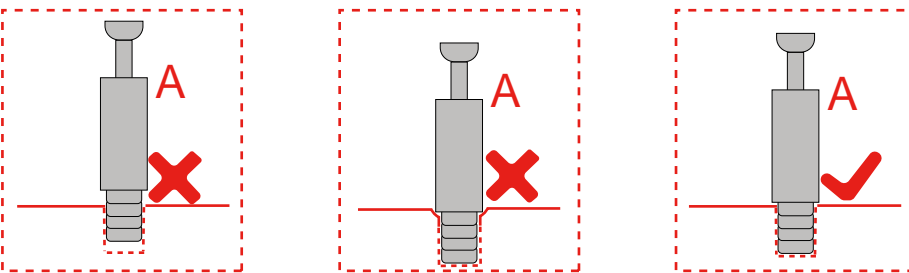


How to Install Wood Dowel

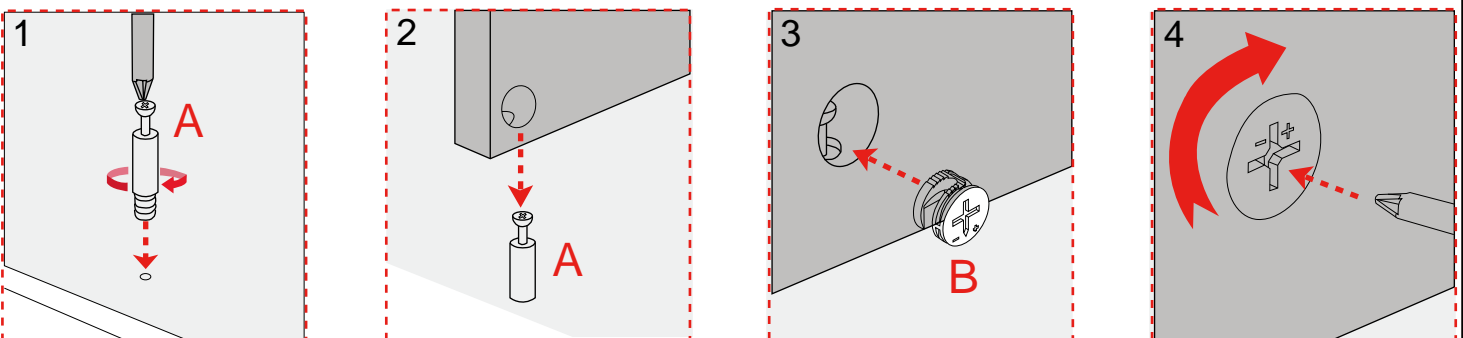
Insert the wood dowel [C] at least half way by tapping lightly with a rubber mallet, IF NECESSARY.



Cam Lock System Operation



1. Screw the cam bolt [A] into the threaded insert on the panel.
2. Connect both panels together making sure cam bolt [A] goes into the pre-drilled large hole on the end of panel for cam lock [B].
3. Insert the cam lock [B] into the pre-drilled large hole on the panel. Make sure the cross slot of cam lock [B] faces out (The arrow should point towards Screw No. A).
4. Rotate the cam lock [B] clockwise with a self-supplied phillips screwdriver to lock the cam bolt [A] in place (Rotate 100-180 degrees until tight).



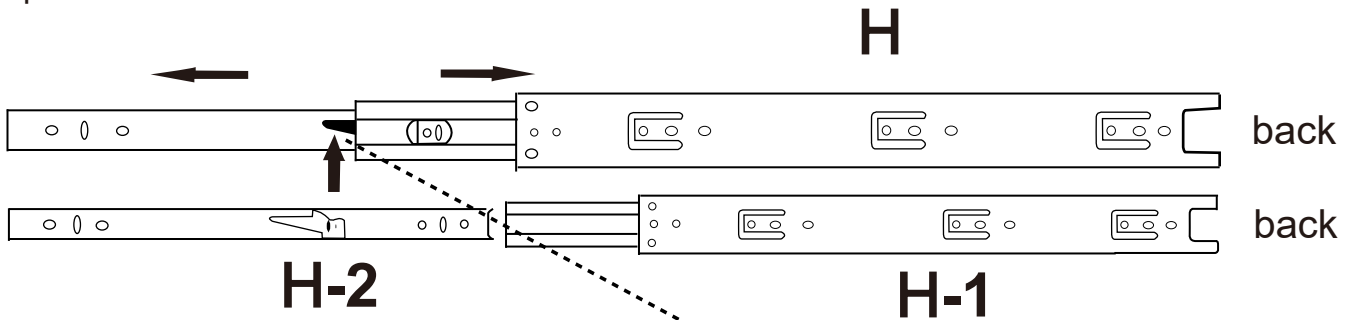
STEP 1



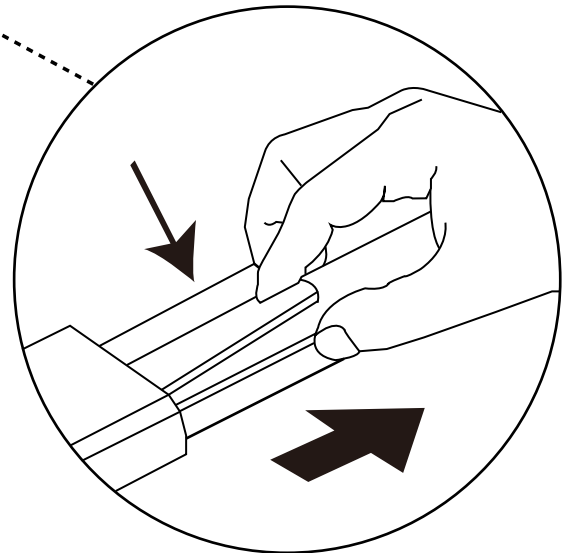
Hardware installation demonstration

- Before installing the drawer rail you need to separate the H-1 and H-2 first.

1. Place the H as shown in picture Then Pull out the H-2



2. Find the latch position, press it and split



Warm Reminder: Press it and split

The guide rails have been lubricated before leaving the factory to ensure smooth sliding of the drawer and extend its service life. This is normal.

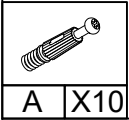
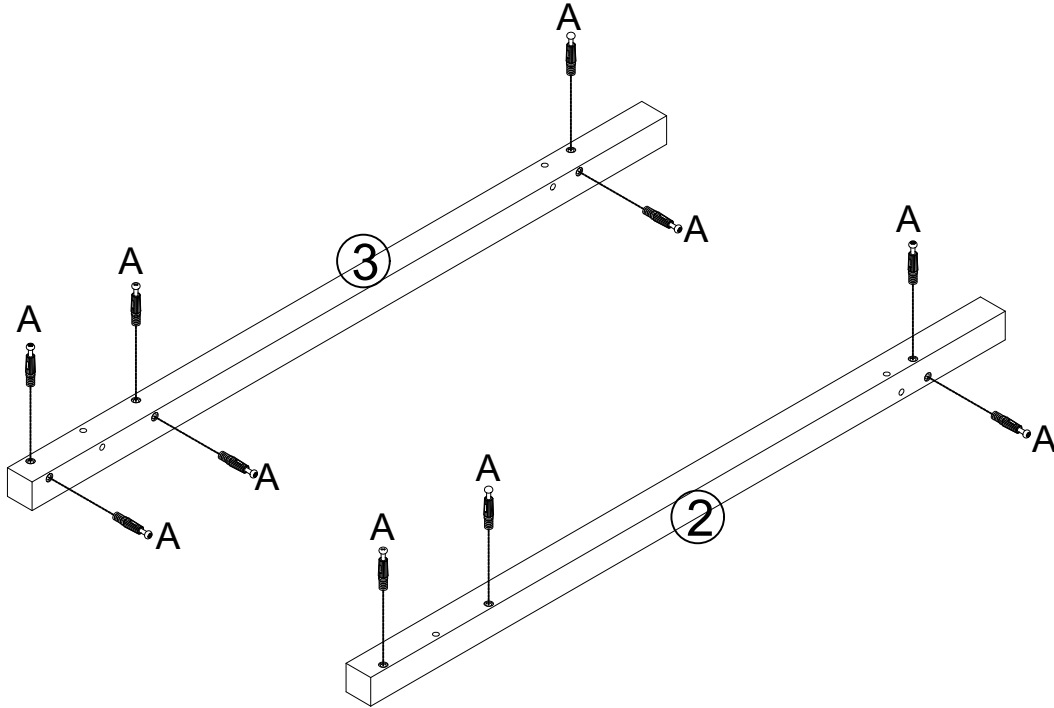
? **Missing parts? Or feeling stuck?**
Chat with us at VIPService68@outlook.com

▶ **Watch demo video at:**
<https://www.youtube.com/watch?v=o-lD3flkRs>

STEP 2 First, install 10Pcs No. A screws into the corresponding holes of Support Legs No. 2 and No. 3. Make sure to follow the hole positions shown in the diagram, and do not install them incorrectly. (If you are unsure how to install the No. A screws, refer to page 7)

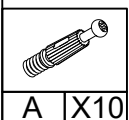
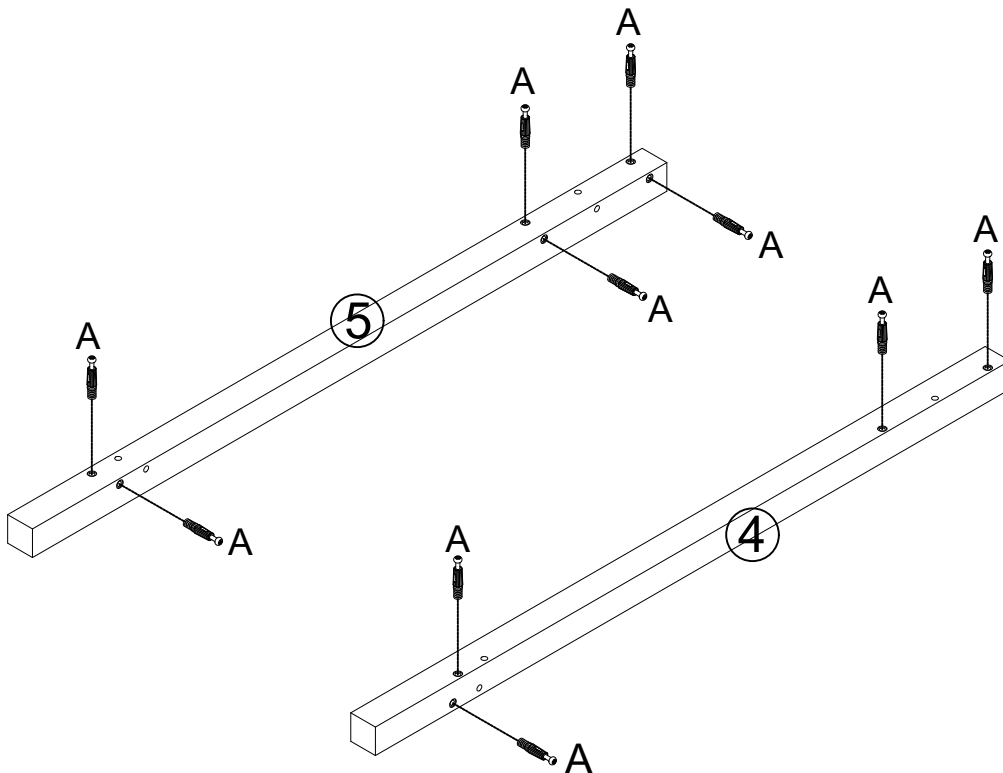


Note: Panels No. 2, No. 3, No. 4, and No. 5 are very similar in appearance. Please double-check the panel numbers carefully during installation to avoid confusion.



A X10

STEP 3 First, install 10Pcs No. A screws into the corresponding holes of Support Legs No. 4 and No. 5. Make sure to follow the hole positions shown in the diagram, and do not install them incorrectly.



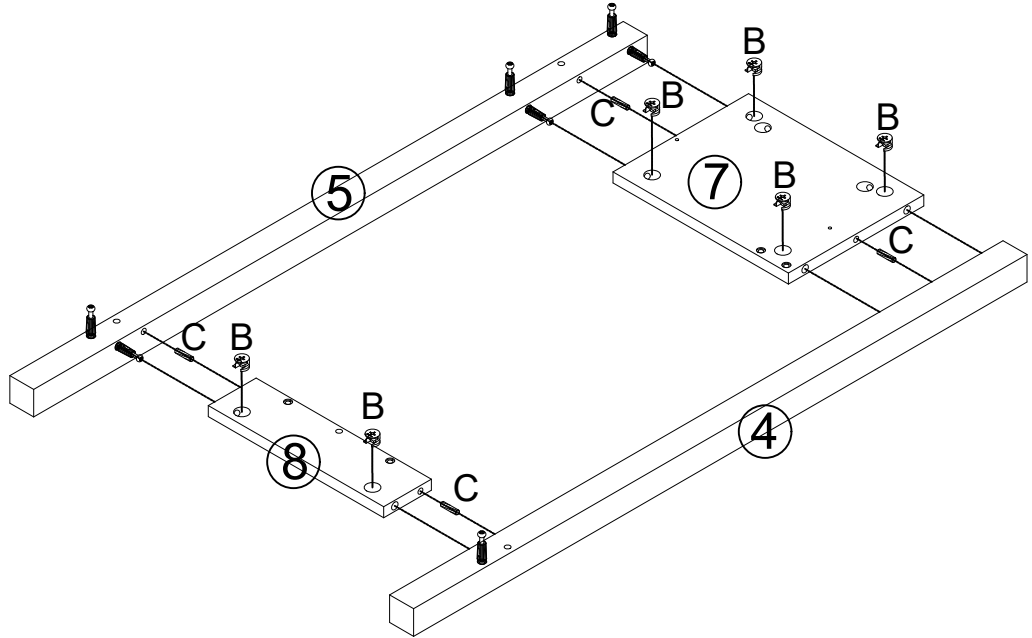
A X10

STEP 4

First, insert 4Pcs No. C wooden dowels into the center holes on the sides of Panel No. 7 and Panel No. 8, and then use 6Pcs No. B screws to connect them to Panel No. 4 and Panel No. 5. (If you are unsure how to install the No. B screws, refer to page 7)



Note: Panels No. 6 and No. 7 are very similar in appearance. Please double-check the panel numbers carefully during installation to avoid confusion.



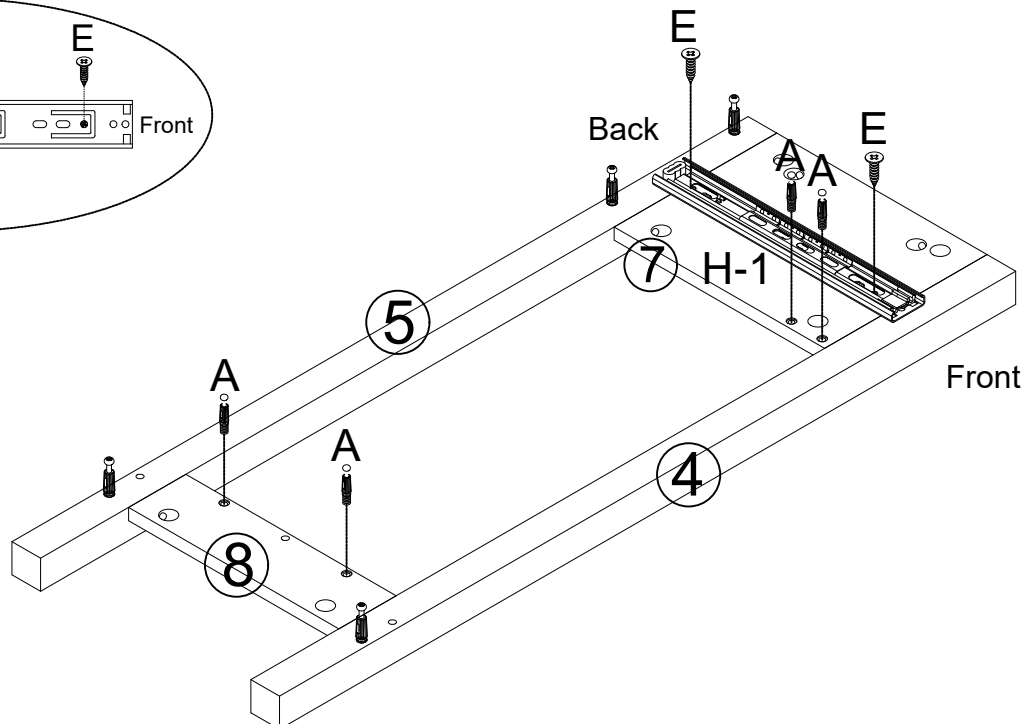
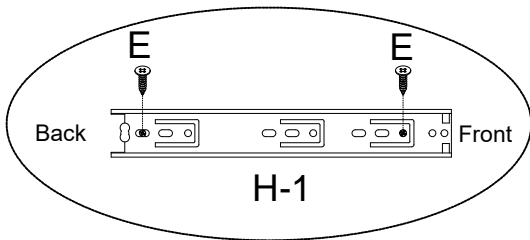
B X6



C X4

STEP 5

First, install 4Pcs No. A screws into the corresponding holes on Panel No. 7 and Panel No. 8. Then, use 2Pcs No. E screws to install the No. H-1 outer rail onto Panel No. 7. Please follow the hole positions shown in the upper left corner for accurate installation. (Refer to Step 1 to separate the No. H rail into the outer rail No. H-1 and inner rail No. H-2 before installation.)



A X4



E X2



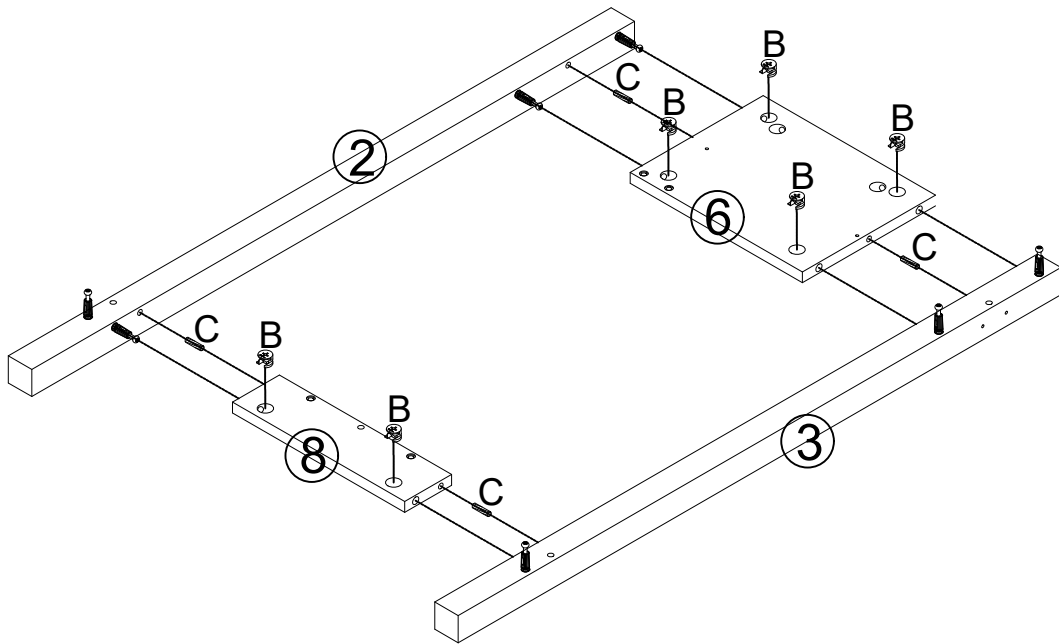
H X1

Missing parts? Or feeling stuck?
 Chat with us at VIPService68@outlook.com

Watch demo video at:
<https://www.youtube.com/watch?v=o-l3l3fkRr>

STEP 6

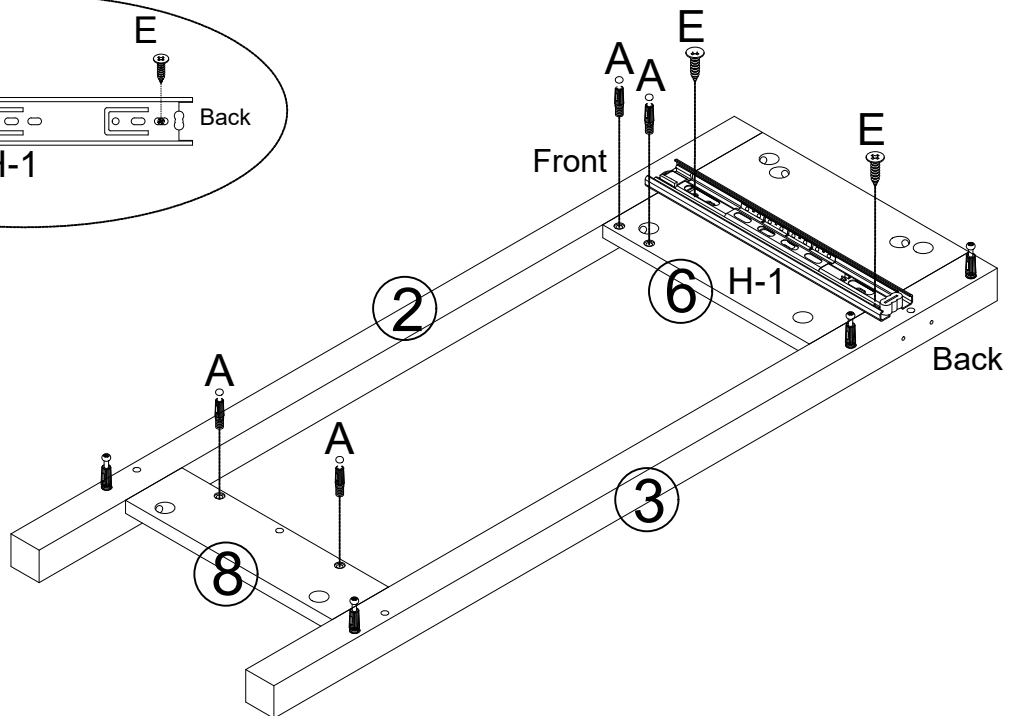
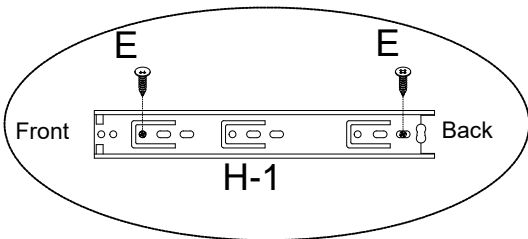
First, insert 4Pcs No. C wooden dowels into the center holes on the sides of Panel No. 6 and Panel No. 8, and then use 6Pcs No. B screws to connect them to Panel No. 2 and Panel No. 3.



	B	X6
	C	X4

STEP 7

First, install 4Pcs No. A screws into the corresponding holes on Panel No. 6 and Panel No. 8. Then, use 2Pcs No. E screws to install the No. H-1 outer rail onto Panel No. 6. Please follow the hole positions shown in the upper left corner for accurate installation. (Refer to Step 1 to separate the No. H rail into the outer rail No. H-1 and inner rail No. H-2 before installation.)



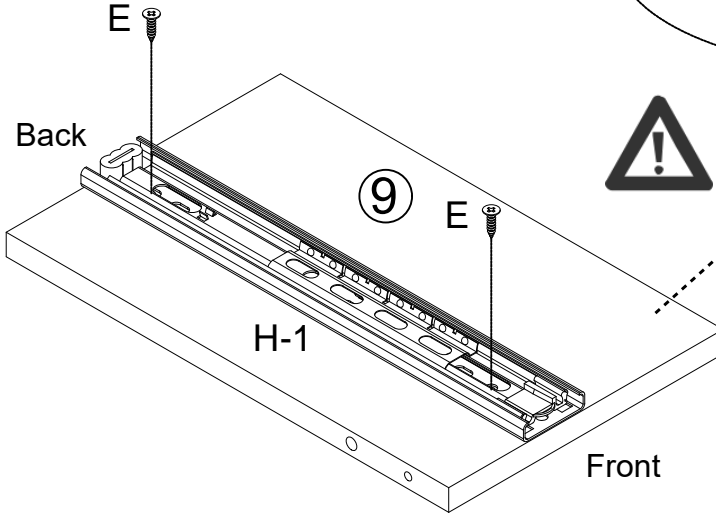
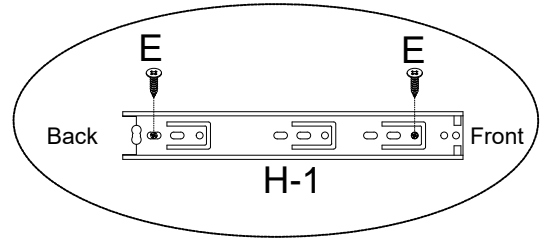
	A	X4
	E	X2
	H	X1

Missing parts? Or feeling stuck?
Chat with us at VIPService68@outlook.com

Watch demo video at:
<https://www.youtube.com/watch?v=o-ld3lffkRs>

STEP 8

Use 2Pcs No. E screws to install the H-1 outer rail onto Panel No. 9. Install accurately according to the hole positions shown in the upper right corner. (Note: The holes on on both sides of Panel No. 9 are different—please do not mix them up. And there are two Panel No. 9 pieces that need to be assembled).

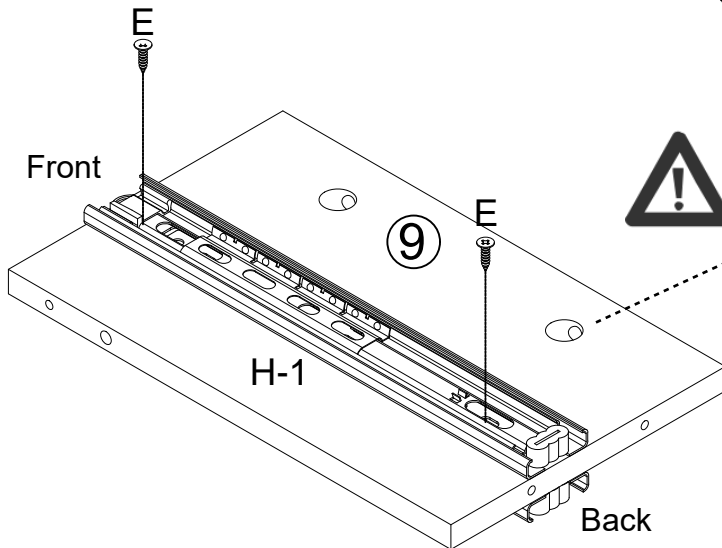
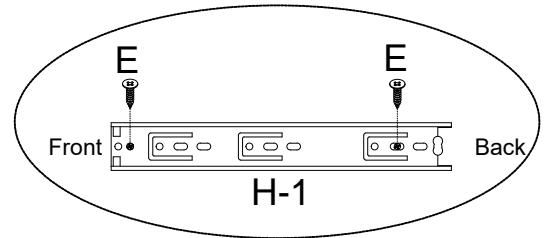


Note: This side does not have round holes.

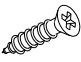

Flip 180°



Note: The mounting holes on both sides of Panel No. 9 are different —please be careful not to mix them up during installation.



Note: This side have round holes.

	
E	X8
	
H	X4

X2pcs



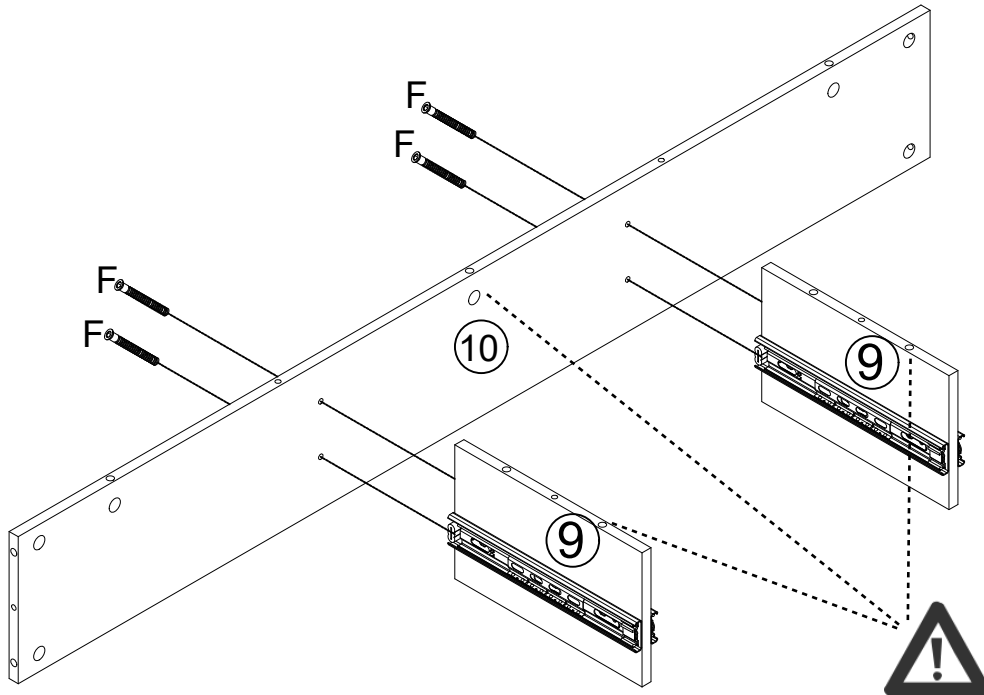
Missing parts? Or feeling stuck?
Chat with us at VIPService68@outlook.com



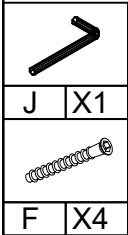
Watch demo video at:
<https://www.youtube.com/watch?v=o-ld3lfrRs>

STEP 9

Use 4Pcs No. F screws to connect Panel No. 9 to Panel No. 10 (this step requires a No. J hex wrench). Please note the prompt on the right during installation.

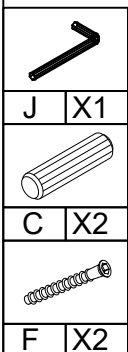
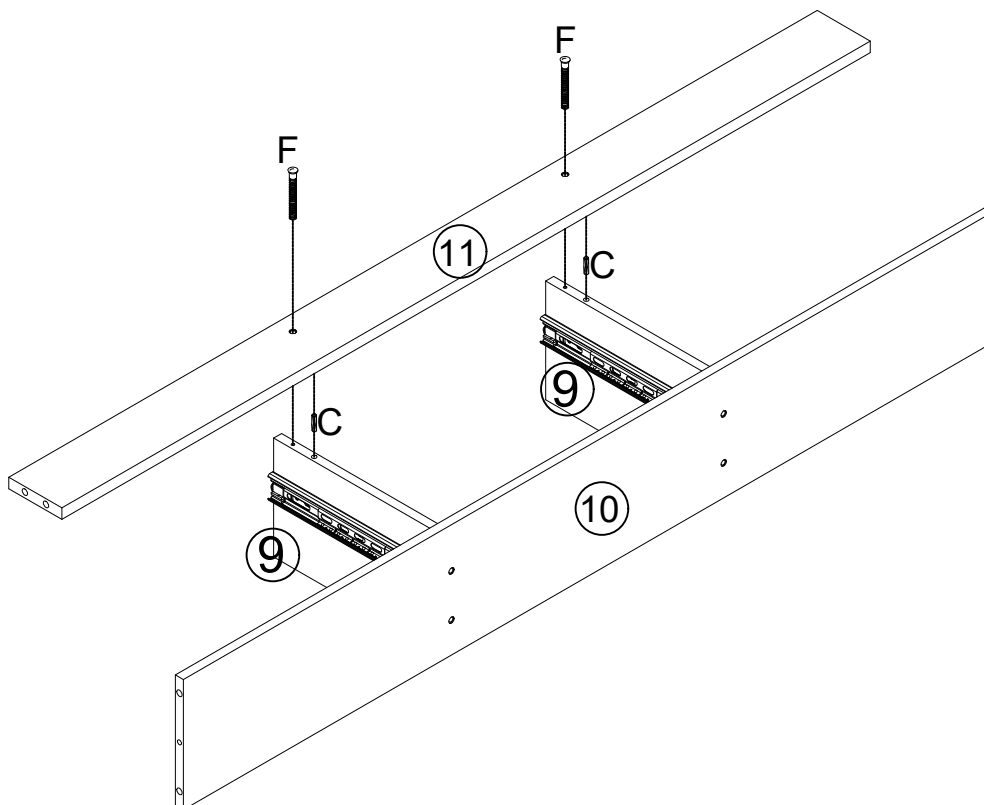


Note: The side with 3 holes on Panel No. 9 should face upward, and the side with round holes on Panel No. 10 should also face upward.



STEP 10

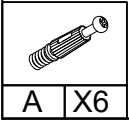
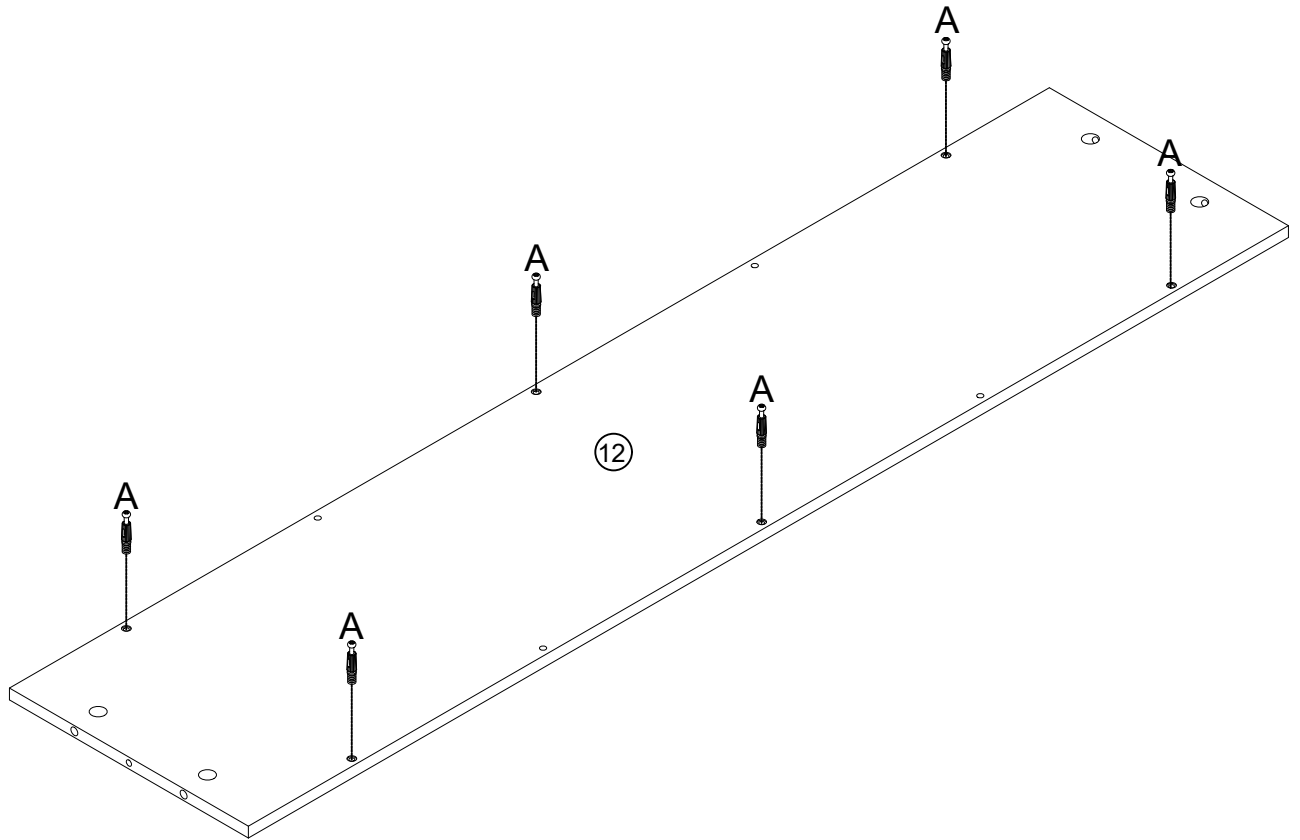
After completing the assembly in Step 10, rotate the structure 180 degrees. Then, insert 2Pcs No. C wooden dowels into the holes on the side of Panel No. 9, and finally use 2Pcs No. F screws to connect Panel No. 11 to Panel No. 9.



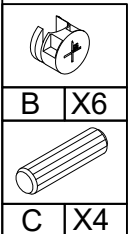
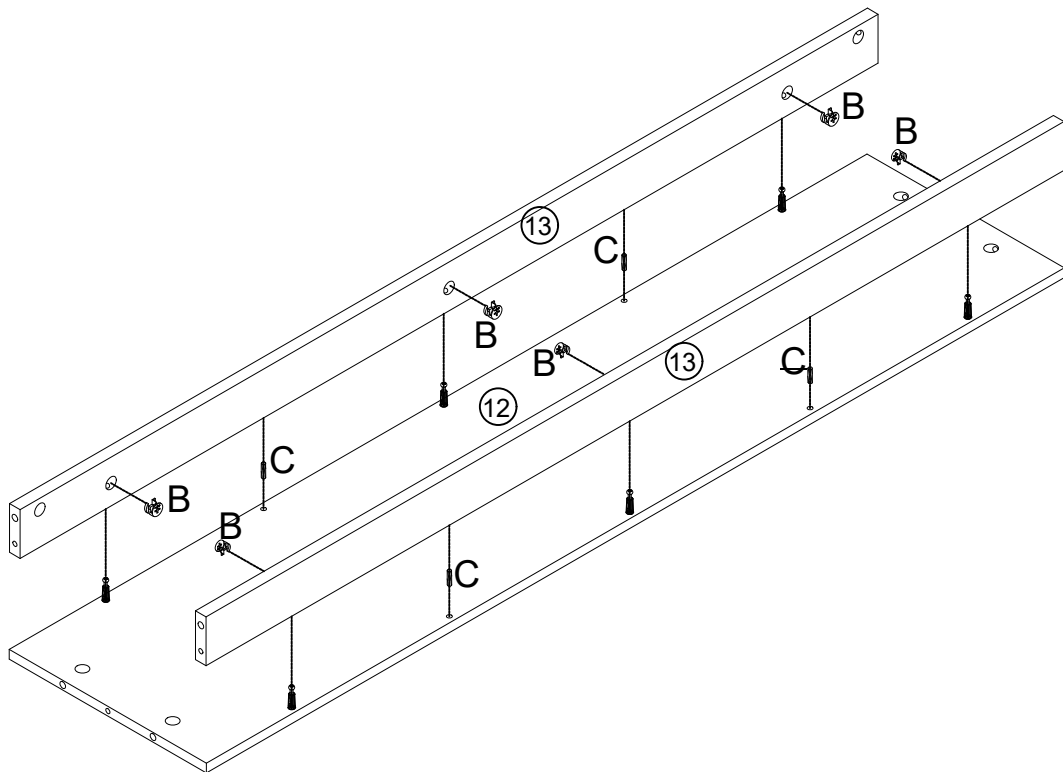
Missing parts? Or feeling stuck?
Chat with us at VIPService68@outlook.com

Watch demo video at:
<https://www.youtube.com/watch?v=o-ld3lffkRs>

STEP 11 Install 6Pcs No. A screws into the corresponding holes on Panel No. 12.



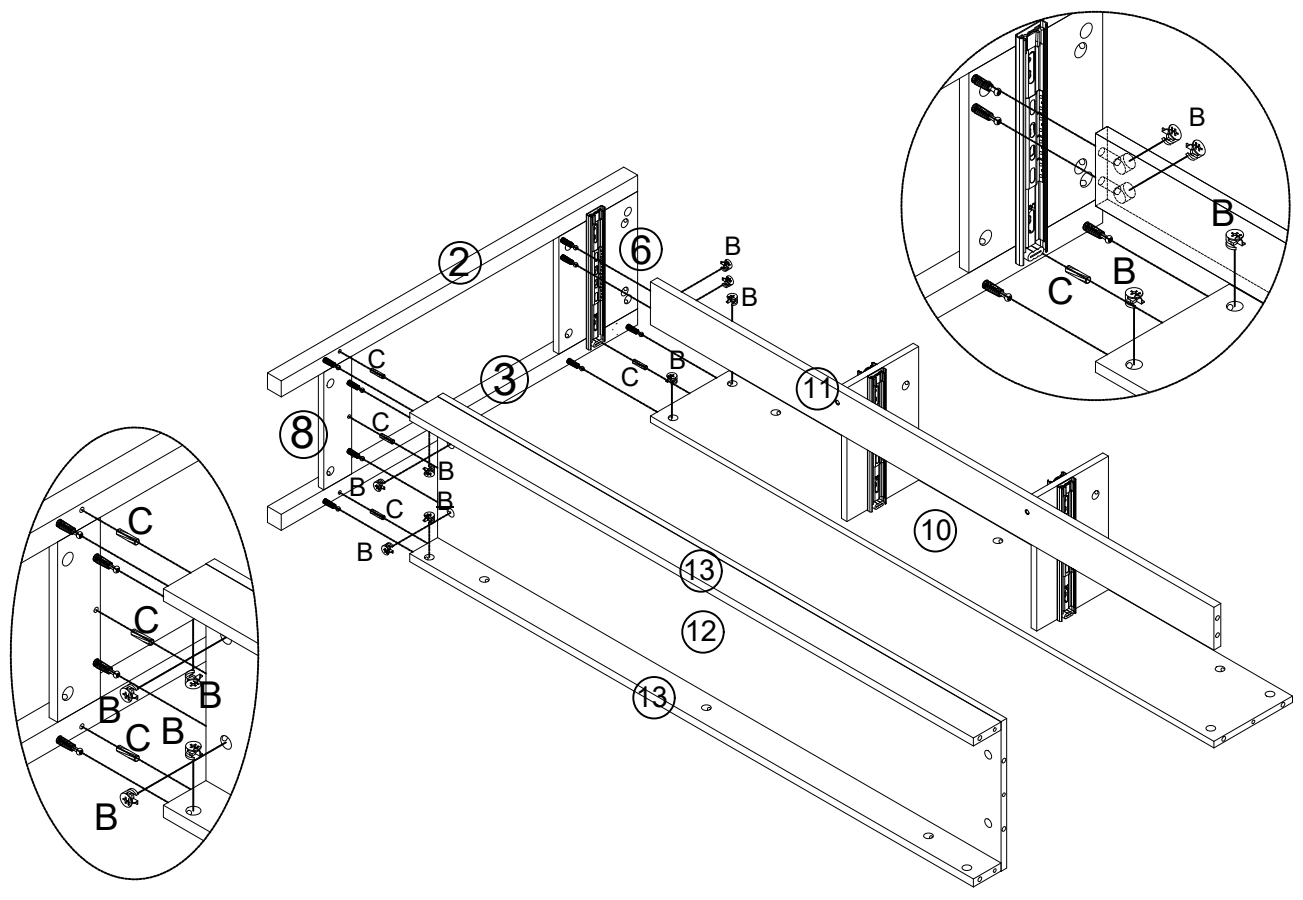
STEP 12 First, insert 4Pcs No. C wooden dowels into the corresponding holes on Panel No. 12, and then use 6Pcs No. B screws to connect Panel No. 13 to Panel No. 12.

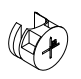
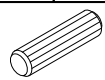


Missing parts? Or feeling stuck?
 Chat with us at VIPService68@outlook.com

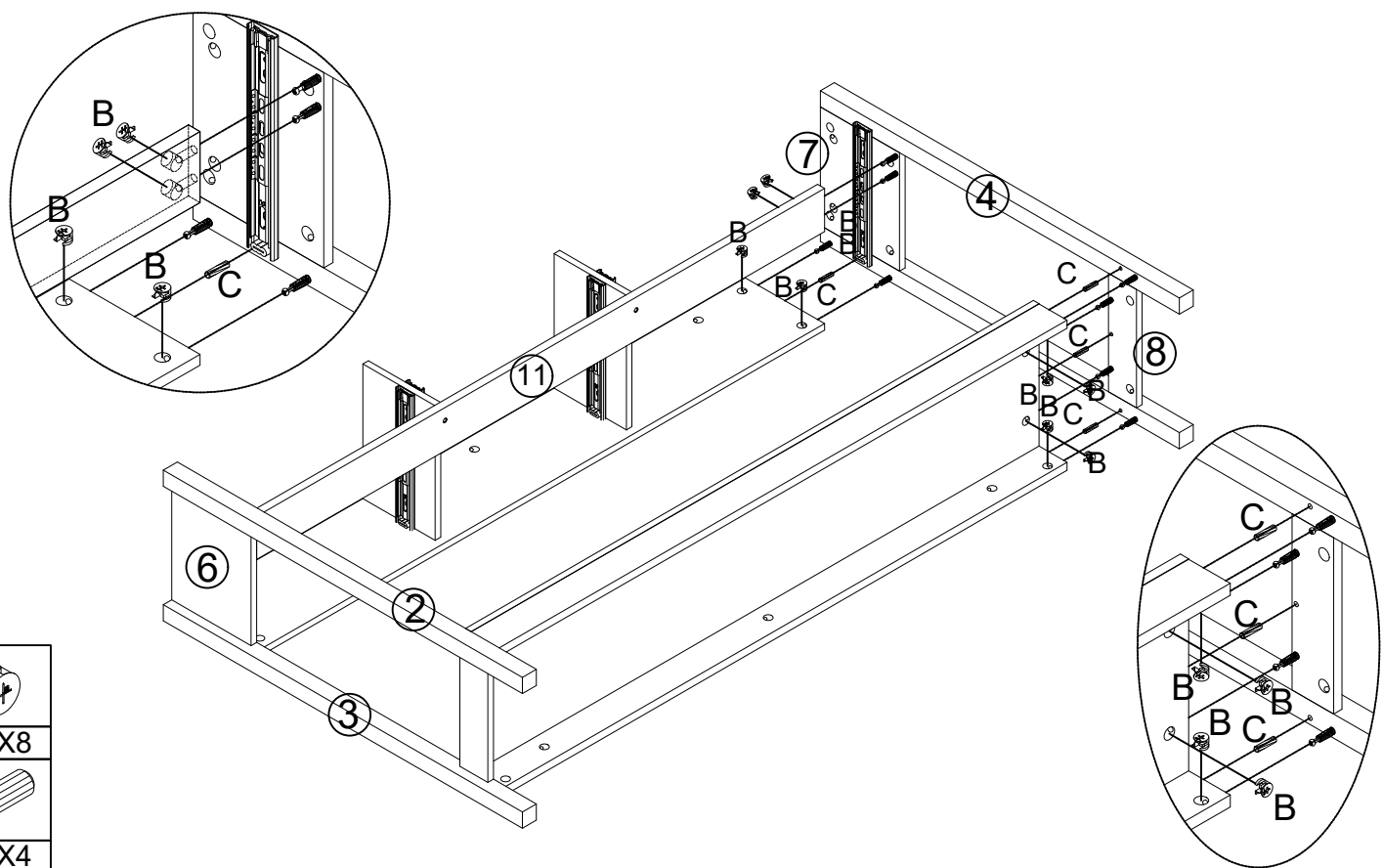
Watch demo video at:
<https://www.youtube.com/watch?v=o-ld3lfrRs>


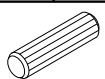
STEP 13 First, insert 4Pcs No. C wooden dowels into the holes on the sides of Panel No. 10, Panel No. 12, and Panel No. 13. Then use 8Pcs No. B screws to connect the two parts. Make sure to fully tighten all No. B screws after assembly.



	
B	X8
	
C	X4

STEP 14 First, insert 4Pcs No. C wooden dowels into the holes on the sides of Panel No. 10, Panel No. 12, and Panel No. 13. Then use 8Pcs No. B screws to connect the two parts. Make sure to fully tighten all No. B screws after assembly.



	
B	X8
	
C	X4

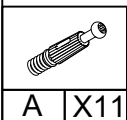
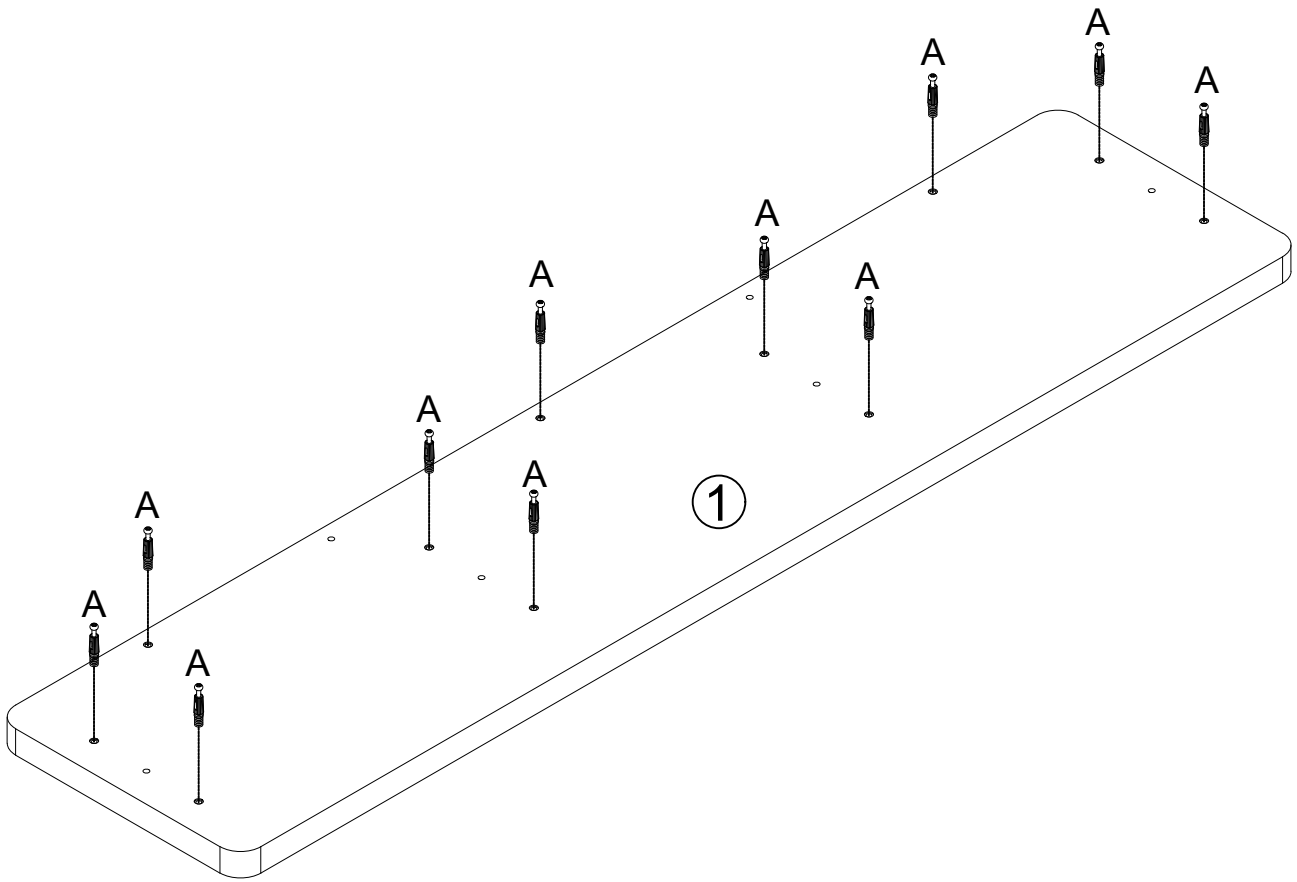


Missing parts? Or feeling stuck?
Chat with us at VIPService68@outlook.com



Watch demo video at:
<https://www.youtube.com/watch?v=o-ld3lffkRs>

STEP 15 Install 11Pcs No. A screws into the corresponding holes on Panel No. 1.

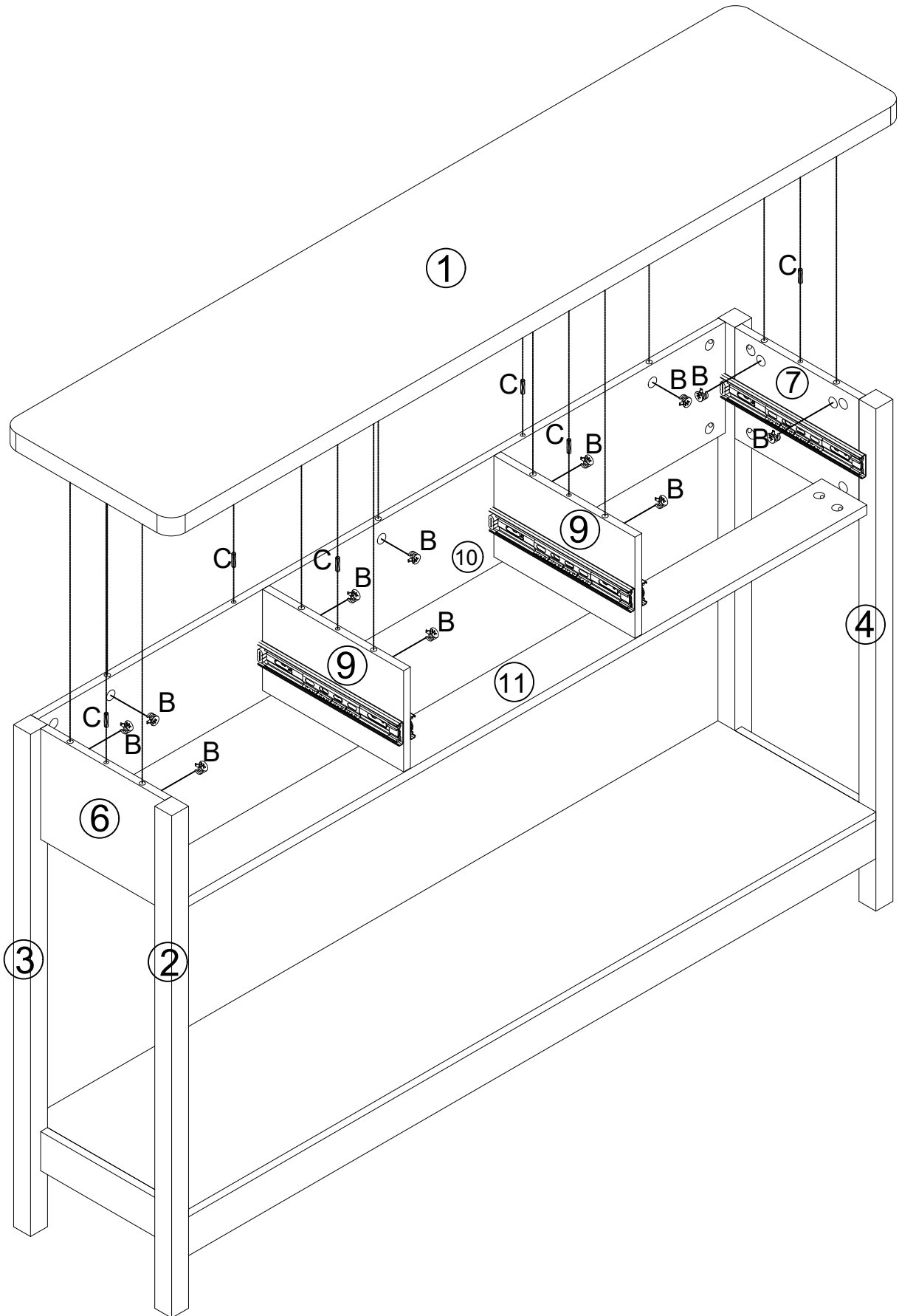



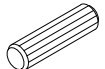
A X11


Missing parts? Or feeling stuck?
Chat with us at VIPService68@outlook.com


Watch demo video at:
<https://www.youtube.com/watch?v=o-l3flkRs>

STEP 16 First, insert 6Pcs No. C wooden dowels into the holes on the top of Panel No. 6, Panel No. 7, Panel No. 9, and Panel No. 10. Then use 11Pcs No. B screws to connect Panel No. 1 to the cabinet.



	
B	X11
	
C	X6

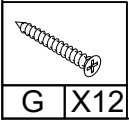
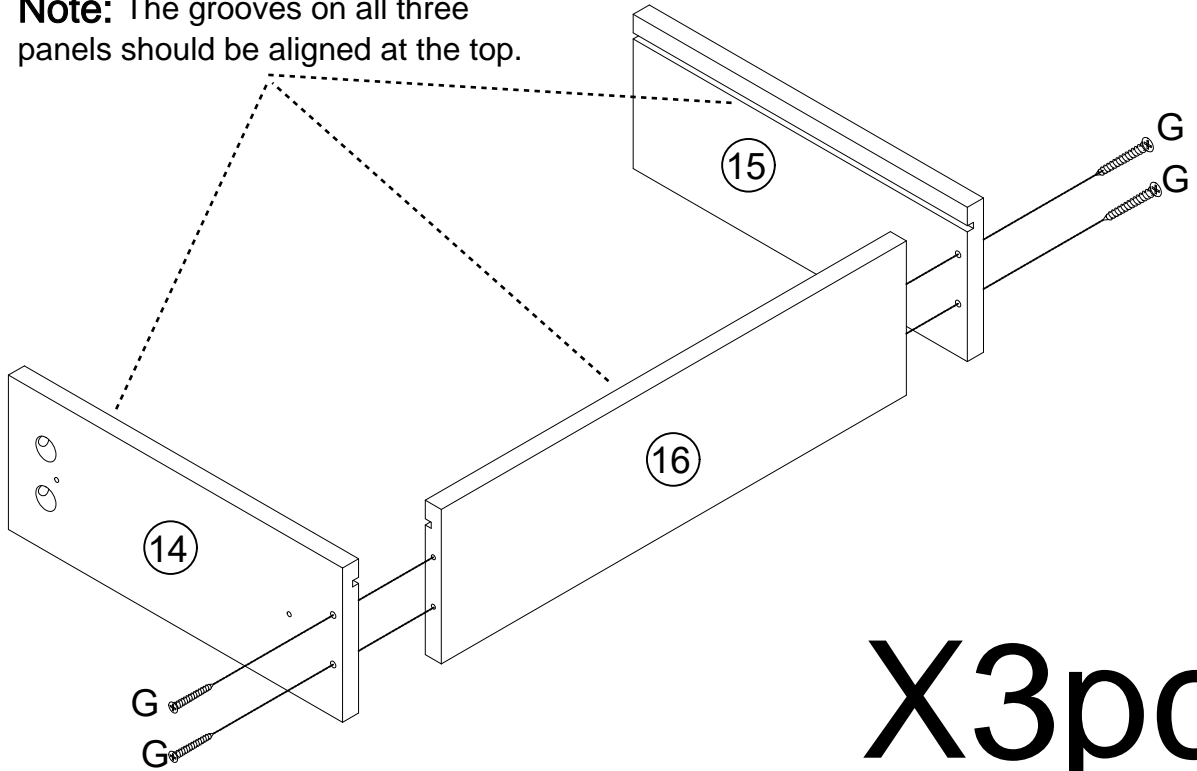
 **Missing parts? Or feeling stuck?**
Chat with us at VIPService68@outlook.com

 **Watch demo video at:**
<https://www.youtube.com/watch?v=-o-l3l3fkRs>

STEP 17 Use 4Pcs No. G screws to connect Panel No. 14, Panel No. 15, and Panel No. 16. When installing, make sure the grooves on all three panels are properly aligned. (There are three drawers that need to be assembled.)

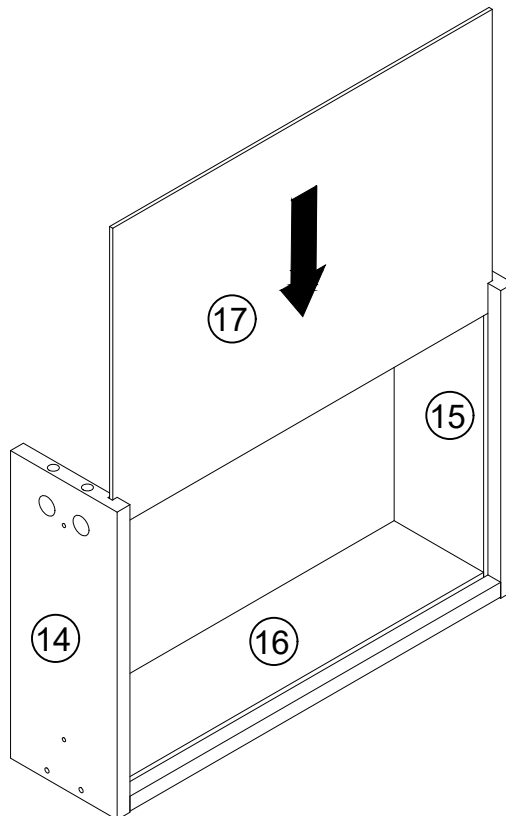


Note: The grooves on all three panels should be aligned at the top.



X3pcs

STEP 18 Insert Panel No. 17 into the grooves of Panel No. 14, Panel No. 15, and Panel No. 16. (There are three drawers that need to be assembled.)



X3pcs

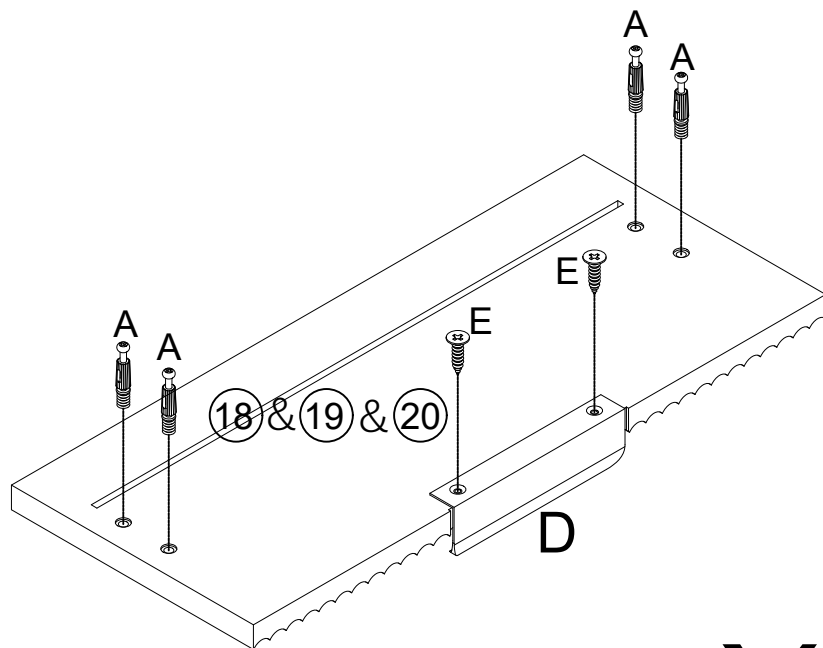


Missing parts? Or feeling stuck?
Chat with us at VIPService68@outlook.com



Watch demo video at:
<https://www.youtube.com/watch?v=o-lD3fkRrS>

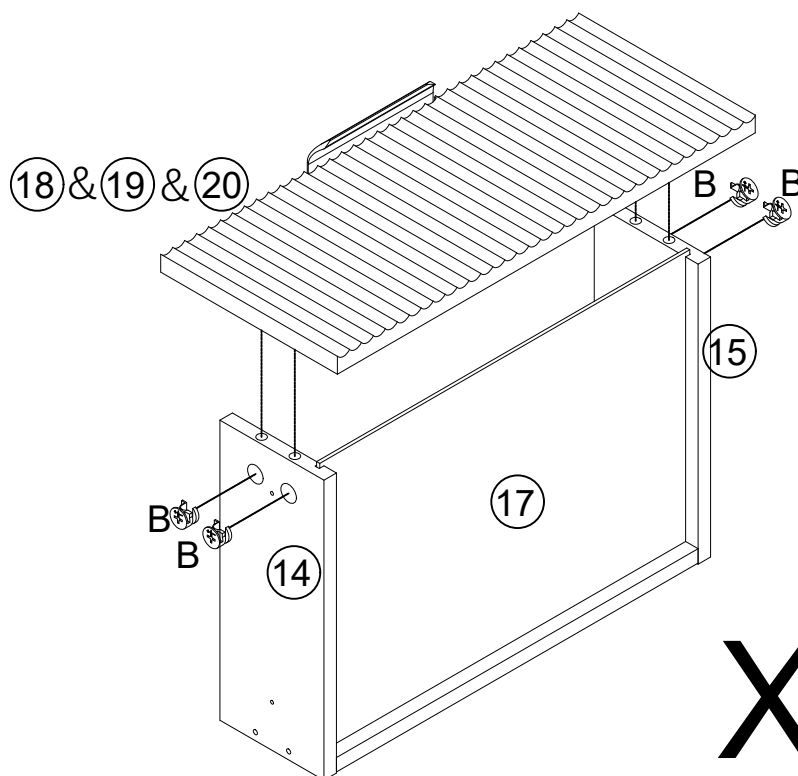
STEP 19 First, use 2Pcs No. E screws to install the D handle on Panel No. 18, Panel No. 19, and Panel No. 20. Then install 4Pcs No. A screws into the corresponding holes.(There are three drawers that need to be assembled.)



	A	X12
	D	X3
	E	X6

X3pcs

STEP 20 Use 4Pcs No. B screws to connect Panel No. 18, Panel No. 19, and Panel No. 20 to the drawer. (There are three drawers that need to be assembled.)



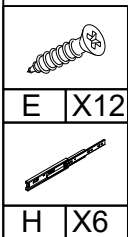
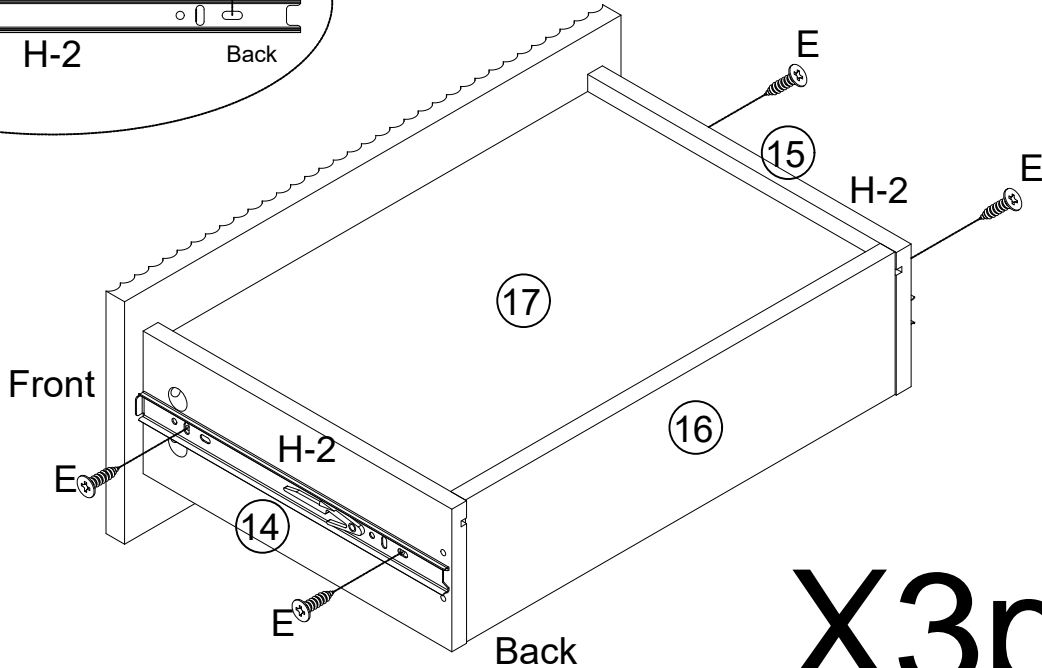
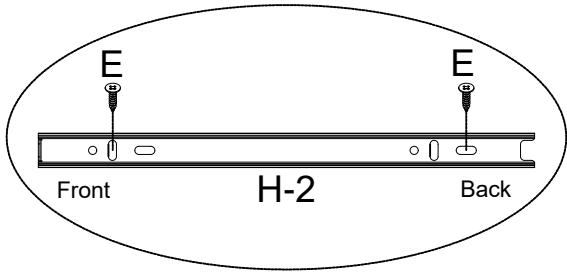
	B	X12
--	---	-----

X3pcs

Missing parts? Or feeling stuck?
 Chat with us at VIPService68@outlook.com

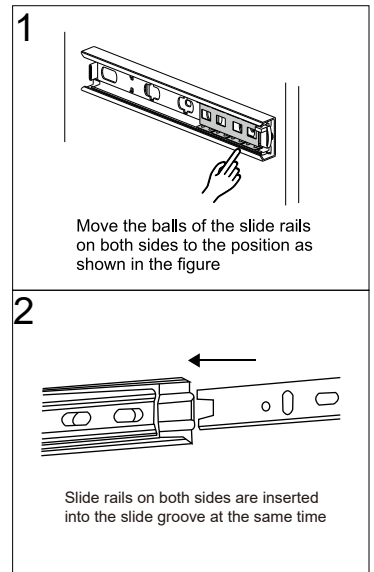
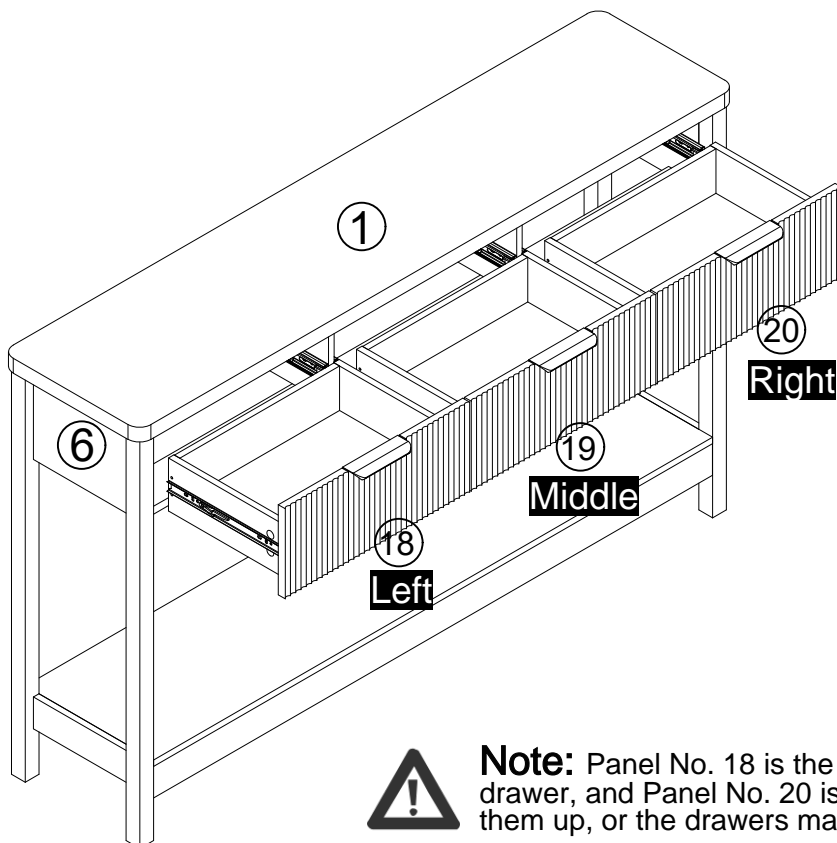
Watch demo video at:
<https://www.youtube.com/watch?v=o-l3l3fkRs>

STEP 21 Use 4Pcs No. E screws to install the H-2 outer rail on Panel No. 14 and Panel No. 15. Please refer to the hole positions shown in the upper left corner for installation. (There are three drawers that need to be assembled.)



X3pcs

STEP 22 Note: When assembling the inner rail (No. H-2), first insert it into the plastic clip, then push the inner rail (No. H-2) parallel to the outer rail (No. H-1). Forcing it in may cause the rail ball to fall off or deform. If the rail is damaged, please contact us promptly, and We will provide a new one for **Free!**

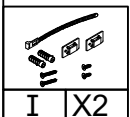
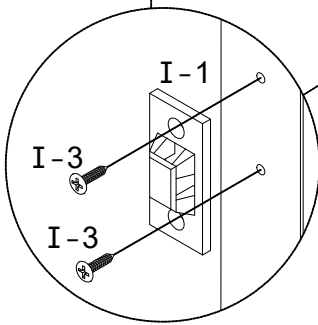
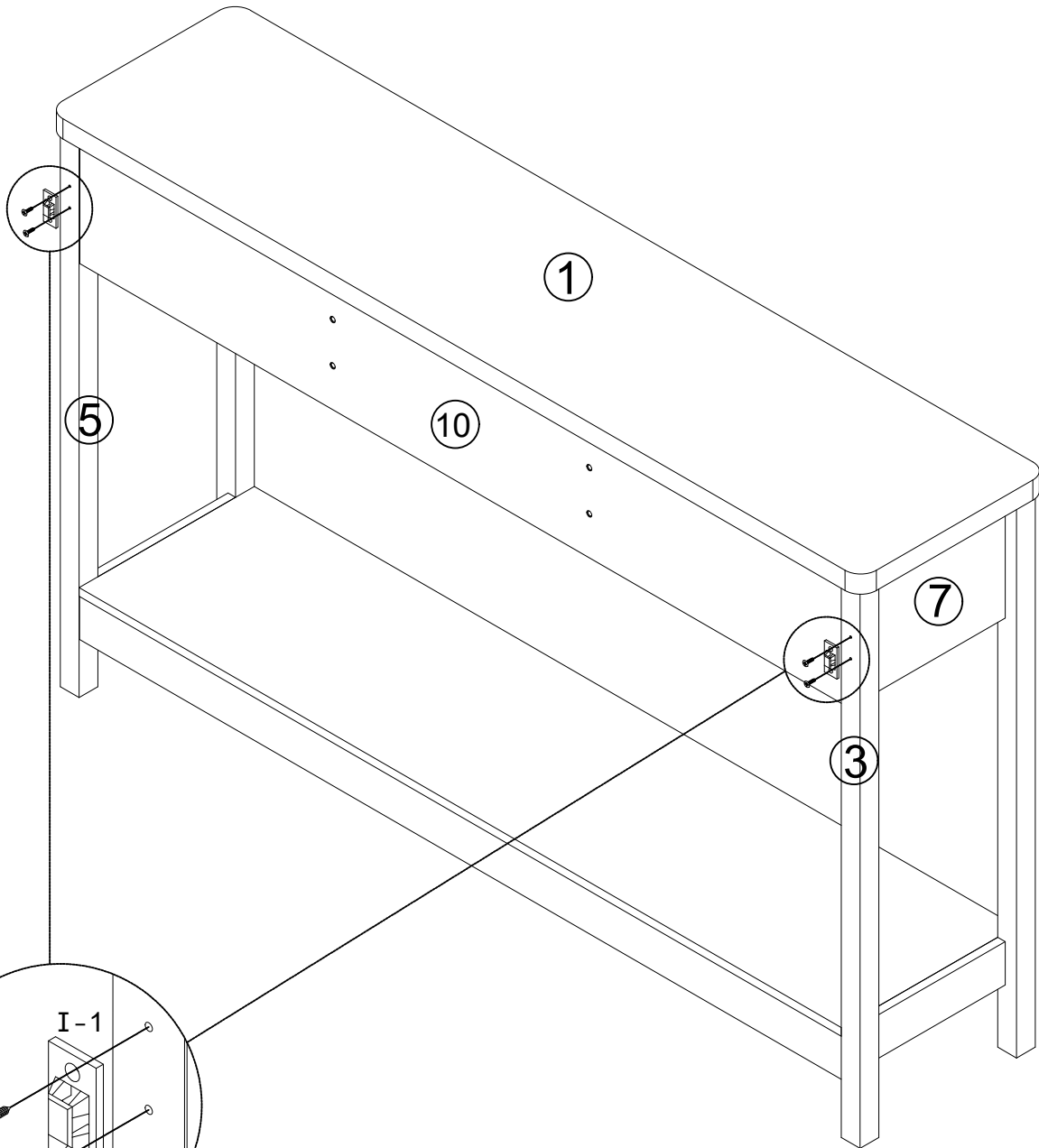
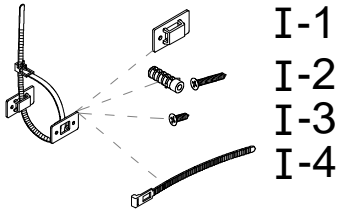


Note: Panel No. 18 is the left drawer, Panel No. 19 is the middle drawer, and Panel No. 20 is the right drawer. Please do not mix them up, or the drawers may not close properly.

? **Missing parts? Or feeling stuck?**
Chat with us at VIPService68@outlook.com

▶ **Watch demo video at:**
<https://www.youtube.com/watch?v=o-ld3lffkRs>

STEP 23 First, divide the No. 1 parts into I-1, I-2, I-3, and I-4 according to the shapes shown in the picture. Then, use 4Pcs No. I-3 screws to install I-1 on the back of Panel No. 3 and Panel No. 5.





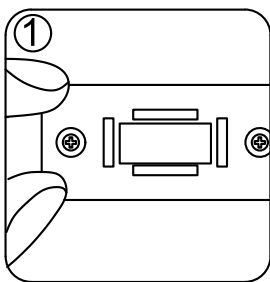
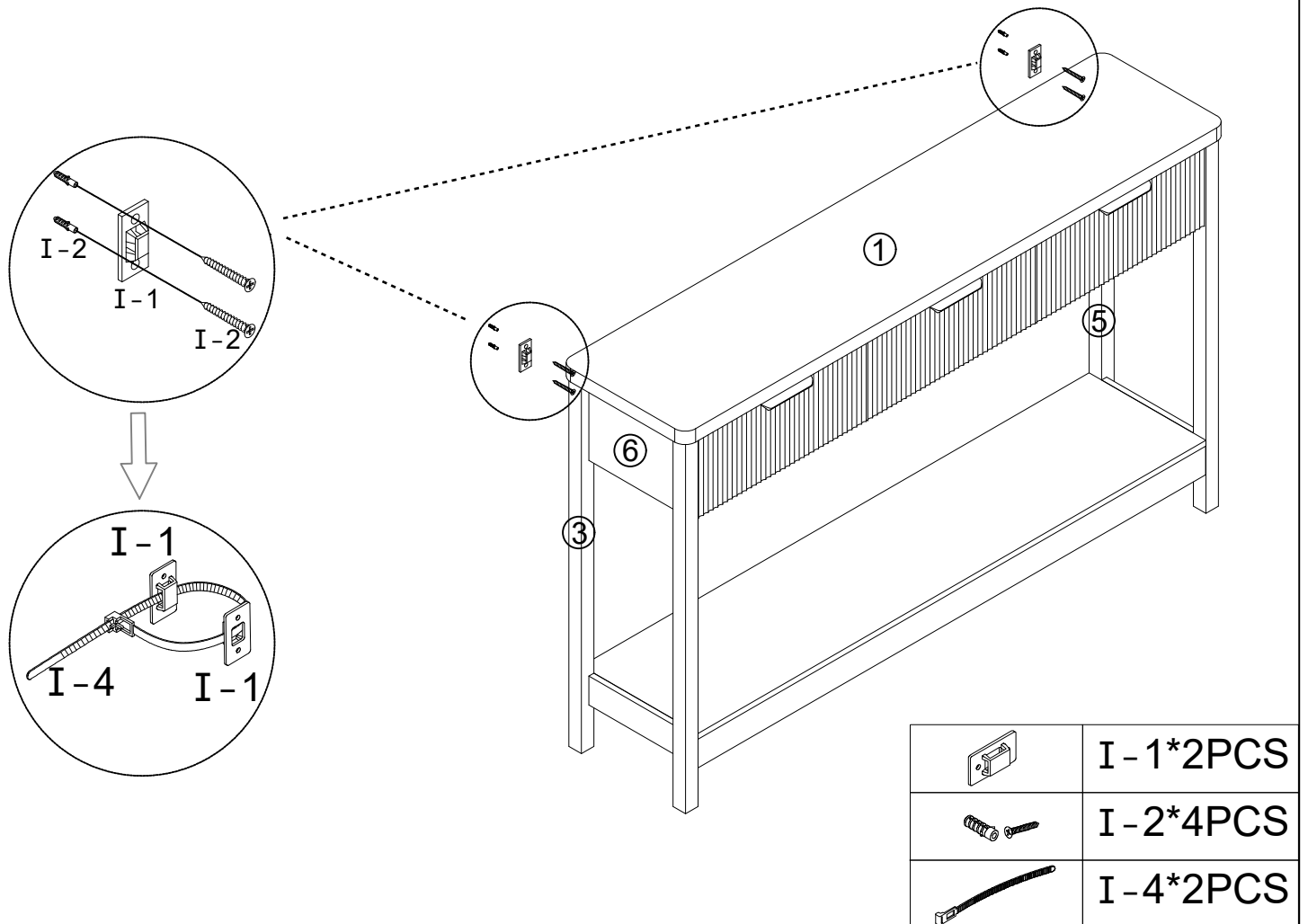
Missing parts? Or feeling stuck?
Chat with us at VIPService68@outlook.com



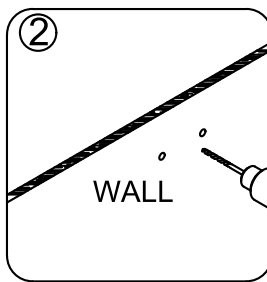
Watch demo video at:
<https://www.youtube.com/watch?v=o-ld3lfkRs>

STEP 24

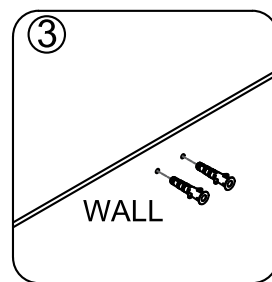
Furniture tipping over can cause serious injury to young children. You must install the anti-tip device hardware (No. I) on the equipment to prevent it from tipping over and causing accidents or damage. Anti-tip devices are intended only as a preventive measure; they are not a substitute for proper adult supervision.



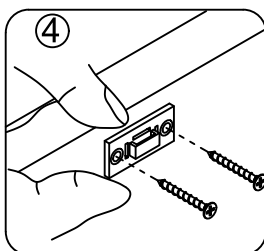
1. Make mark on the wall



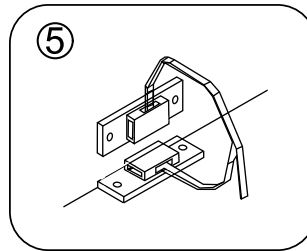
2. Drill two $\varnothing 6$ holes on the wall



3. Put two anchors in the holes



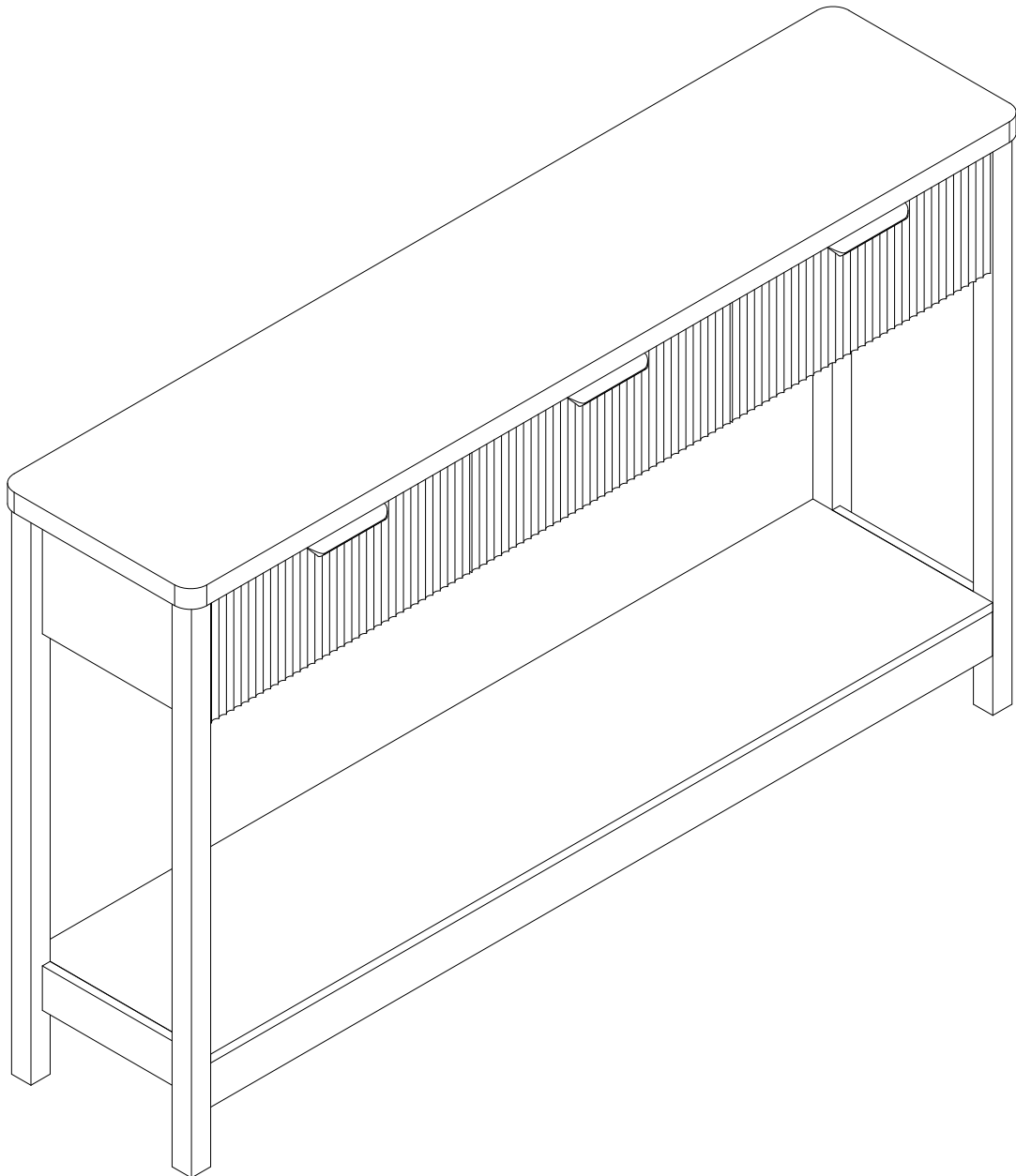
4. Fix the device(I-1) on the wall by the long screws (I-2)



5. Push the Dresser close to the wall so that the two bases are close to each other, and then put on nylon tie (I-4) to tighten it.



Wow, you assembled the Furniture incredibly well!
It looks amazing !
You really did it!
You've completed a great challenge!



Care Instructions



Your furniture, if treated with respect and love, will last you a long time. Each piece requires light maintenance to maximize its longevity.

Few quick tips before using this product

1. Recommended weight limit for the table top is 150lbs and 22lbs for each drawers.
2. Do not open more than 2 drawers at the same time without install the tipping restraint hardware, otherwise there is a risk of tipping.
3. When storing heavier items, place them as close to the bottom drawer as possible for stability.
4. Check and tighten the camlock and screw periodically as it may loose over the time.

How to take care of it?

1. Avoid direct sunlight or use curtains or blinds to limit the sun exposure to the product.
2. Clean the product regularly with a dry, soft cloth.
3. Avoid using abrasive or liquid cleanser.
4. Avoid placing hot objects onto the table top surface.
5. Spillage may damage the surface. Clean immediately with a dry cloth.
6. We recommend using placemats or coasters underneath glasses, cups, bowls or plates to prevent scratches to the table surface.

Frequently Asked Questions



For any enquiries or issues regarding your purchase, chat with us at VIPService68@outlook.com

1. What should I do if my order is incomplete?

Our products ship flat-packed in separate boxes. When your order leaves via FedEx, you ' ll get an email with tracking details. Keep in mind that FedEx may deliver your boxes separately, so wait until you have them all before you start assembling. If you need help tracking your delivery, please visit aftersaleservice.net or email vipservice68@outlook.com.

2. What should I do if my shipment is damaged or items are defective?

We ' re really sorry if you received a damaged or defective item. Please email us at vipservice68@outlook.com or chat with us at aftersaleservice.net. Send a description and some photos or videos of the damage, and we ' ll sort it out as quickly as possible.

3. Can I order replacement parts?

Yes! Just get in touch with our customer service at vipservice68@outlook.com or via chat at aftersaleservice.net. Tell us your order ID, and we ' ll help you with the parts you need.1

4. What warranty do you offer?

Our warranty covers damage that isn ' t caused by user error. If your product is damaged for these reasons, keep it and send us some photos at vipservice68@outlook.com. We ' ll review the damage within 24 hours and work for you to find a solution.

5. Why is there lubricant on the drawer slides?

No worries! The drawer slides are lubricated at the factory to ensure smooth movement and to help them last longer. This is completely normal.

6. Why does the new furniture have an odor?

A slight smell is normal with new furniture due to the materials and packaging. It should fade away after a few days of airing out.

7. Why is there a slight color difference in my furniture?

The color may appear different under varying lighting conditions and display settings. In dim lighting, the wood grain may look darker. This is completely normal and just part of the natural characteristics of the material.

8. My furniture seems smaller than expected. What should I do?

Our product dimensions are accurate. Pictures often focus closely on the item, which can make it appear larger than it really is. When placed in a bigger room, the furniture might seem smaller. Room layout and screen settings can also affect your perception of size. If you have any concerns or need more details, please contact our customer service at aftersaleservice.net or email vipservice68@outlook.com. We're here to help!

9. What should I do if I want to return the product?

We offer a 30-day return policy from when you receive your order. To start a return, please contact us through Amazon, email vipservice68@outlook.com, or visit aftersaleservice.net. Just let us know why you ' re returning the item, and we ' ll help you out.

WARNING



Children have died from furniture tipover. To reduce the risk of furniture tipover:

- ALWAYS install Anti-tip device provided.
- NEVER put a TV on this product.
- NEVER allow children to stand, climb or hang on drawers, doors, or shelves.
- NEVER open more than one drawer at a time.
- Place heaviest items in the lowest drawers.



*This is a permanent label.
Do not remove!*