

ASSEMBLY INSTRUCTIONS

Important Safety Instructions:

Please read all instructions before beginning assembly

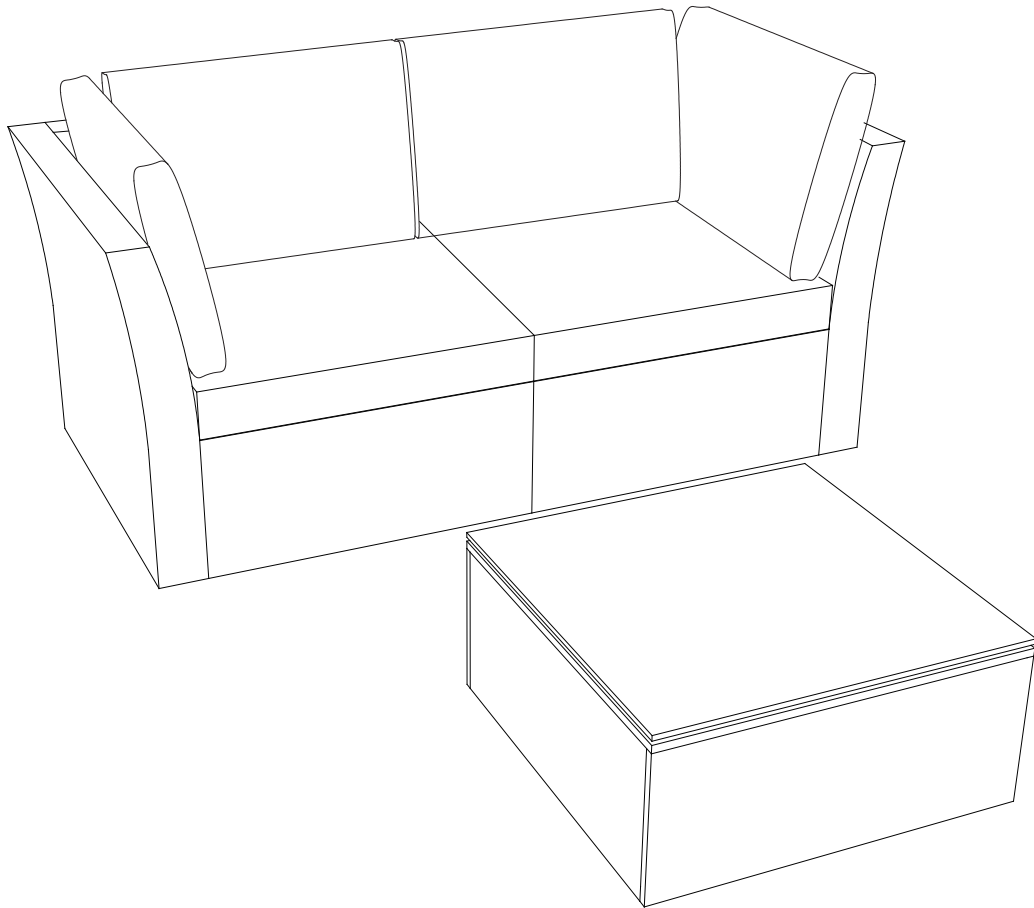
Please make sure receive all the parcels to start the assembly

For your safety and convenience, assembly by two people is recommended

Use the parts and hardware lists to identify and separate each of the components included

Save all packing materials until assembly is completed to avoid the accidental discarding of smaller parts or hardware

Note:All cushions are shrinkwrap pack.



THANK YOU FOR PURCHASING

NOTICE



Please keep these instructions for future reference.



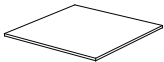

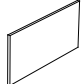

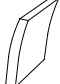
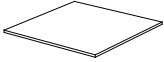

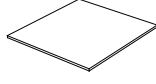
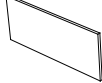
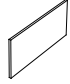
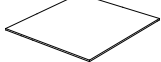
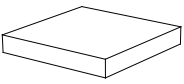
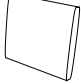

Dear Customer

- Thank you for your purchase. When you receive the product, please make sure that all the parts are intact. Then follow the entire installation instructions to install!
- When installing, please be careful not to tighten the screws immediately! You need to make sure that all the screws are secured to 80%, then tighten them!
- In order to protect the rattan from harm. and the screw hole from grind, do not use the electric drill, please use the manual screwdriver in the hardware package!

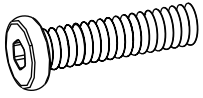
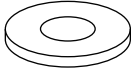

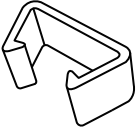
CARE INSTRUCTIONS

- **IMPORTANT!** Always cover the conversation sets with the waterproof cover (**included**) when not in use, or you will get dirty surface and cushion full of water.
- To clean the cushion cover, please take out the sponge inside. Follow the care instructions that are sewn into the fabric. Never use solvent-based detergents since these may bleach the material and damage the fabric.
- To clean the metal frame and weaving rattan ,wipe them with clean water.It is not recommended to clean products with a strong cleaner or an abrasive materials, it may discolor or damage the surface.

PART LIST

1	ARM SEAT BACK-LEFT	1PC	
2	CORNER BACKREST-LEFT	1PC	
3	CORNER SEAT-LEFT	1PC	
4	FRONT PANEL-LEFT	1PC	
5	SIDE PANEL	2PCS	
6	ARM SEAT BACK-RIGHT	1PC	
7	CORNER BACKREST-RIGHT	1PC	
8	CORNER SEAT-RIGHT	1PC	
9	FRONT PANEL-RIGHT	1PC	
10	TABLE TOP	1PC	
11	TABLE SIDE PANEL	2PCS	
12	TABEL FRONT PANEL	2PCS	
13	GLASS	1PC	
16	SEAT CUSHION	2PCS	
17	BACK CUSHION	2PCS	
18	CORNER CUSHION	2PCS	

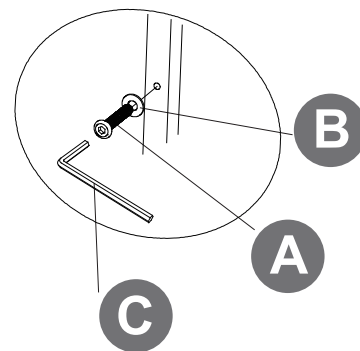
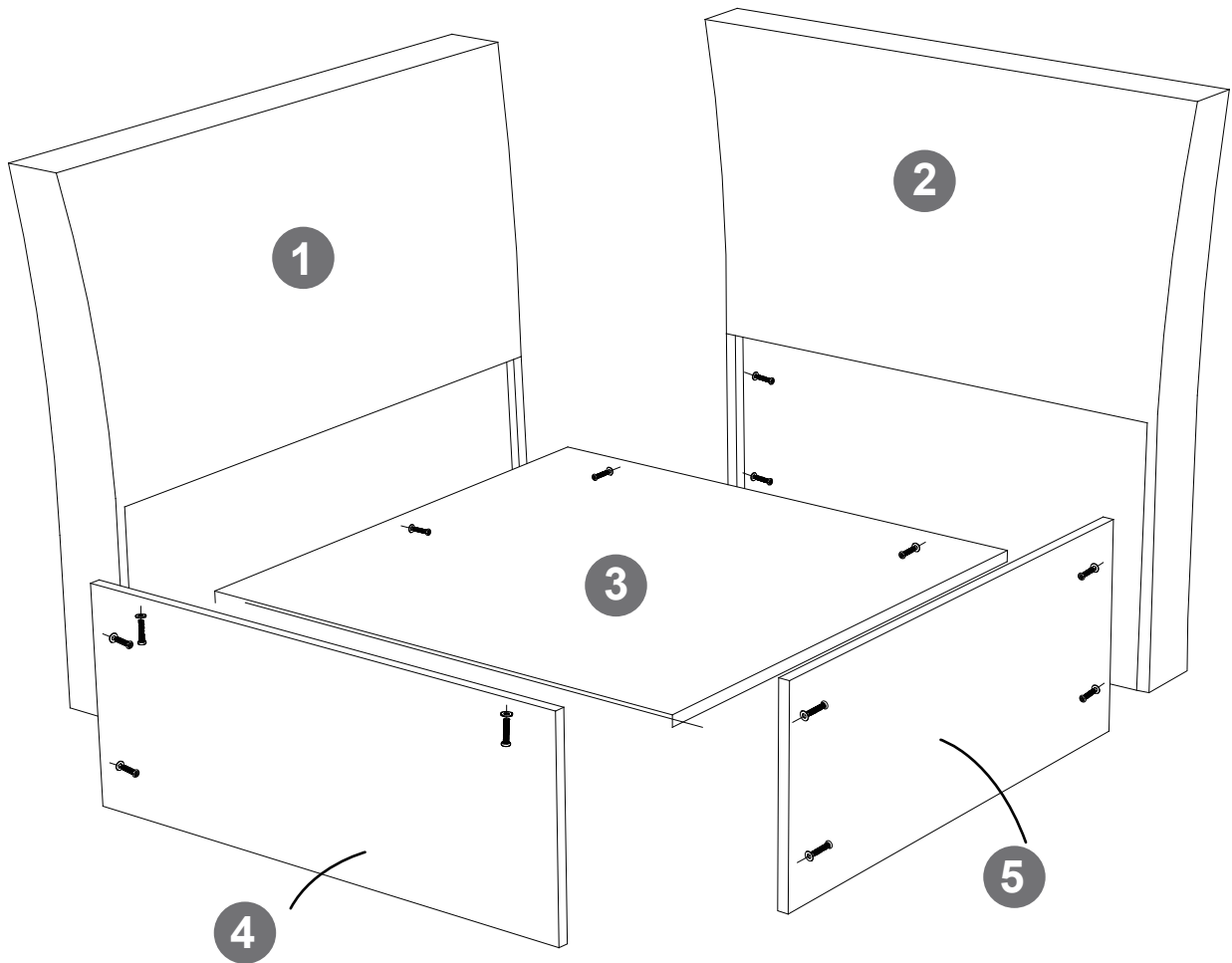
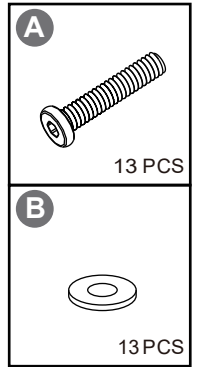
HARDWARE

A		BOLT (M6x30 mm)	38+1 PCS
B		GASKET	38+1 PCS
C		ALLEN WRENCH	1PC
D		PLASTIC BUCKLE	6PCS

STEP

⚠ Notice!

When installing, please **DO NOT** to tighten the screws immediately!
You need to make sure that all the screws are secured to 80%, then tighten them! (In order to aim all the screw holes)

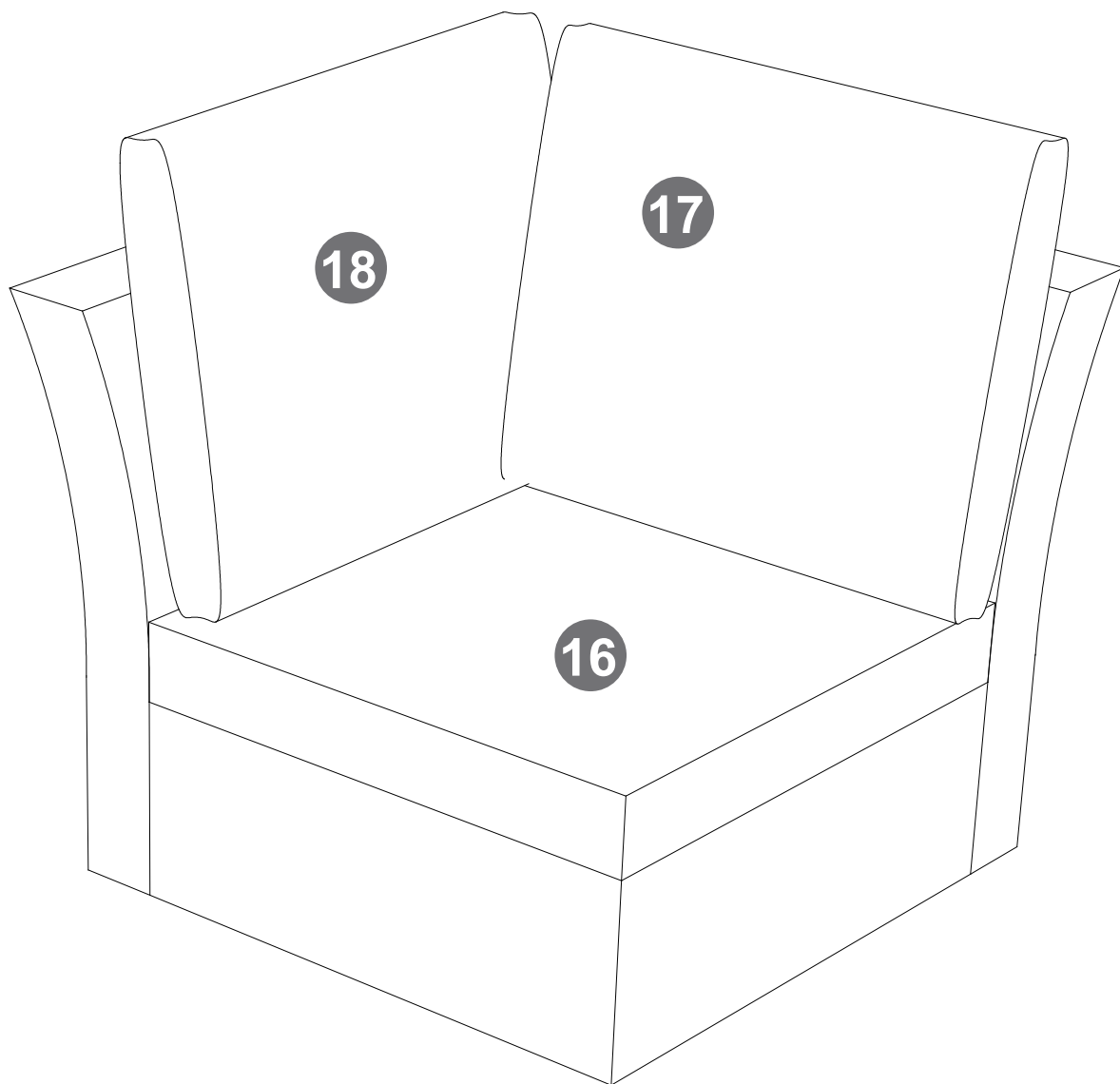


STEP

⚠ Notice!

The installation is complete.

Make sure ALL the screws are fully tighten.

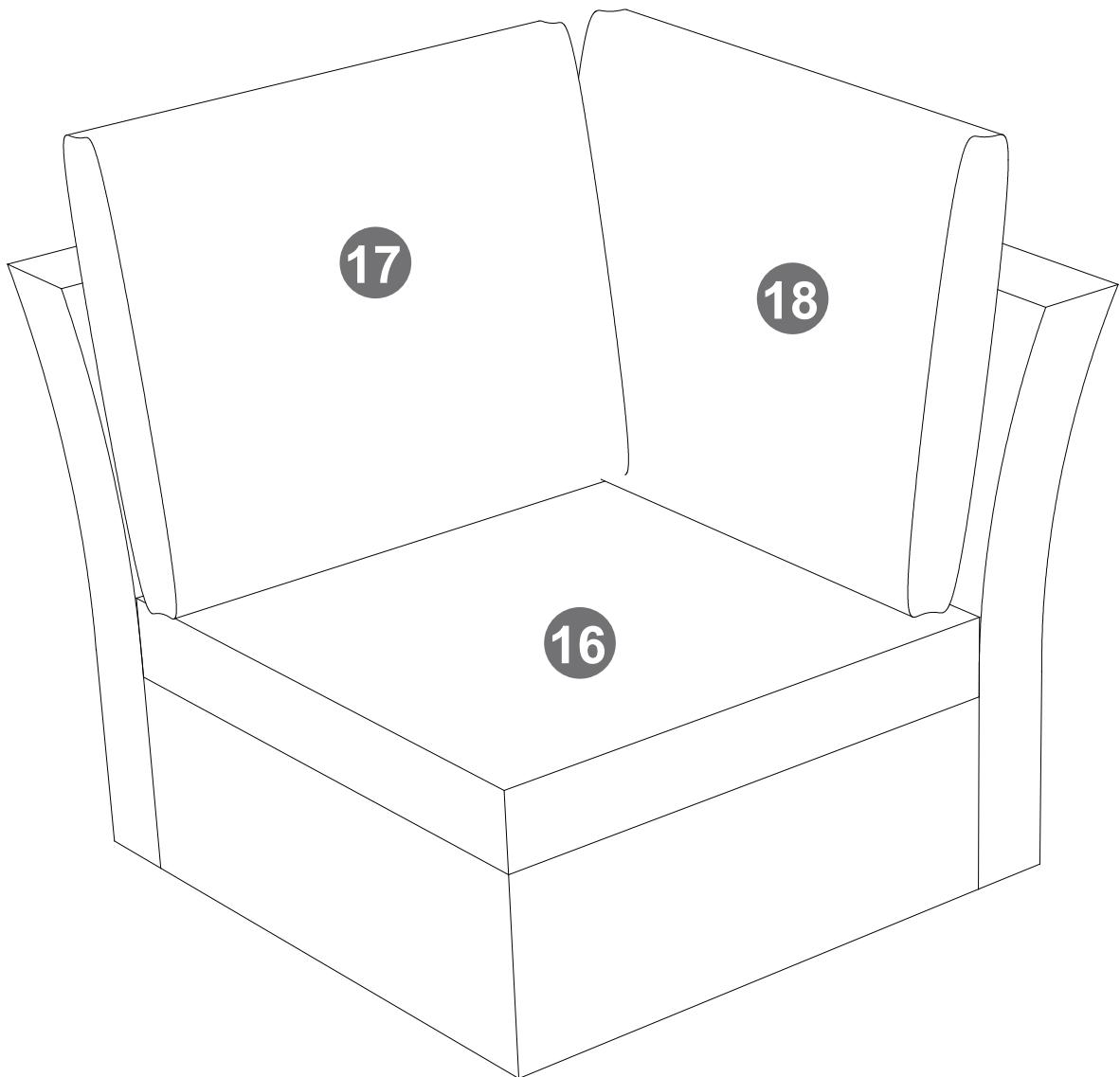


STEP

⚠ Notice!

The installation is complete.

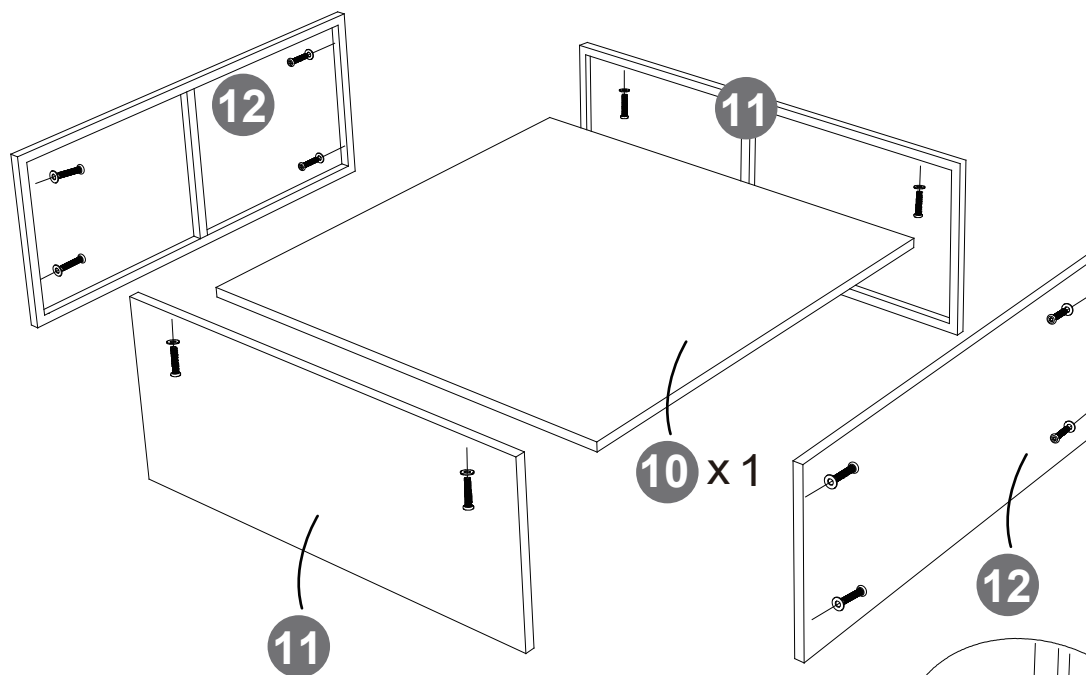
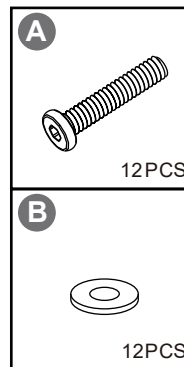
Make sure ALL the screws are fully tighten.



STEP

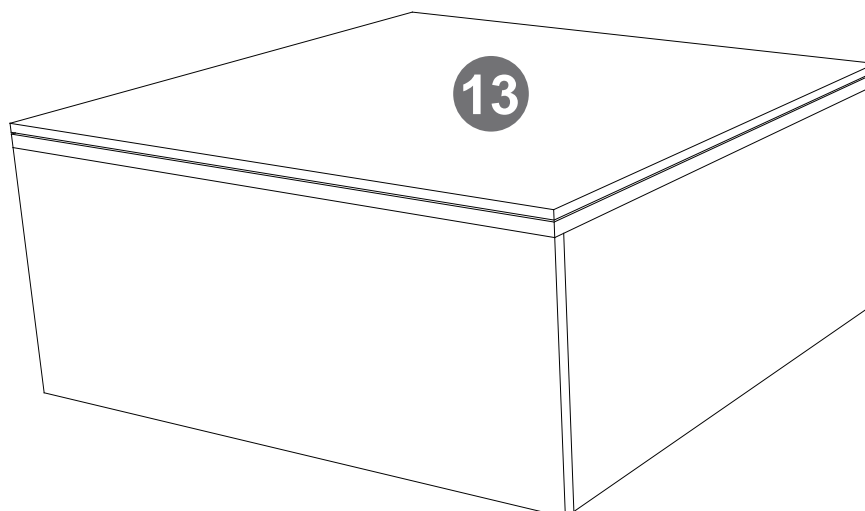
⚠ Notice!

When installing, please **DO NOT** to tighten the screws immediately! You need to make sure that all the screws are secured to 80%, then tighten them! (In order to aim all the screw holes)

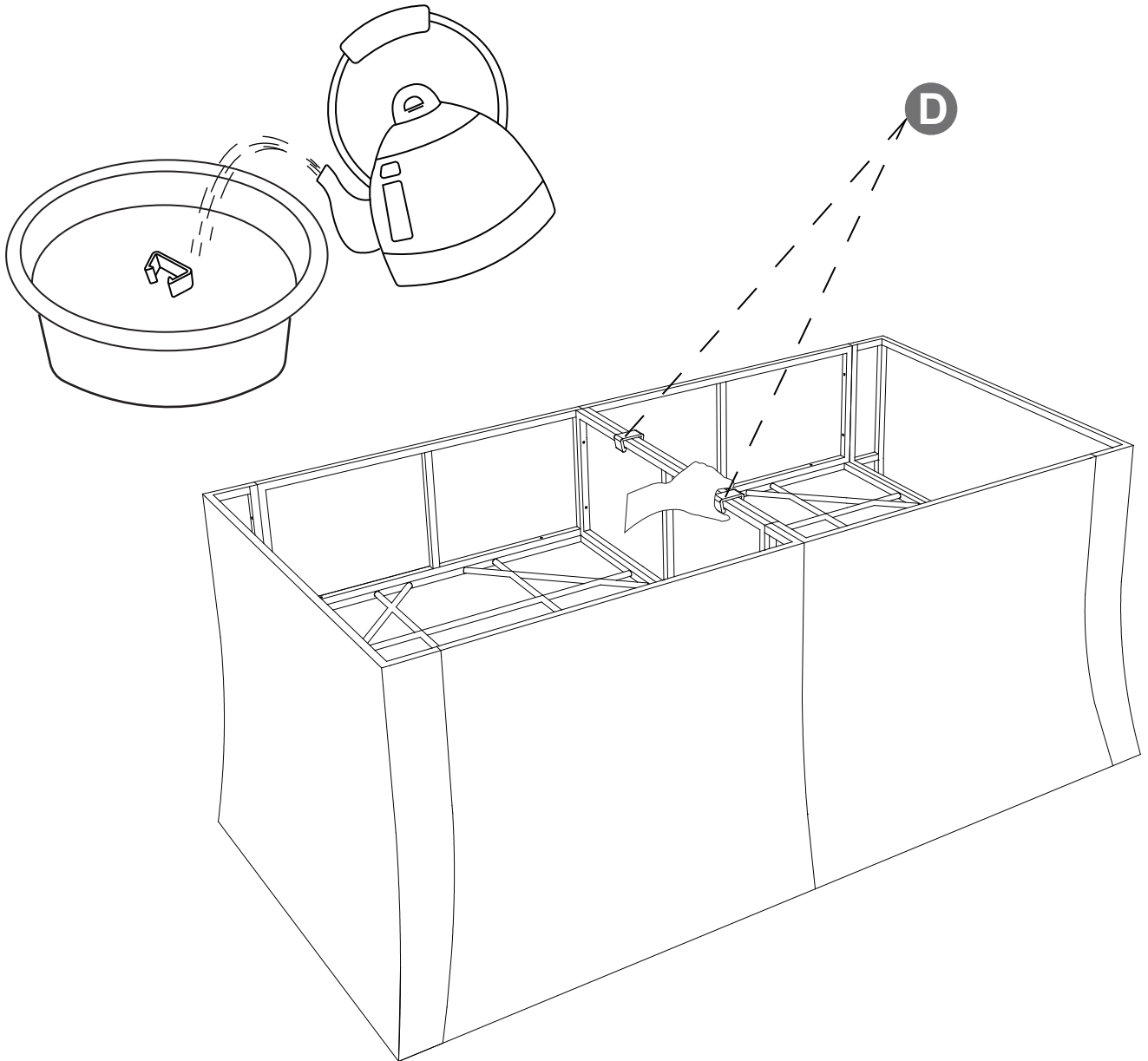


⚠ Notice!

The installation is complete. Make sure **ALL** the screws are fully tighten.



STEP



TIPS

1. In order to increase the toughness of the sofa fixed buckle, please soak it in hot water for 10 minutes before use.
2. When in use, first to snap one side of the buckle into the metal frame, and then force the other side into all the frame.
3. You can freely to make a variety of combinations using the above methods.

Furniture Care & Cleaning Instruction

- Do not expose the furniture to strong sunlight, which causes discoloration and shortens the product lifetime.
- Do not expose the furniture to extreme heat, cold, or humidity, which may cause wood to swell or warp.
- Do not leave the furniture wet with beads of water standing on the furniture.
- Wipe-spills with a clean dry cloth. Do not use chemicals or abrasives for cleaning!
- TAKE NOTE: THE BOLTS MAY SLIGHTLY LOOSEN OVER TIME. IF YOUR FURNITURE FEELS "WOBBLY" OR LOOSE, PLEASE RE-TIGHTEN BOLTS.

Wood Furniture Care & Cleaning Instruction

- To maintain the quality of your wood furniture, do not expose it to direct sunlight or excessive temperatures, extreme changes in humidity can cause warping.
- Better use coasters, pads, cloth or felt to protect the furniture surface. Use protective mats under hot dishes. Use a protective pad when writing with a pen.
- Lift objects rather than dragging them over the furniture surface.
- Blot spills immediately with a clean cloth. Dust often using a soft, clean, lint-free cloth. Avoid harsh fabrics, paper towels or disposable dusting towels as they may scratch the surface.
- Use a non-silicone and non-wax polish, do not use soap, water or wax.

Outdoor Furniture Cushions

Extend the life of your cushions by keeping them free of dirt and foliage. Periodically shaking or rinsing the cushions is recommended. Thoroughly flush using a hose with cold water to remove all soil and residue. For deeper cleaning, spot clean with mild soap. Do not machine wash or use chlorine bleach. Stand cushions on end and dry completely in the sun before using or storing. Do not place in dryer. To prevent mildew, never wrap in plastic for storage and ensure the cushion is completely dry before storing. Store indoors when not in use for long periods of time or during inclement weather.

Furniture Warranty

CUSHION AND WOOD COMPONENT

Limited 90 days warranty from date of delivery against manufacturer defects or excessive deformity of cushions and components under normal use and conditions. Replacements and repairs will be in the original color and style, if available; a similar color and style will be offered if the original has been discontinued.

Important Limitations

- Please note that our warranties do not cover failure due to:
 1. Any modifications to the original structure of the product/Accidental damage/Abuse/Misuse/Commercial Use.
 2. The wear and tear caused by daily use, including: fading, scratching or chipping
 - Any defects Parts or missing parts must be reported within the 30 days of receipt of the item otherwise it would be out of our 90 days warranty term.
-
-

What is Proposition 65?

Proposition 65 is a California law that requires warning labels on products that may contain one of more than 800-plus chemicals or ingredients that the California Office of Environmental Health Hazard Assessment (OEHHA) has deemed to cause cancer or other reproductive toxicity. chemicals and elements on this list include wood dust, brass, and other everyday substances, which can be found in very common household items, such as: lamps, tableware, jewelry, crystal glasses, electric cords, beauty products, automobiles, and furniture.

Why Did I Find a Proposition 65 Warning on My Home Goods Product?

We include Proposition 65 warnings on all of our products because there is always a chance that one of the 800-plus common chemicals and ingredients listed under this law could potentially be on our furniture or packing materials. We risk large fines under this law, if we don't include this warning.

Should I worry?

We realize you may be worried finding this warning on our products, but we want to reassure you that the hazardous exposure limits for any of these chemicals have never been found on furniture products that we've shipped to our customers. Additionally, this warning label is very common and can be found on almost every piece of furniture sold in the state of California.

Just How Common Are Proposition 65 Warnings?

Proposition 65 warnings have become so common in California that it is hard to take a trip to local bank, grocery store, or restaurant without finding at least one warning. In fact, even the Disney Land Resort has a Proposition 65 warning:

