
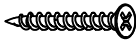

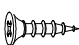
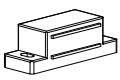



L	x 1
	
M4x14mm	

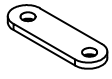
A	x 36
	
M3x25mm	

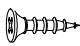
B	x 4
	
ø6x30mm	

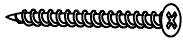
C	x 2
	
M3x12mm	


D	x 1
	


E	x 1
	

F	x 1
	

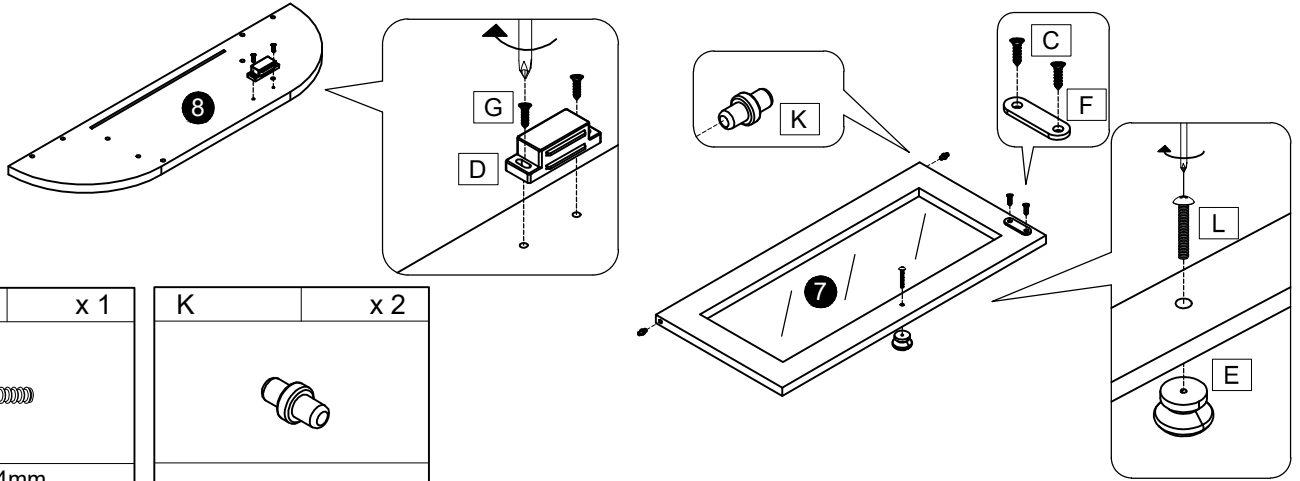
G	x 2
	
M3x14mm	


H	x 2
	
M4x40mm	


J	x 2
	

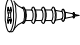
K	x 2
	

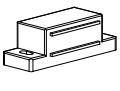
1




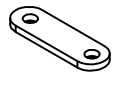
L	x 1
	
M4x14mm	

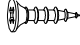
K	x 2
	

C	x 2
	
M3x12mm	

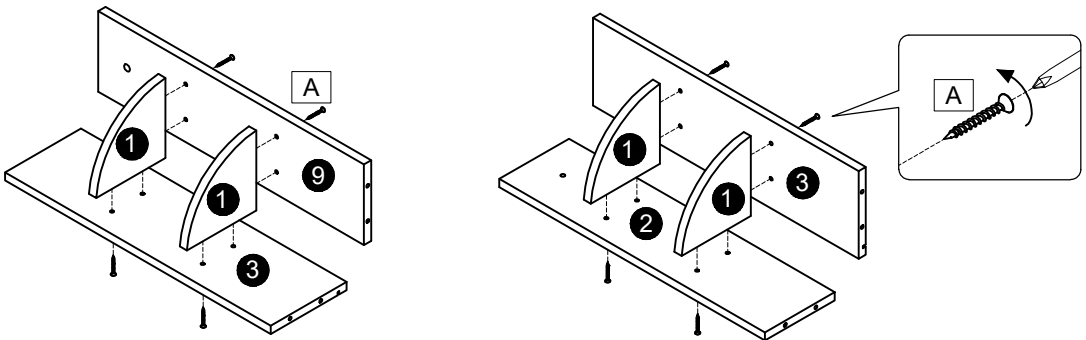
D	x 1
	

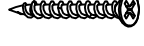
E	x 1
	

F	x 1
	

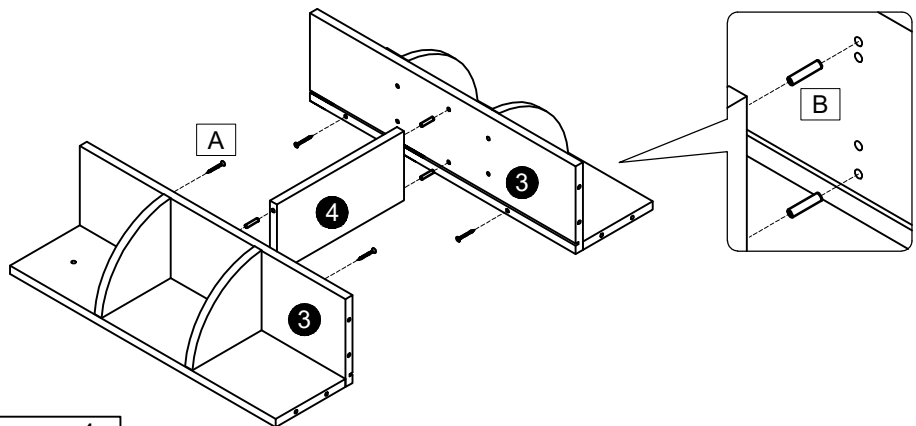
G	x 2
	
M3x14mm	

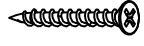
2




A	x 16
	
M3x25mm	

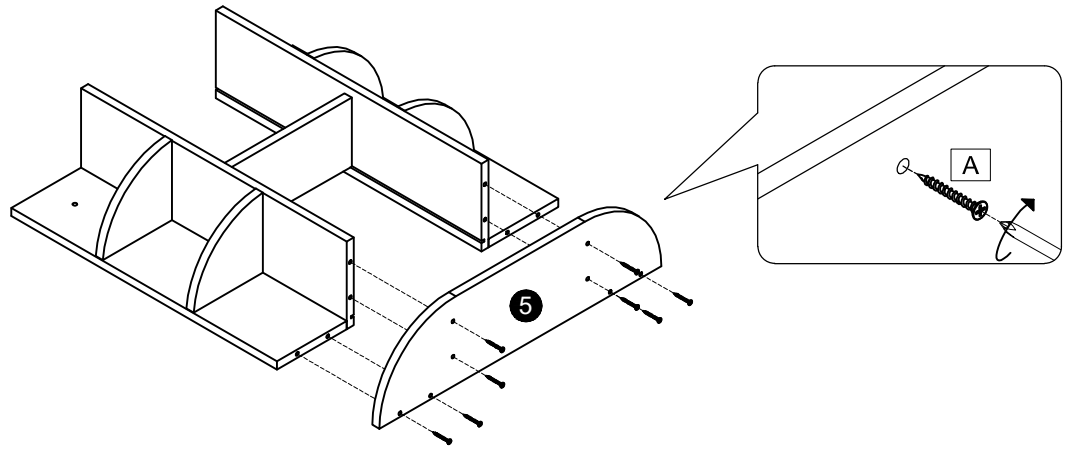
3



A	x 4
	
M3x25mm	

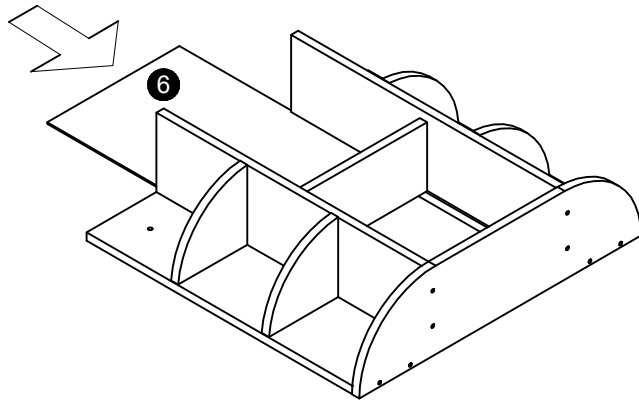
B	x 4
	
ø6x30mm	

4

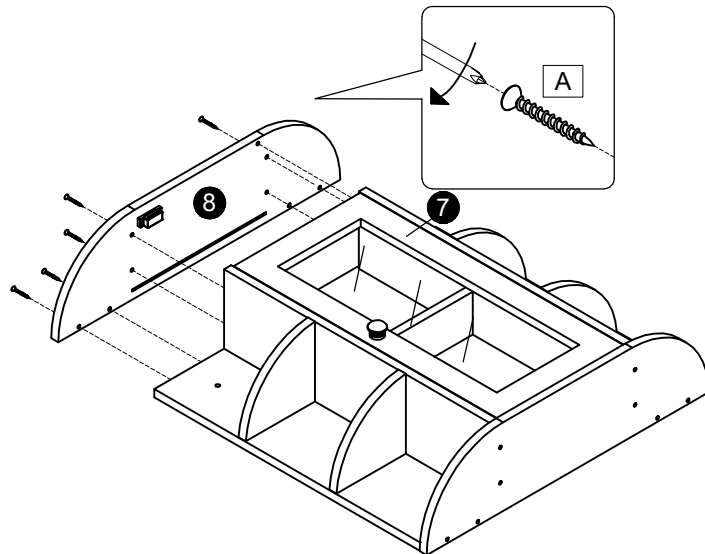


A	x 8
M3x25mm	

5

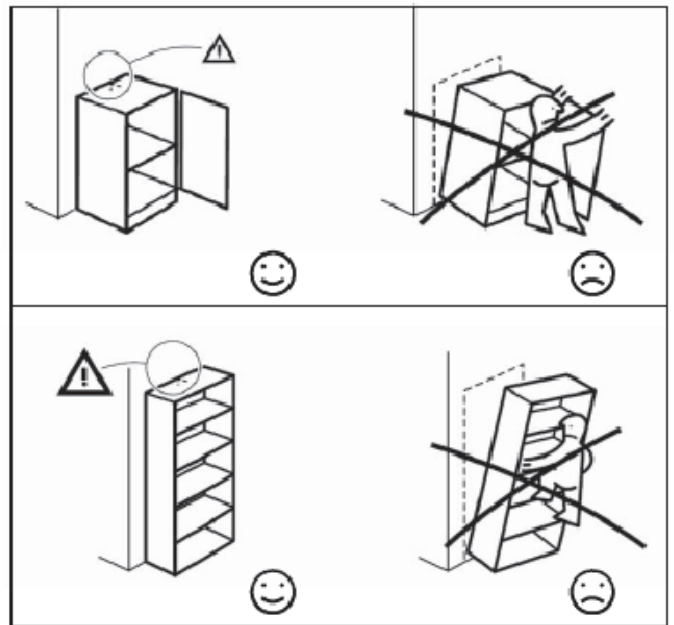
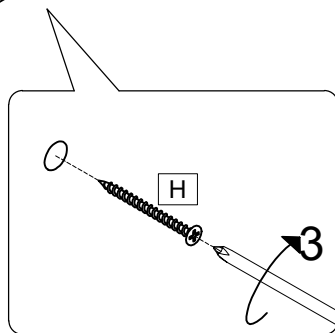
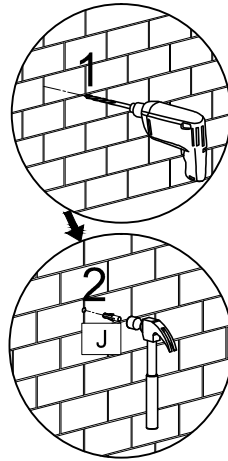
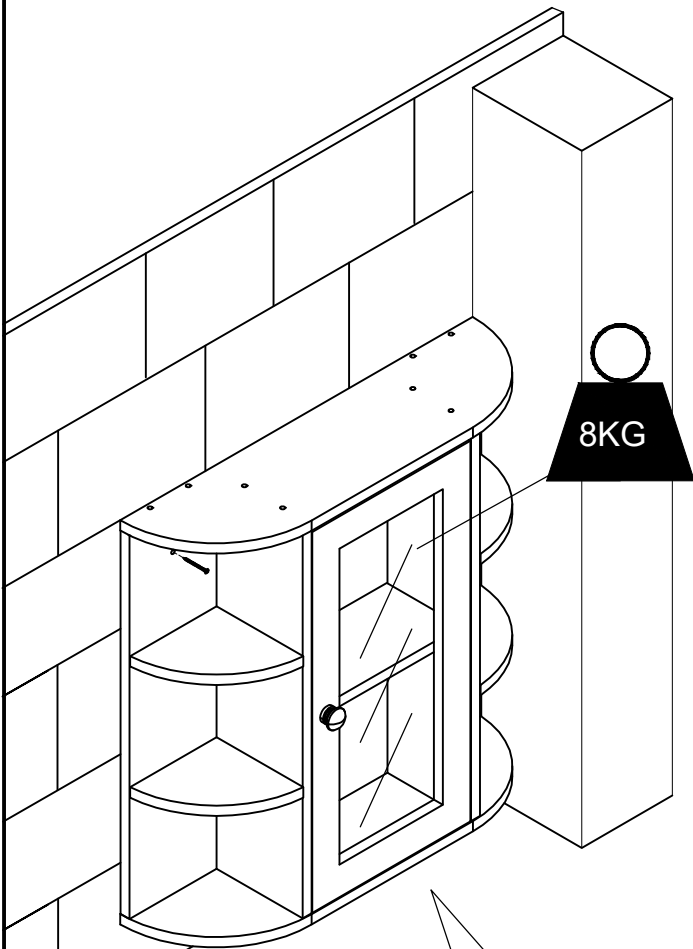



6



A	x 8
M3x25mm	

7



H	x 2
	
M4x40mm	

J	x 2
