

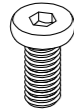
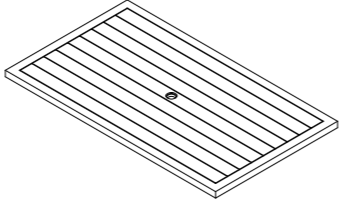


ASSEMBLY INSTRUCTIONS



ASSEMBLY INSTRUCTIONS


Notice:

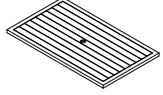
1. Follow the installation instructions. Please confirm all accessories are preset before installation.
2. Do not fully tighten the screws during initial assembly. Fully tighten screws only once all pieces which are correctly assembled.
3. If you encounter any problems during installation, please contact our customer service.


Item no.	Reference Image	Qty.	Item no.	Reference Image	Qty.
A	 M6x12	x16	1		x1
		x1	2		x4

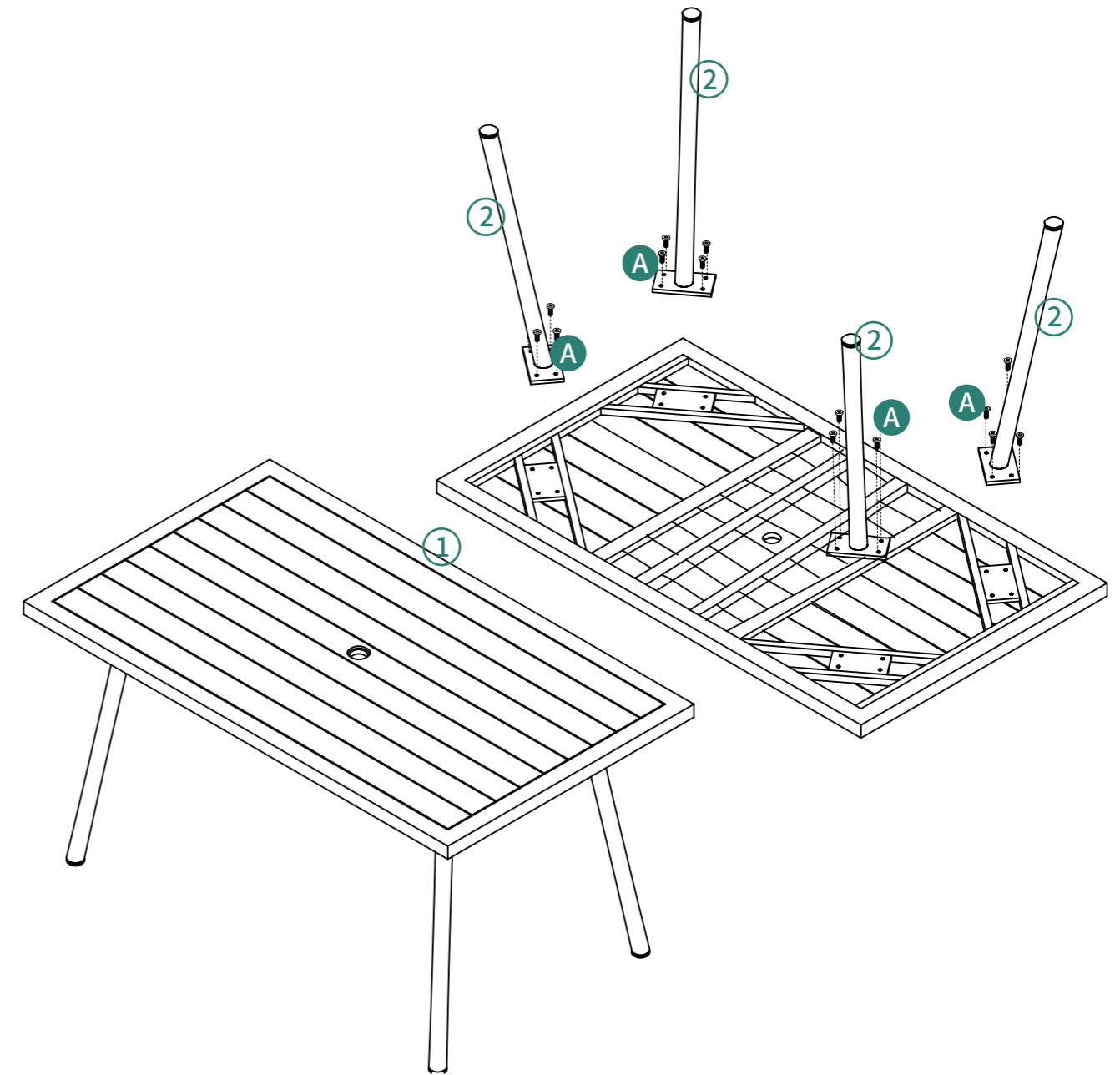
ASSEMBLY INSTRUCTIONS

1


A 16pcs


1 1pc


2 4pcs



Installation Completed