


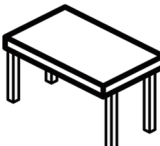



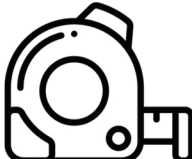


Installation Instructions

- i Recommended to wear gloves to avoid scratches. Please read the instructions **COMPLETELY** before assembly.

After opening the package, if you notice a slight deformation in the wall panels, there's no need for concern. Our material is flexible and can be manually bent back into place.

REQUIRED TOOLS

Tools			
	Gloves	Table	Ladder
			
	Power drill	Screw driver	Tape Measure

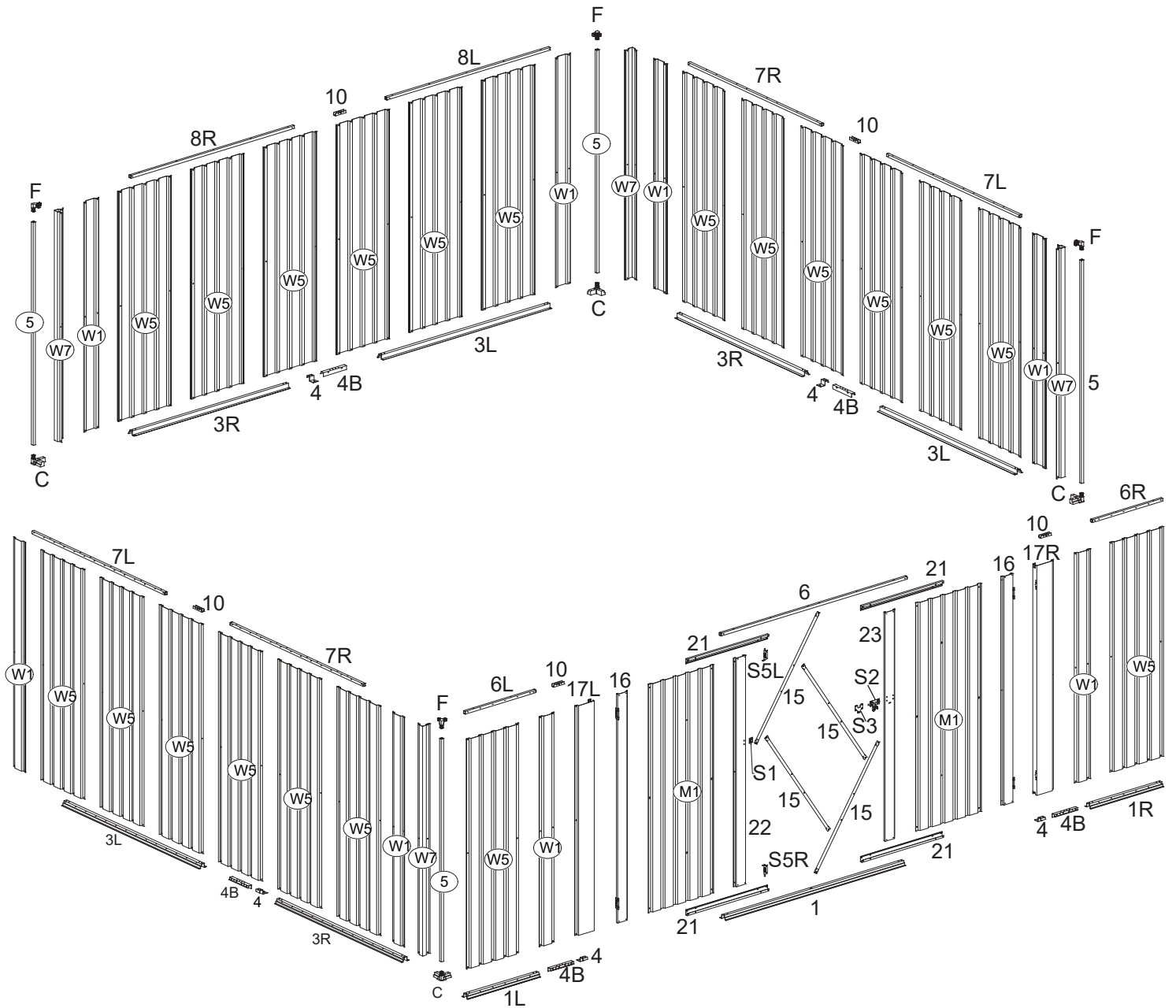
ASSEMBLY TIPS

1. Clear a working area to allow access on all four sides. A raised work surface will make assembly easier. It is easier to install the wall panel on the table.
2. All parts are identified, so when working through the instructions page by page, the diagrams show where each part is positioned.
3. Before starting, to avoid any accidental injury, we recommend the use of gloves to protect your hands.
4. Please keep children away from your construction site.
5. Most assembly can be completed by one person, but assistance may be needed when you reach the erection stage.
6. Please note: Some local government authorities have rules & regulations on shed installation, and you may need approval to erect this shed.

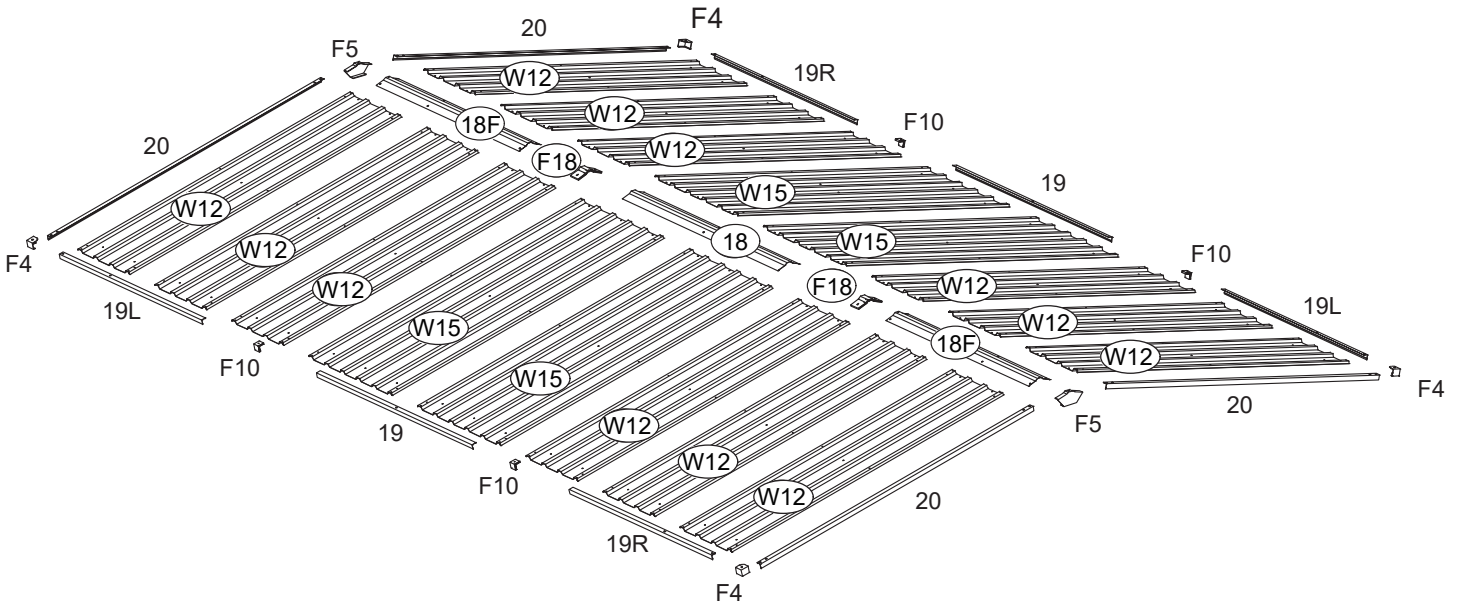
ASSEMBLY STEPS

1. Unpack all components from the carton and lay them out beside your work area. Check parts against the parts list.
2. Work through the assembly instructions page by page.
3. Once assembly is completed, place the shed in position and fix the anchor to the ground.
4. Clean up all metal pieces and screws.

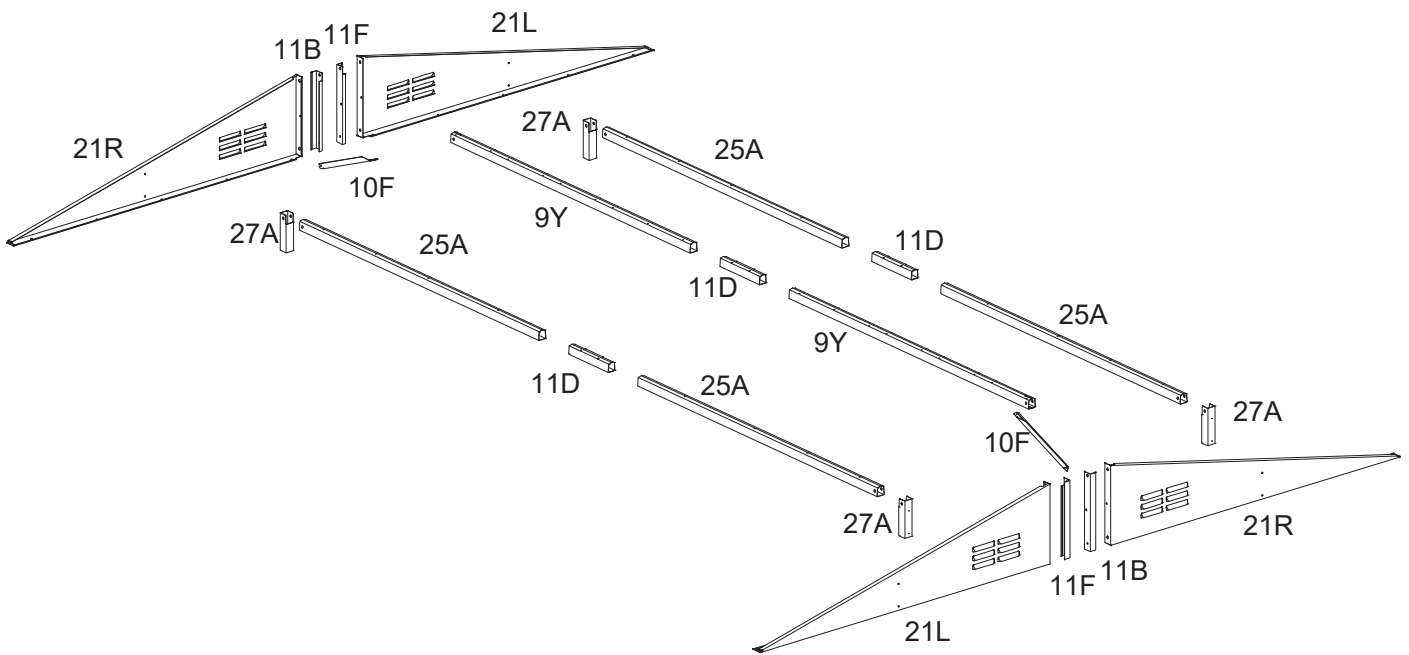
Door and Shed base

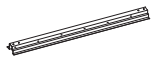
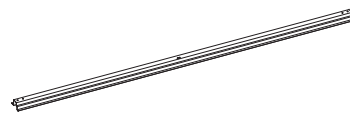
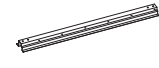
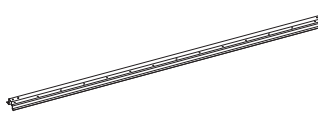
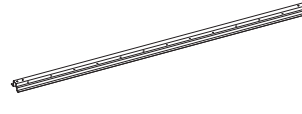
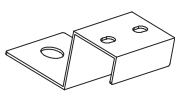
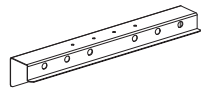
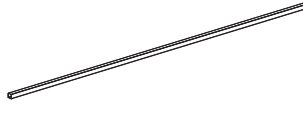
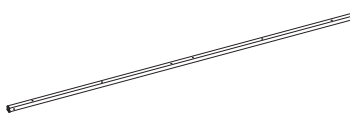


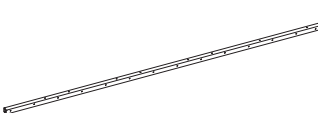
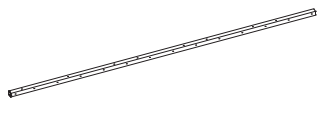
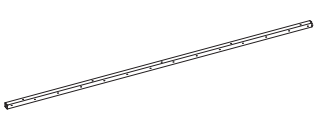


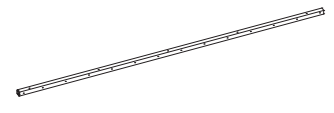

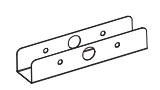
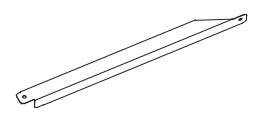
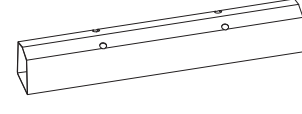
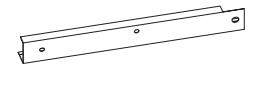
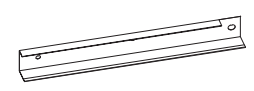
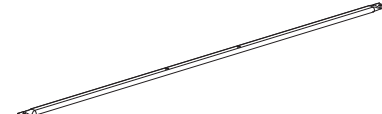

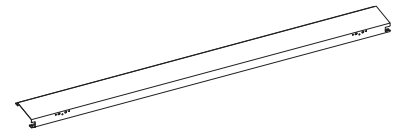
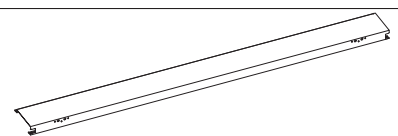
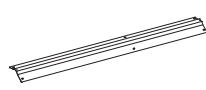
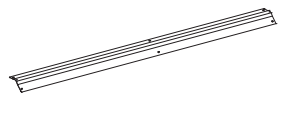
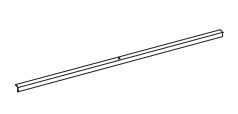
Shed top panels



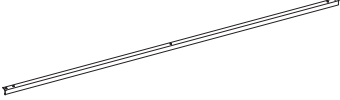

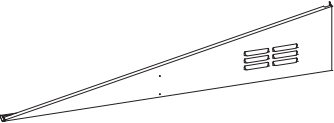
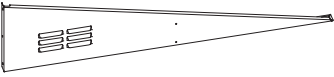
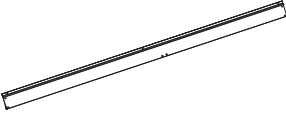
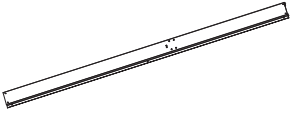

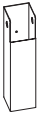




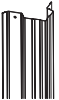

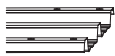



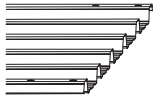

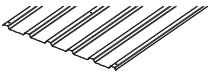

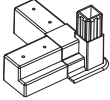

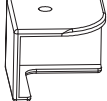
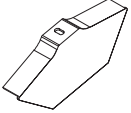

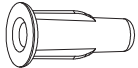

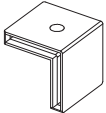
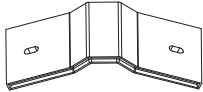
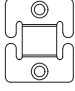
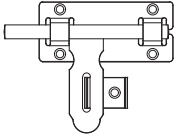
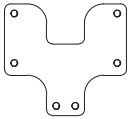
Shed top frame



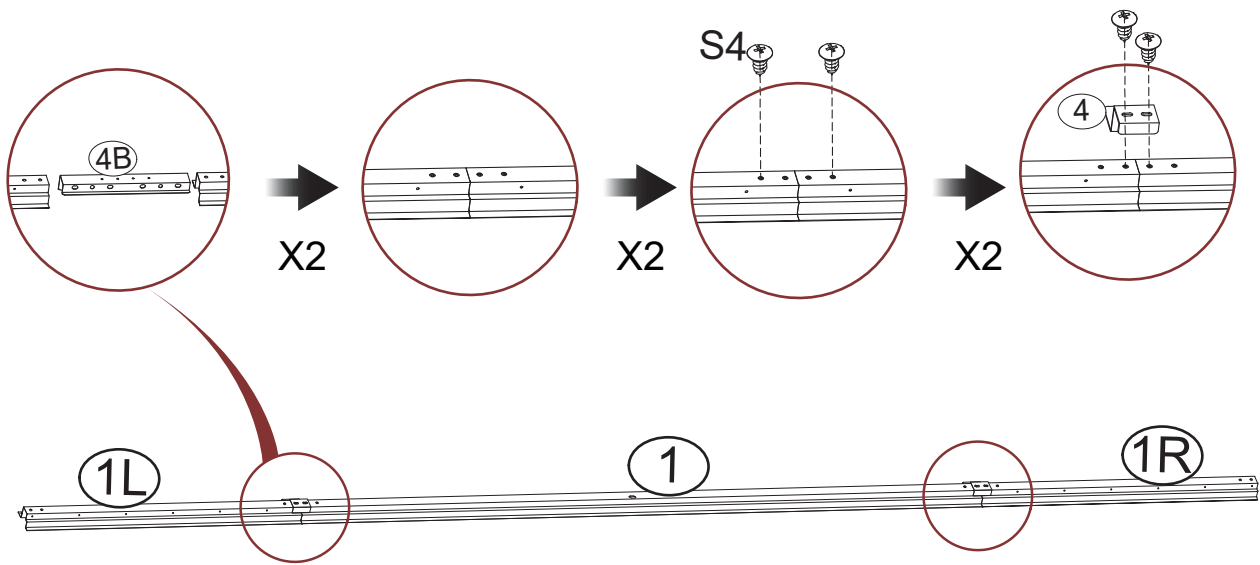
NO.	PART.	Qty.
1L		1
1		1
1R		1
3L		3
3R		3
4		5
4B		5
5		4
6		1
6L		1
6R		1
7L		2
7R		2
8L		1

NO.	PART.	Qty.
8R		1
9Y		2
10		5
10F		2
11D		3
11B		2
11F		2
15		4
16		2
17L		1
17R		1
18F		2
18		1
19		2

NO.	PART.	Qty.
19L		2
19R		2
20		4
21		4
21L		2
21R		2
22		1
23		1
25A		4
27A		4
W1	 	8
W5	 	20
W7	 	4
W12	 	12

NO.	PART.	Qty.
W15	 	4
M1	 	2
C		4
F		4
F4		4
F5		2
F7		176
F8		36
F9		2
F10		4
F18		2
S1		1
S2		1
S3		1

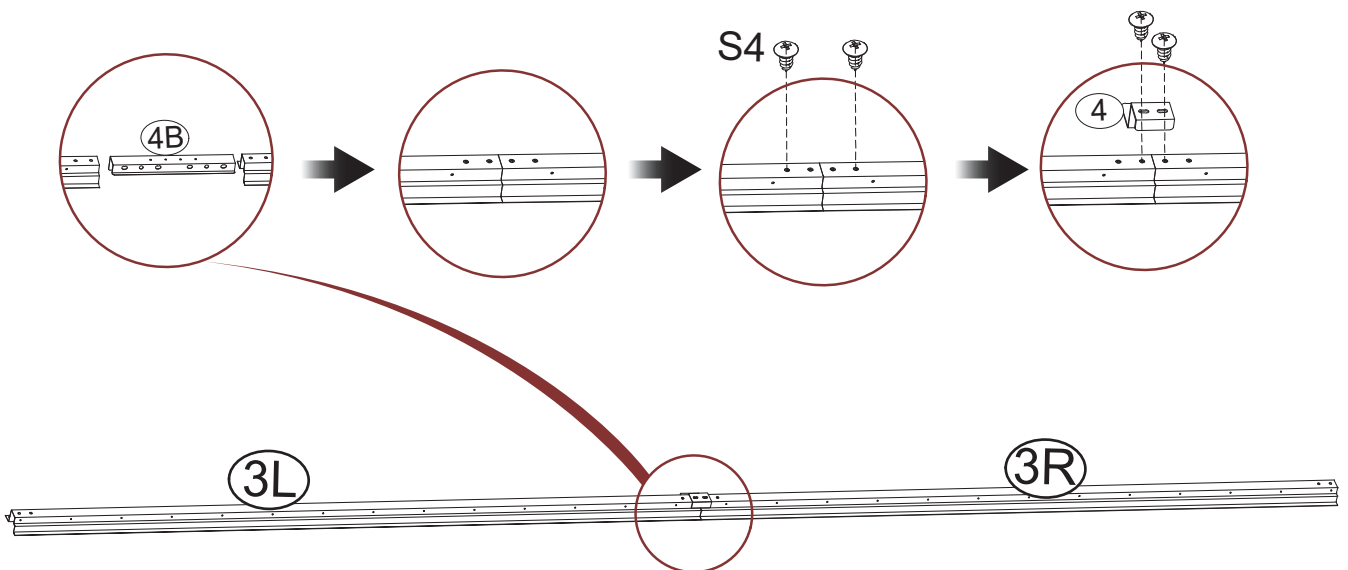
STEP 1




	S4	8
---	----	---

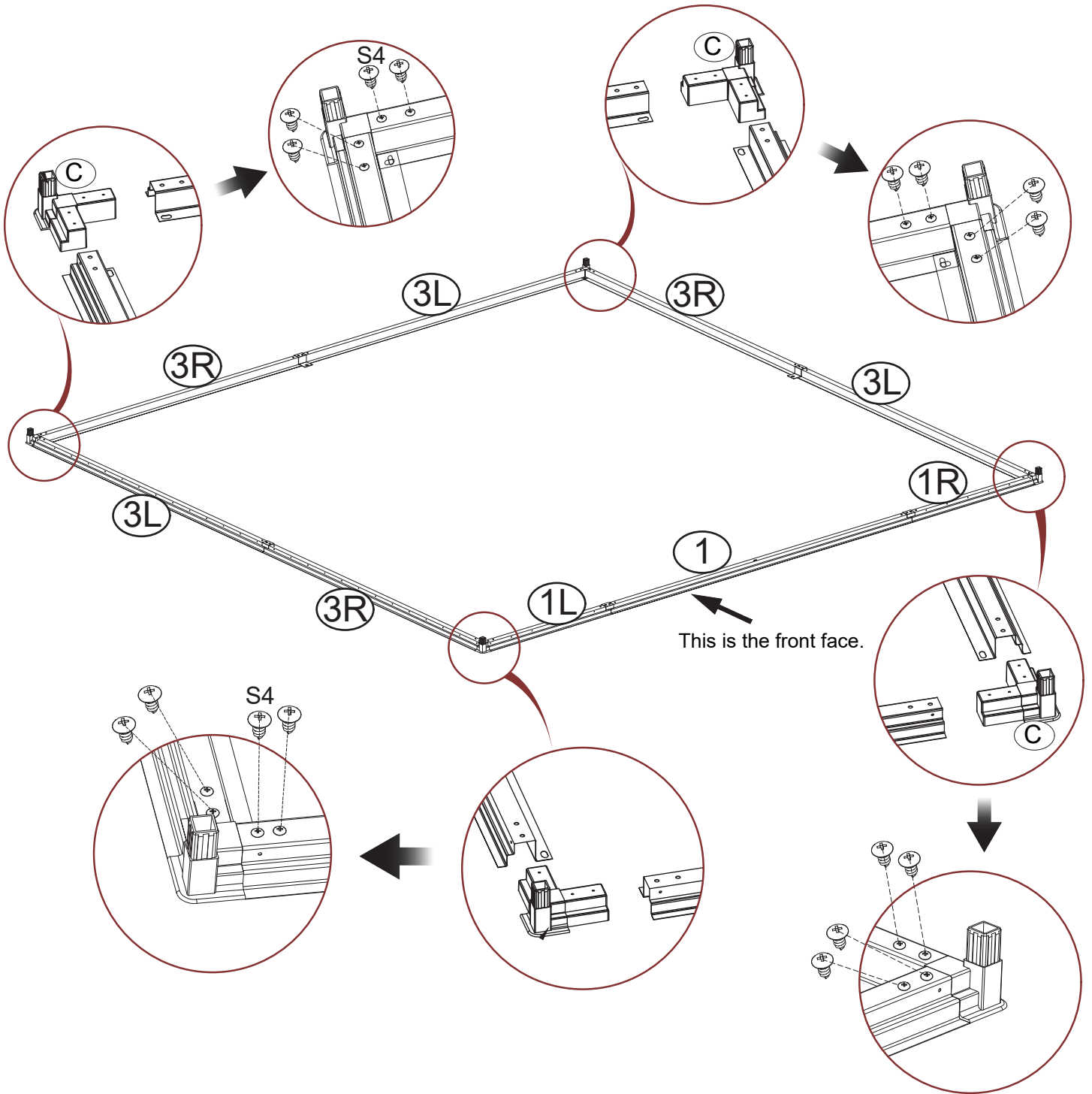
STEP 2


X3



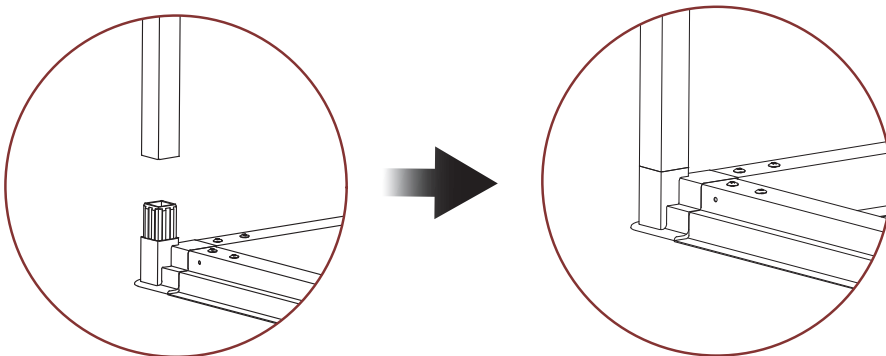
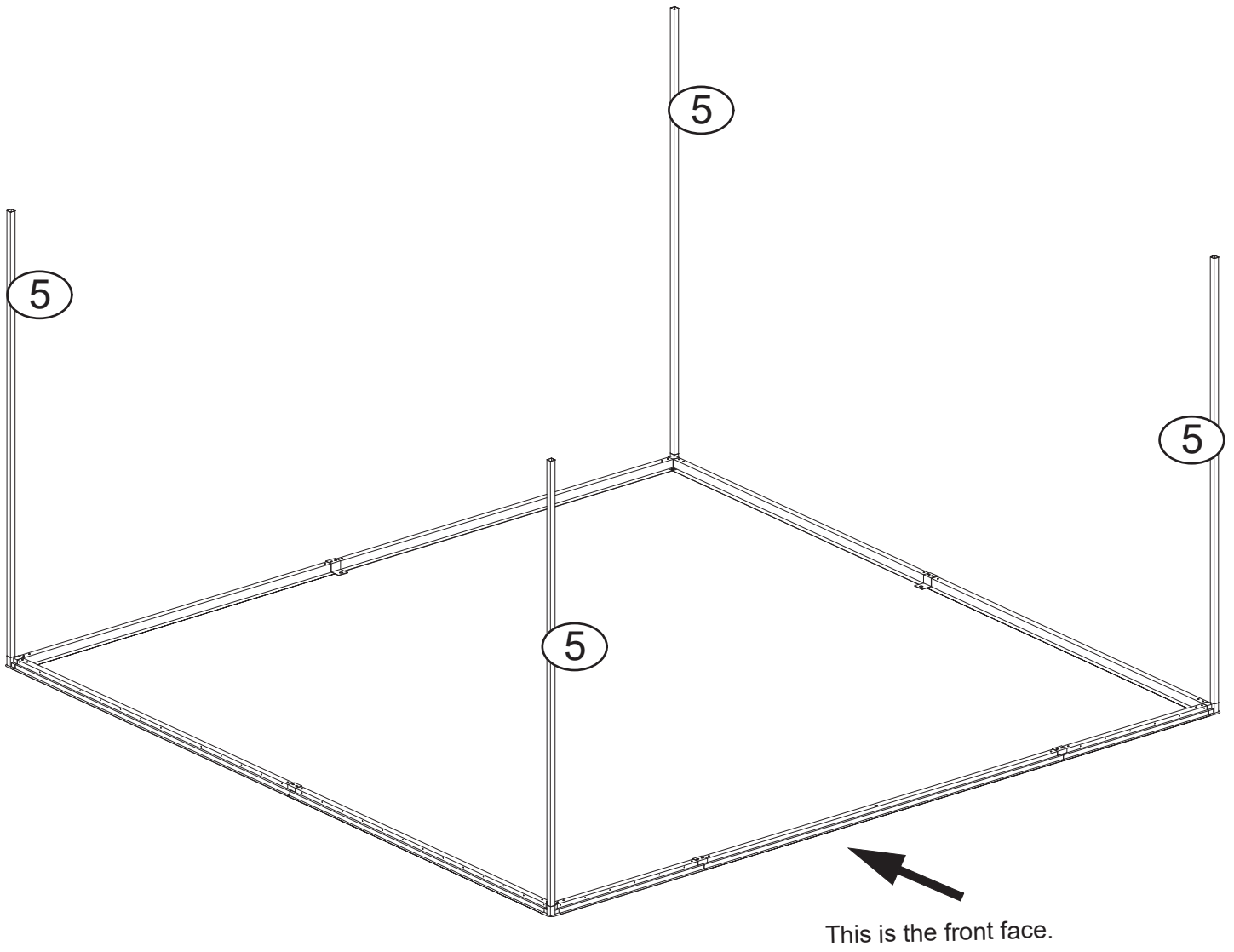
	S4	12
---	----	----

STEP 3

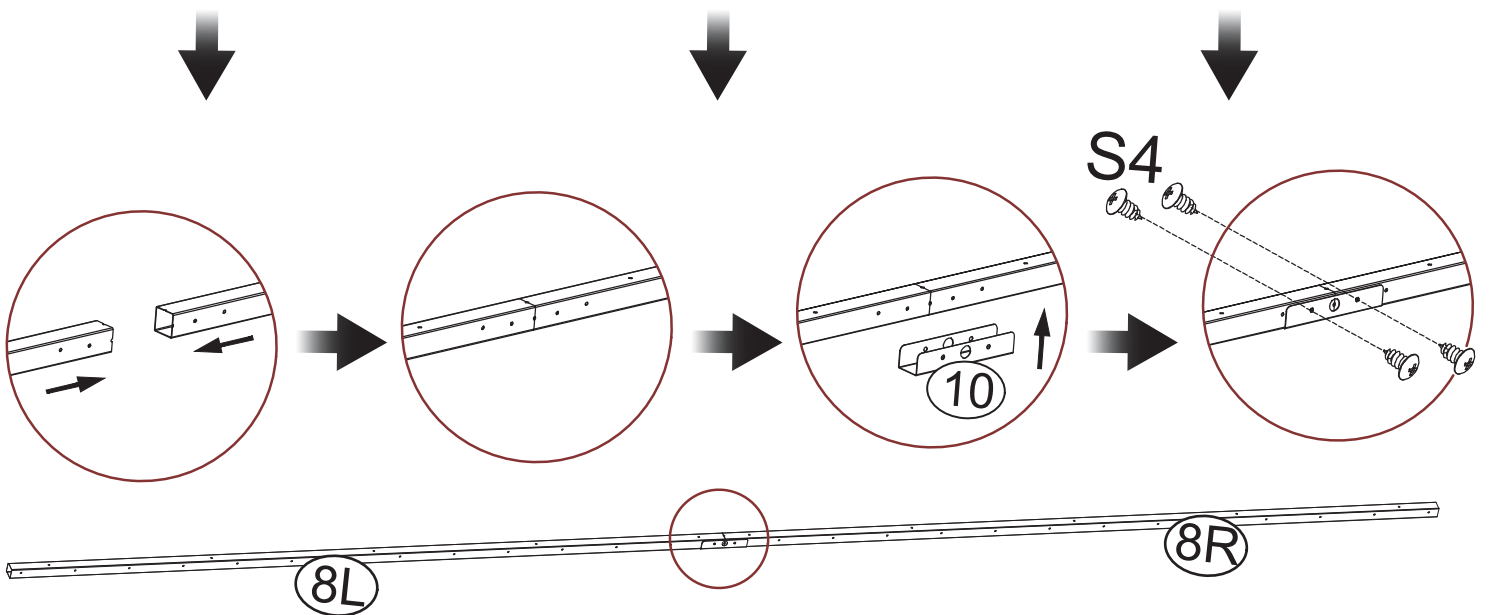
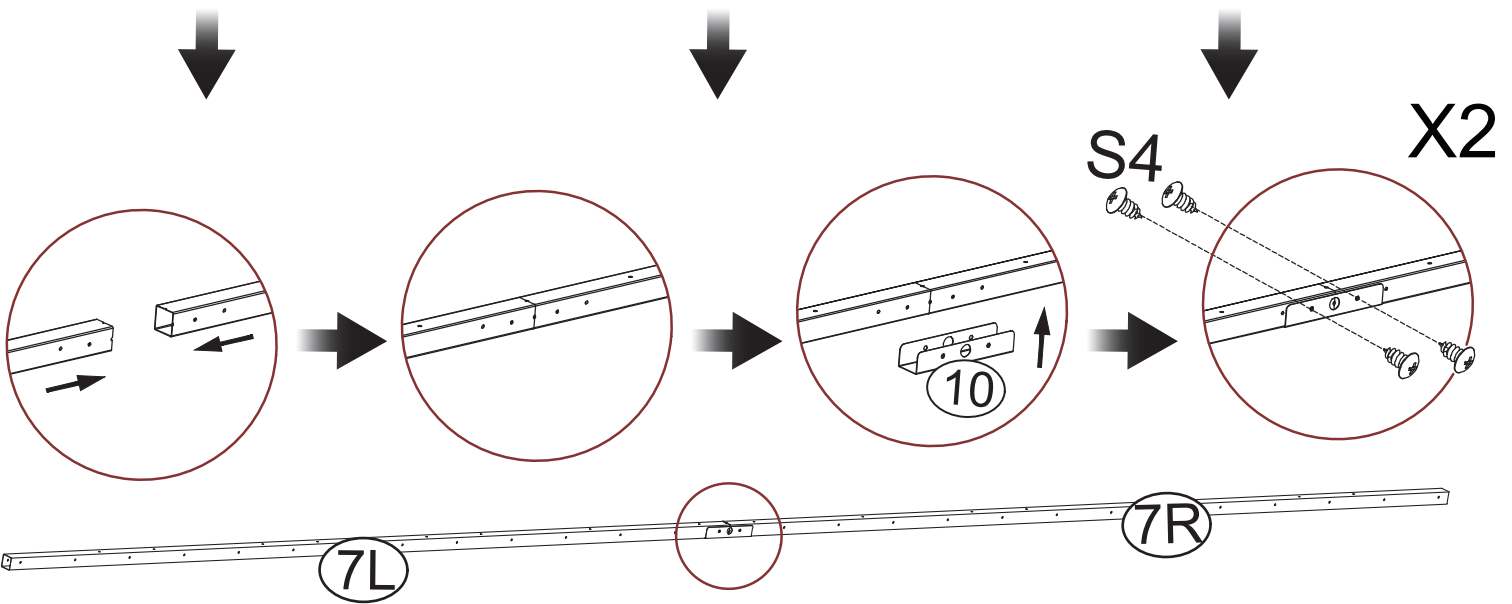
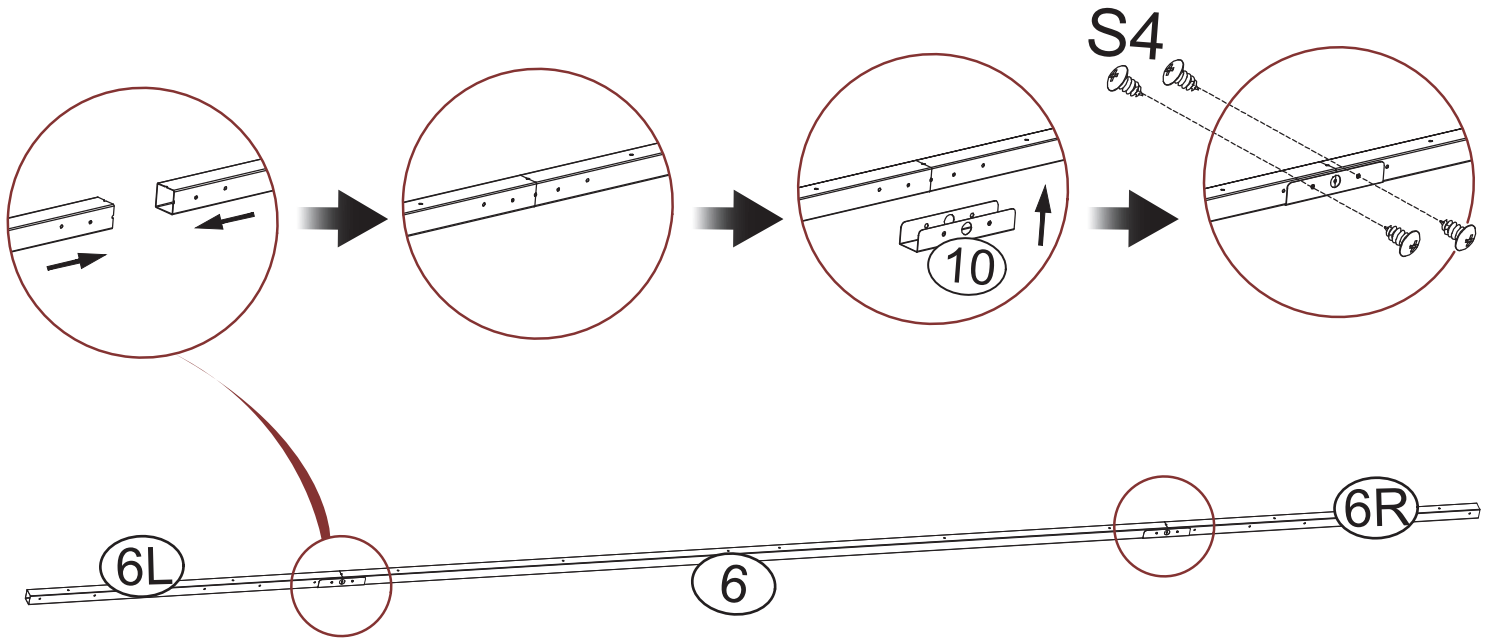



	S4	16
---	----	----

STEP 4

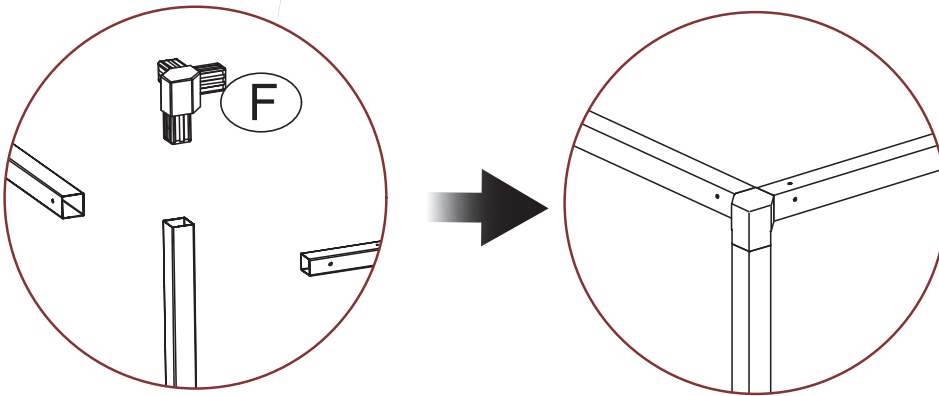
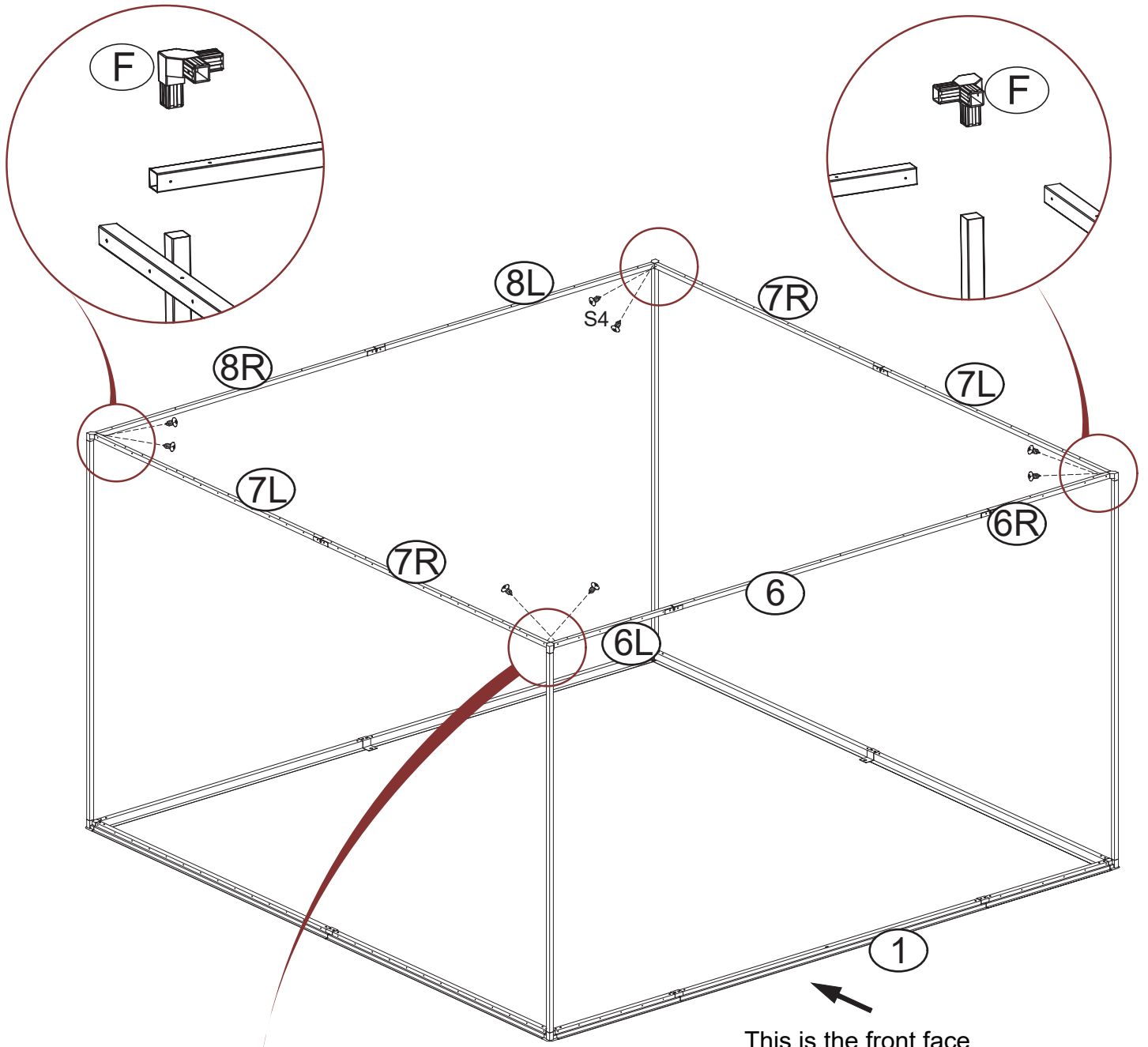


STEP 5



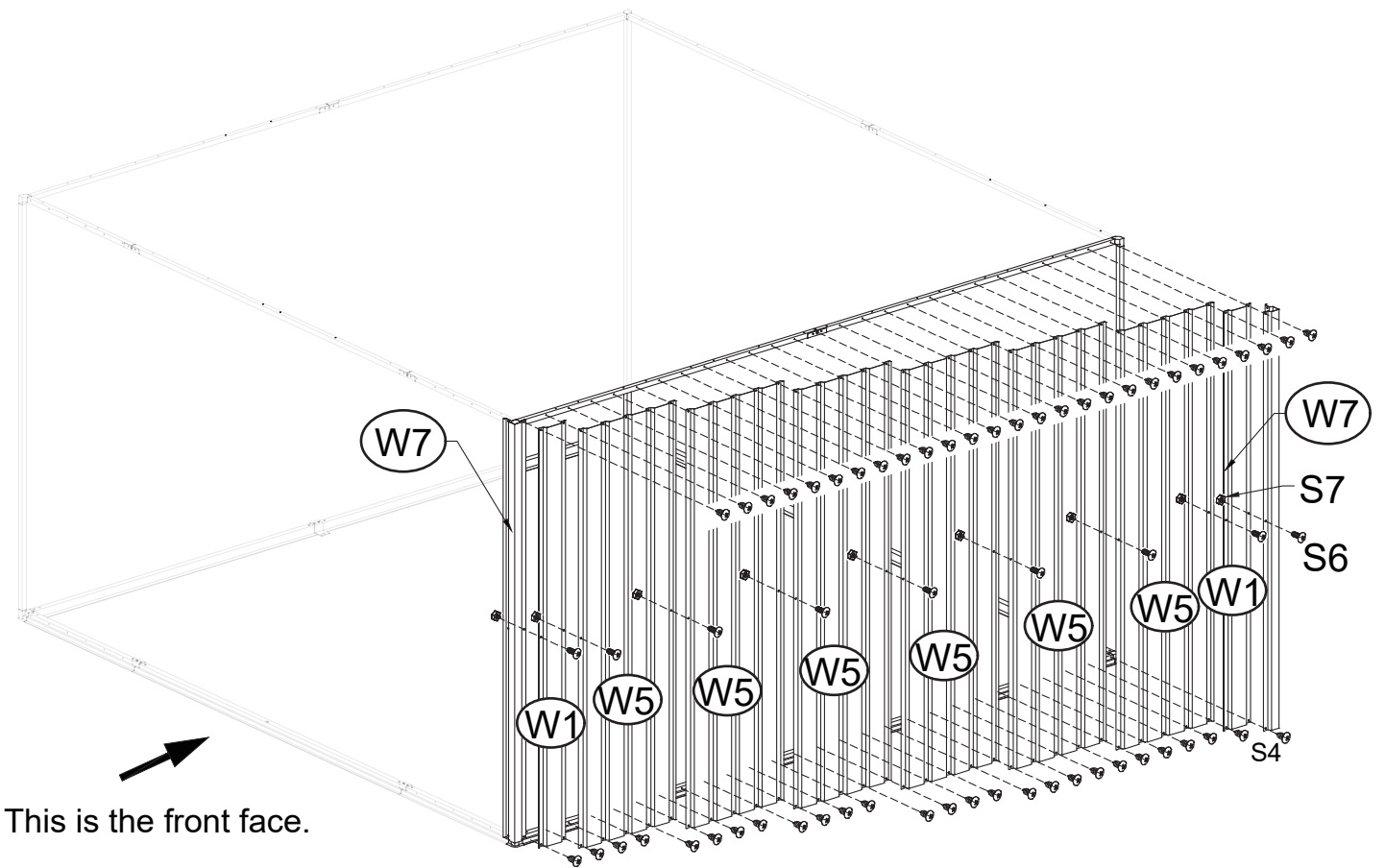
	S4	20
---	----	----




STEP 6



	S4	8
---	----	---

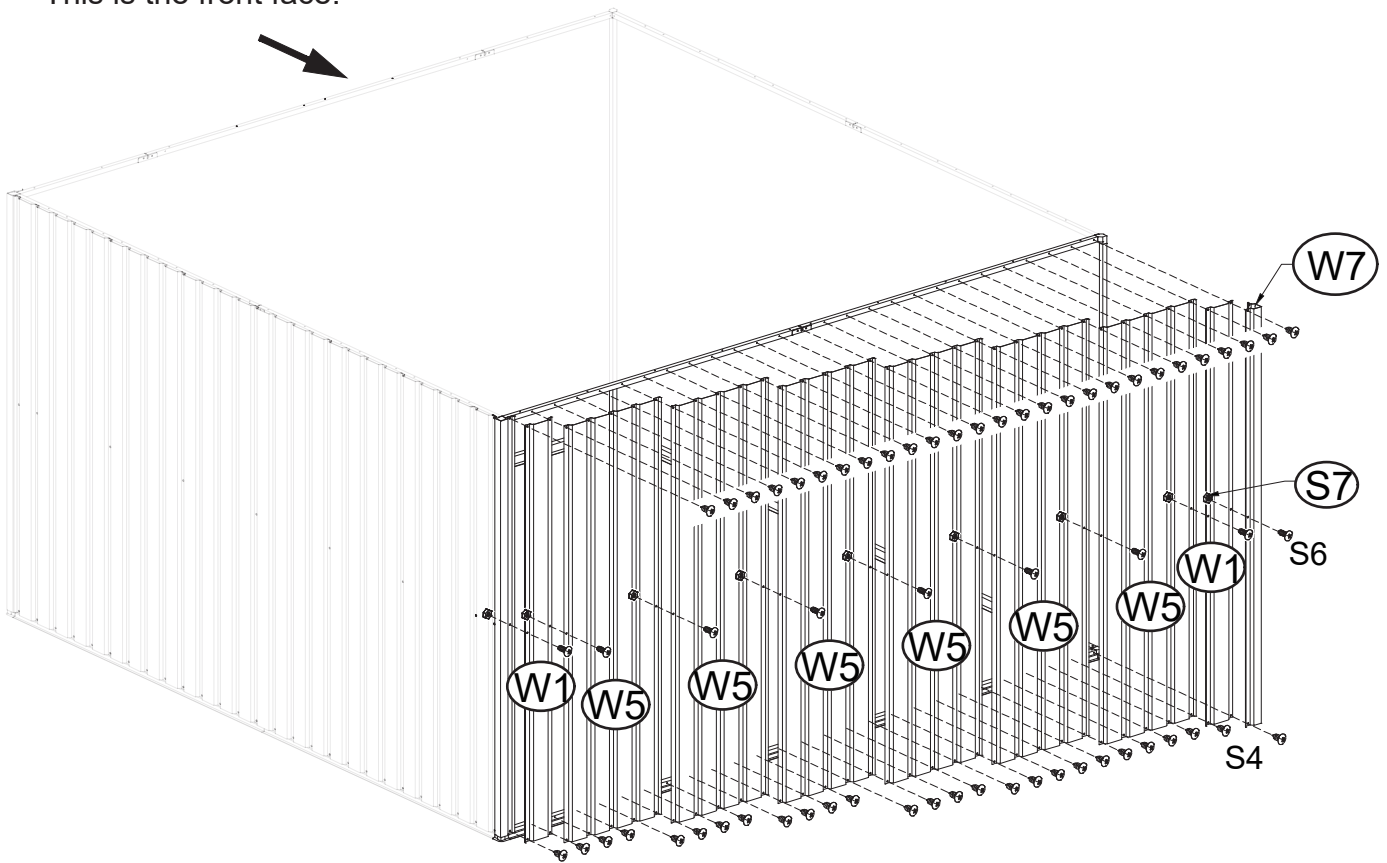
STEP 7






	S4	54
	S6	9
	S7	9

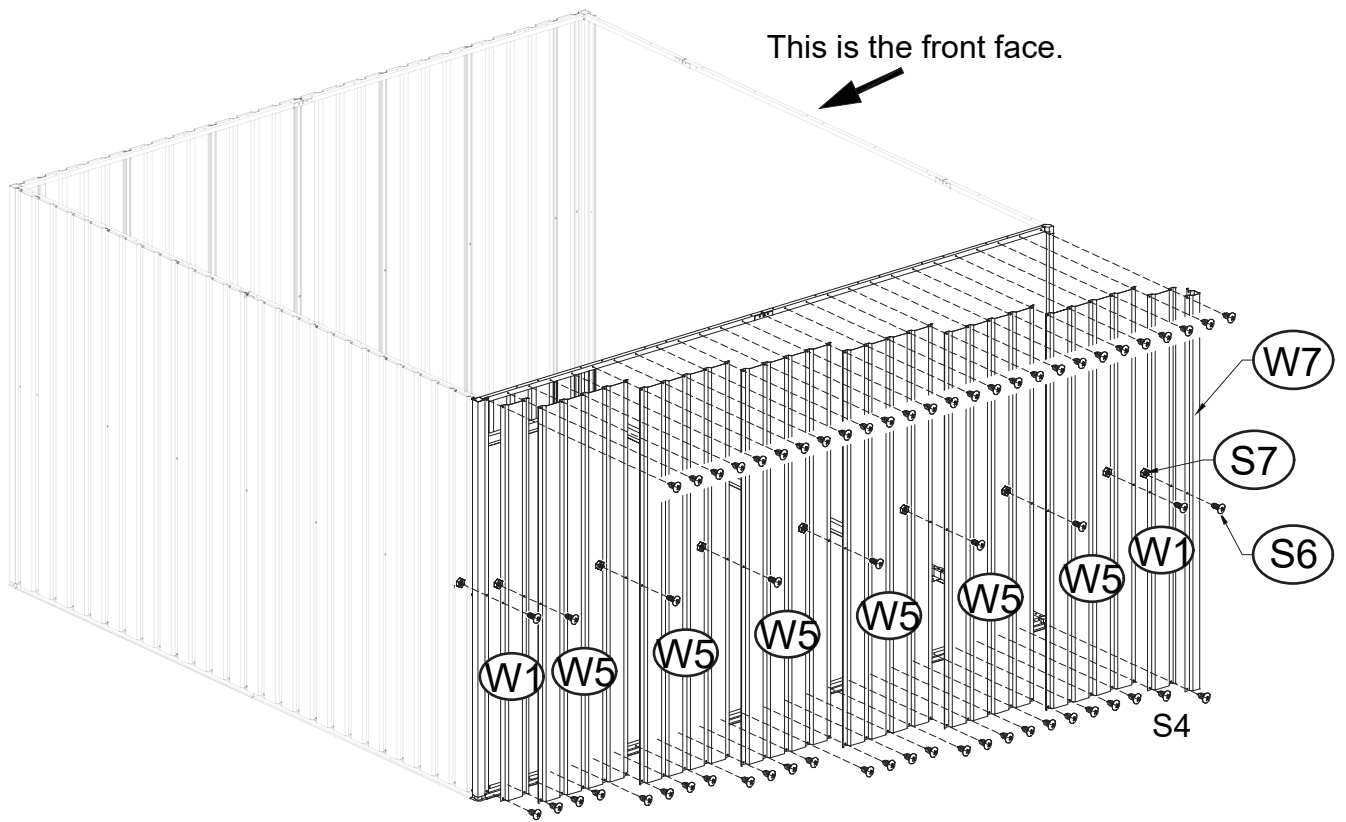
STEP 8




This is the front face.



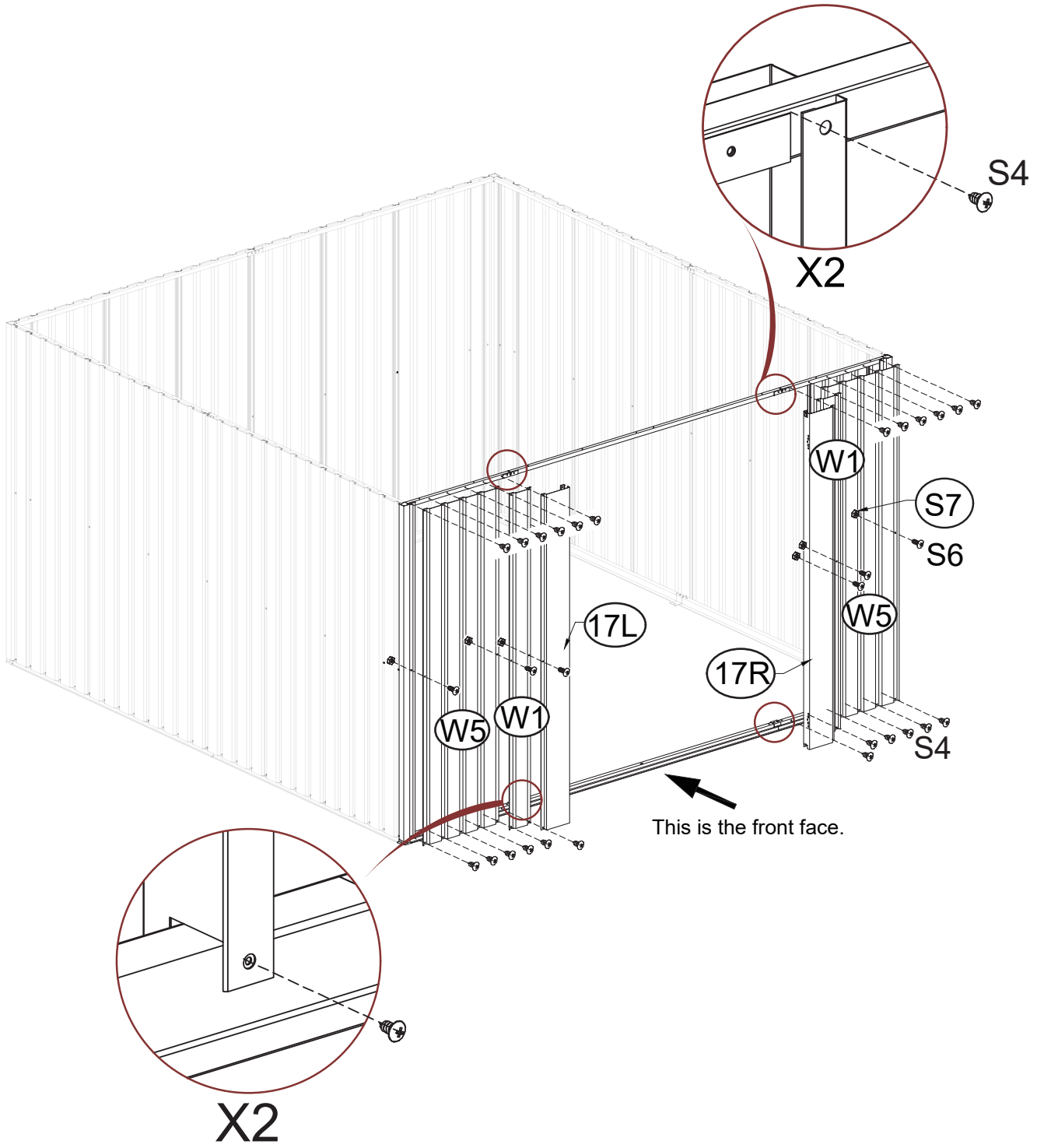
	S4	54
	S6	9
	S7	9




STEP 9



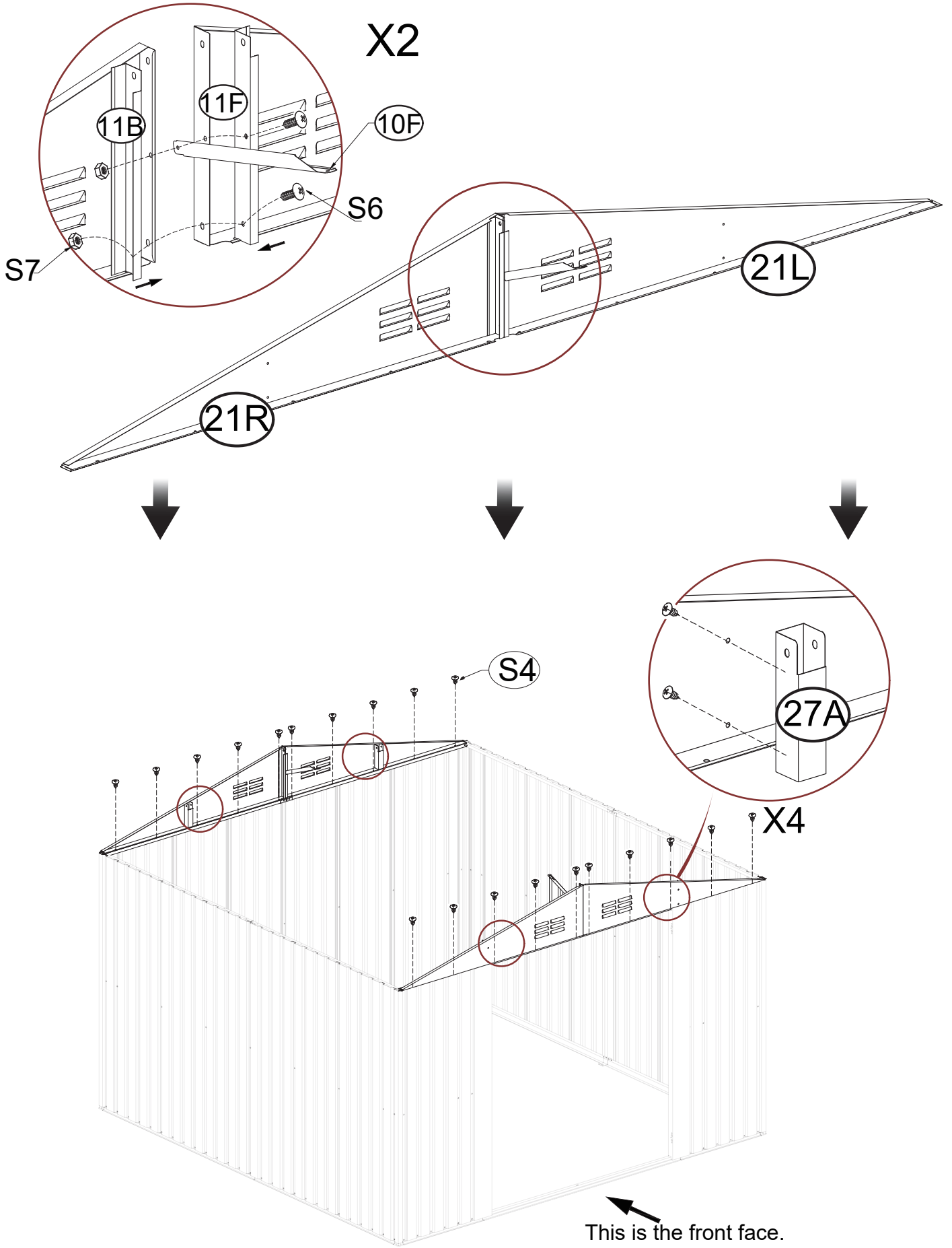
	S4	54
	S6	9
	S7	9




STEP 10



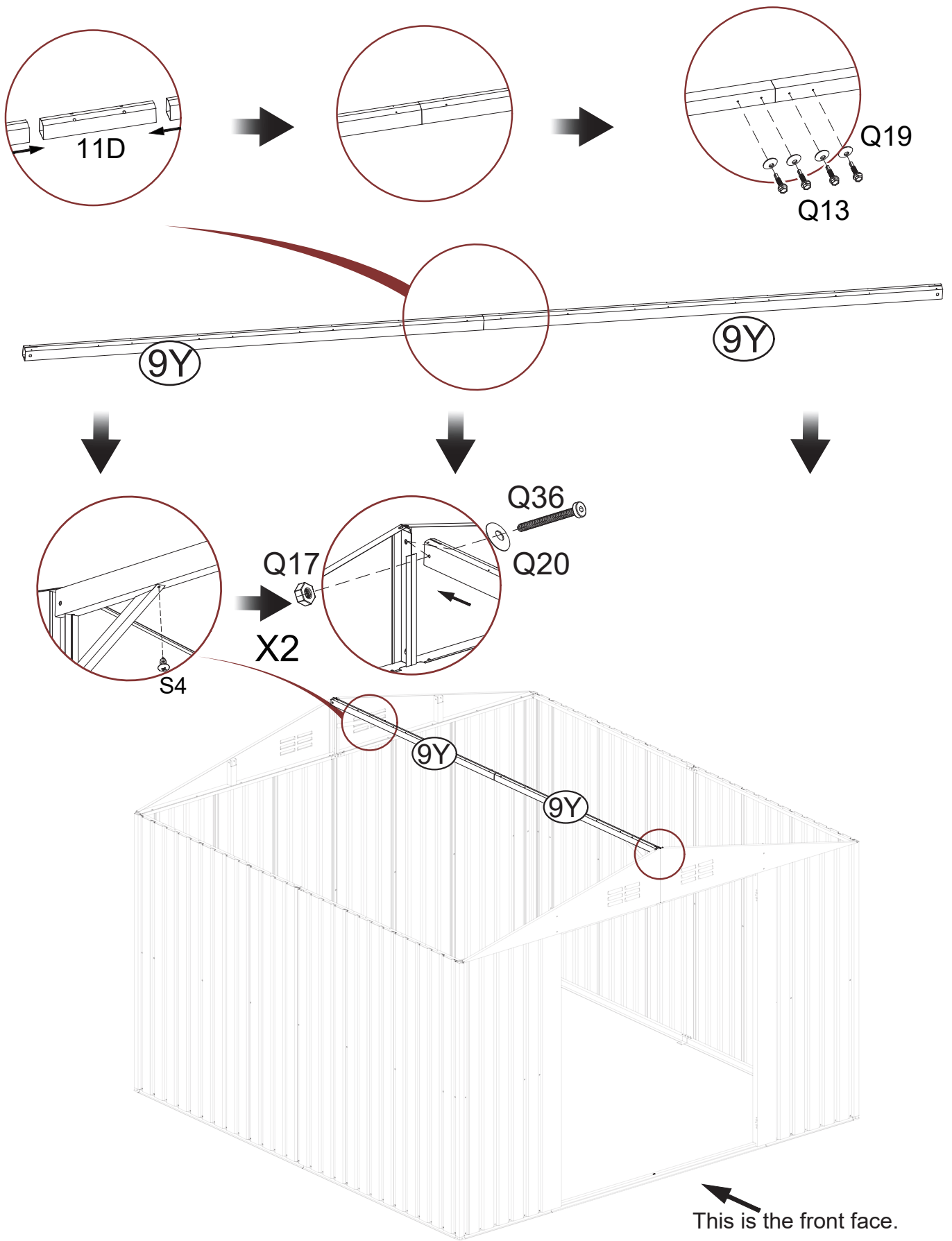
	S4	28
	S6	6
	S7	6







STEP 11

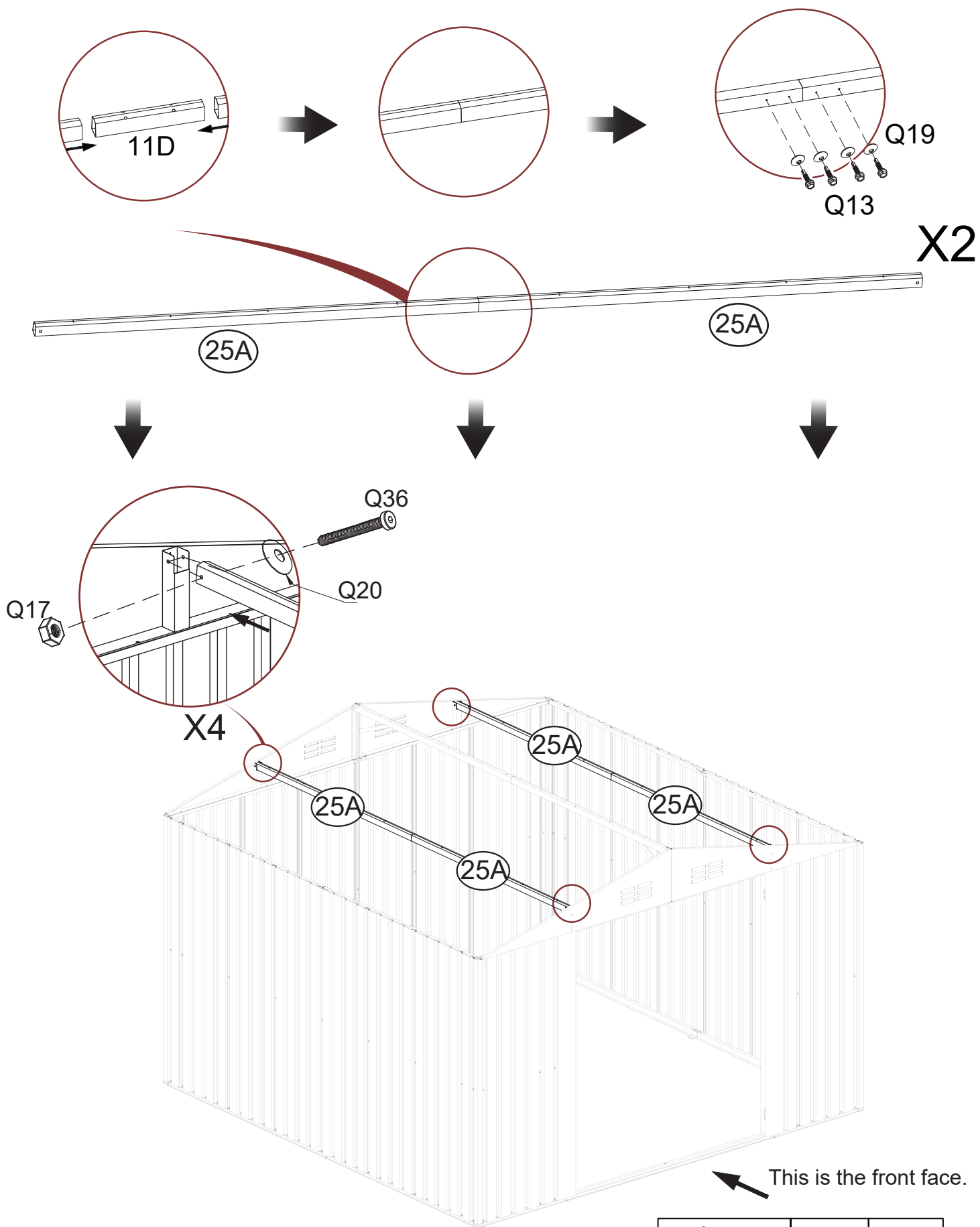


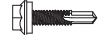




	S4	28
	S6	4
	S7	4

STEP 12



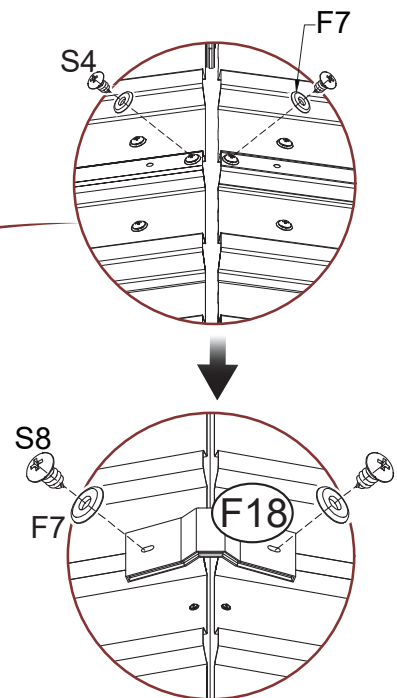
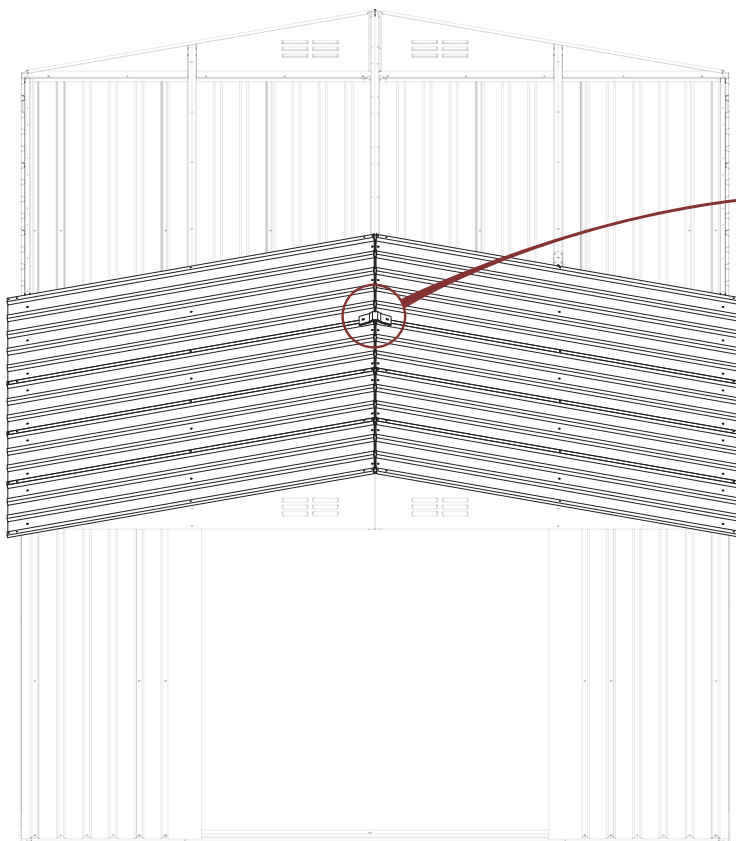
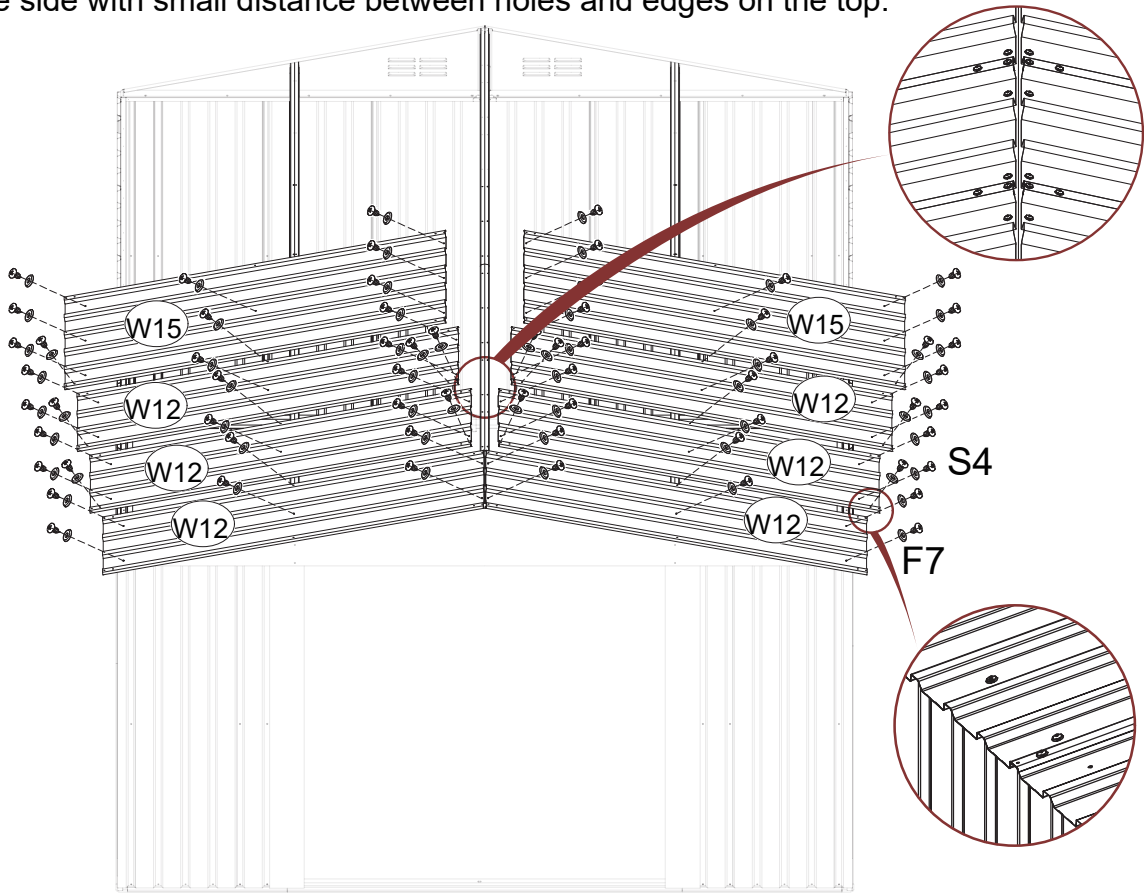
	Q19	4		Q13	4
	Q36	2		Q20	2
	Q17	2		S4	2

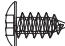




				Q13	8
	Q19	8		Q36	4
	Q20	4		Q17	4

STEP 14

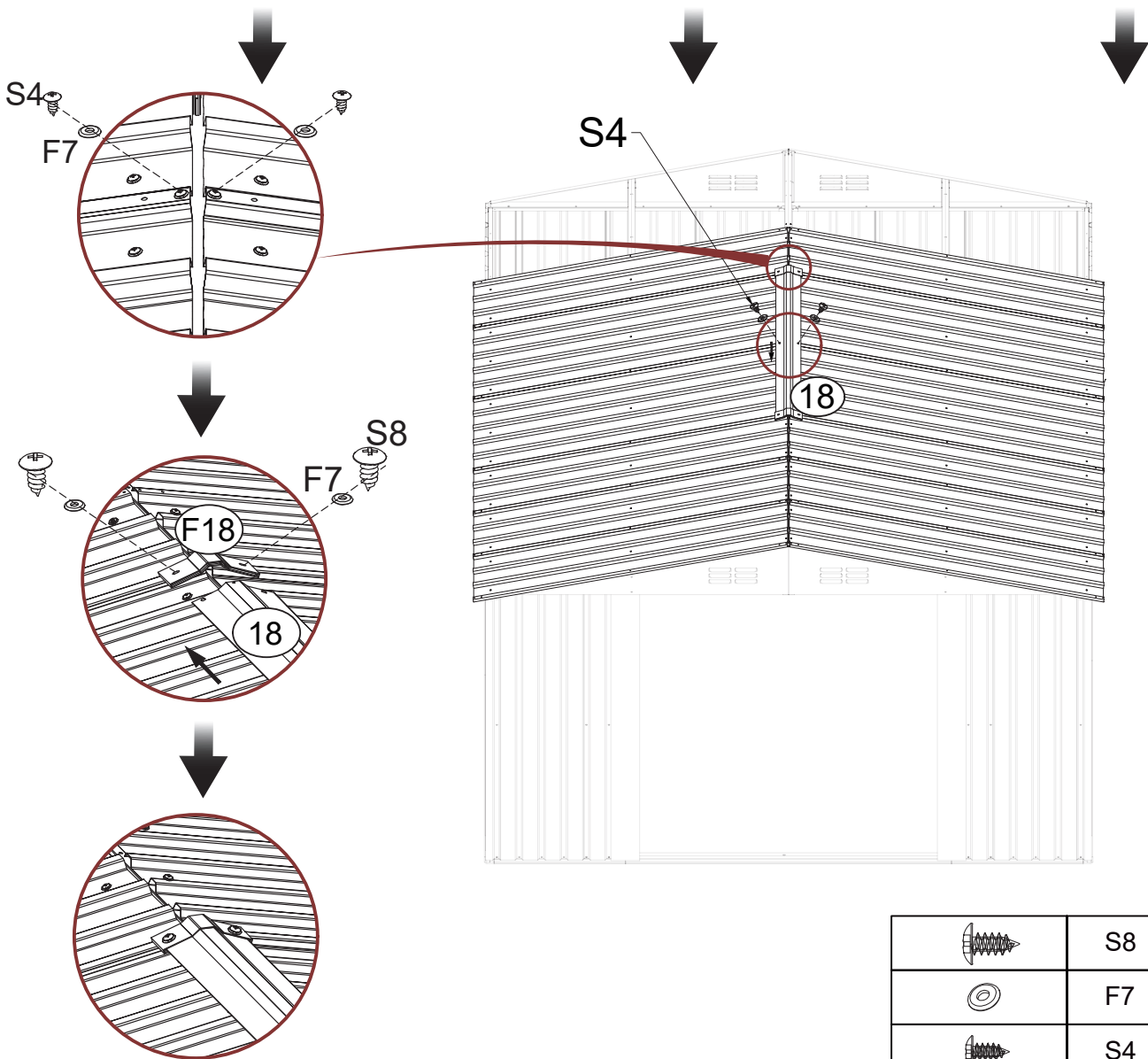
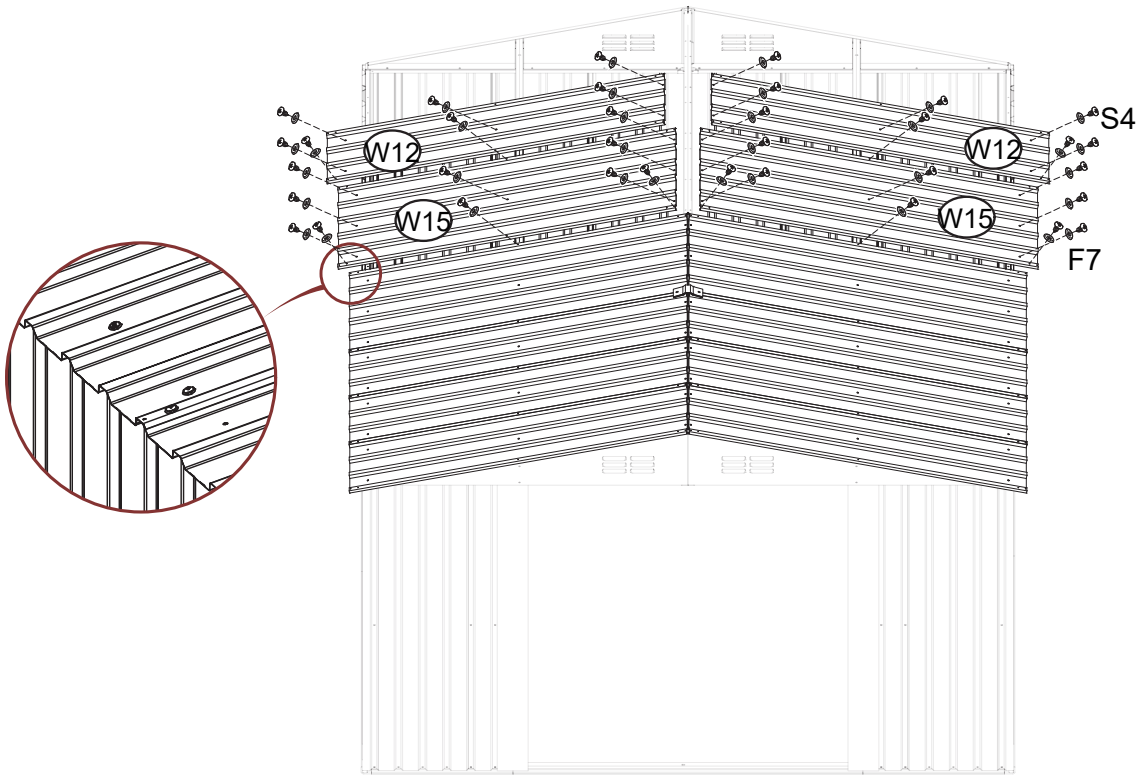
Place the side with small distance between holes and edges on the top.



	S8	2
	F7	66
	S4	64

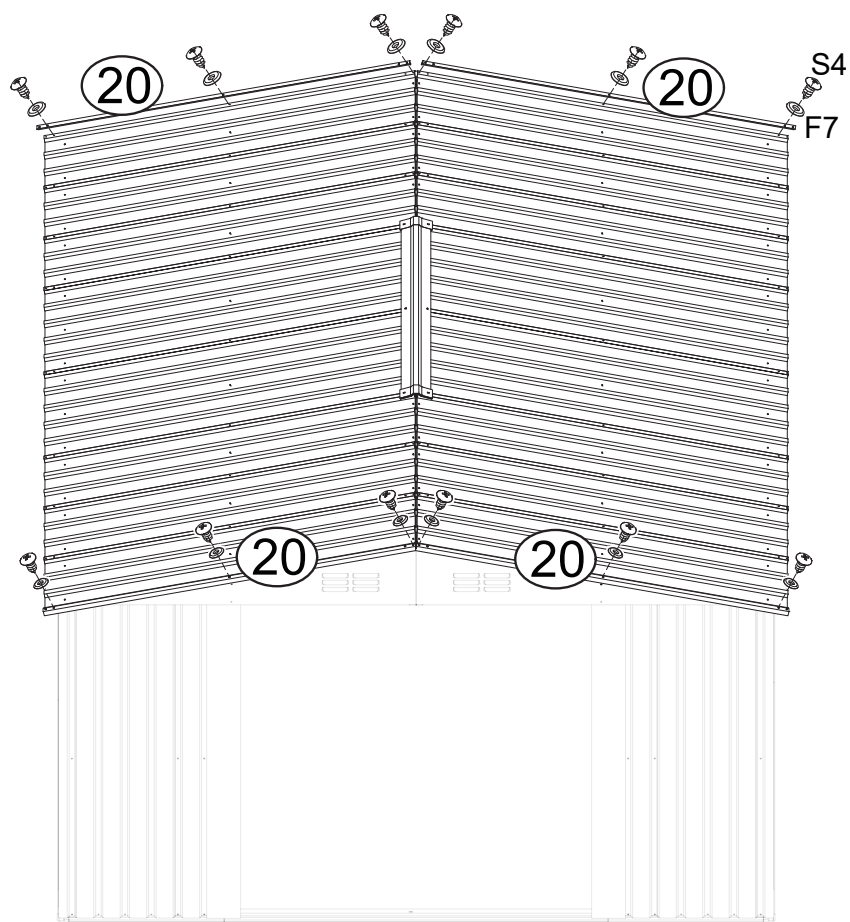
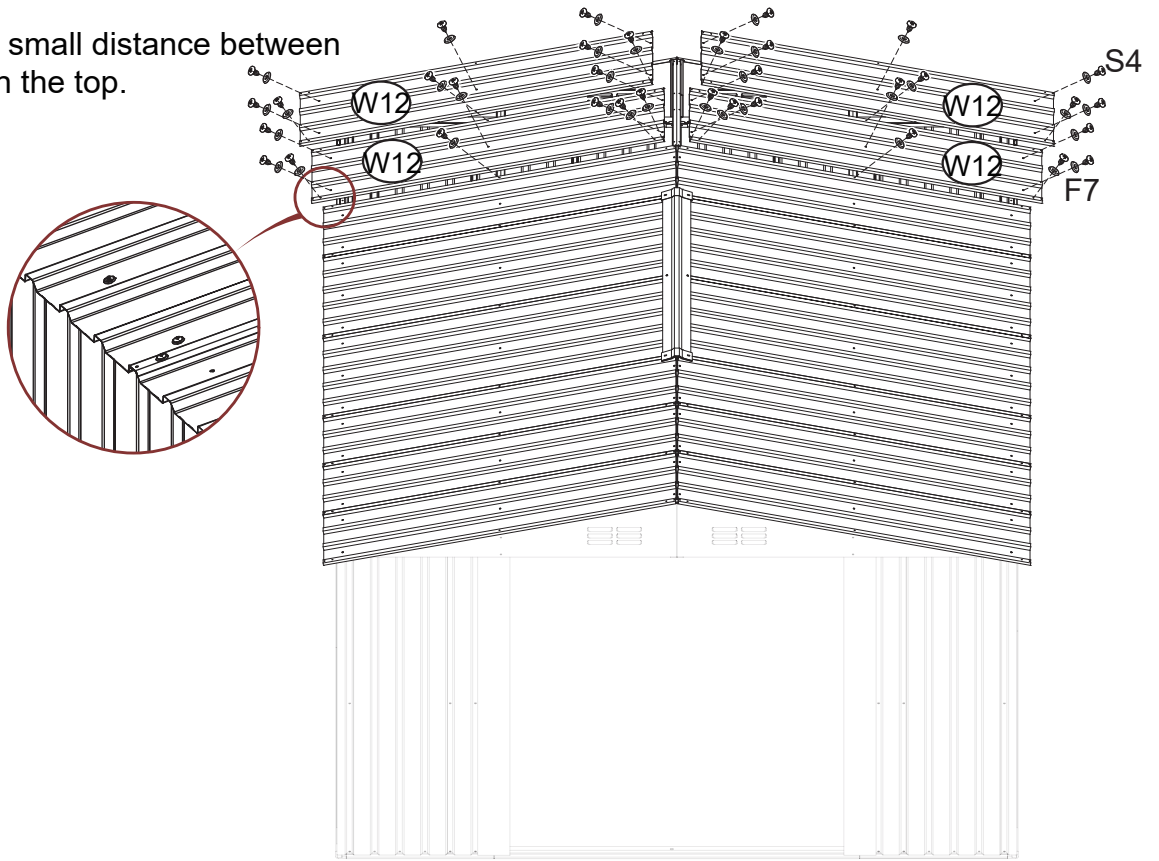
STEP 15



Place the side with small distance between holes and edges on the top.



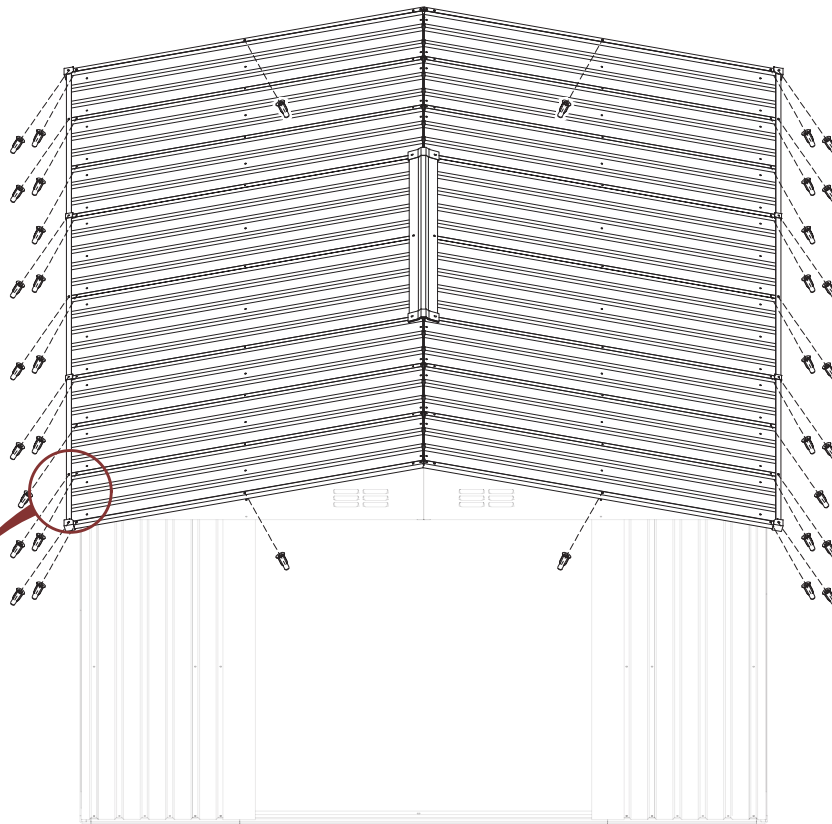
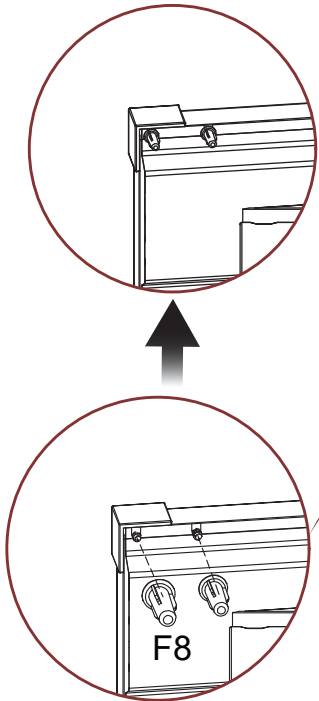
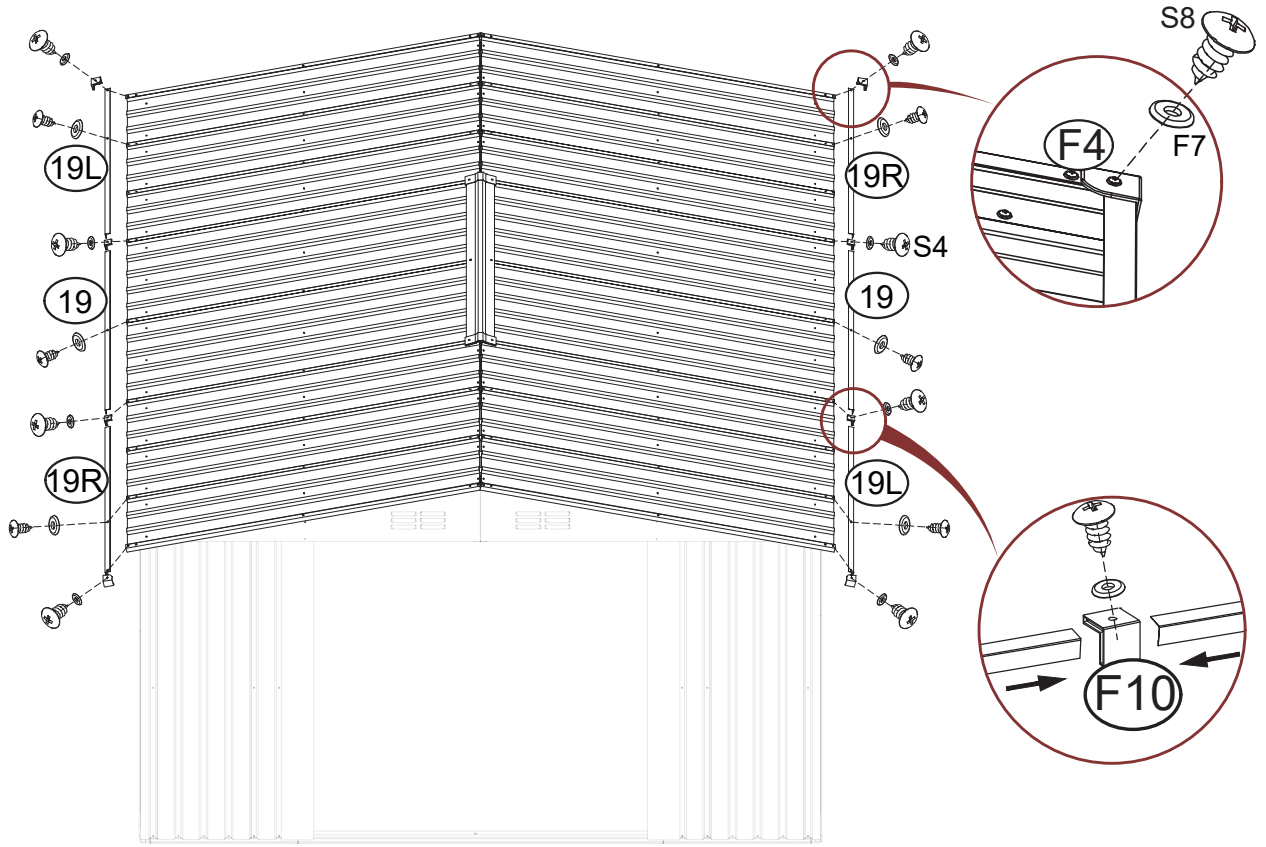
STEP 16



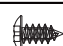
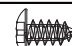
Place the side with small distance between holes and edges on the top.



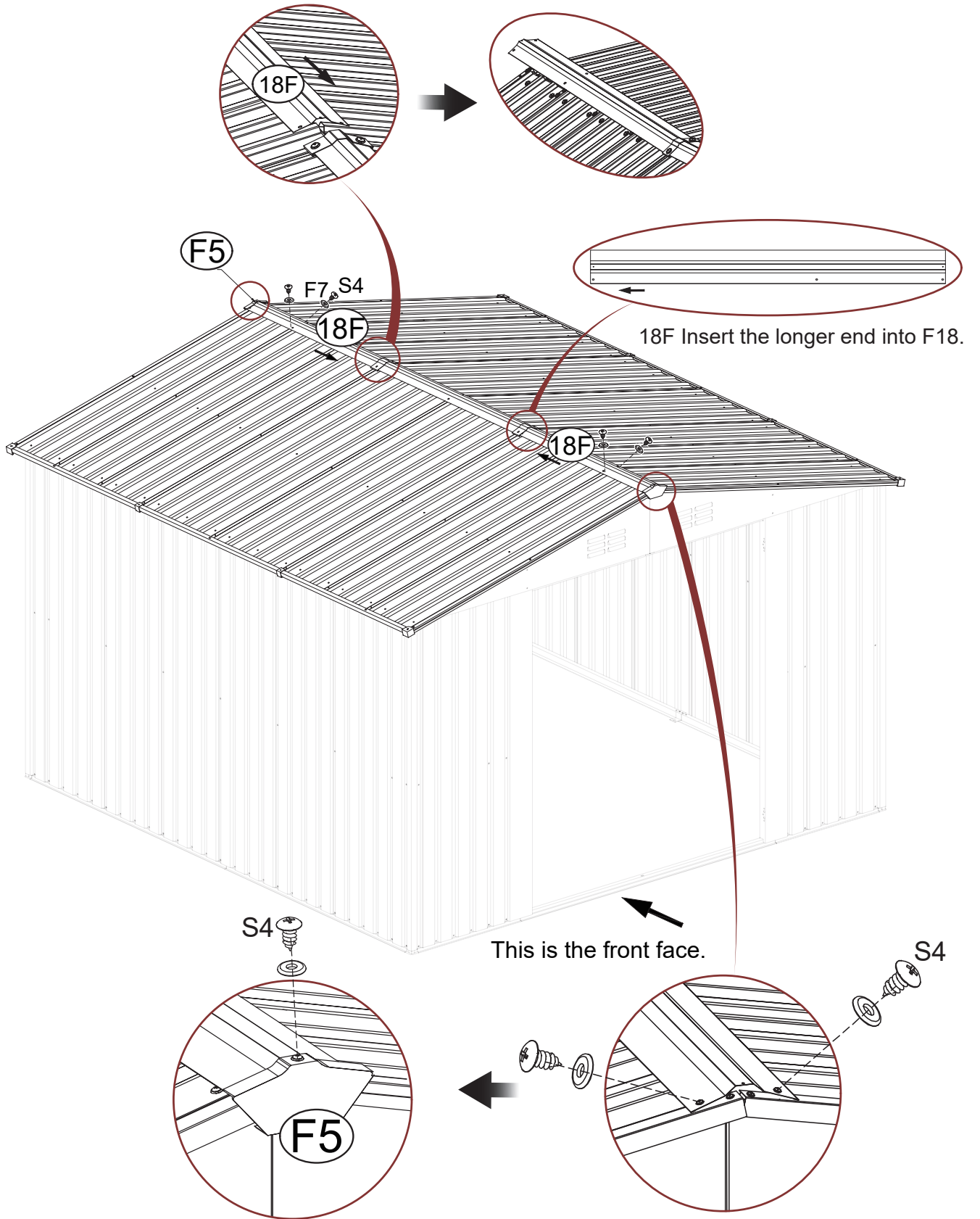
	F7	46
	S4	46



STEP 17



	F8	36		F7	14
	S4	6		S8	8

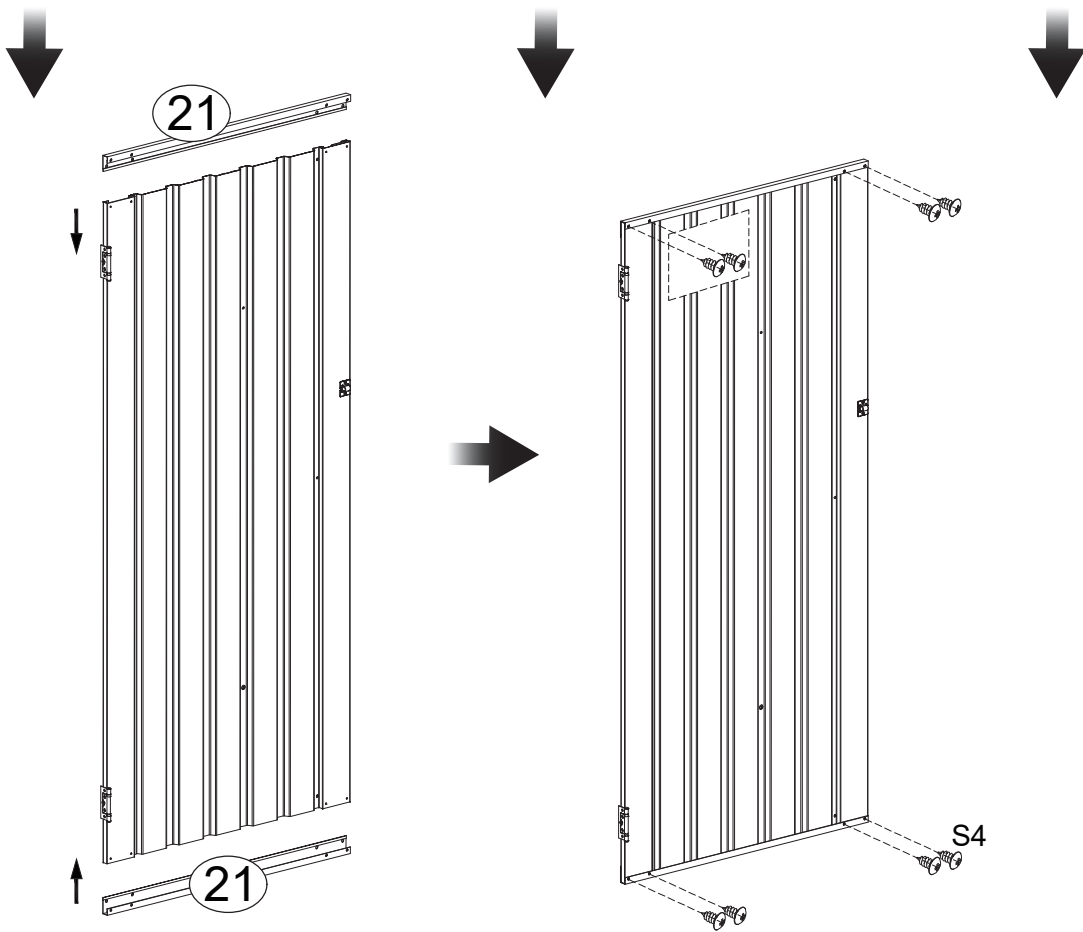
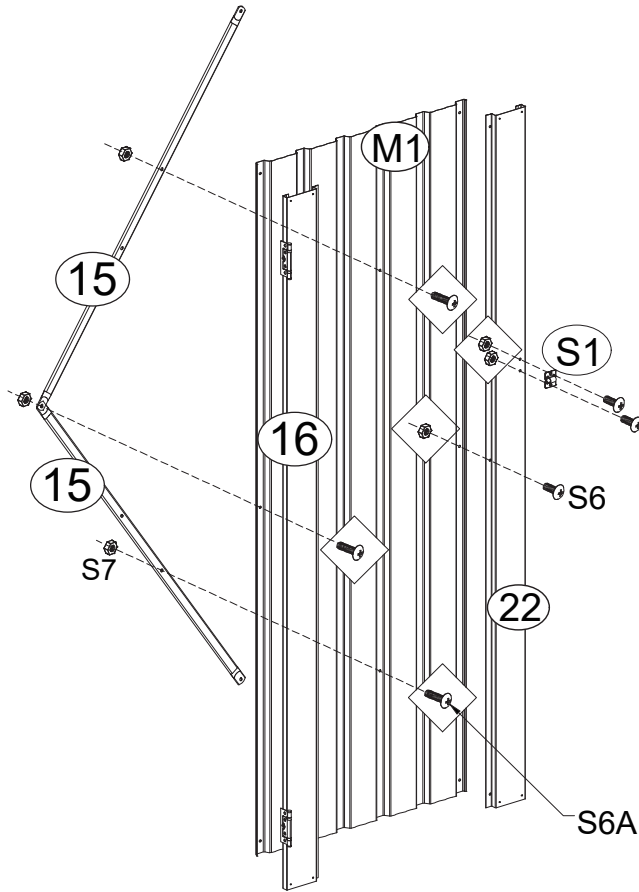
STEP 18







	F7	10
	S4	10

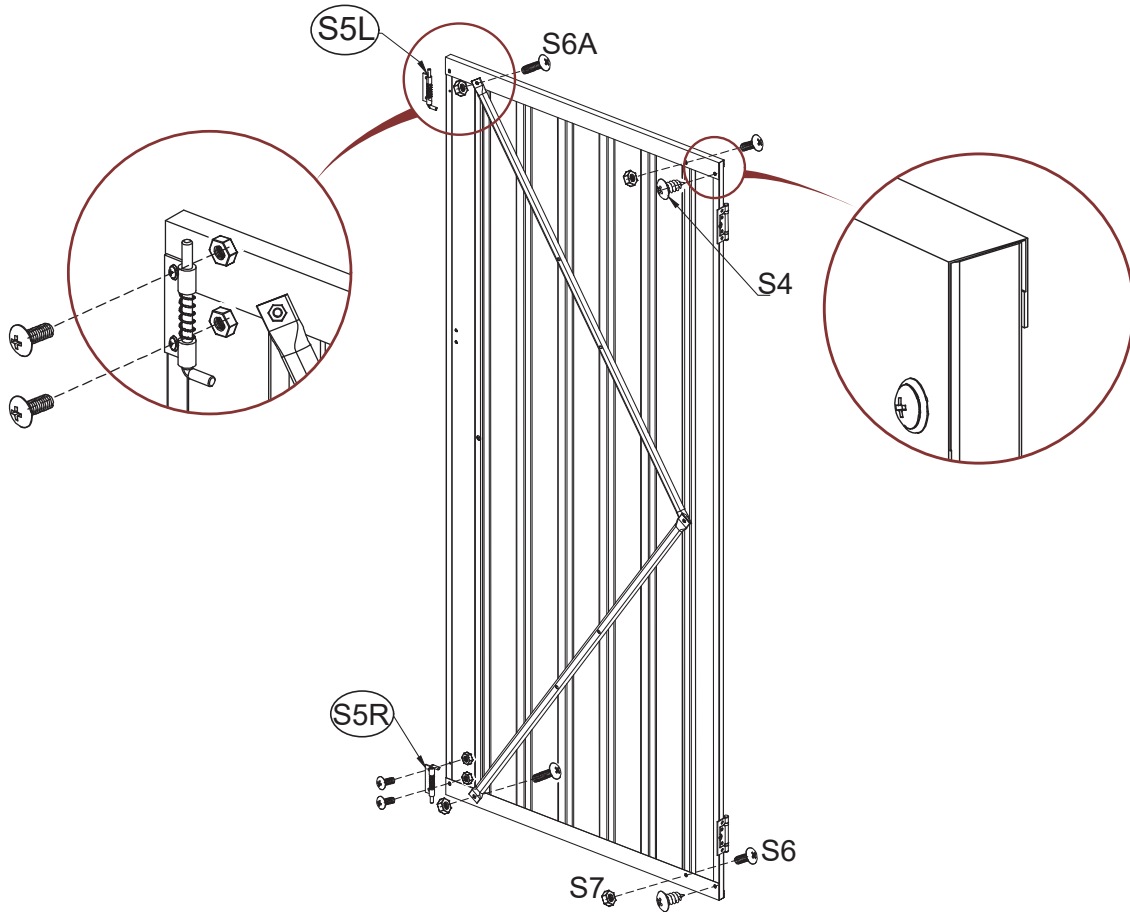
STEP 19

Put 16 on the side farther from the hole in the center of the tile and 22 on the side nearer.

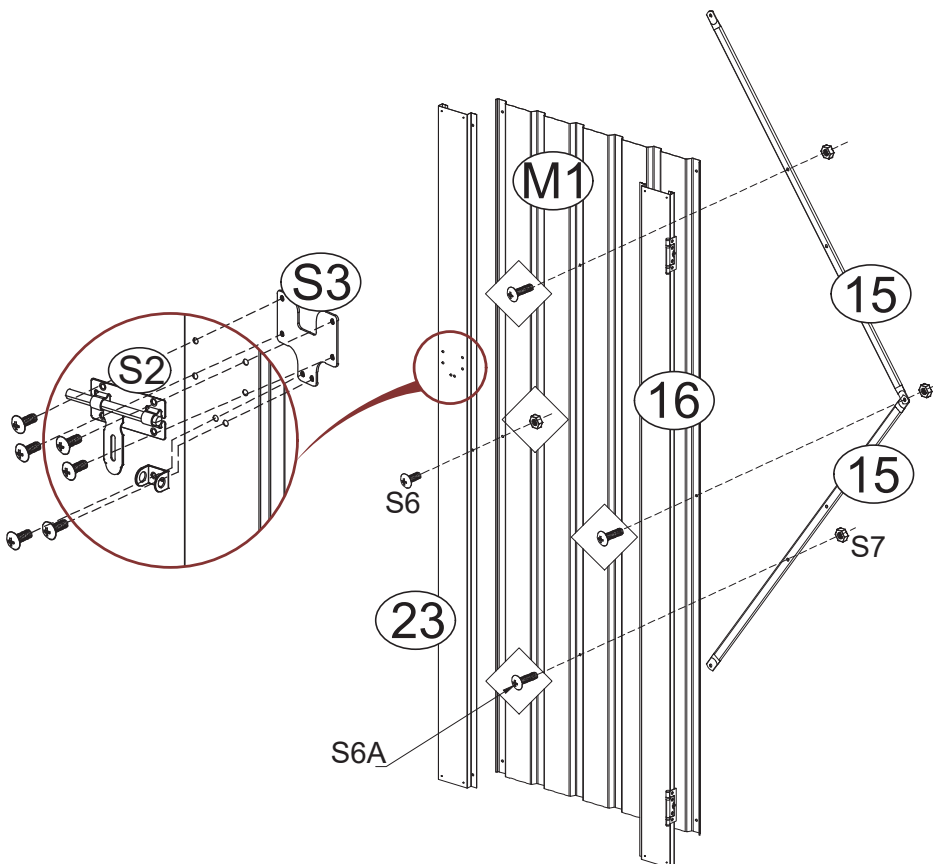






	S6	3		S7	6
	S6A	3		S4	8

STEP 20

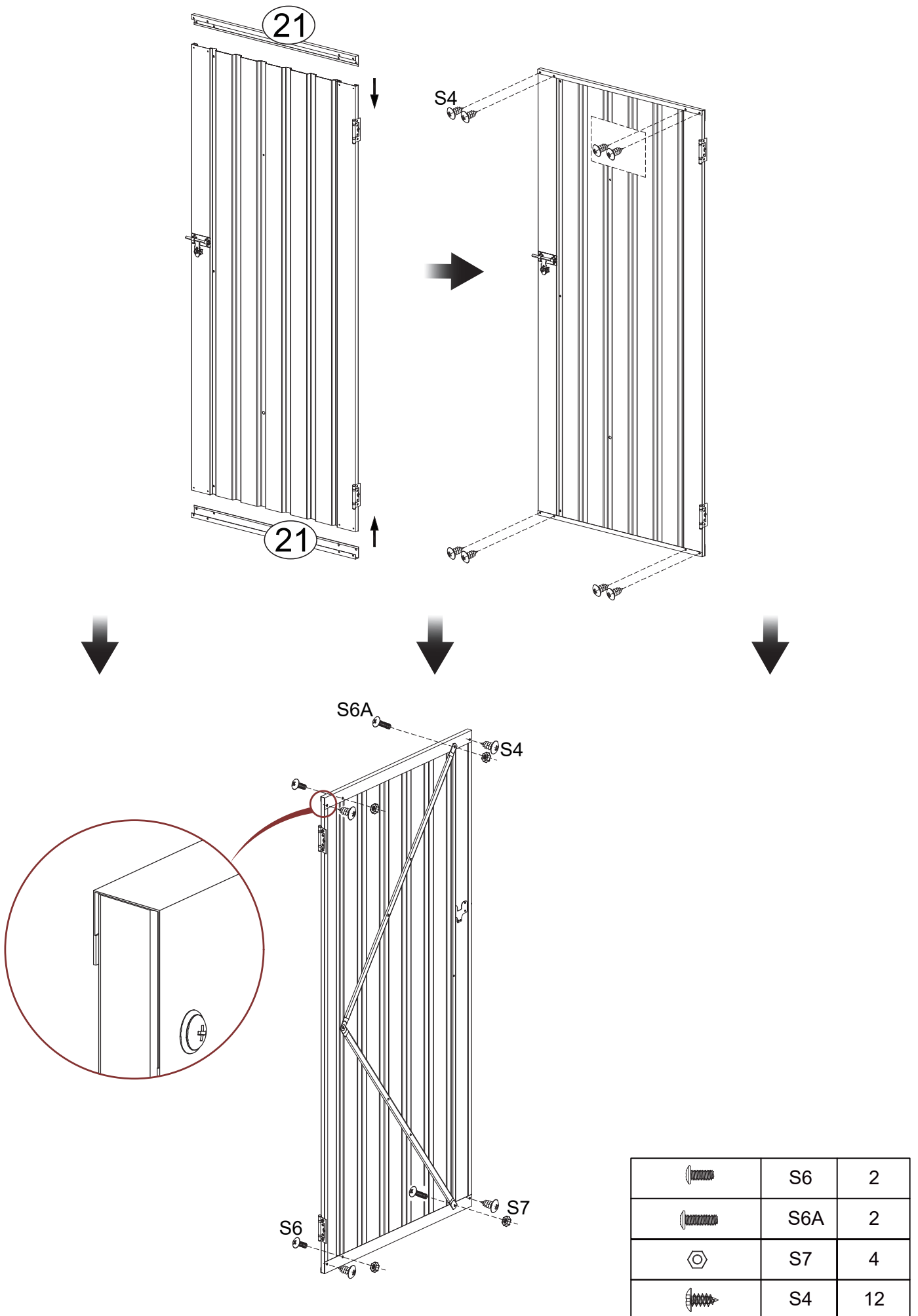


Put 16 on the side farther from the hole in the center of the tile and 23 on the side nearer.



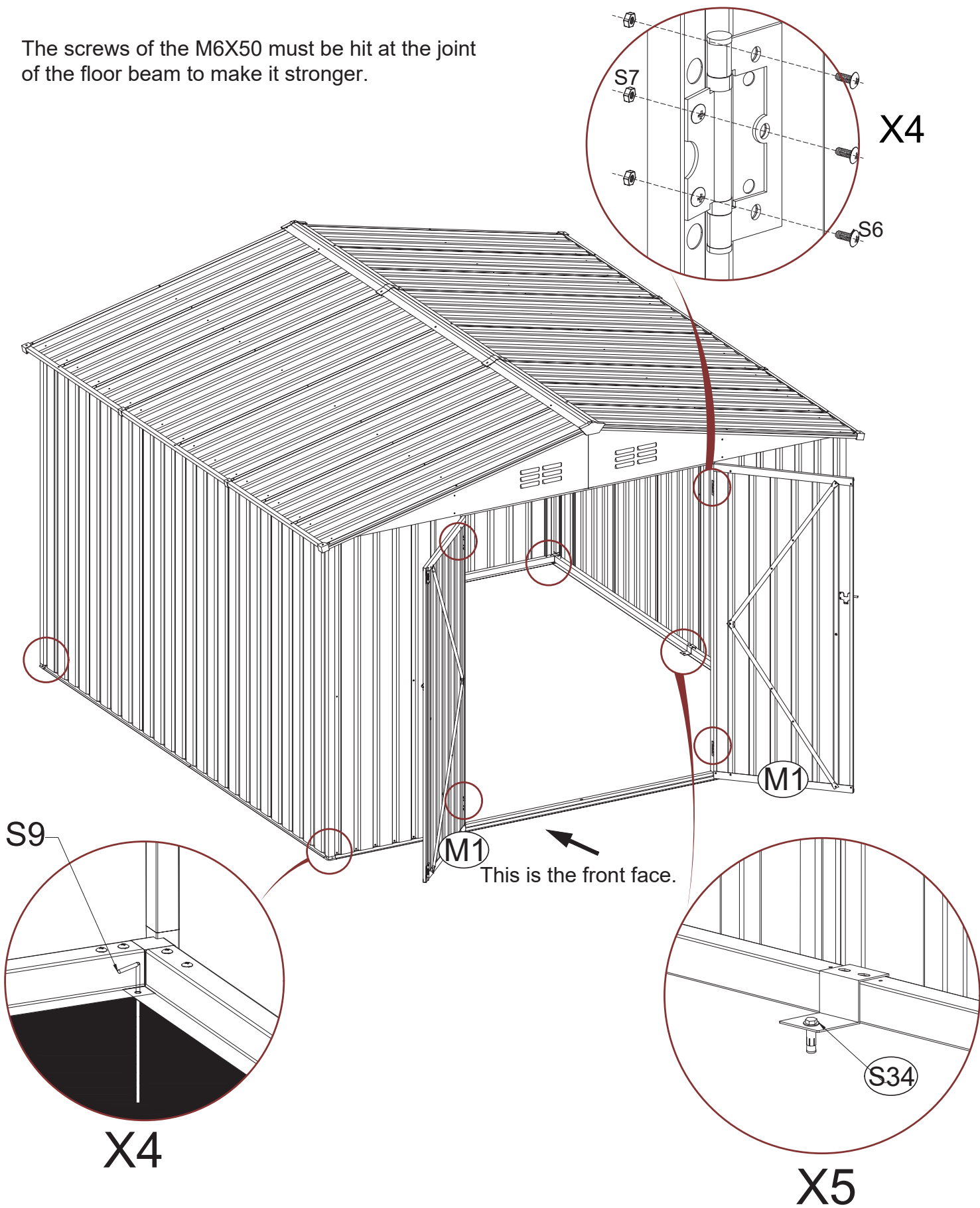
	S6	13
	S6A	5
	S7	12
	S4	2

STEP 21



STEP 22

The screws of the M6X50 must be hit at the joint of the floor beam to make it stronger.



WARNING

ADULT ASSEMBLY REQUIRED

CHOKING HAZARD

- This product includes small parts, sharp points and sharp edges in its unassembled state.
- Keep unassembled parts away from children under 3 years of age, and animals.

SAFETY WARNINGS

- Follow the information on the warnings appearing on this manual.
- Do not allow children under 3 years of age to use the product.
- Do not use substitute parts. Contact the manufacturer for replacement parts.

USE, MAINTENANCE & ASSEMBLY

- Periodically check and ensure that the components are in their proper position, free from damage, and that all connectors are tight.
- Use on level surfaces only. Assemble on a soft level surface to avoid damage to unit or floor.
- Do not use this item if any components are missing or damaged.
- Only clean using damp cloth and mild detergent, do not use bleach or abrasive cleaners.

CARE & SAFETY

- Unsuitable for storage of flammable or corrosive substances.
- It is of utmost importance to assemble all of the parts according to the directions. Do not skip any step.
- Please consult your local authorities if any permits are required to erect shed.
- Periodically check shed to assure that it remains stable and that the site remains level.
- It is highly recommended to secure the shed to an immovable object or to the ground by drilling holes in the floor at the pre-marked locations and inserting proper screws into the ground (screws are not included).
- Wear safety-goggles and always follow the manufacturer's instructions when using power tools.
- Wash shed with garden hose or a mild detergent solution. Using a stiff brush or abrasive cleaner could damage shed.
- Hot items such as recently used grills, blowtorches, etc. Must not be stored in the shed.
- Heavy articles should not be leaned against the walls, as this may cause distortion.
- Keep roof clean of snow and leaves. Heavy amounts of snow on roof can damage the shed making it unsafe to enter.
- Although wind direction varies, it is an important factor when taking into account where to place your shed. Therefore, it is recommended to reduce wind exposure of the shed in general, and the door side in particular.
- Keep doors closed and locked to prevent wind damage.
- Do not stand on the roof.

RETURN REQUEST

In order to get a full refund as described in this return policy, all items must be:

- (1) In a brandnew/unused condition, please provide photos before and after packaging.
 - (2) When returning, all accessories and parts are firmly packed in all original packaging.
- If your return does not meet the requirements, you may not get a full refund.

When will I be refunded?

The refund is released once the goods have been returned to our warehouse.

What if the product is damaged/defective outside of the valid return period?

We want you to be a happy customer. Please reach out to us by email and we will come up with a solution to make sure you are satisfied.

