

Handrail Bracket Instructions



PACKAGE CONTENTS (2-pack):
2 brackets, hardware kit, and instructions

PACKAGE CONTENTS (3-pack):
3 brackets, hardware kit, and instructions

WARRANTY: 1-year warranty

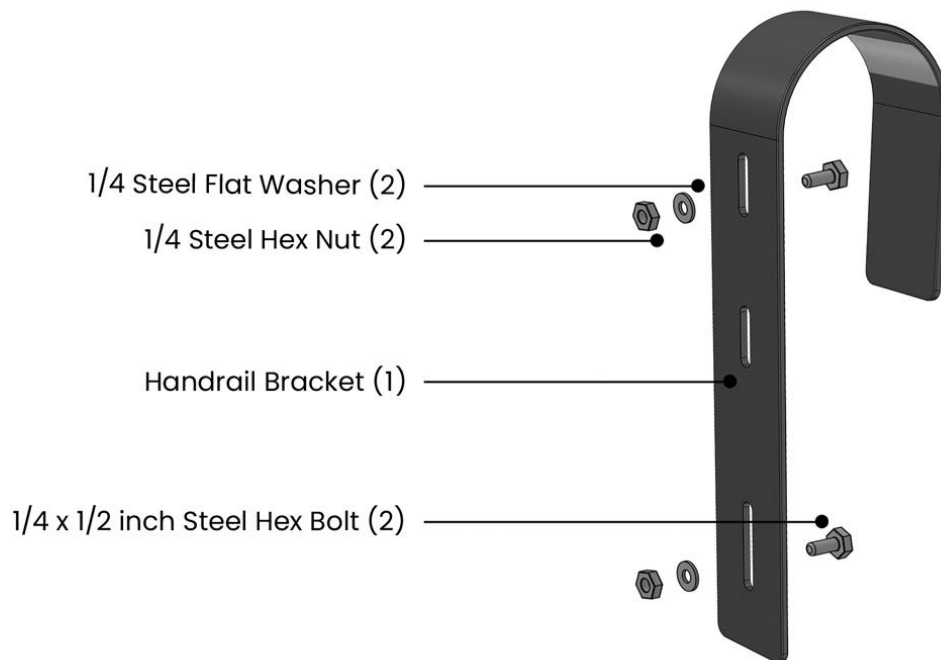
IMPORTANT NOTE: Please ensure that you are hanging the window boxes on a sturdy railing. A window box full of water and soil can add significant weight to the railing system.

General Information:

- Read instructions carefully before beginning assembly.
- Do not use excessive force when assembling components.
- Handrail brackets are designed to accommodate a railing up to 3 inch diameter.

Material List

(Each bracket includes the following hardware)



Tools Required:



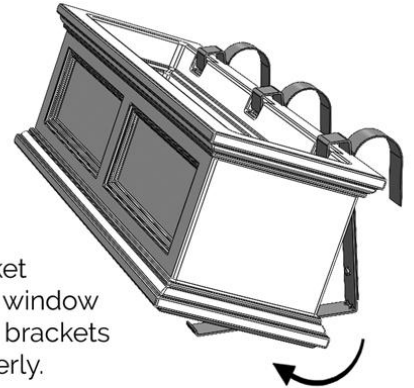
7/16 inch wrench

1.

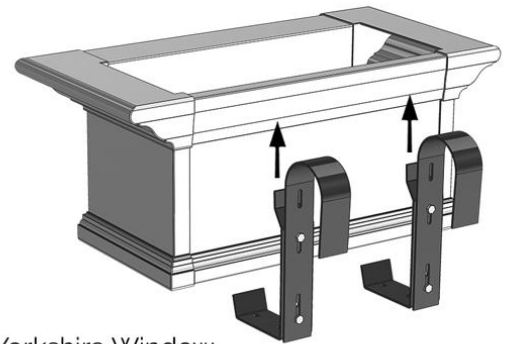


Align the handrail bracket with the wall mount brackets that shipped with your Mayne window box. For the Yorkshire window box align the bottom 2 slots on the deck rail bracket with the Yorkshire wall mount bracket. Fasten them together using the 1/4 Hex Bolt, 1/4 Washer, and 1/4 nut. Tighten firmly with a wrench.

2.

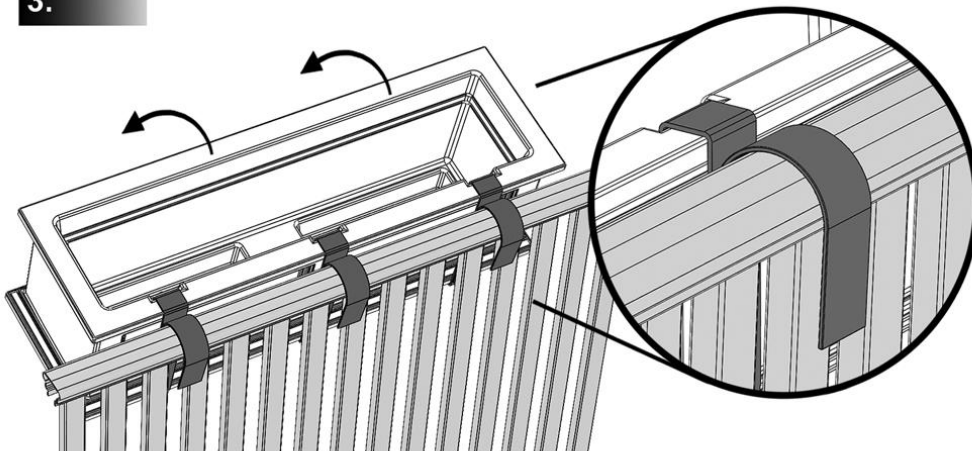


Attach the bracket assembly to the window box. Be sure the brackets are seated properly.



For the Yorkshire Window Boxes the brackets slide up into the groove on the back panel.

3.



Hang the window box on the railing. Make sure the brackets fully slide over the handrail for a secure installation.