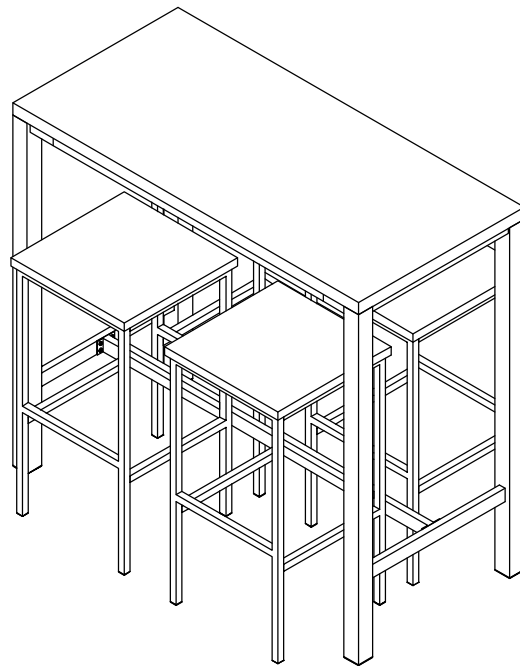


# *ASSEMBLY INSTRUCTIONS*



# ASSEMBLY INSTRUCTIONS

## ASSEMBLY TIPS:

1. Remove hardware from box and sort by size.
2. Please check to see that all hardware and parts are present prior to start of assembly.
3. Please follow attached instructions in the same sequence as numbered to assure fast & easy assembly.



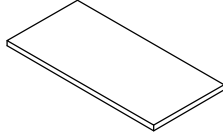
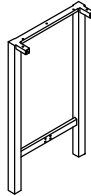
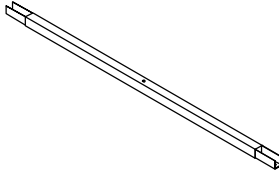
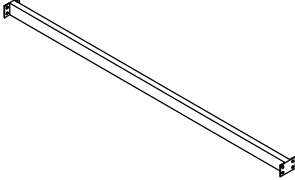
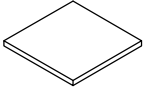
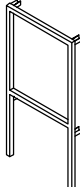
## WARNING!

1. Don't attempt to repair or modify parts that are broken or defective. Please contact the store immediately.
2. This product is for home use only and not intended for commercial establishments.



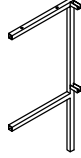
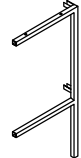
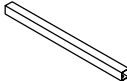
ASSEMBLY TIME 120 MINUTES

## PARTS IDENTIFICATION

A	BAR TABLE TOP PANEL		1PC
B	BAR TABLE SIDE FRAME		2PCS
C	BAR TABLE TOP CROSSBAR		2PCS
D	BAR TABLE BOTTOM CROSSBAR		1PC
E	CHAIR TOP PANEL		1PC
F	CHAIR FRONT FRAME		1PC







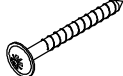
# ASSEMBLY INSTRUCTIONS

## PARTS IDENTIFICATION

G	CHAIR LEFT FRAME		1PC
H	CHAIR RIGHT FRAME		1PC
I	CHAIR CROSSBAR		2PCS

NOTE: QUANTITIES SHOWN ARE FOR ONE TABLE AND ONE STOOL

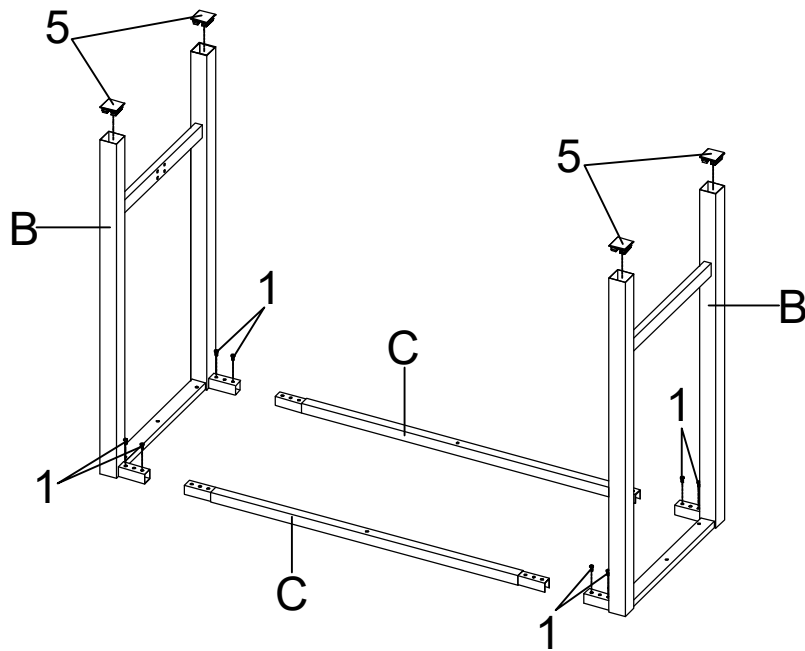
## HARDWARE IDENTIFICATION

1	SHORT BOLT (1/4" x 12mm SR)		32PCS	5	LARGE CAP (50 x 50mm BLK)		4PCS
2	MEDIUM BOLT (1/4" x 32mm SR)		10PCS	6	SMALL CAP (20 x 20mm BLK)		4PCS
3	LONG BOLT (1/4" x 38mm SR)		4PCS	7	ALLEN WRENCH (4mm)		1PC
4	SCREW (4 x 40mm)		2PCS				

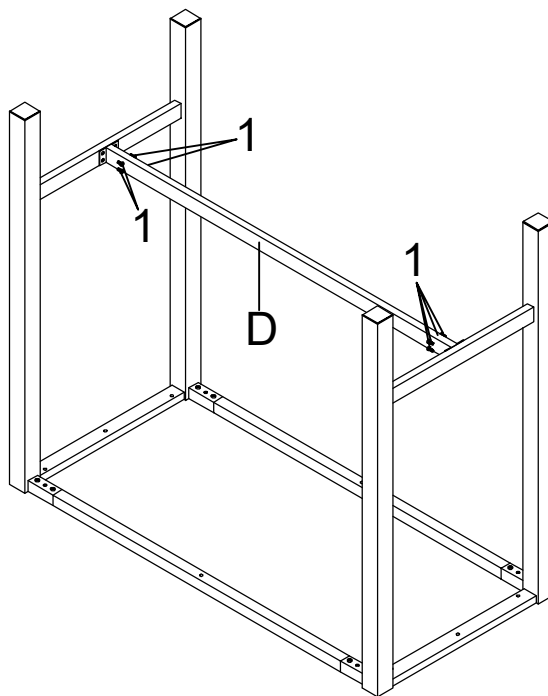
NOTE: QUANTITIES SHOWN ARE FOR ONE TABLE AND ONE STOOL

# ASSEMBLY INSTRUCTIONS

**STEP 1** Do not tighten until each step is completed or instructed.

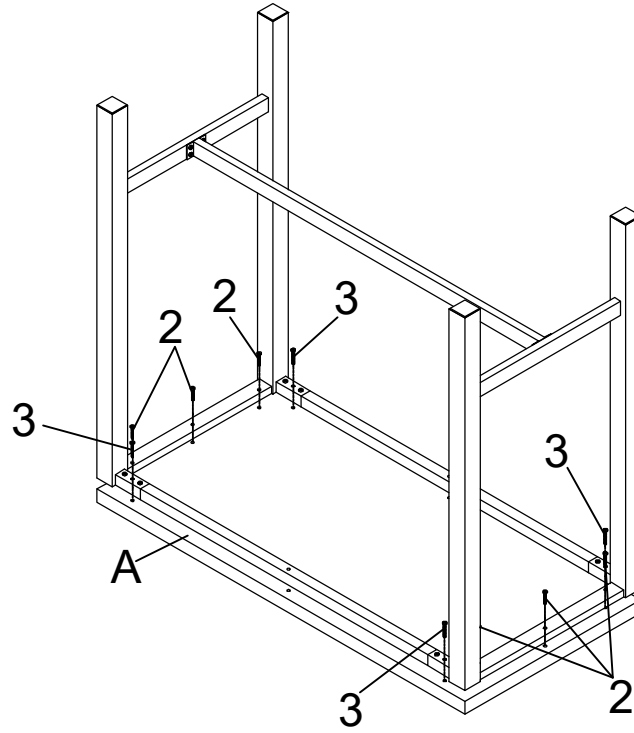


## STEP 2

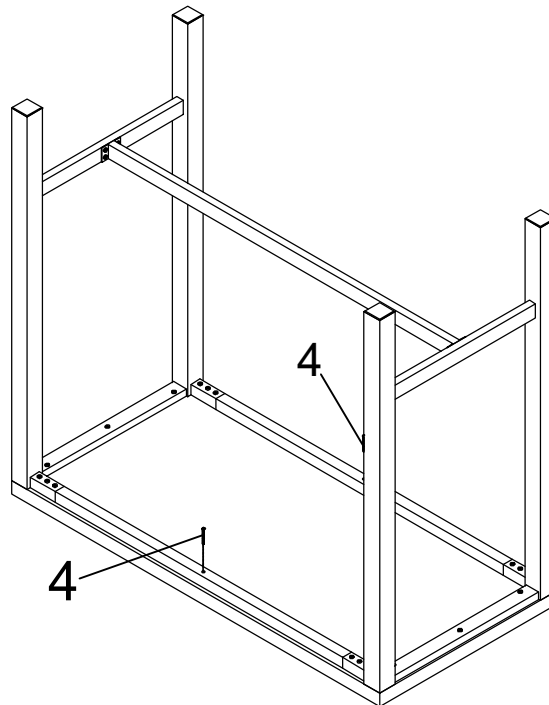


# ASSEMBLY INSTRUCTIONS

## STEP 3

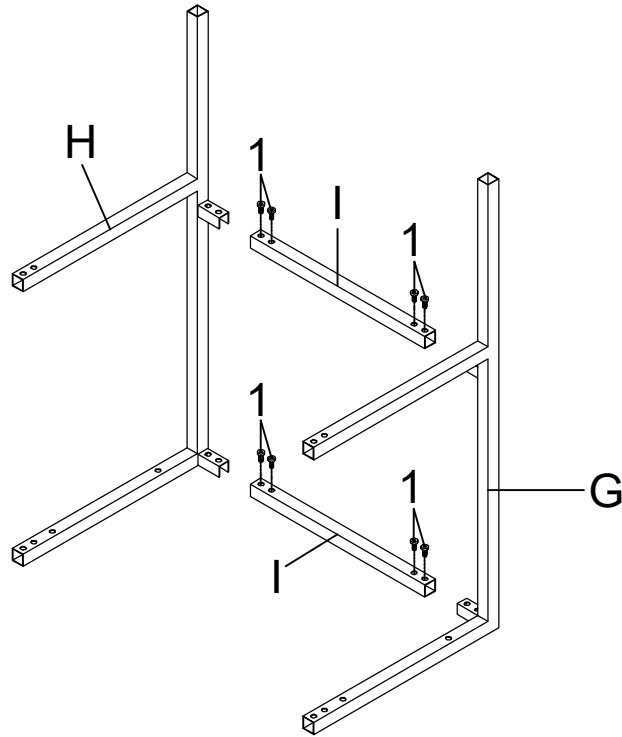


## STEP 4

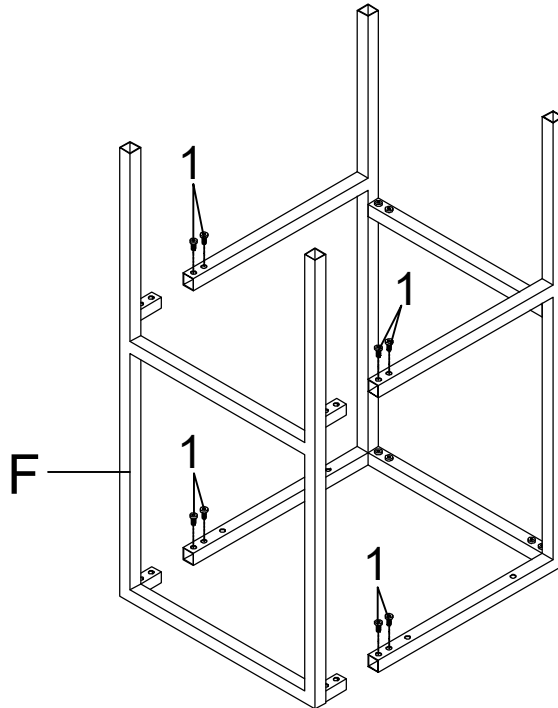


# ASSEMBLY INSTRUCTIONS

## STEP 5

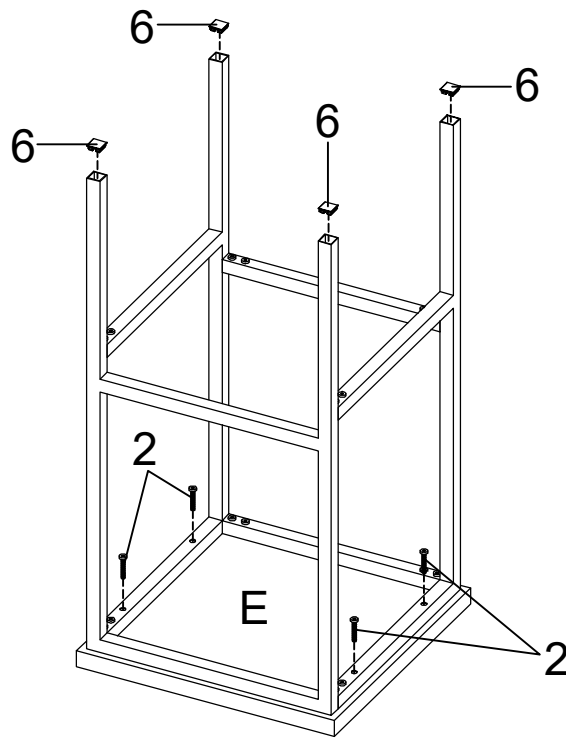


## STEP 6

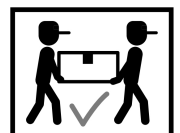
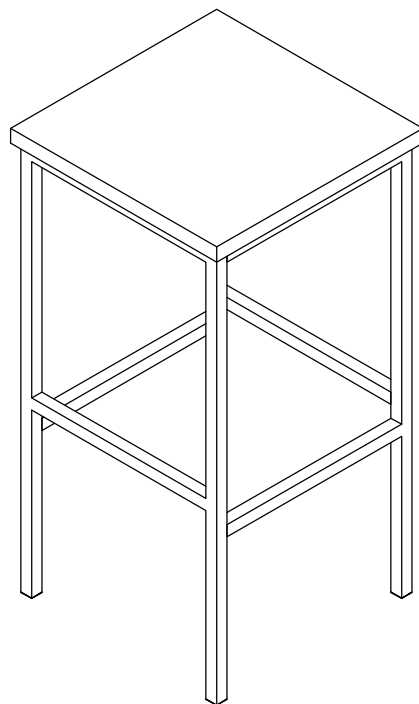


# ASSEMBLY INSTRUCTIONS

## STEP 7



## STEP 8 COMPLETE



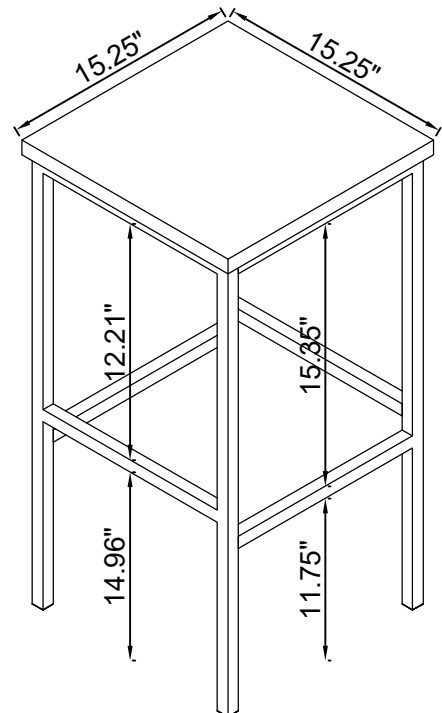
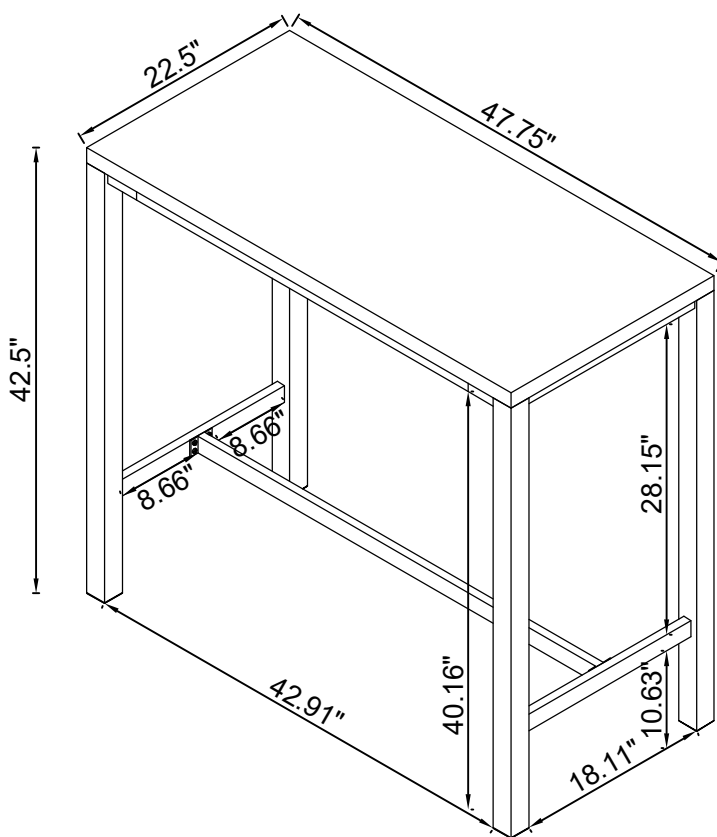
# ASSEMBLY INSTRUCTIONS

**Product Size : 1212 X 572 X 1080 H (MM)**

**Product Size : 47.75" X 22.5" X 42.5"**

**Product Size : 387 X 387 X 756 H (MM)**

**Product Size : 15.25" X 15.25" X 29.75"**



Note : Dimension tolerance  $\pm 5\%$