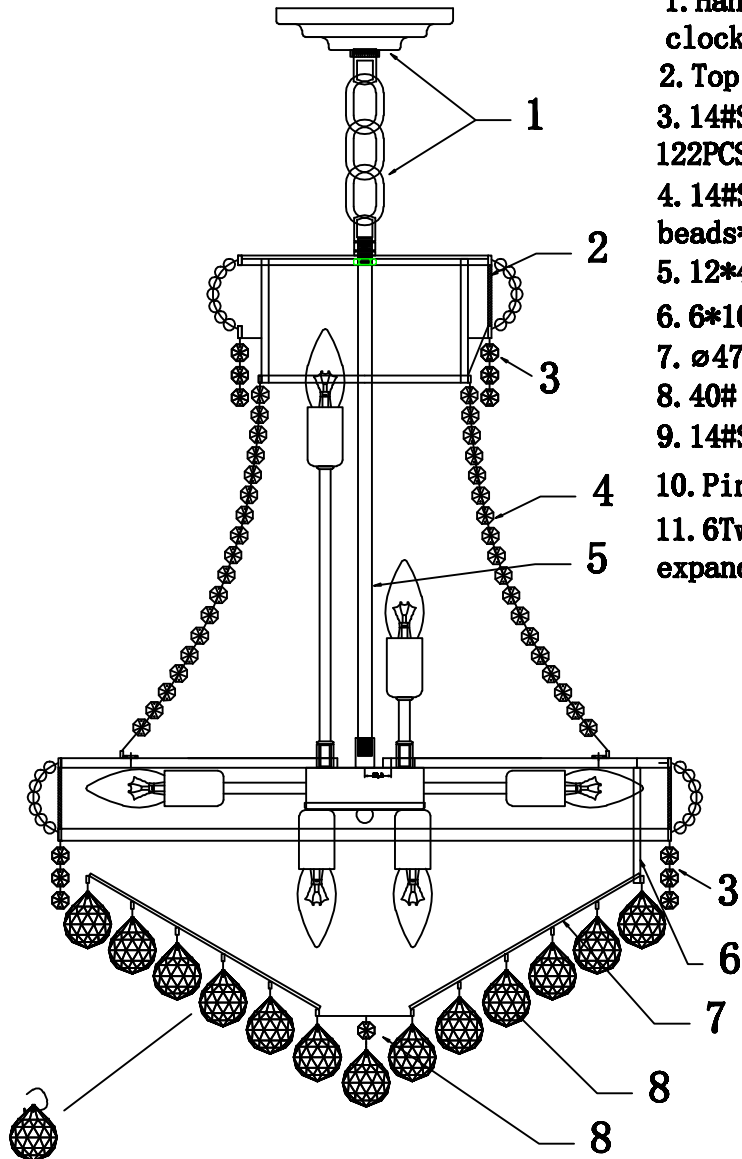


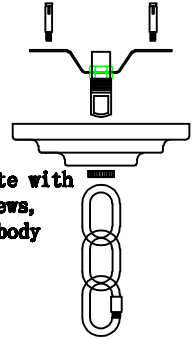
ø600*H720Crystal lamp

Details of accessories

1. Hanging chain hanging clock hanging plate 1 set
2. Top Shelf 1PCS
3. 14#Star anise beads*3Beads 122PCS
4. 14#Star anise beads*18Beads 28PCS
5. 12*440 Straight tube 1PCS
6. 6*100 Fang Zhi 4PCS
7. ø473 Bottom iron frame 1PCS
8. 40# Crystal Ball 127PCS
9. 14#Star anise beads*1 1PCS
10. Pins 140粒
11. 6Two grain strips of expanded silk 1PCS



Shelf installation procedure



6. Hanging Plate with expansion screws, hanging lamp body

4. Put the top shelf on and lock it with a bucket

3. First twist a nut, twist it all the way to the end

2. 540MM Twist the middle tube onto the socket (note the short teeth at the bottom)

1. 4Put the lamp cap on the straight tube and tighten the small screw

5. Bottom shelf secured with 100 cuboids

