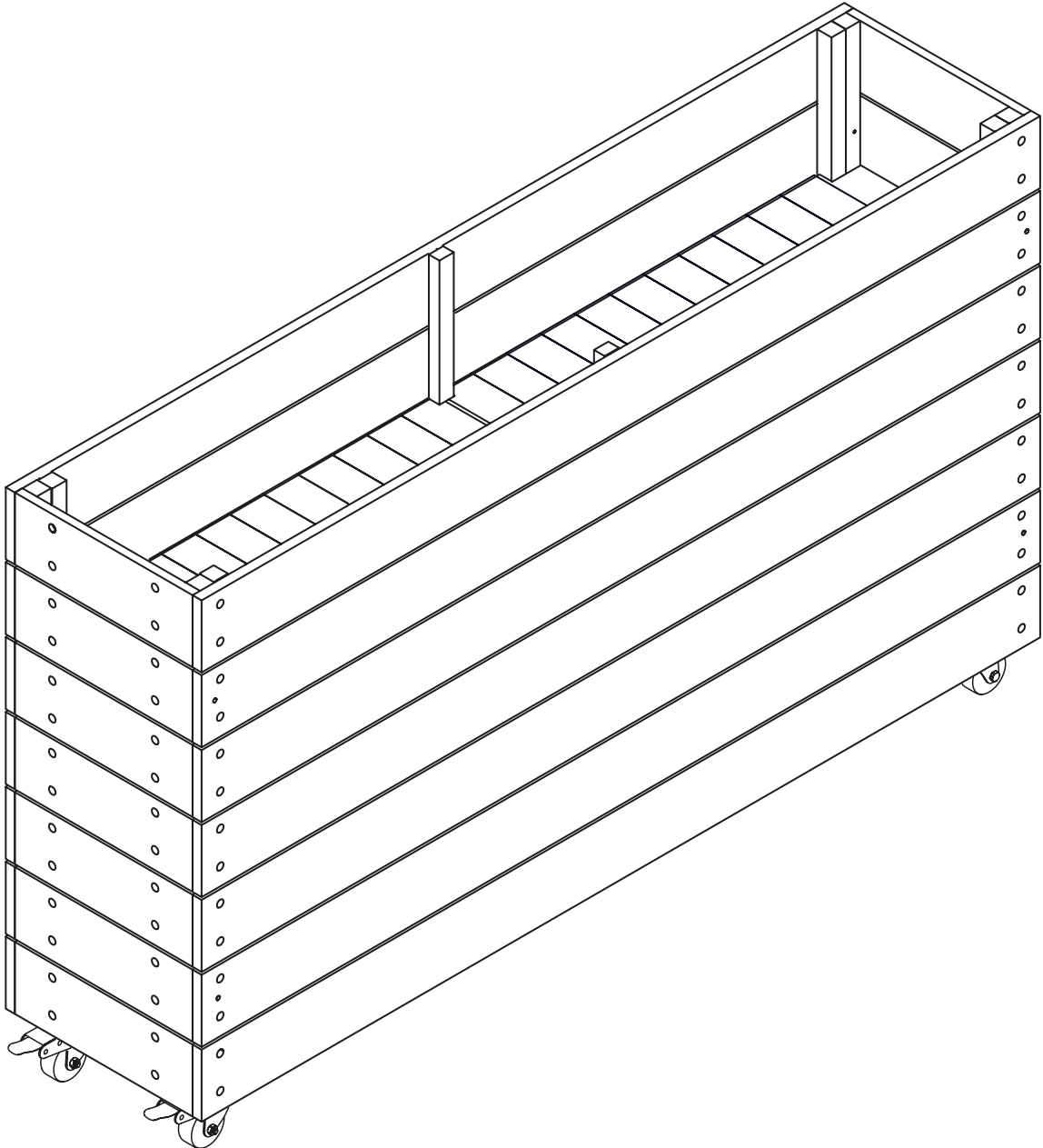


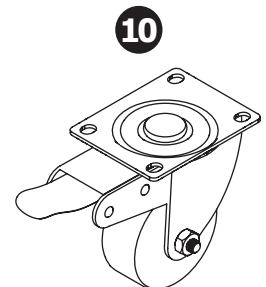
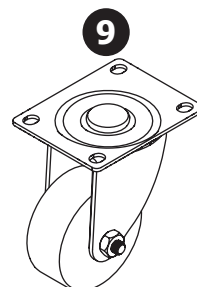
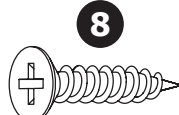
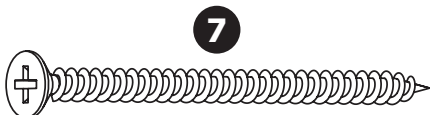
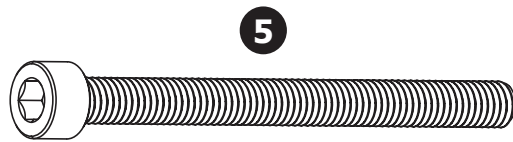
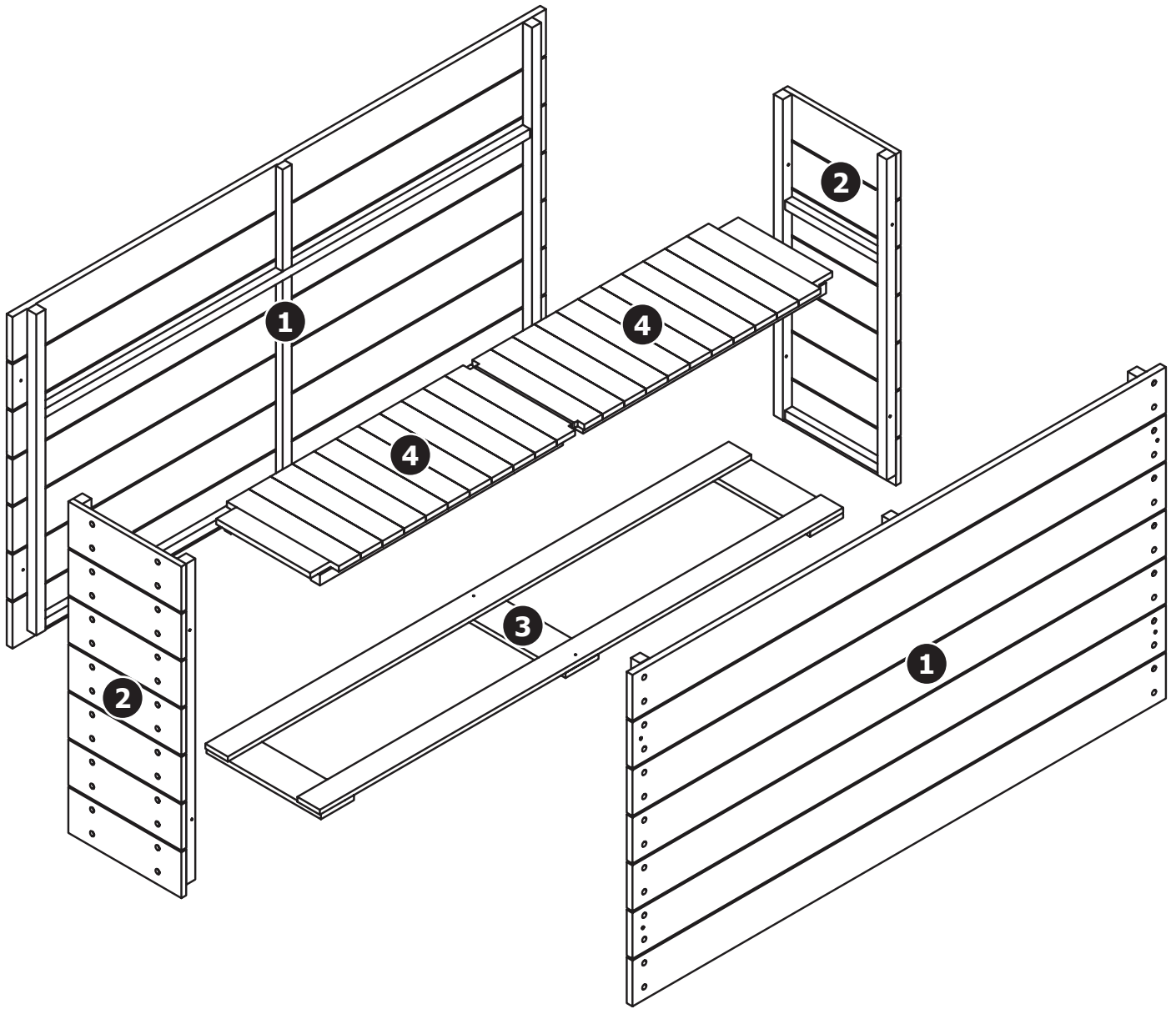
FlowerBox

User Manual



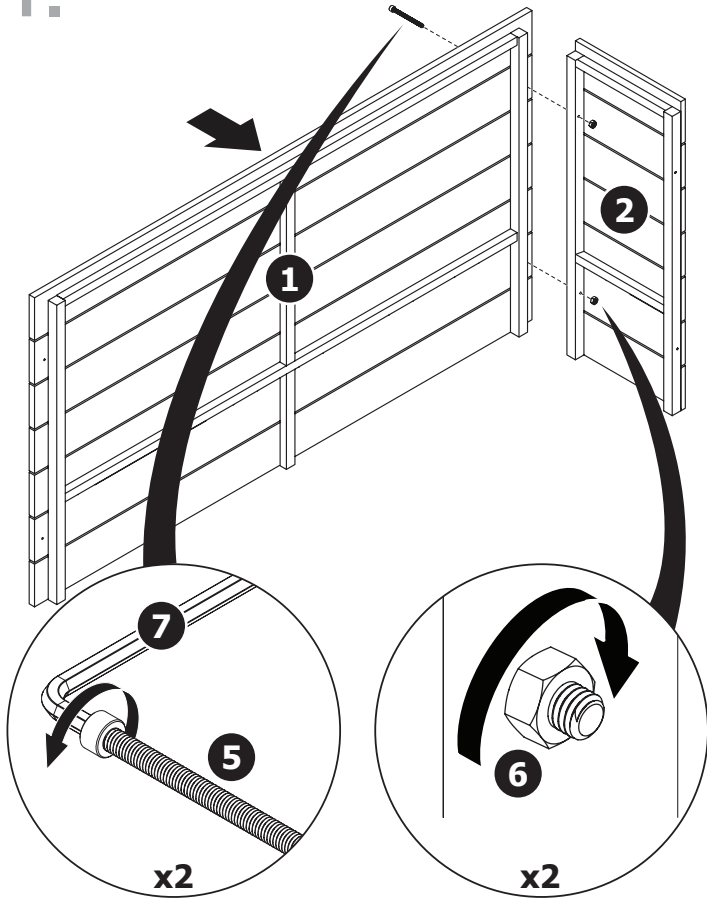
PARTS

Below is a breakdown of how the parts will come together for your final product, as detailed in a simplified exploded view below

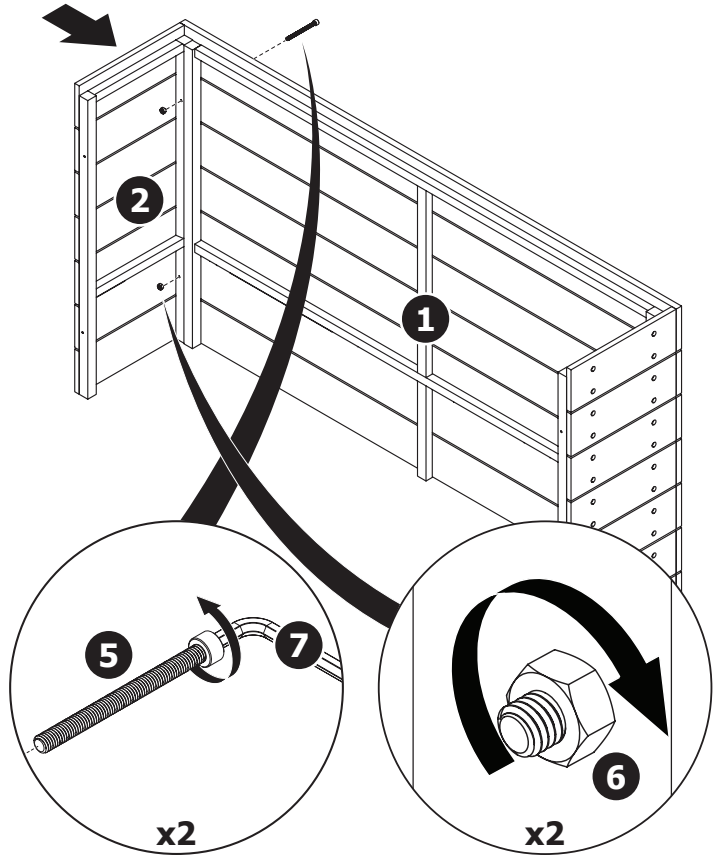


INSTRUCTIONS

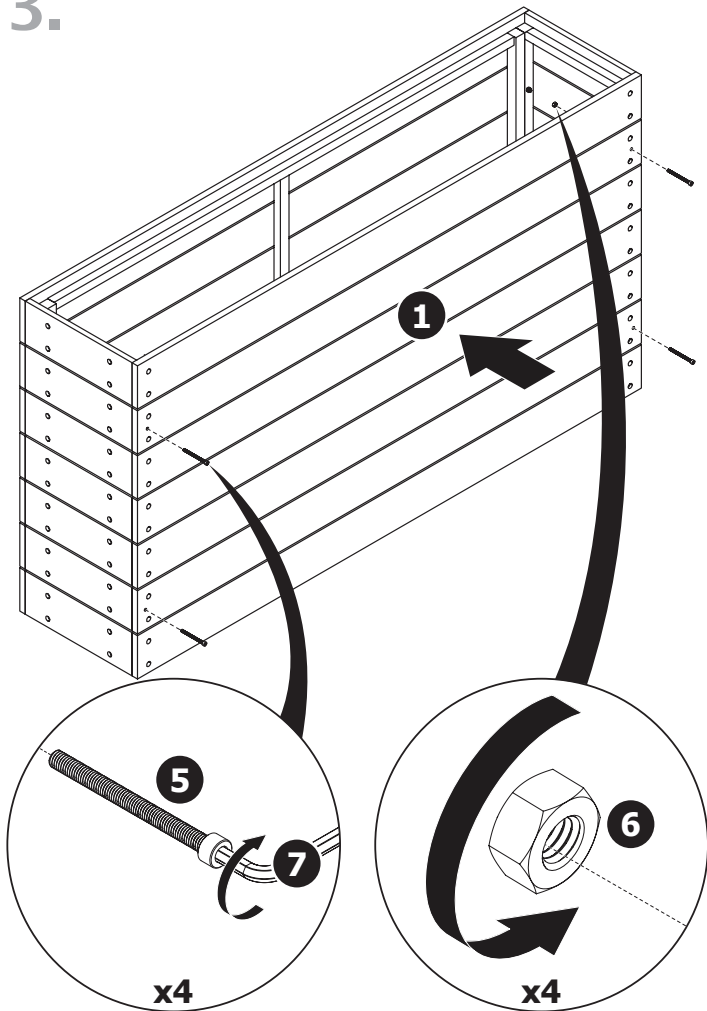
1.



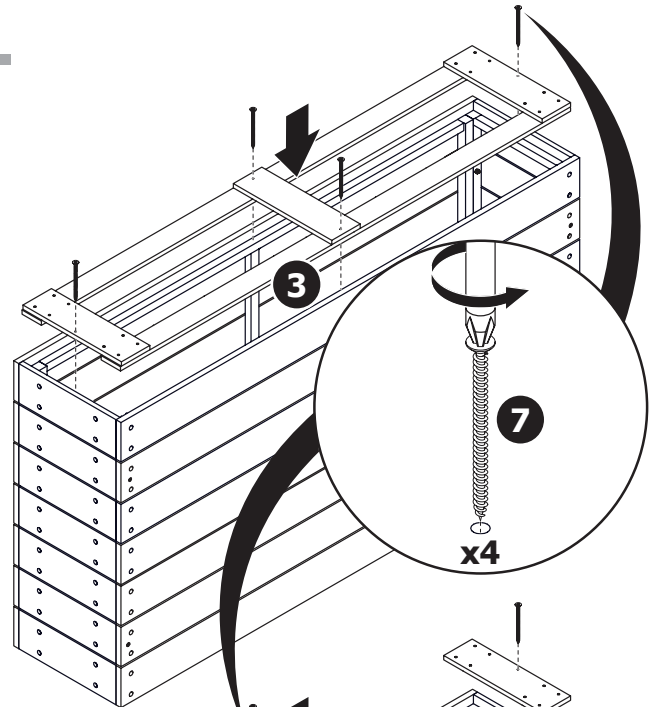
2.



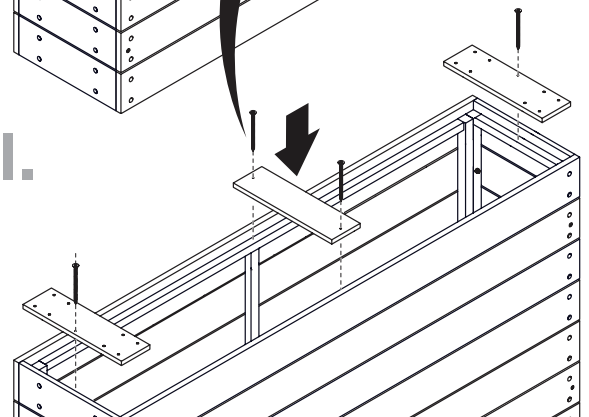
3.



4I.



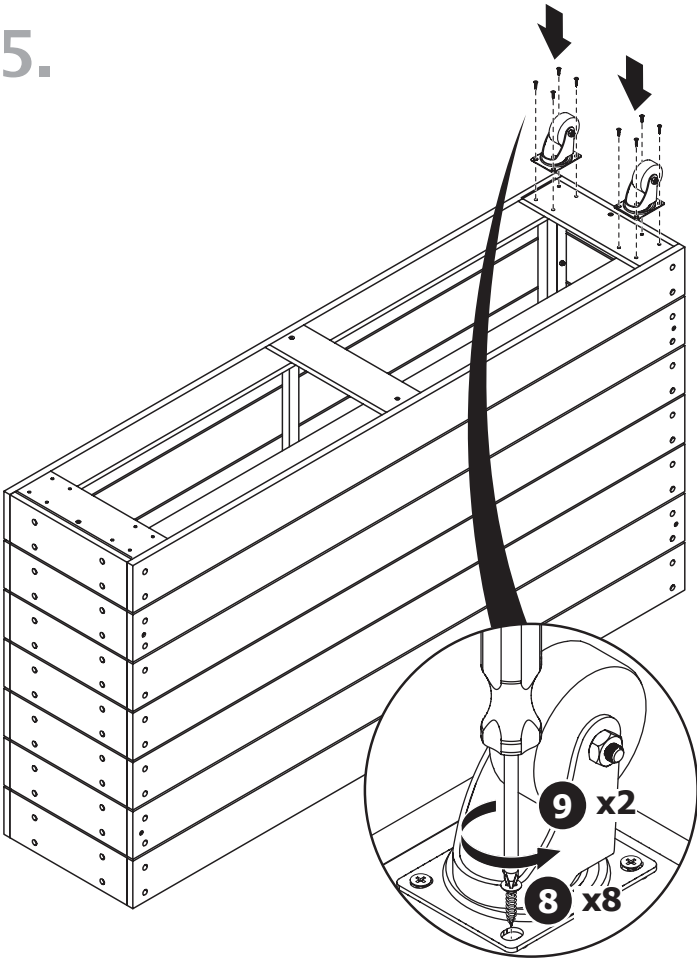
4II.



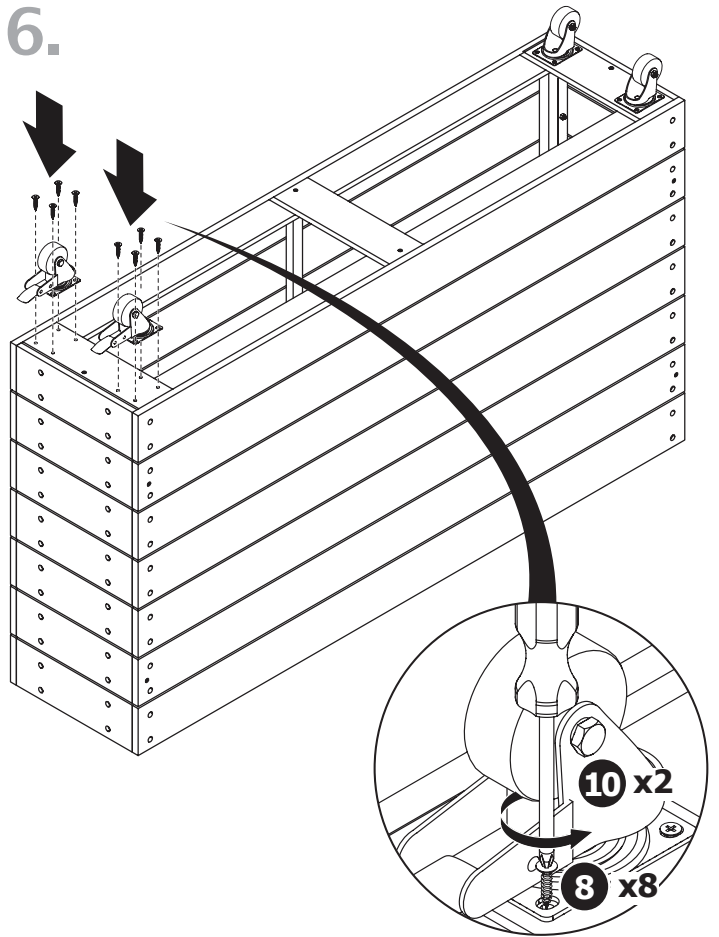
Some planter bottom come with only 3 pc board.

INSTRUCTIONS

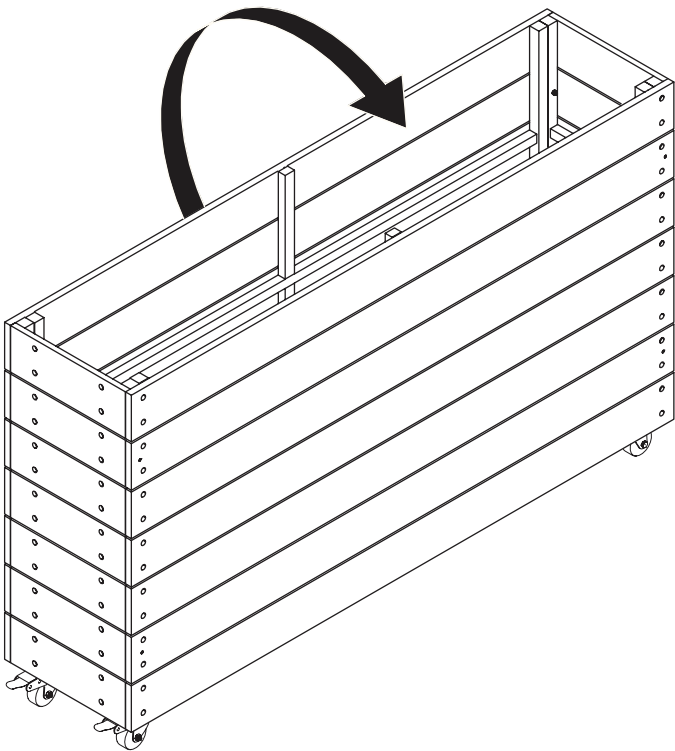
5.



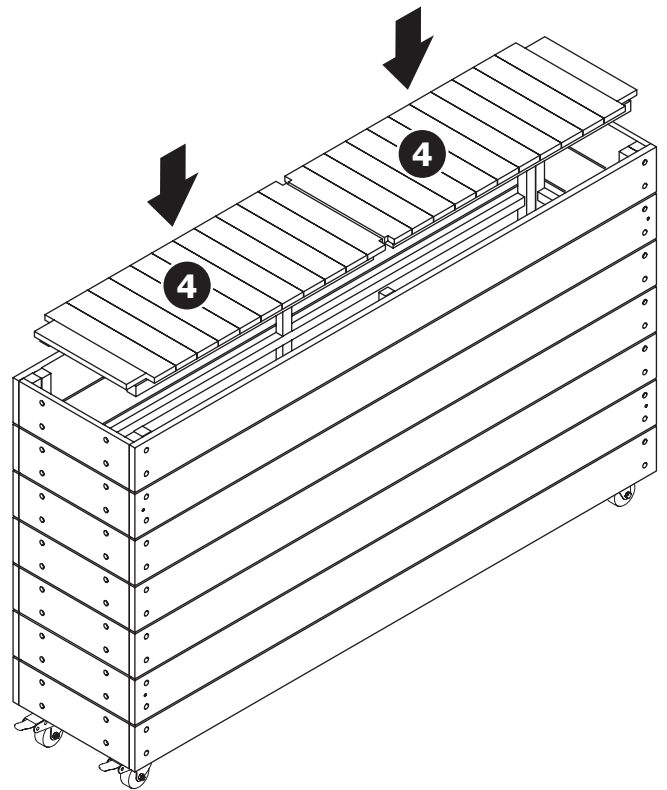
6.



7.



8.



Technical support

Get in touch with us and we'd love to answer all your questions or comments. We have our team ready to help with anything you need.



Scan the QR Code for installation detail

www.youshouldhaveit.com

info@youshouldhaveit.com

There are unique patterns and variations for you to choose for your ideal assembly of the Privacy Screen. Below are the available options that Highlander offers that suit your desired pattern and variation. We offer variety of patterns and configurations. For more information, Please, visit

www.youshouldhaveit.com

Or contact information

info@youshouldhaveit.com

We offer favorable discount if you purchase from our website