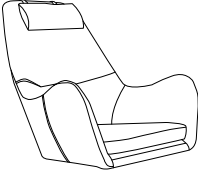
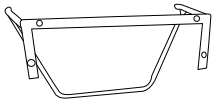
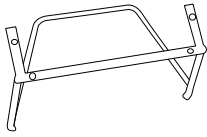
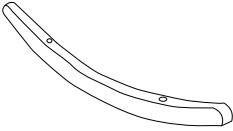





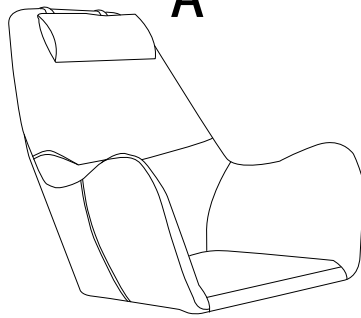
An icon showing an L-shaped metal bracket inside a circle, and a power drill with a diagonal line through it, indicating that a drill should not be used for assembly.	A warning triangle containing an exclamation mark.	A circular clock face with tick marks around the perimeter.
	<b>30'</b>	
An icon showing a rectangular block on a surface with hatching underneath, and a second block being lifted from underneath with a diagonal line through it, indicating that the chair should not be used on uneven or soft surfaces.	A warning triangle containing an exclamation mark.	A simple line drawing of a person standing.
	<b>1</b>	

<b>A</b>	<b>B1</b>	<b>B2</b>	<b>C</b>	<b>D</b>
				
<b>x 1</b>	<b>x 1</b>	<b>x 1</b>	<b>x 2</b>	<b>x 1</b>

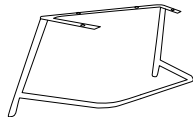
**D**



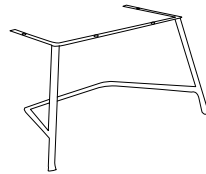
**A**



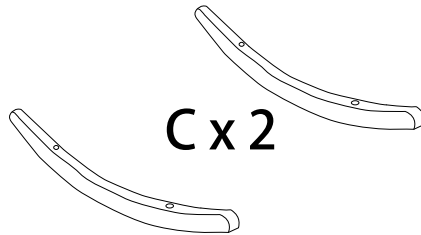
**B1**

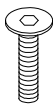
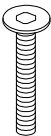
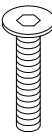
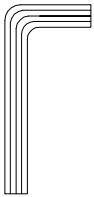


**B2**

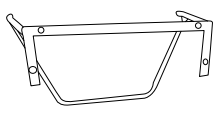

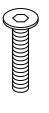
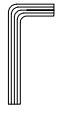


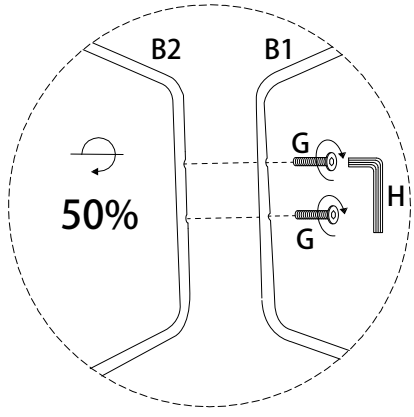
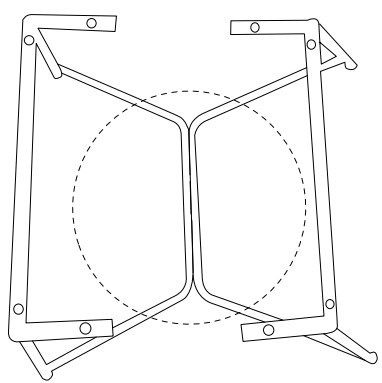
**C x 2**



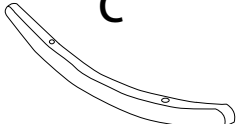
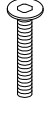
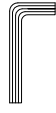
<b>E</b>	<b>F</b>	<b>G</b>	<b>H</b>
 M6 x 20	 M6 x 40	 M6 x 25	
<b>x 8</b>	<b>x 4</b>	<b>x 2</b>	<b>x 1</b>

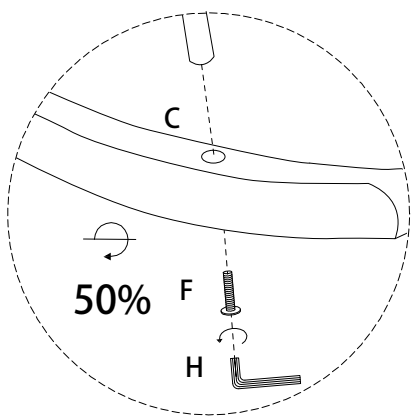
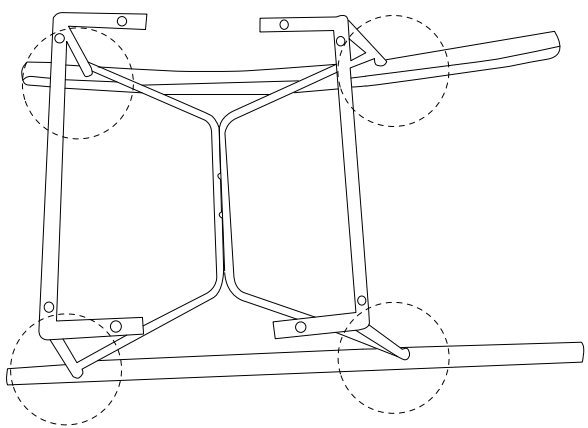
1

<b>B1</b>  x 1	<b>B2</b>  x 1	<b>G</b>  M6 x 25 x 2	<b>H</b>  x 1
---	---	---	--

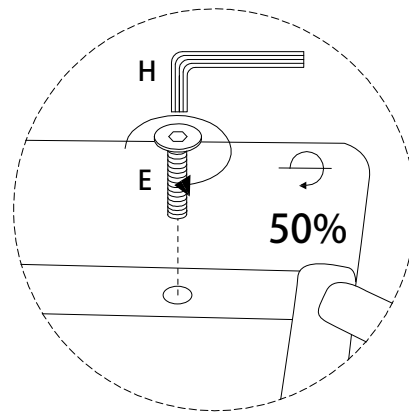
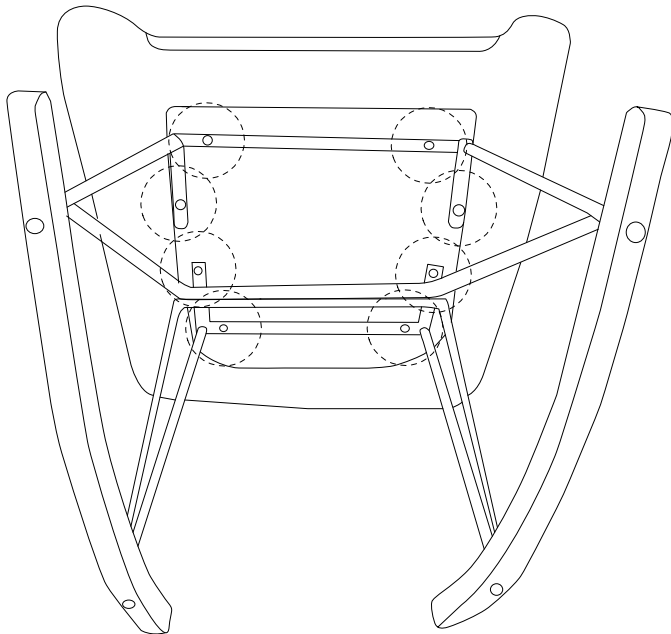
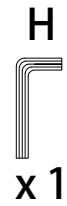
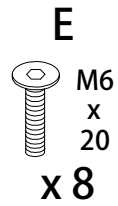


2

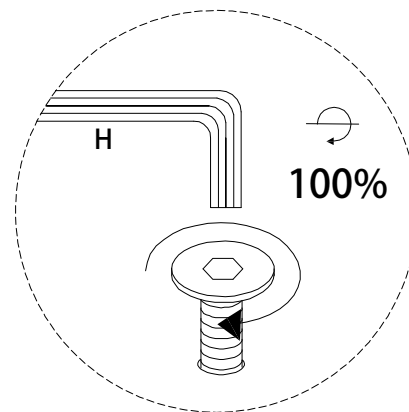
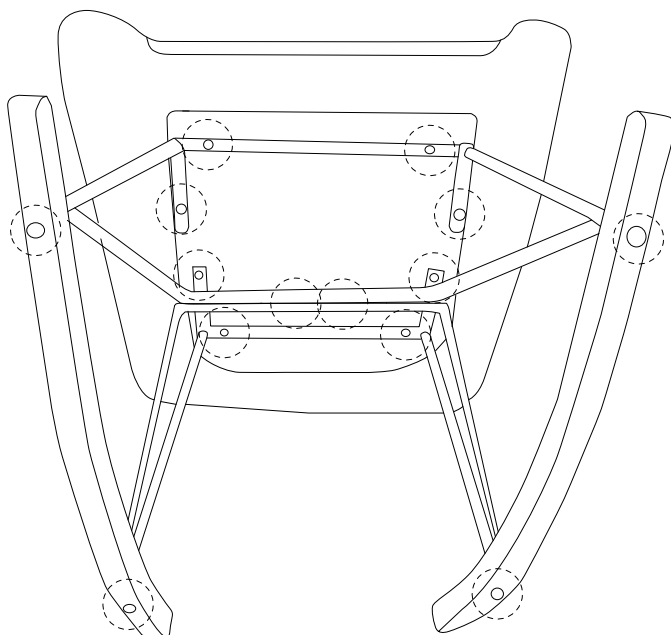
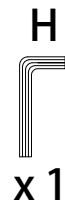
<b>C</b>  x 2	<b>F</b>  M6 x 40 x 4	<b>H</b>  x 1
--	--	--



3



4



5

D



x1

