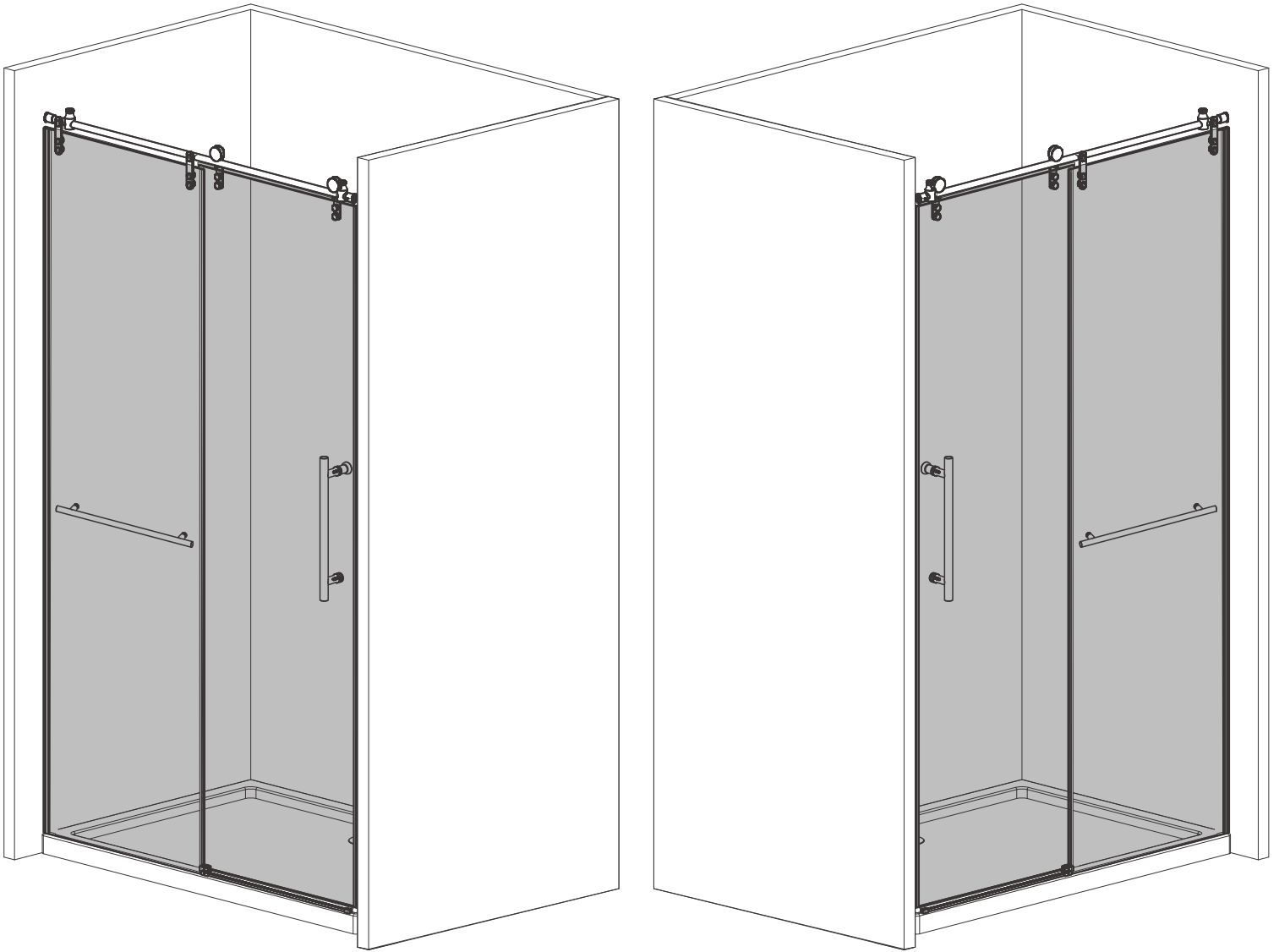
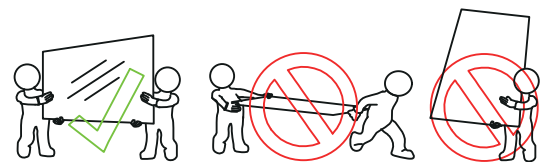


# INSTALLATION MANUAL






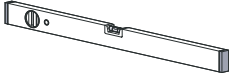
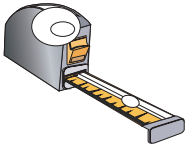
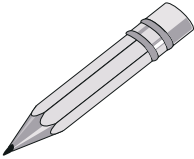
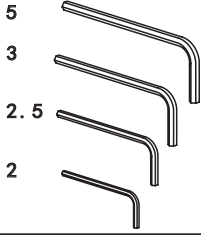
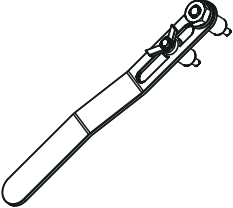


|        |             |         |
|--------|-------------|---------|
| PF-125 | 1524X1676MM | 60"X66" |
|        | 1524X1930MM | 60"X76" |
|        | 1372X1930MM | 54"X76" |
|        | 1219X1930MM | 48"X76" |



**NOTE: Installation Requires 2 People**

## Tools and Materials

|  |   |  |   |   |
|--|---|--|---|---|
|  |  | <br><div style="background-color: black; color: white; padding: 2px; font-size: 8px; width: fit-content;">           Ø 6mm    15/64"<br/>           Ø 8mm    5/16"         </div> |  |  |
| <b>Knife</b>   | <b>Hack Saw</b>   | <b>Drill</b>   | <b>Caulk Gun</b>  | <b>Screwdriver</b>  |
|  |  |   |  |  |
| <b>Level</b>   | <b>Tape Measure</b>   | <b>Pencil</b>  | <b>Allen Key</b>  | <b>Adjustment Wrench</b>  |

## Before You Begin

⚠ CAUTION: Risk of injury. Always wear safety glasses when cutting or drilling.

⚠ CAUTION: Risk of injury or product damage. Tempered glass cannot be cut.

- Before starting the installation, lay out and identify the parts. Inspect them for damage.
- The bath/shower or receptor should be installed/prepared at this time, including finished wall materials.

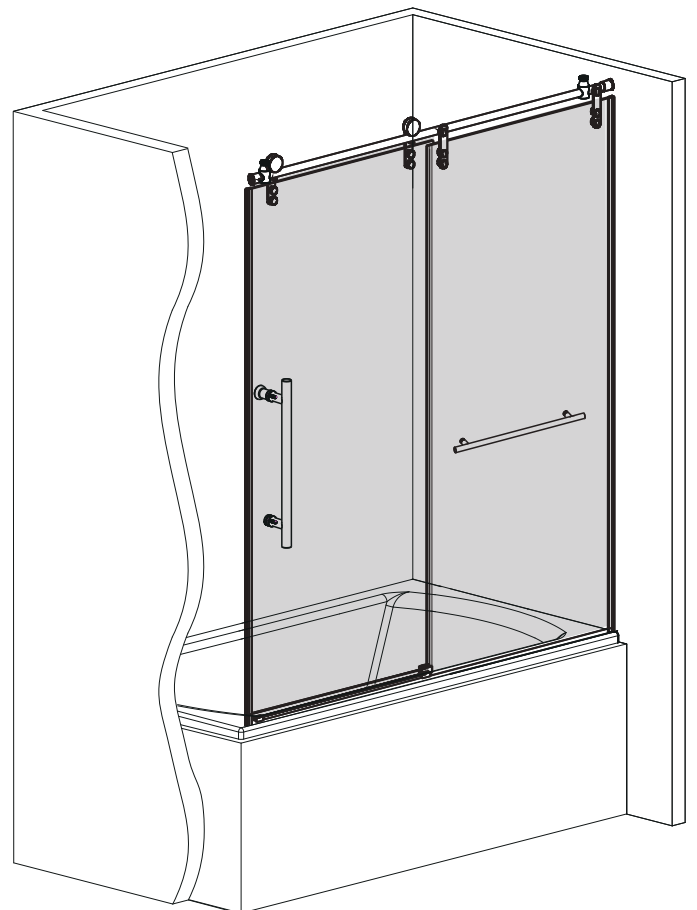
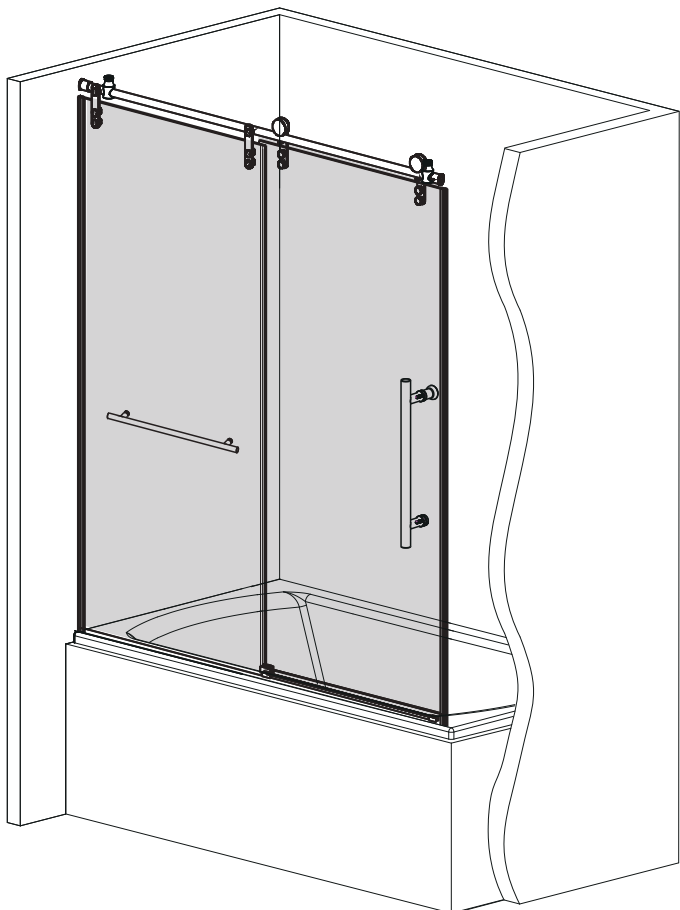
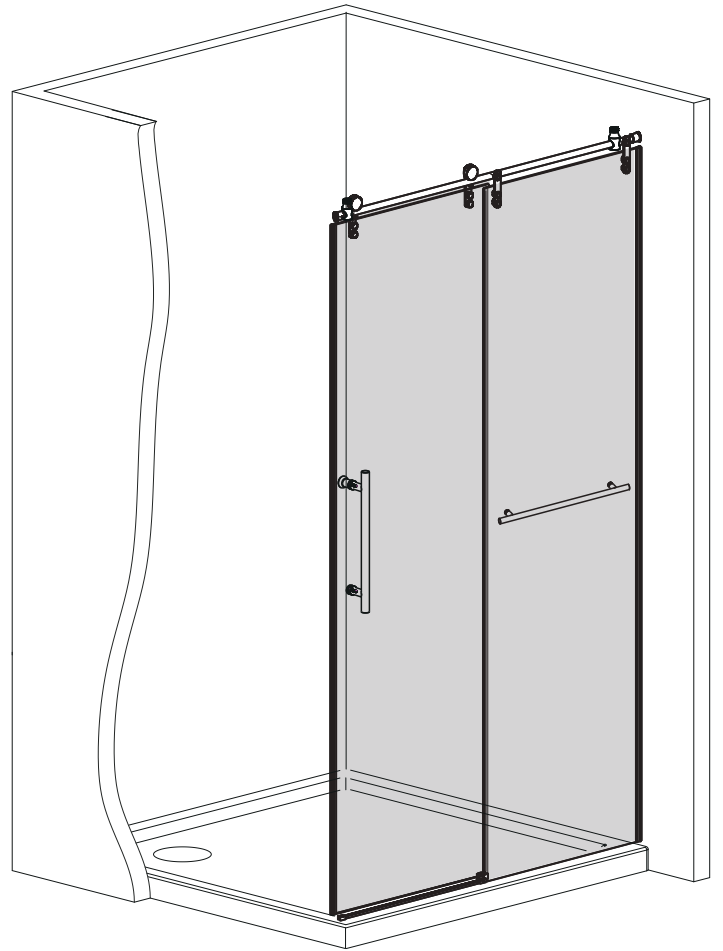
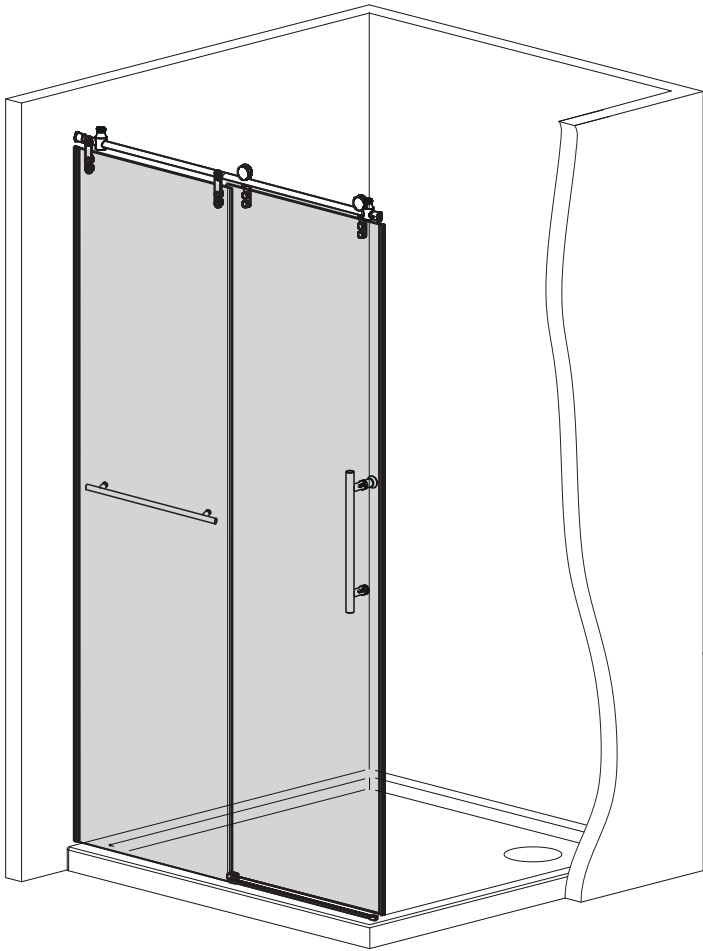
## Shower Door Care

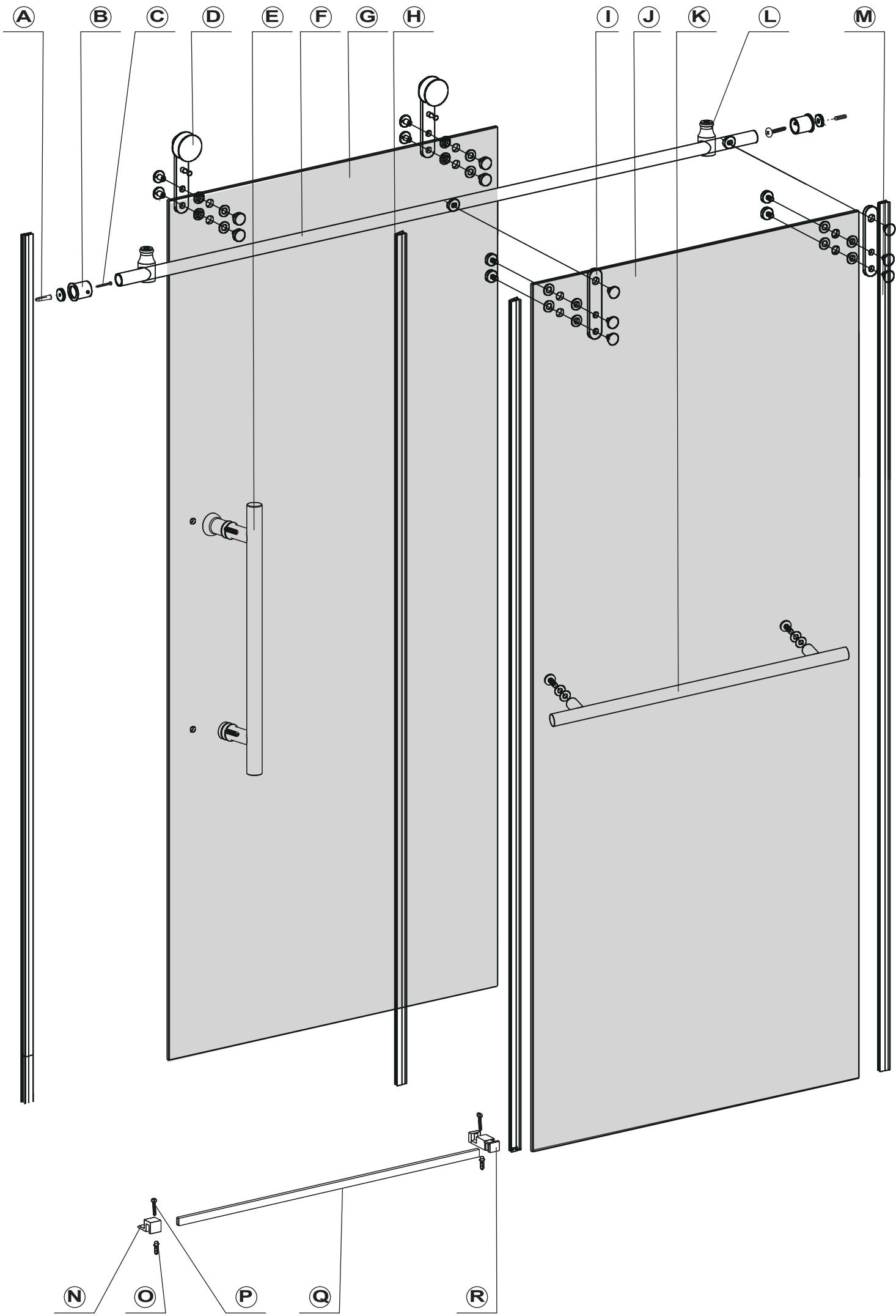
Do not use abrasive pads or sharp tools on any metal parts or glass surfaces.

To maintain a clean and like-new appearance, wipe with diluted mild soap and water.


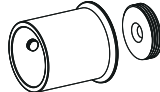
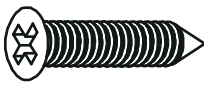
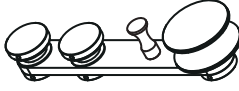

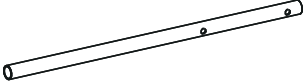



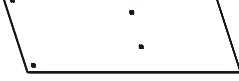
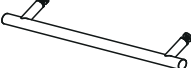


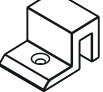




We recommend using a squeegee to dry the glass panels after each use.

# Universal Manual – Applicable to the Following Configurations



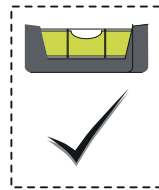
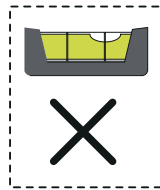
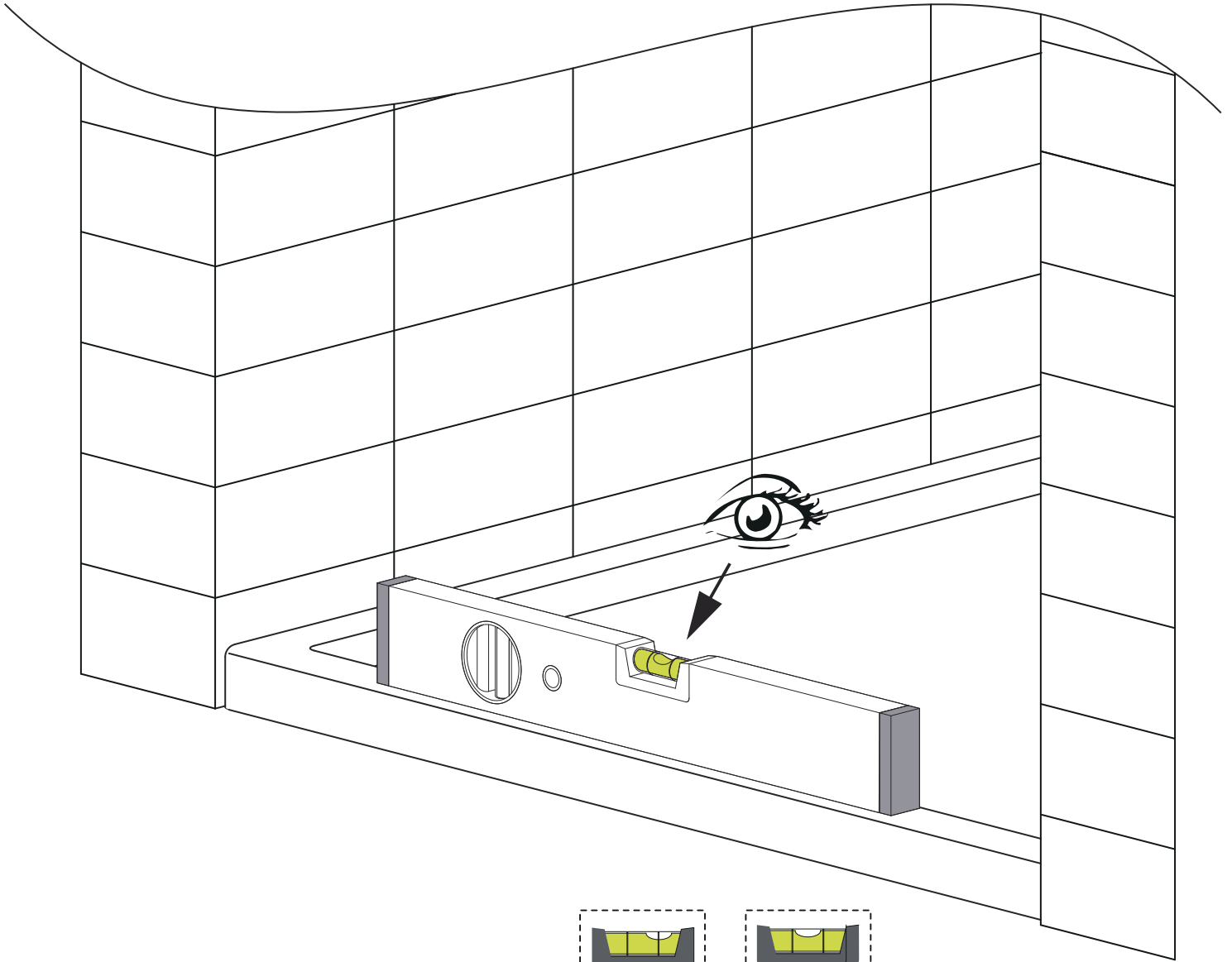


◆ Parts List

| PART# | DESCRIPTION                  | DIAGRAM   | QTY |
|-------|------------------------------|---|-----|
| A     | Wall Anchors $\varnothing 8$ |    | x2  |
| B     | Top Track Bracket            |    | x2  |
| C     | Screw ST 5X35mm              |    | x2  |
| D     | Roller                       |     | x2  |
| E     | Handle                       |     | x1  |
| F     | Top Track                    |     | x1  |
| G     | Sliding Glass Panel          |     | x1  |
| H     | Center Seal                  |  | x2  |
| I     | Fixed Panel Bracket          |   | x2  |
| J     | Fixed Glass Panel            |  | x1  |
| K     | Towel Bar                    |  | x1  |
| L     | Locator                      |  | x2  |
| M     | Side Seal                    |  | x2  |
| N     | Bottom Guide Block           |  | x1  |
| O     | Wall Anchors $\varnothing 6$ |  | x2  |
| P     | Screw ST 4X30mm              |   | x2  |
| Q     | Waterproof Threshold         |  | x1  |
| R     | Bottom Connector             |  | x1  |

# STEP 1

## Make Sure Base Is Level






THE INSTALLATION SHOWN IS BASED ON PLUMB FINISHED WALLS AND A LEVELLED BASE. IF THESE CONDITIONS ARE NOT MET, PLEASE ADJUST ACCORDINGLY.

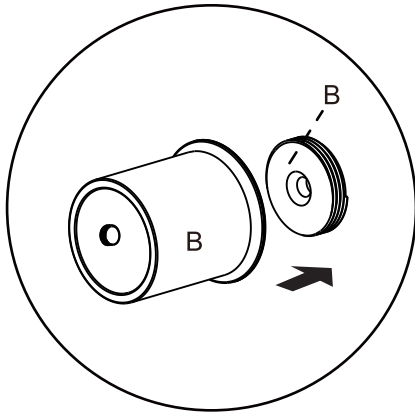
# STEP 2

## Install Top Track Bracket on Both Sides

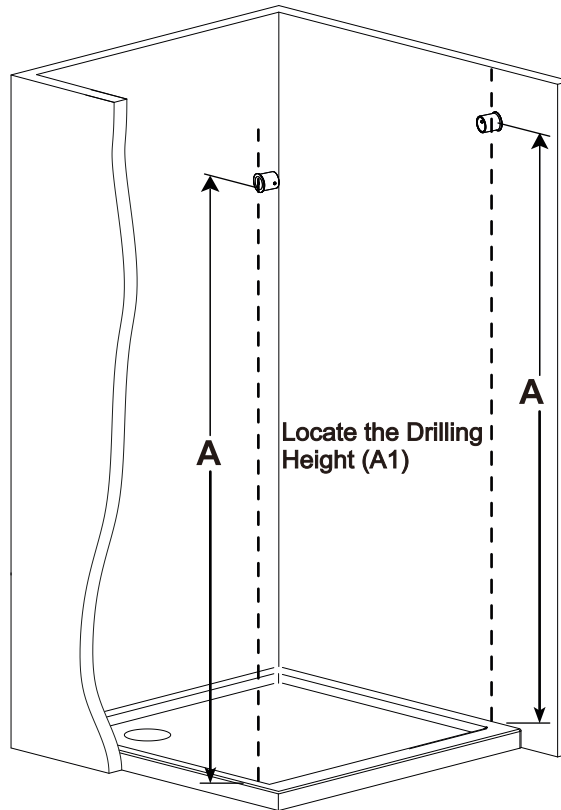
| Product Height | Drilling Height (A) |
|----------------|---------------------|
| 66"(1676mm)    | 63 2/3"(1618mm)     |
| 76"(1930mm)    | 73 2/3"(1872mm)     |

\*A1 = Product Height - 22 5/6"(58mm)

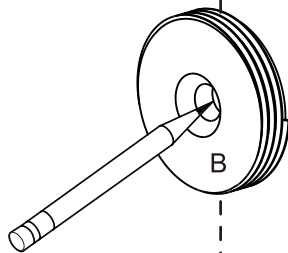
|     |   |    |
|-----|---|----|
| (A) |  | x2 |
| (B) |  | x2 |
| (C) |  | x2 |



Disassemble the Top Track Bracket (B) and Install Part B<sub>1</sub> onto the Wall

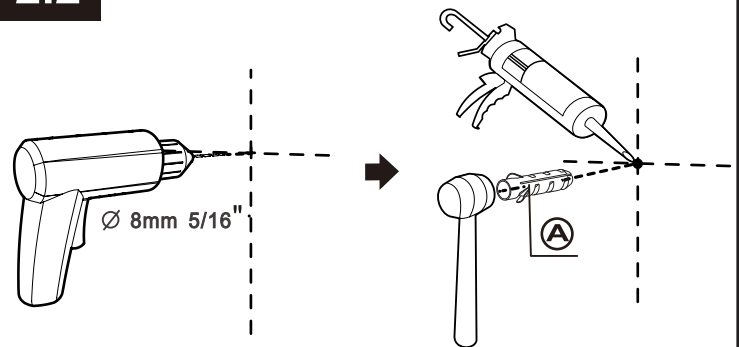


2.1



Mark the Locations

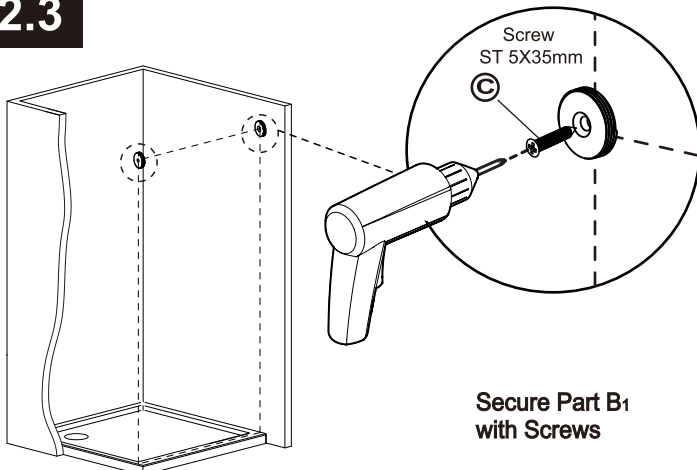
2.2



Drill Holes

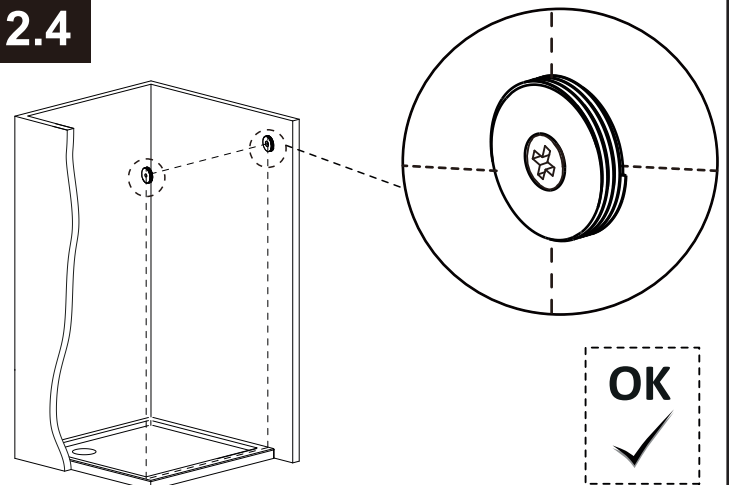
Add a Bit of Silicone and Insert Wall Anchors

2.3



Secure Part B<sub>1</sub> with Screws

2.4



# STEP 3

## Measure and Cut the Top Track

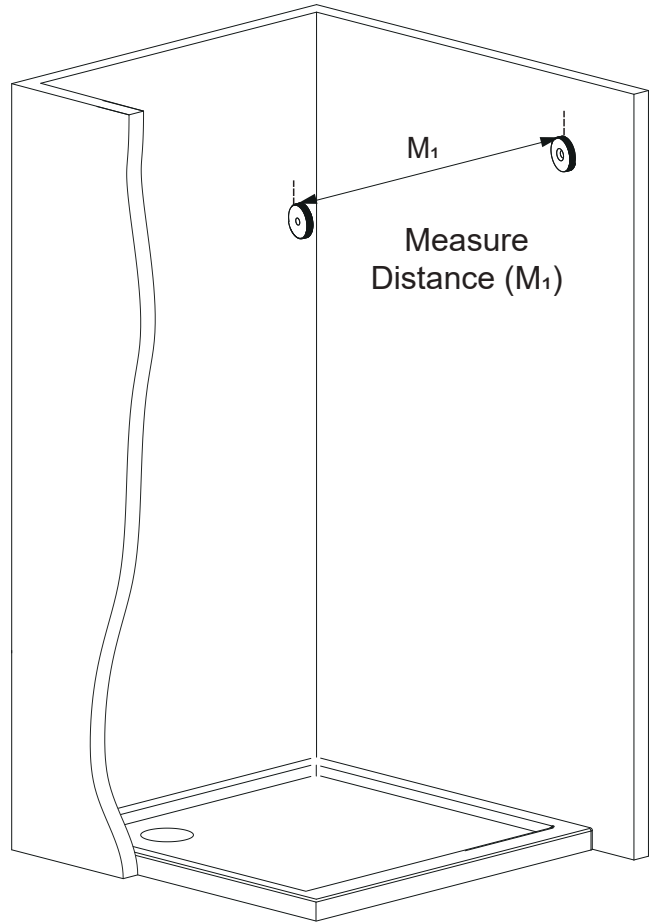
F



x1

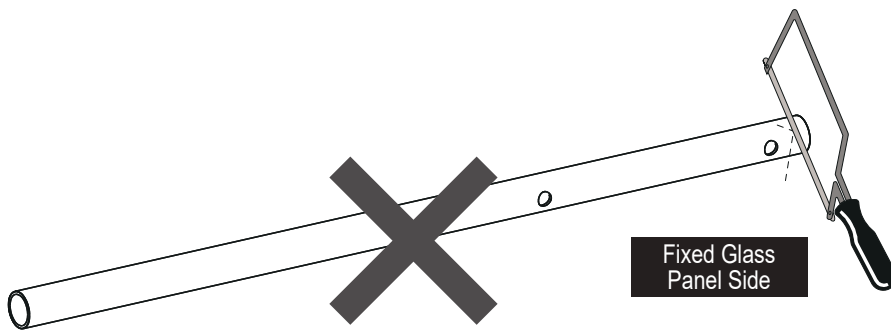


THE INSTALLATION SHOWN IS BASED ON PLUMB FINISHED WALLS AND A LEVELLED BASE. IF THESE CONDITIONS ARE NOT MET, PLEASE ADJUST ACCORDINGLY.



M<sub>1</sub>

Measure Distance (M<sub>1</sub>)



Fixed Glass Panel Side

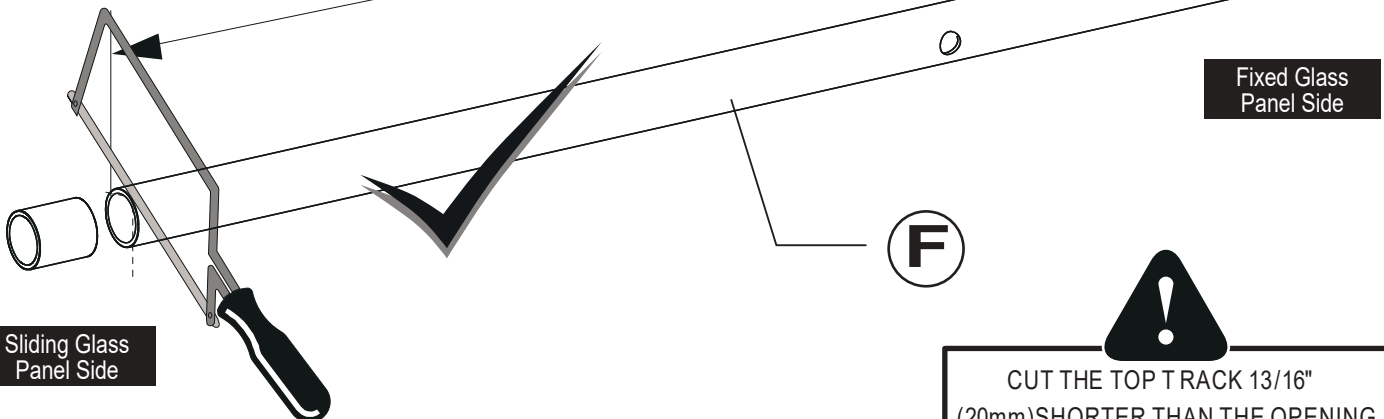
Sliding Glass Panel Side



Note: Only cut the end facing the Sliding Glass Panel Ⓞ.

Do not cut the end facing the Fixed Glass Panel Ⓟ.

Track length = M<sub>1</sub> - 13/16" (20mm)



Fixed Glass Panel Side

Sliding Glass Panel Side

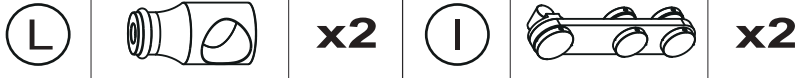
F



CUT THE TOP TRACK 13/16" (20mm) SHORTER THAN THE OPENING

# STEP 4

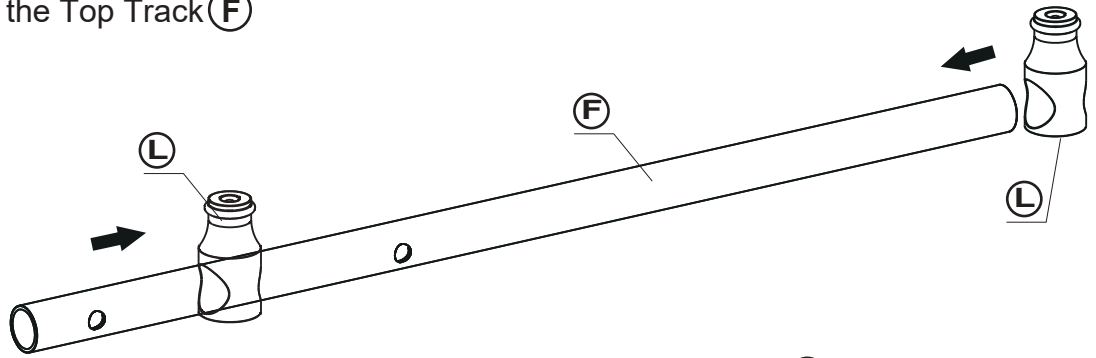
## Prepare the Top Track



Insert Locators (L) into the Top Track (F)

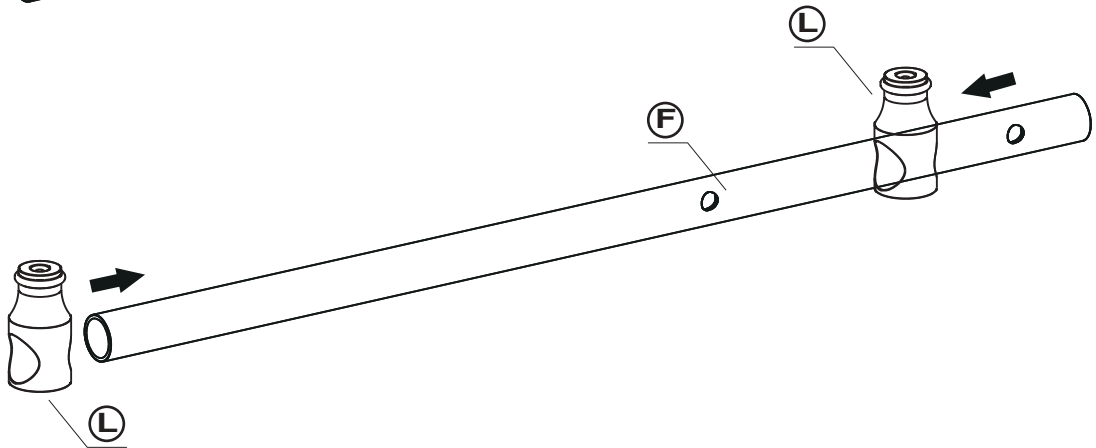
### Option 1

When the fixed panel is installed on the left side



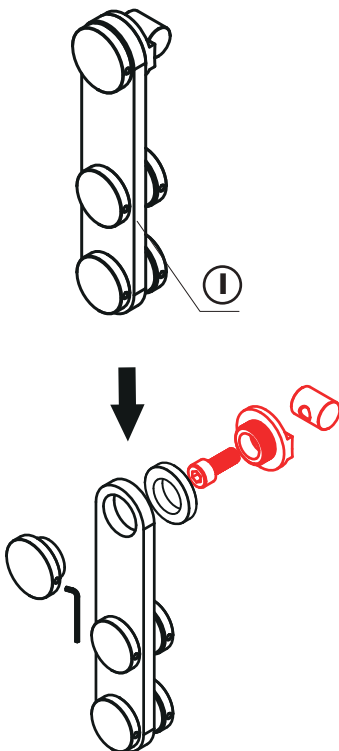
### Option 2

When the fixed panel is installed on the right side

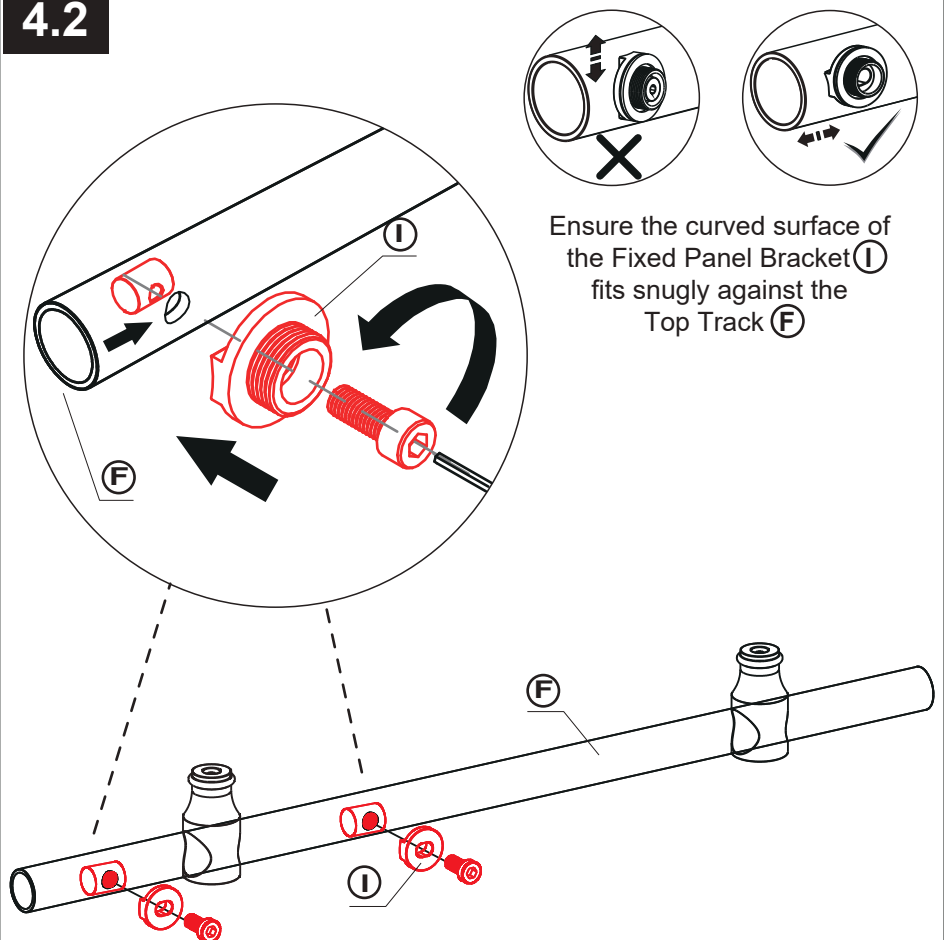


### 4.1

Disassemble Fixed Panel Bracket (I)



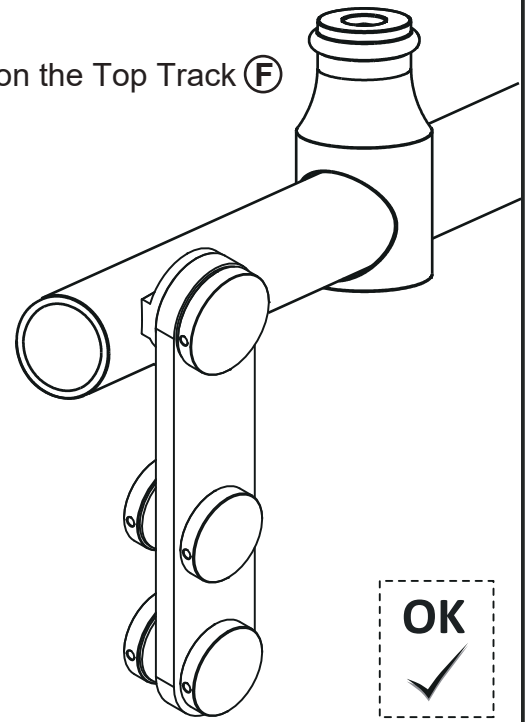
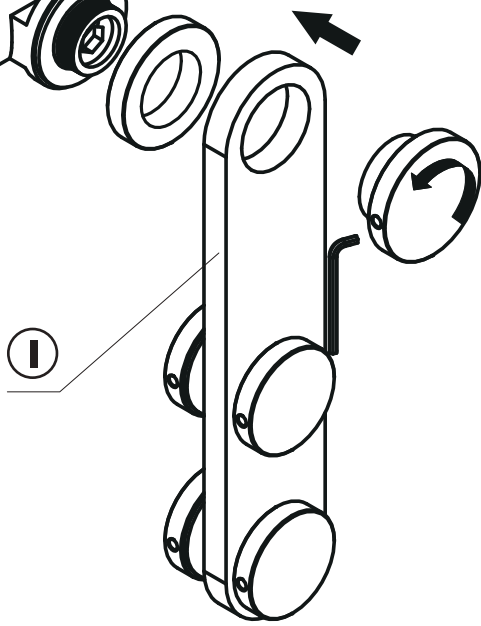
### 4.2



Ensure the curved surface of the Fixed Panel Bracket (I) fits snugly against the Top Track (F)

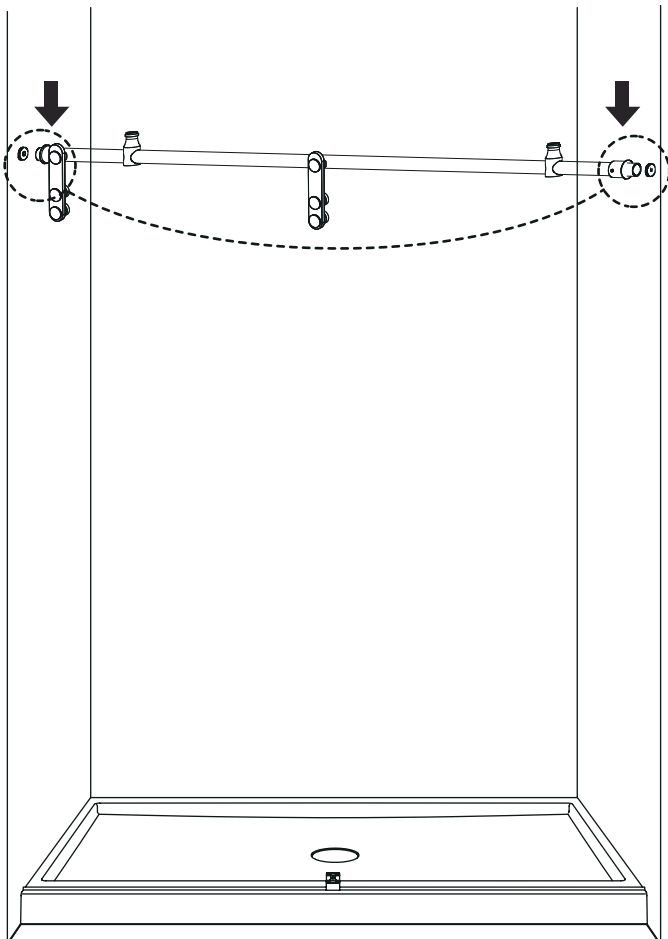
4.3

Assemble Fixed Panel Bracket (I) on the Top Track (F)

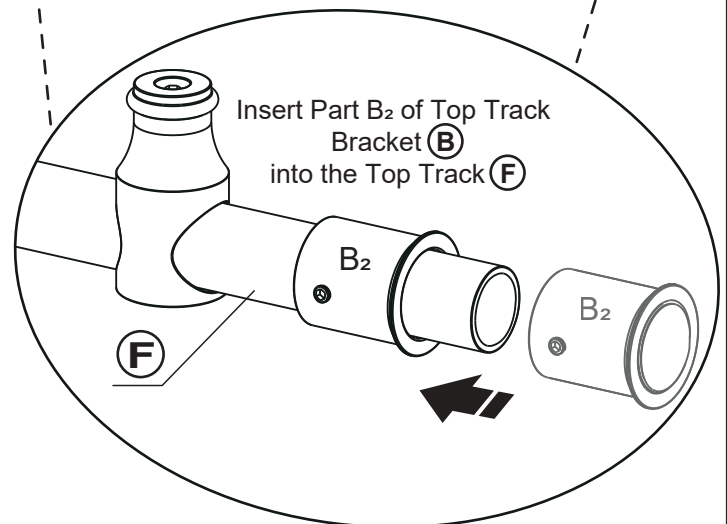
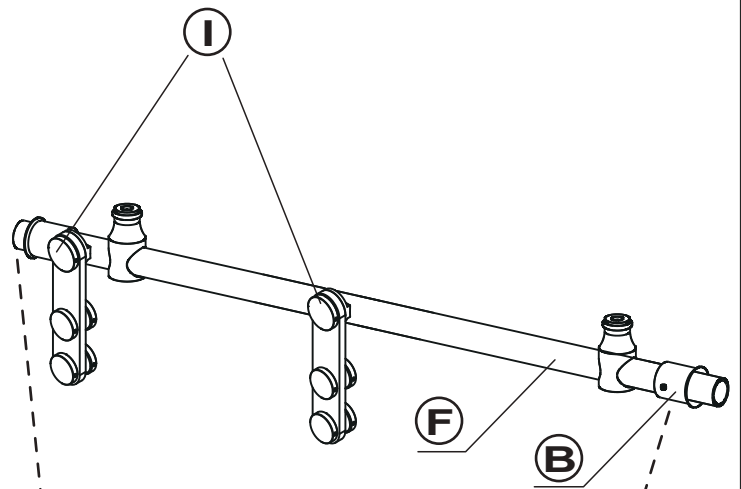


### STEP 5 Install the Top Track

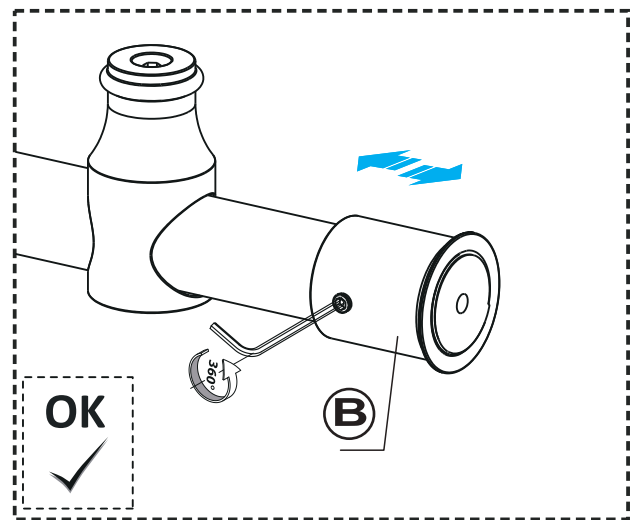
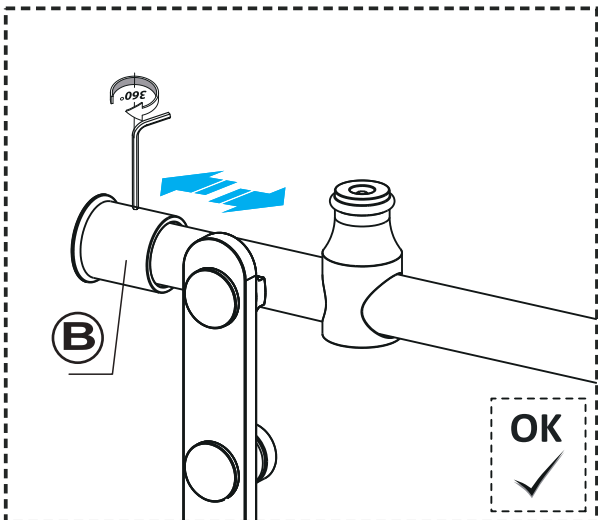
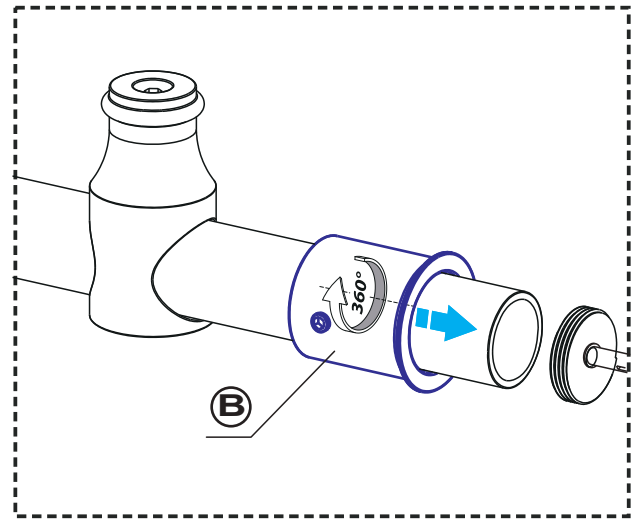
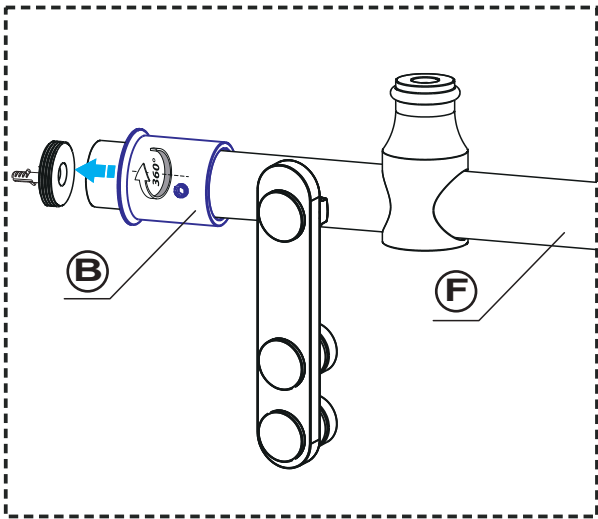
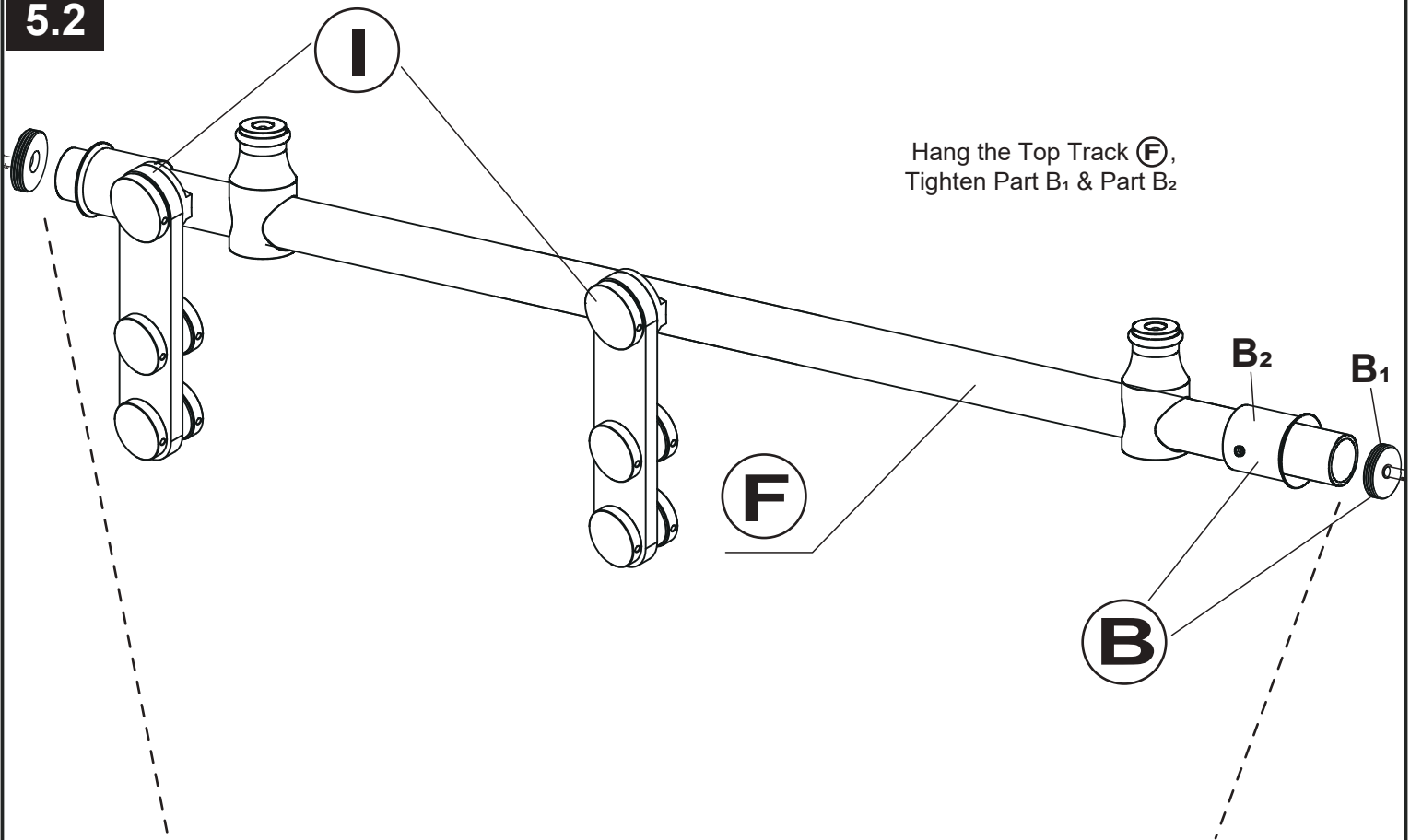
(B)  x2



5.1



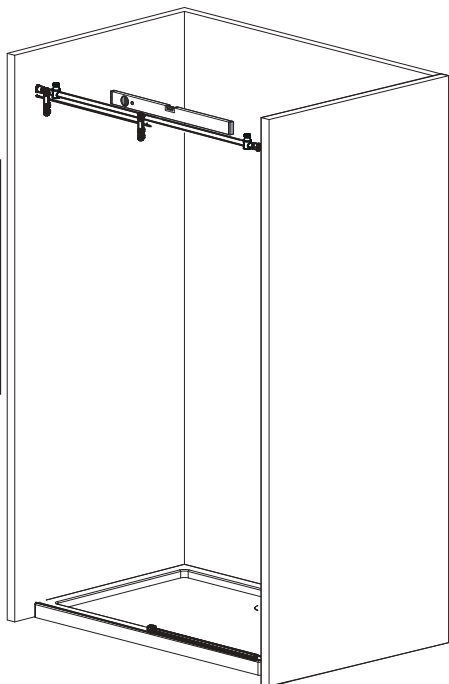
5.2



# STEP 6

## Hang Fixed Glass Panel

|     |   |    |     |   |    |
|-----|---|----|-----|---|----|
| (J) |  | x1 | (M) |  | x1 |
|-----|---|----|-----|---|----|

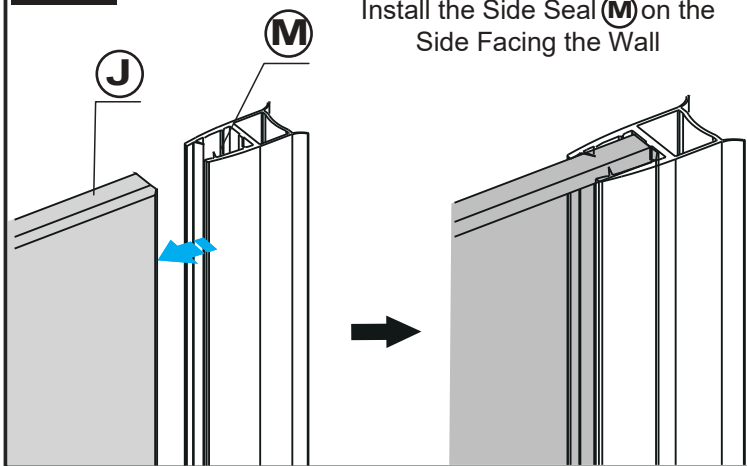


Ensure the Top Track is horizontal. If not, please adjust accordingly.

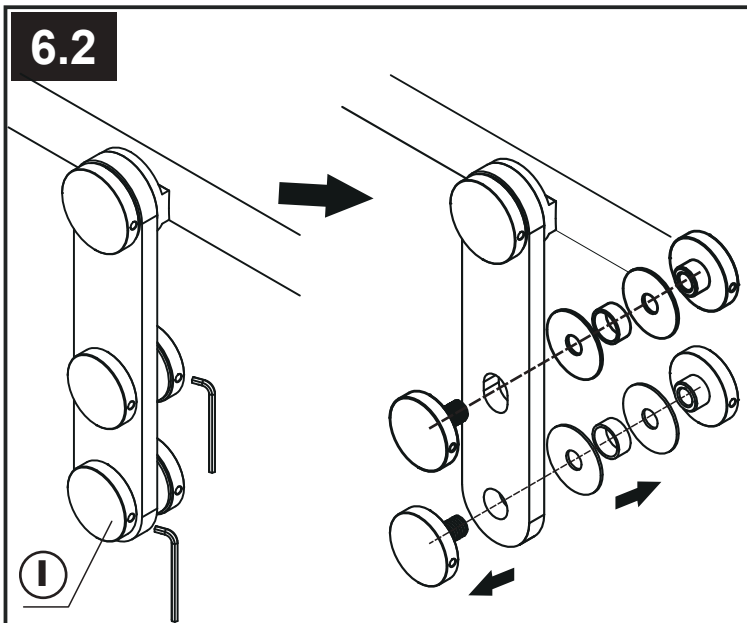


### 6.1

Install the Side Seal (M) on the Side Facing the Wall

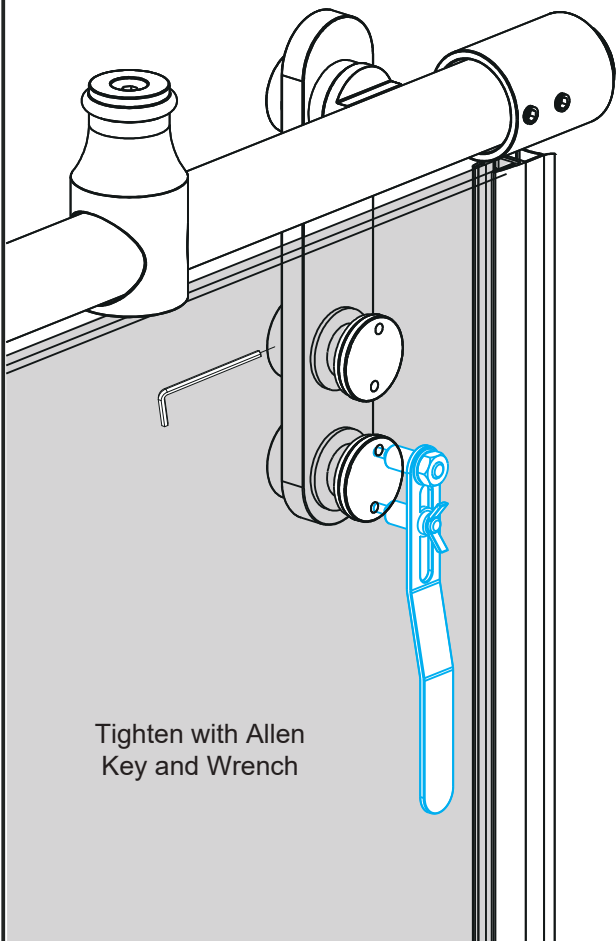


### 6.2



Disassemble Fixed Panel Bracket (I)

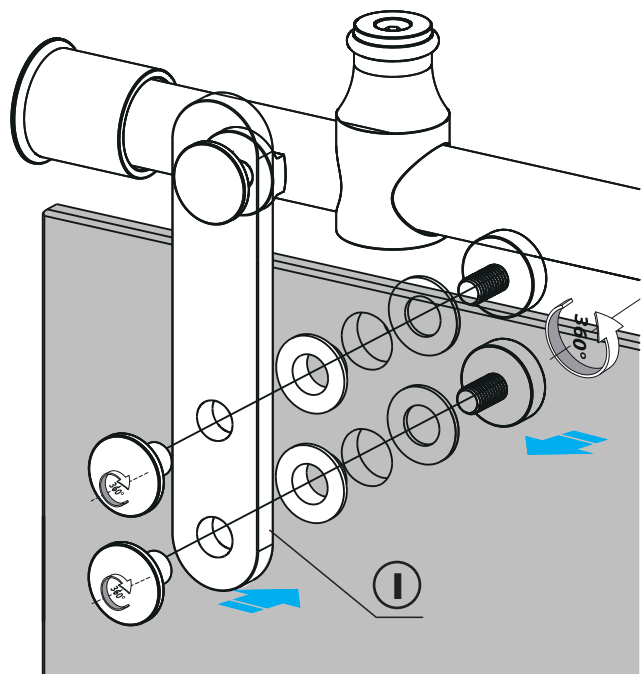
### 6.4



Tighten with Allen Key and Wrench





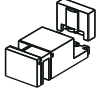
### 6.3

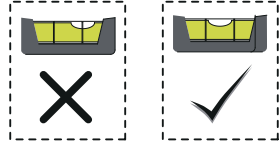
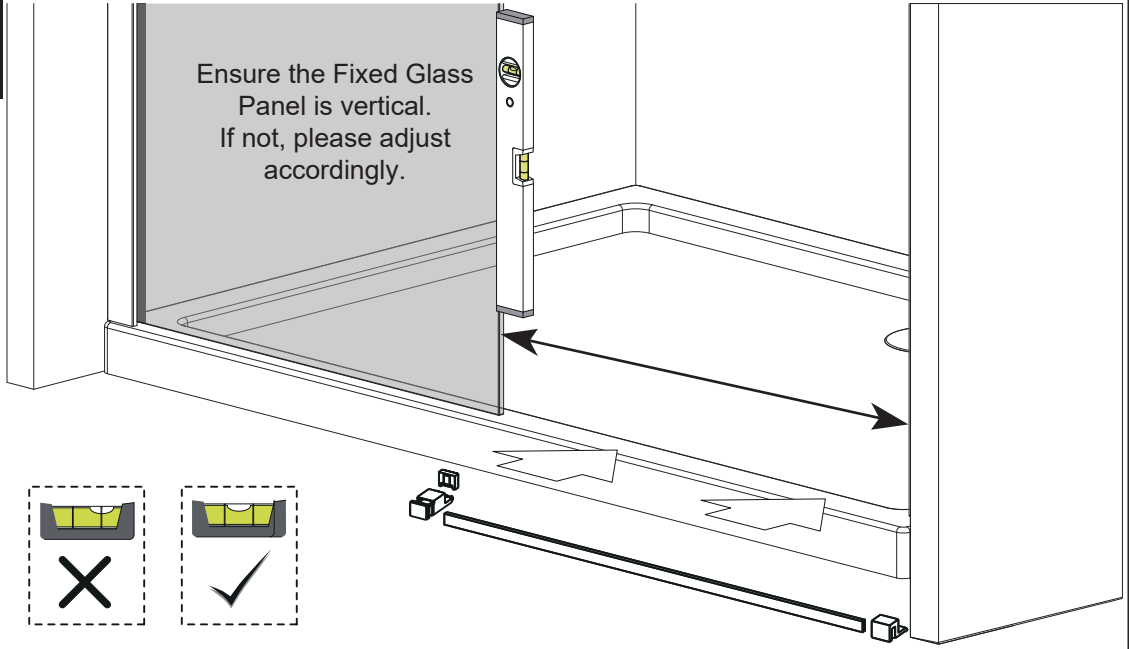
Use all Plastic Washers and Spacers to Protect the Glass



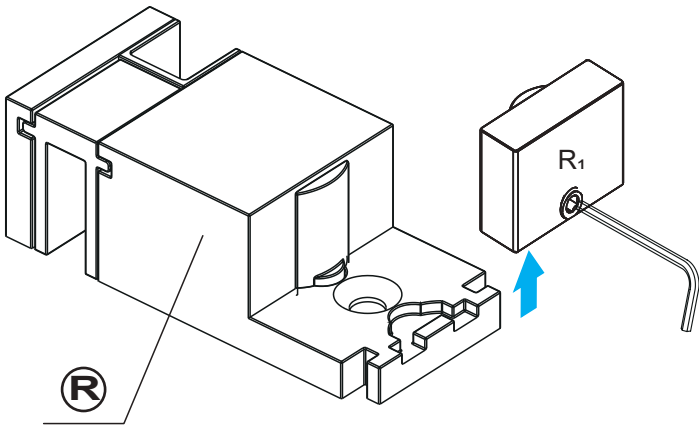
# STEP 7

## Install Waterproof Threshold

|     |   |    |
|-----|---|----|
| (N) |  | x1 |
| (O) |  | x2 |
| (P) |  | x2 |
| (Q) |  | x1 |
| (R) |  | x1 |

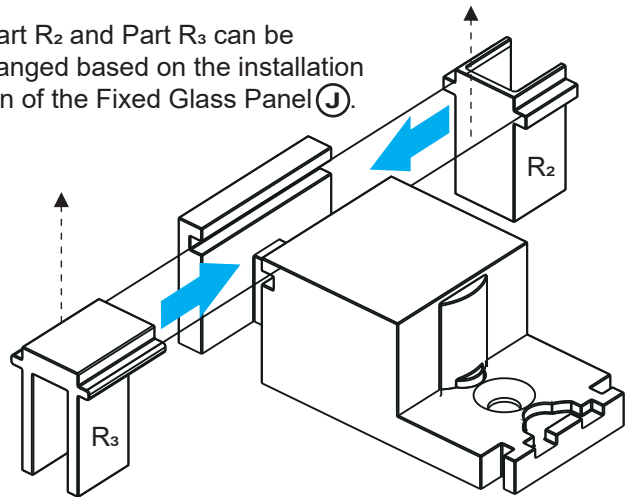


### 7.1 Disassemble & Install Bottom Connector (R)



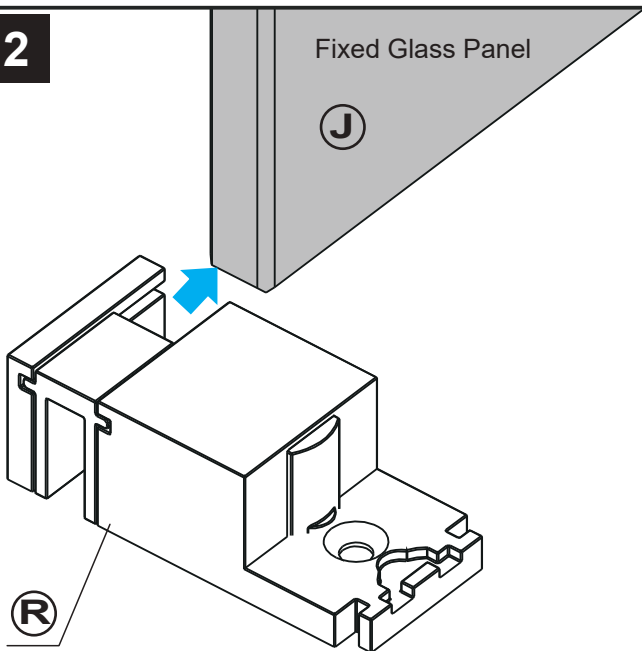
Remove Part R<sub>1</sub> to Secure the Sliding Glass Panel (C) in Step 10.2

Part R<sub>2</sub> and Part R<sub>3</sub> can be interchanged based on the installation position of the Fixed Glass Panel (J).

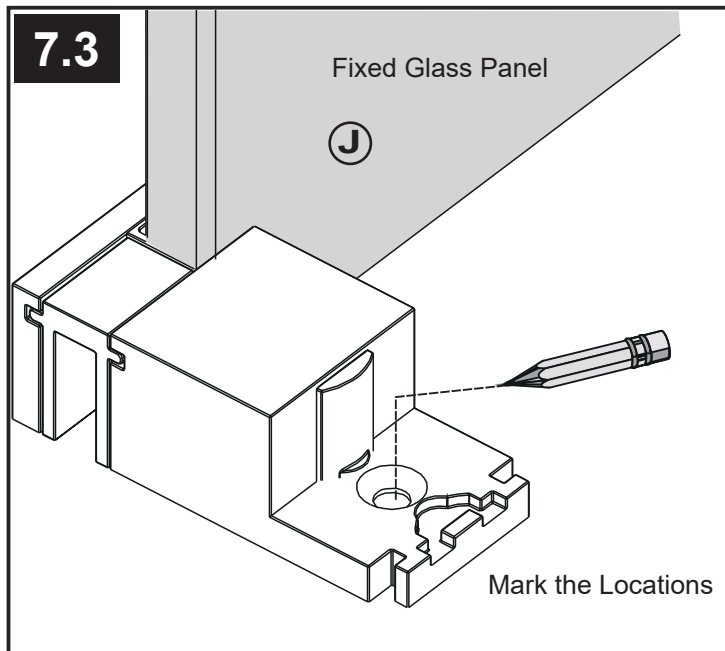


Part R<sub>2</sub>: Used to Secure the Fixed Glass Panel (J) in Place  
Part R<sub>3</sub>: Used to Secure the Waterproof Threshold (Q) in Place

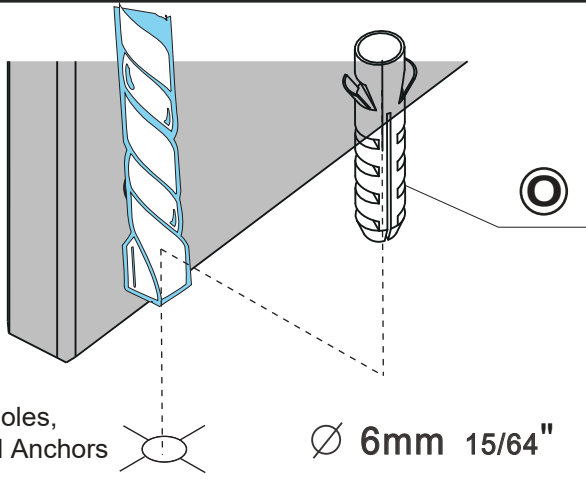
### 7.2



### 7.3



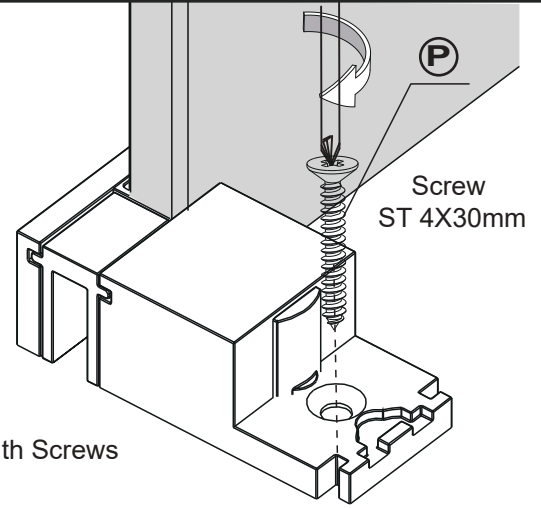
7.4



Drill Holes,  
Insert Wall Anchors

Ø 6mm 15/64"

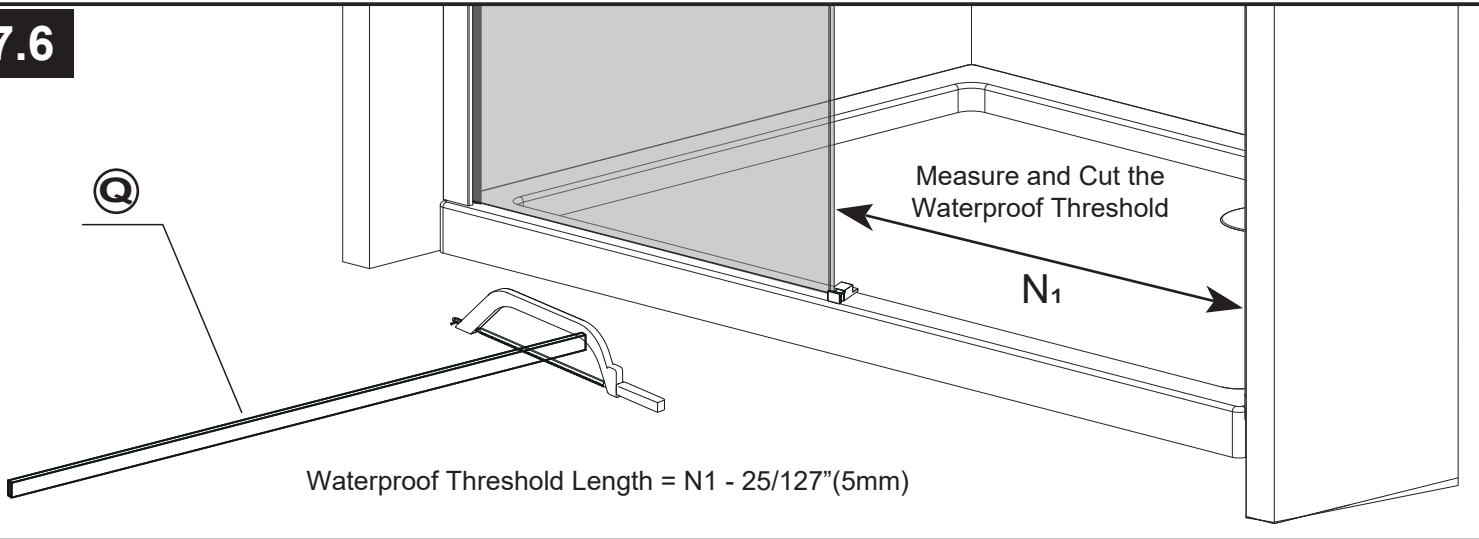
7.5



Secure with Screws

Screw  
ST 4X30mm

7.6



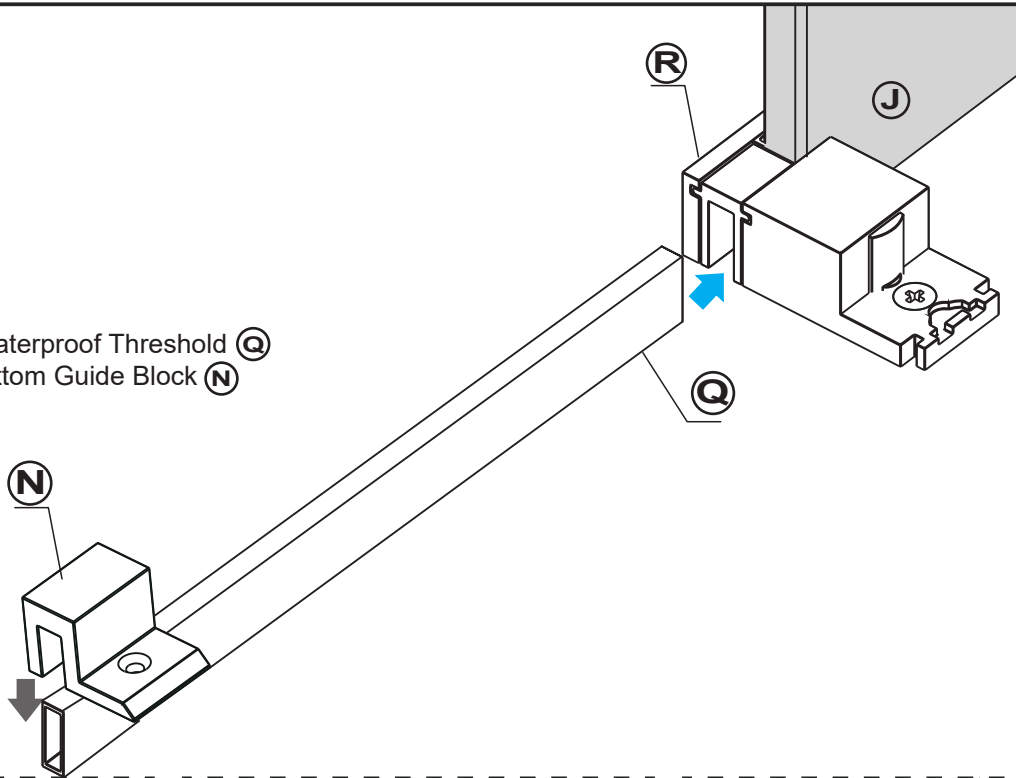
Measure and Cut the  
Waterproof Threshold

N<sub>1</sub>

Waterproof Threshold Length = N<sub>1</sub> - 25/127" (5mm)

7.7

Secure the Waterproof Threshold **Q**  
with the Bottom Guide Block **N**



Mark the  
Locations

Drill Holes,  
Insert Wall Anchors

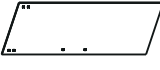
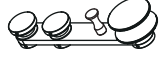
Ø 6mm 15/64"

Secure with  
Screws

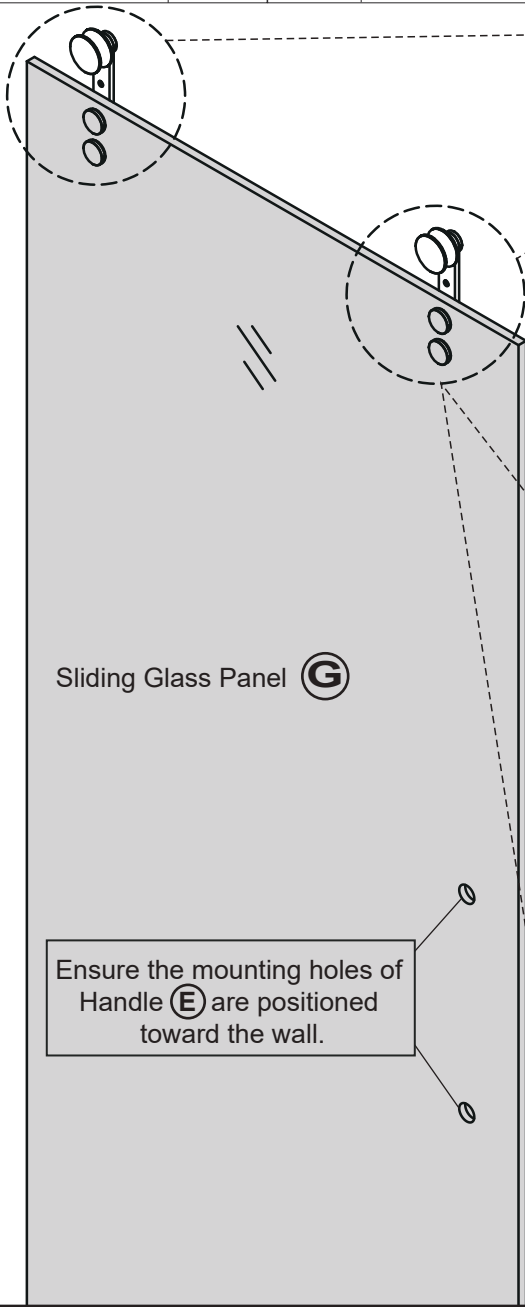
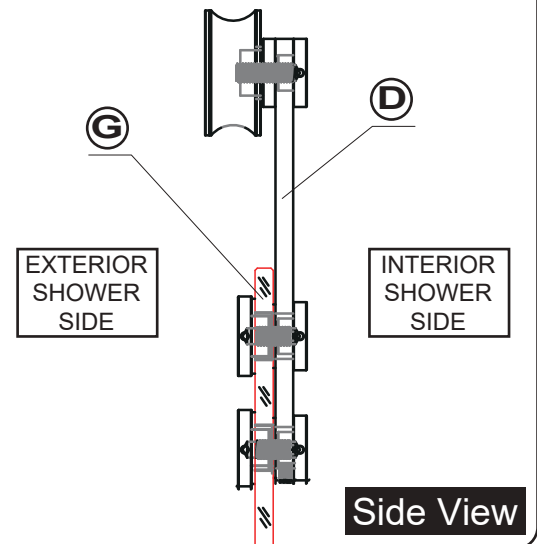
Screw  
ST 4X30mm

# STEP 8

## Install the Rollers on Sliding Glass Panel

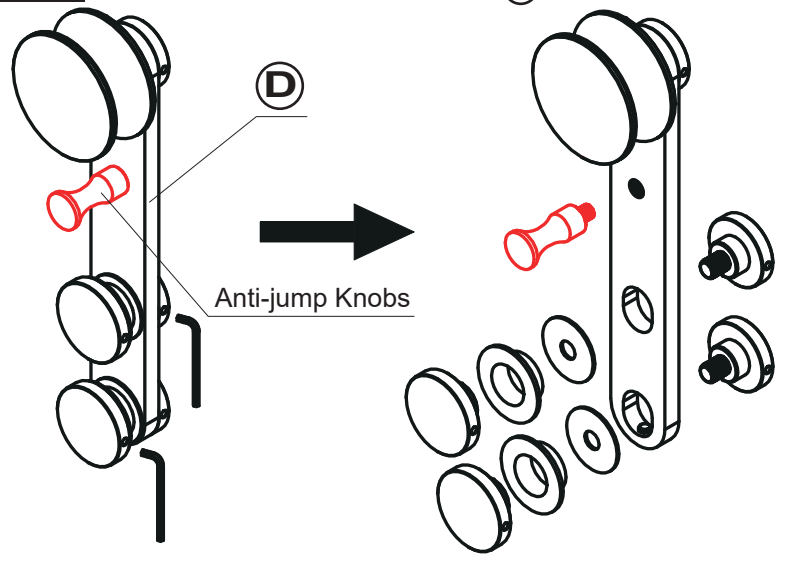
- G**  **x1**
- D**  **x2**

**NOTE:**  
The roller should face outward



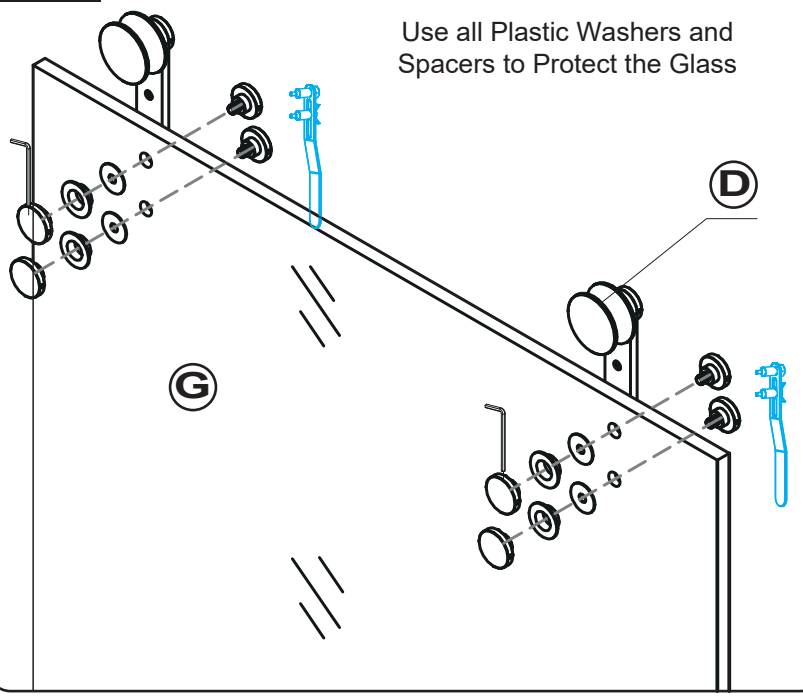
### 8.1

Disassemble the Rollers **D**



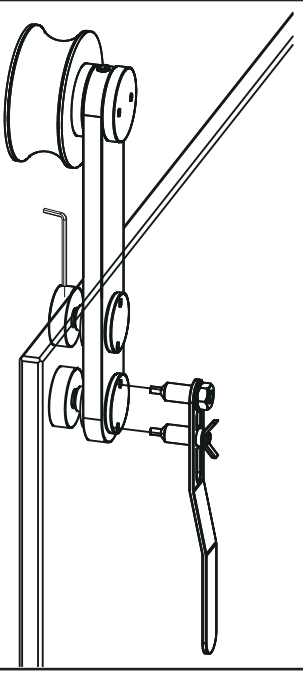
### 8.2

Use all Plastic Washers and Spacers to Protect the Glass



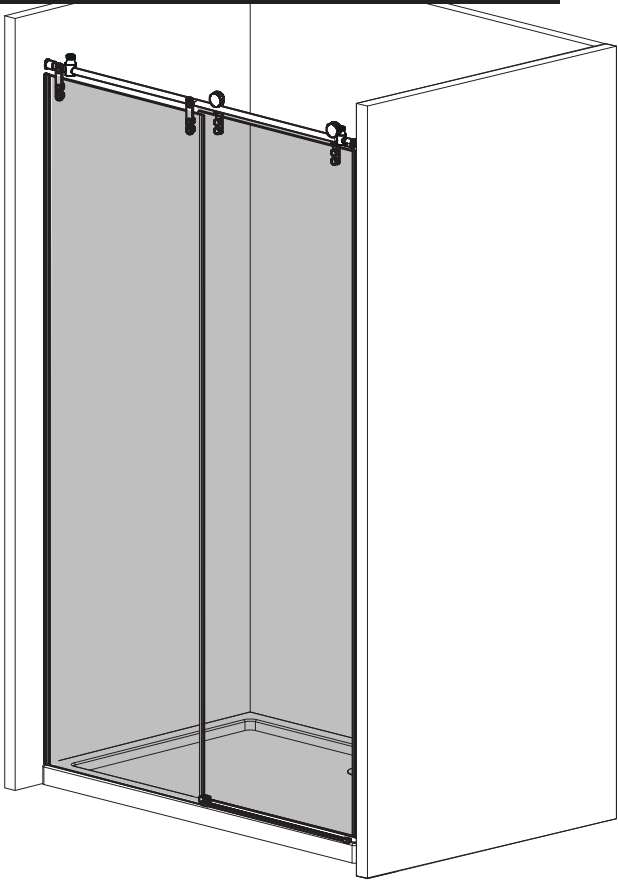
### 8.3

Tighten with Allen Key and Wrench



# STEP 9

## Install Sliding Glass Panel

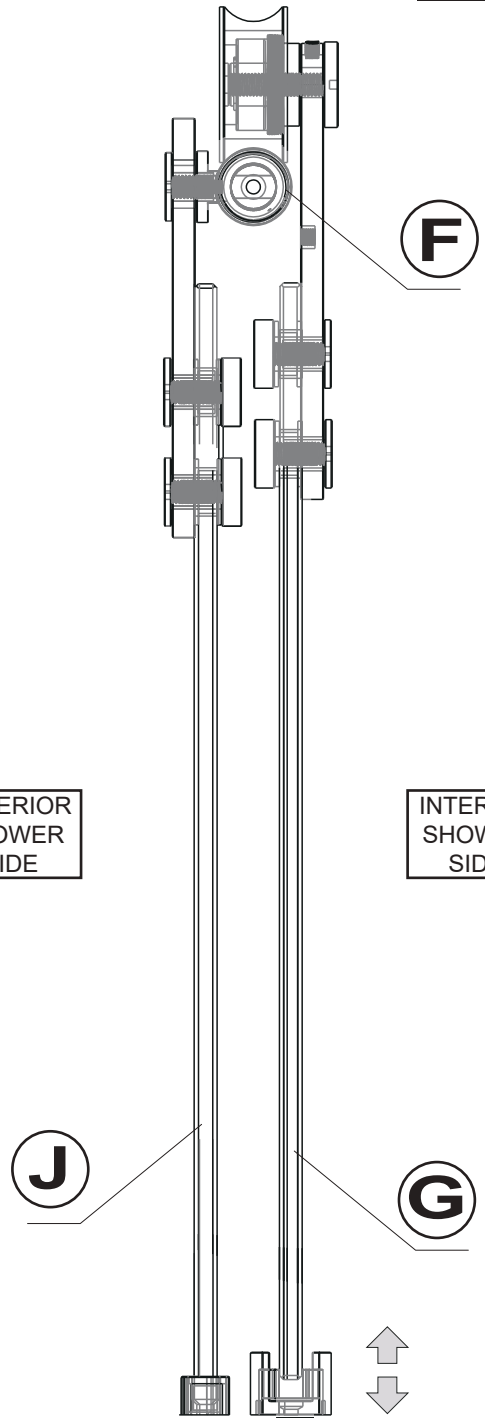


# 9.2

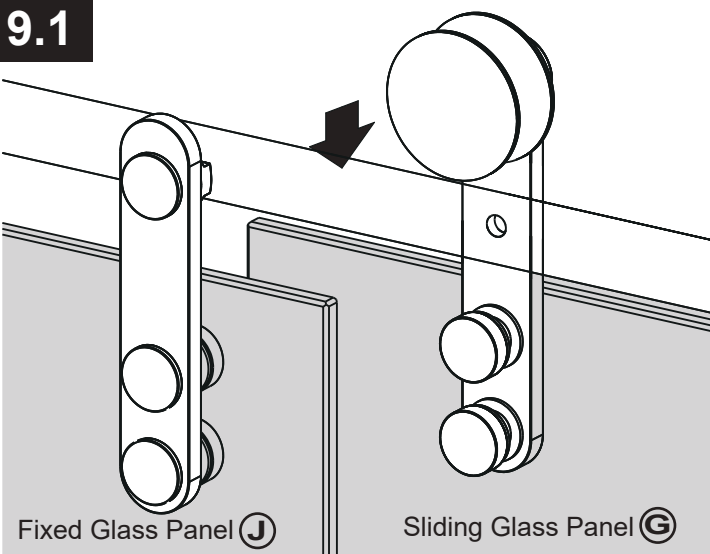
## Side View

EXTERIOR  
SHOWER  
SIDE

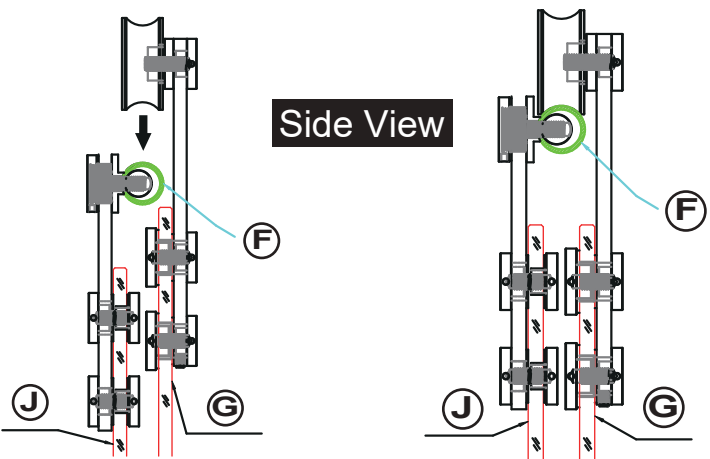
INTERIOR  
SHOWER  
SIDE



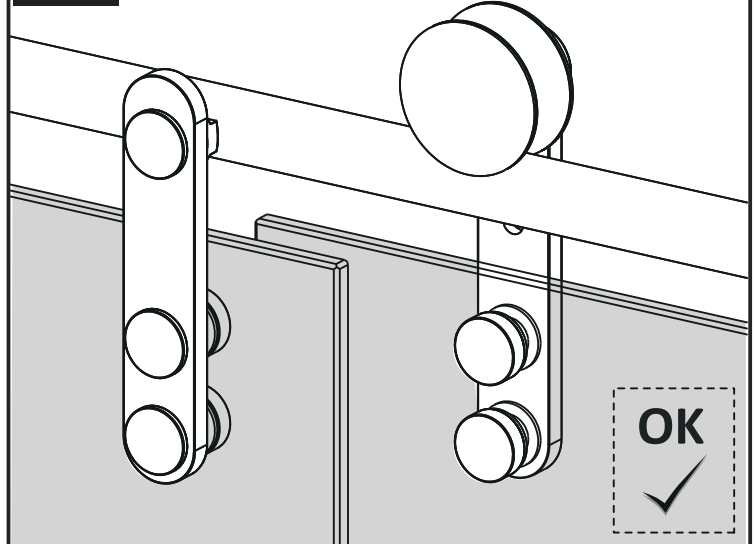
# 9.1



## Side View

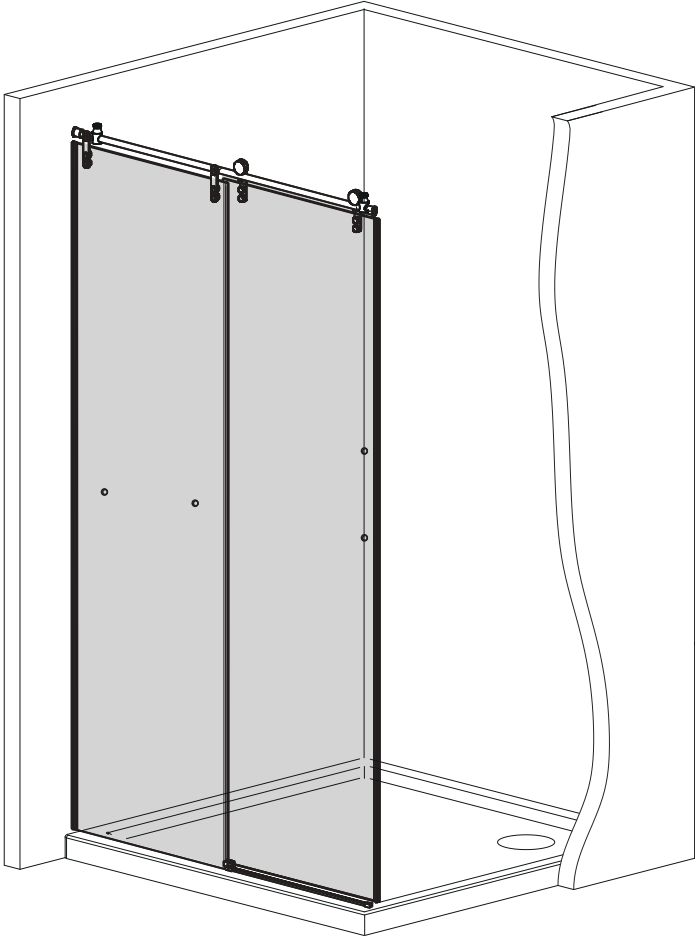


# 9.3

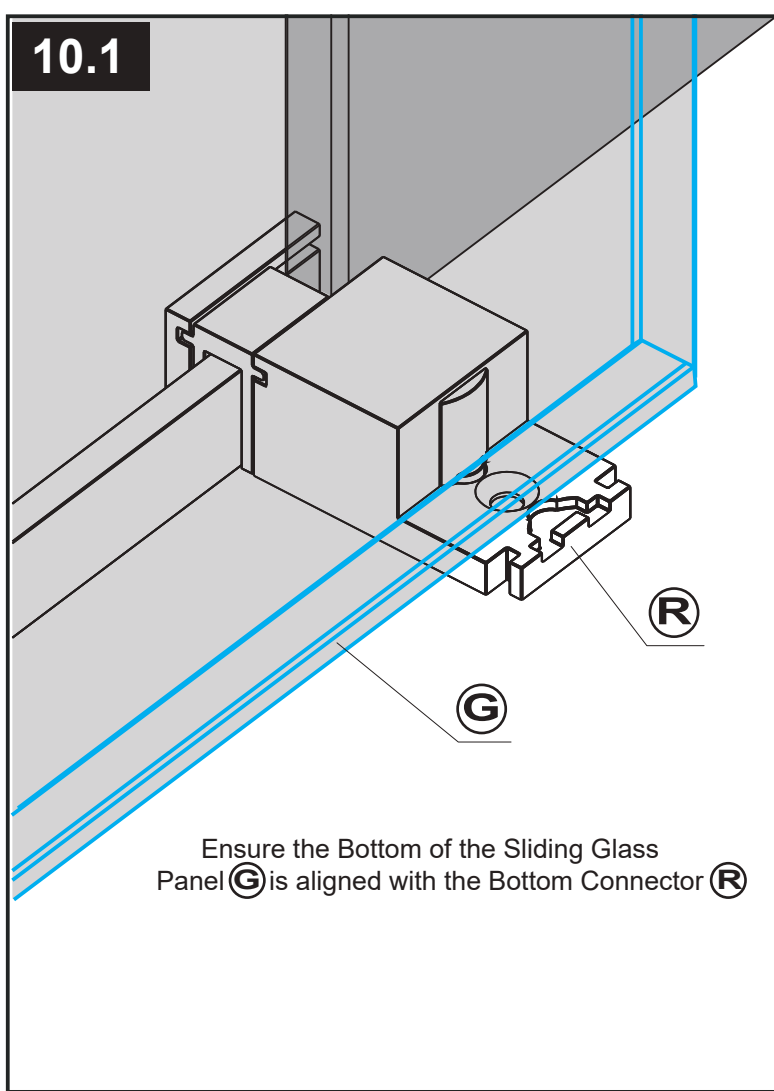


# STEP 10

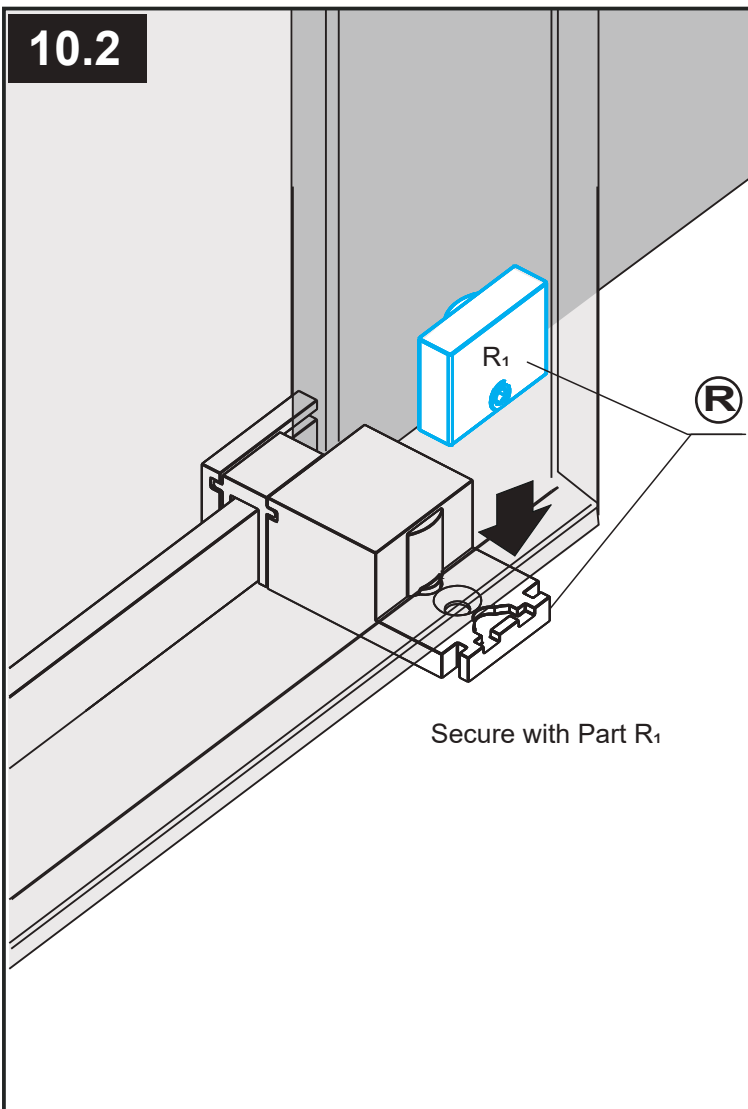
## Secure Sliding Glass Panel



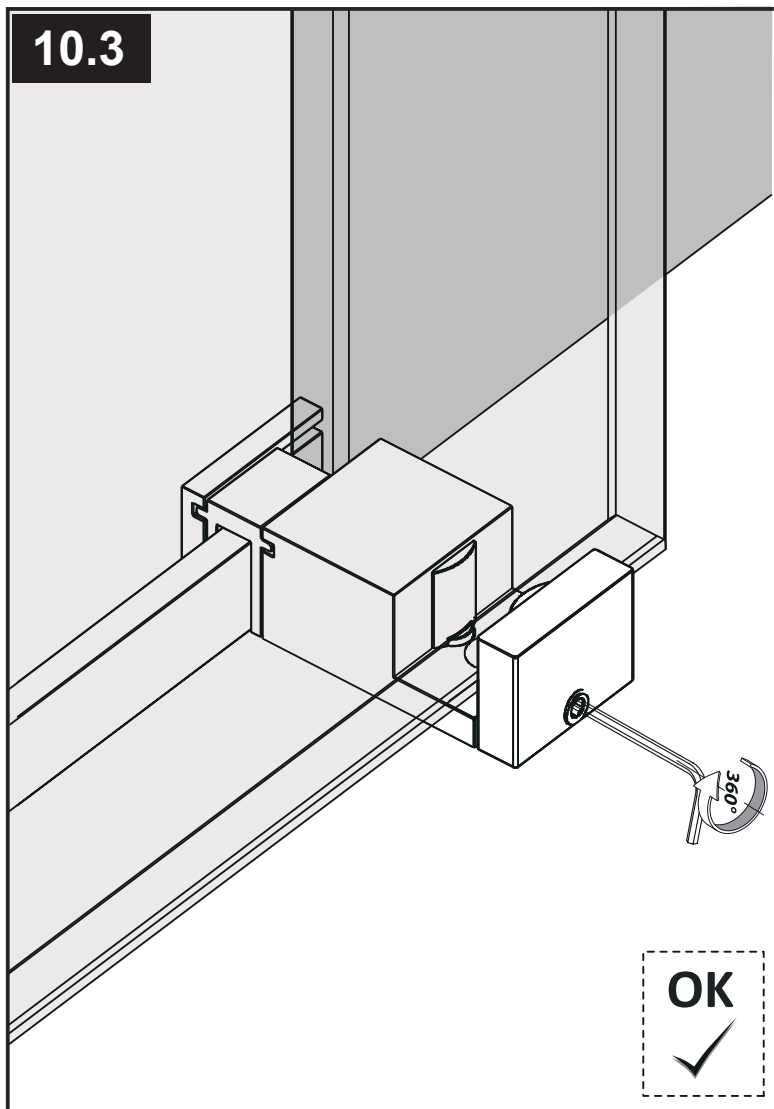
### 10.1



### 10.2

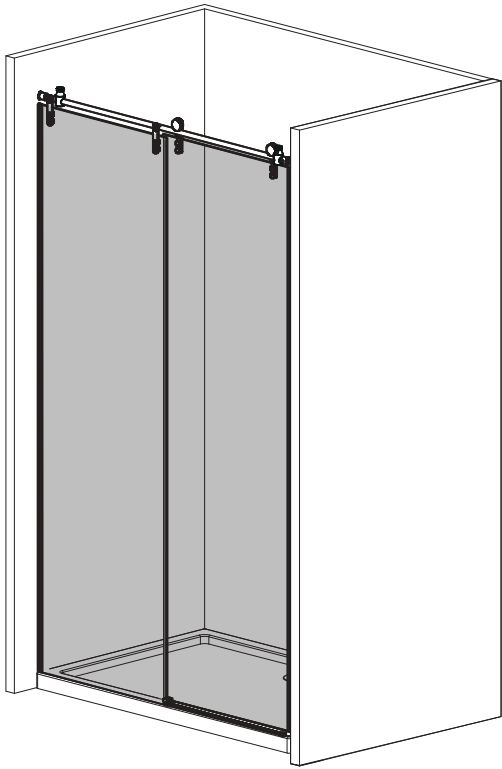


### 10.3

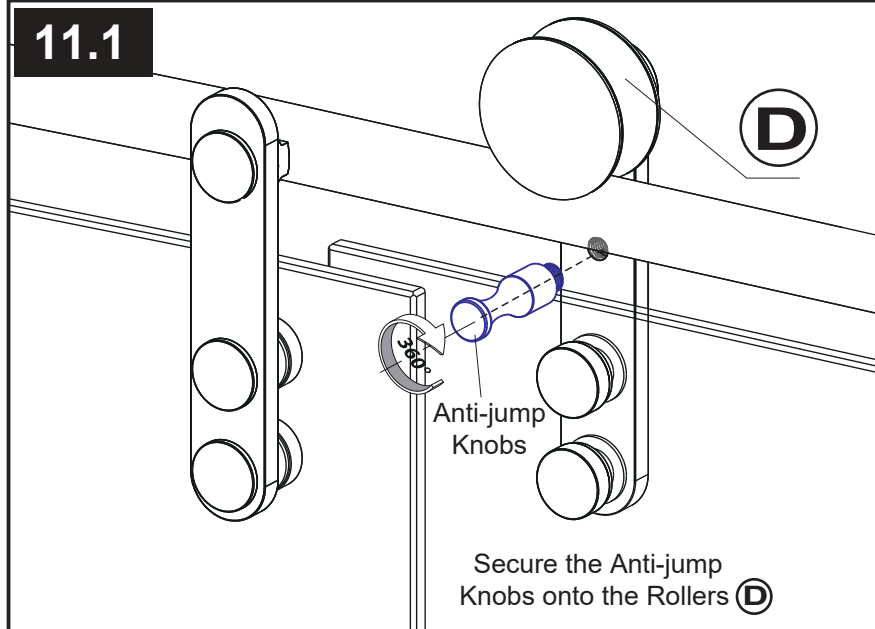


# STEP 11

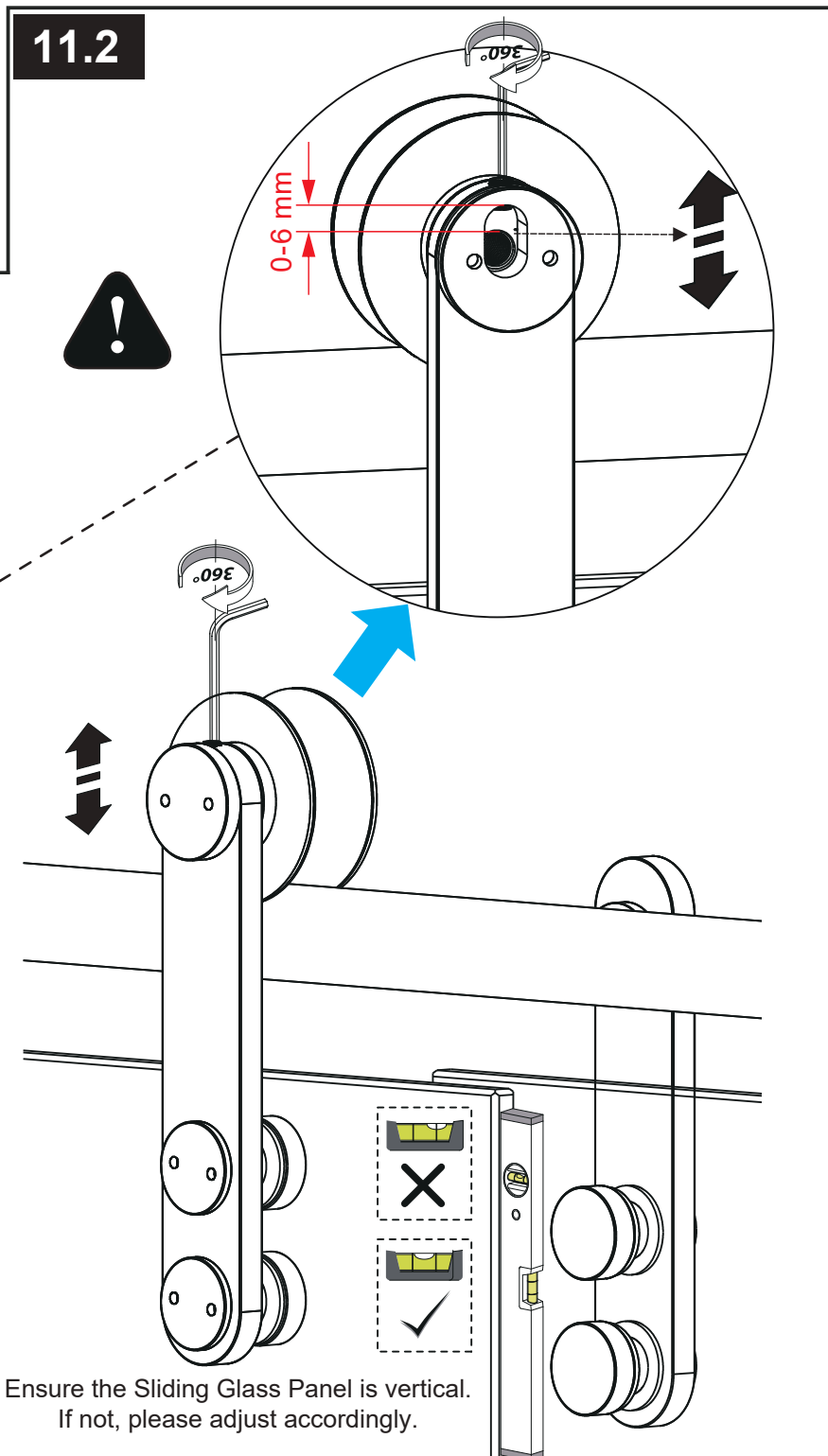
## Secure the Rollers



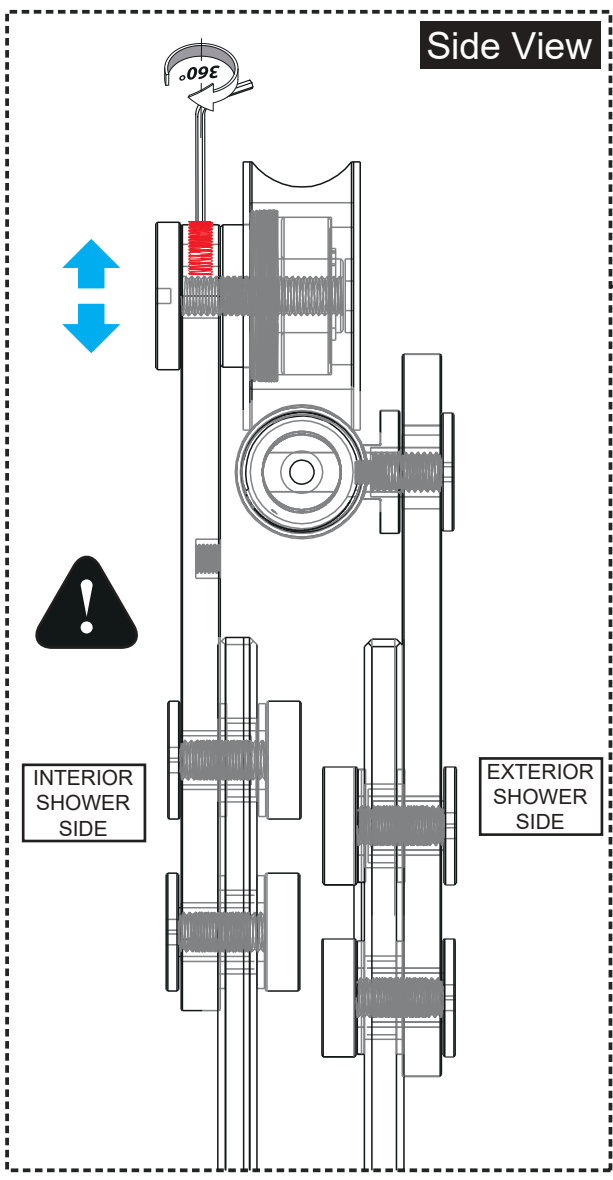
11.1



11.2



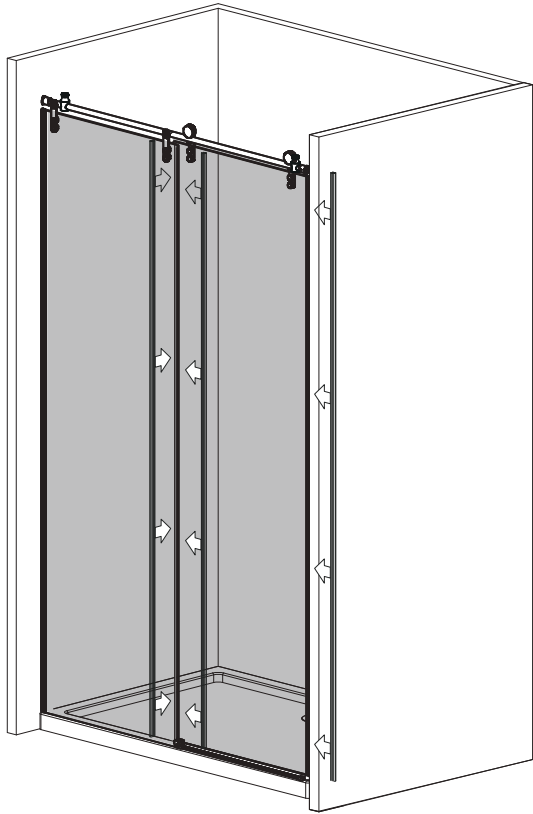
Side View



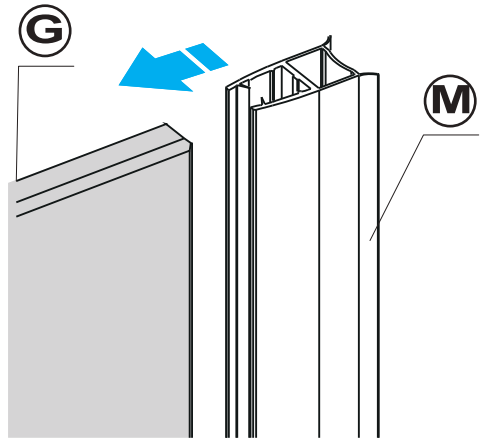
# STEP 12

## Install Side Seal & Center Seal

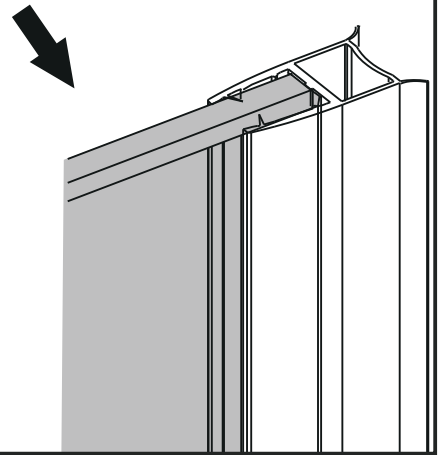
|  |   |           |   |   |           |
|--|---|-----------|---|---|-----------|
|  |  | <b>x2</b> |  |  | <b>x1</b> |
|--|---|-----------|---|---|-----------|



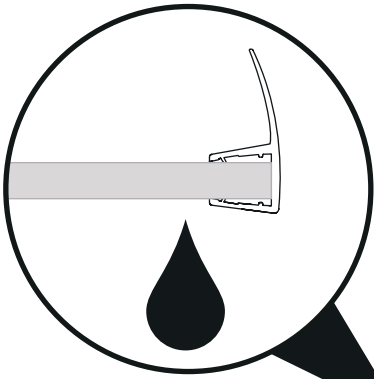
# 12.1




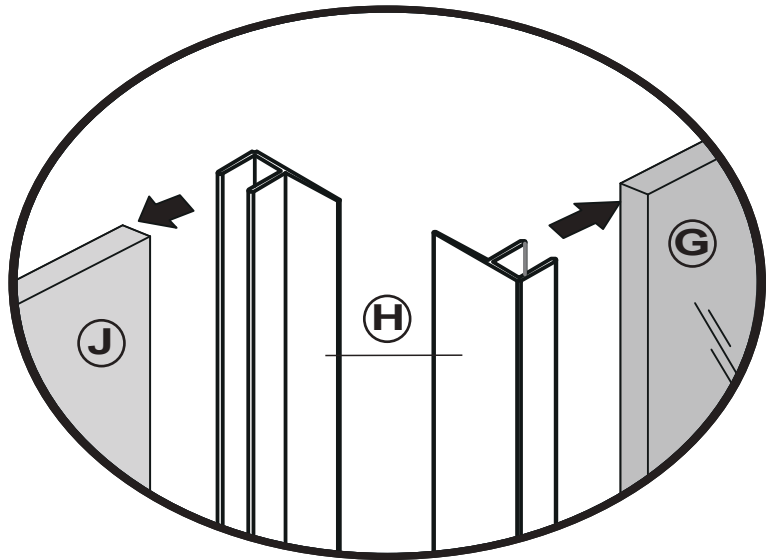
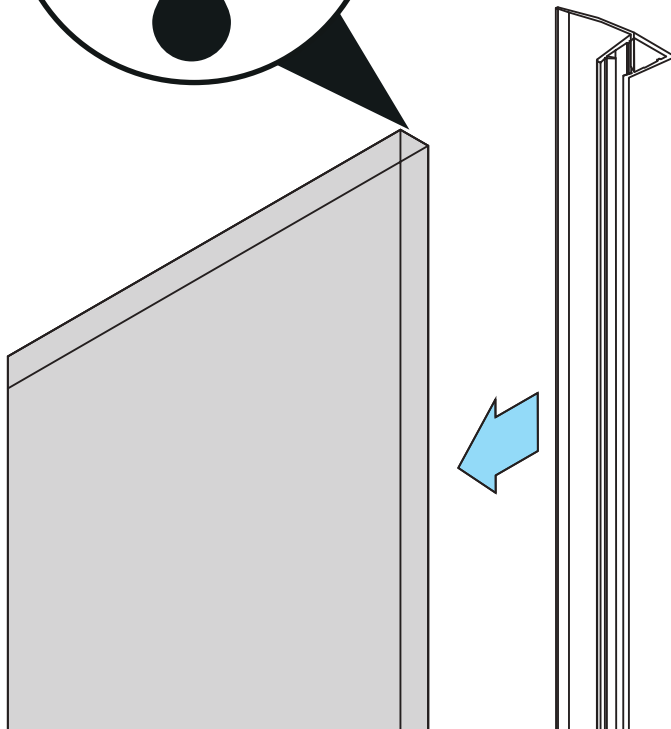
Install Side Seal 



# 12.2



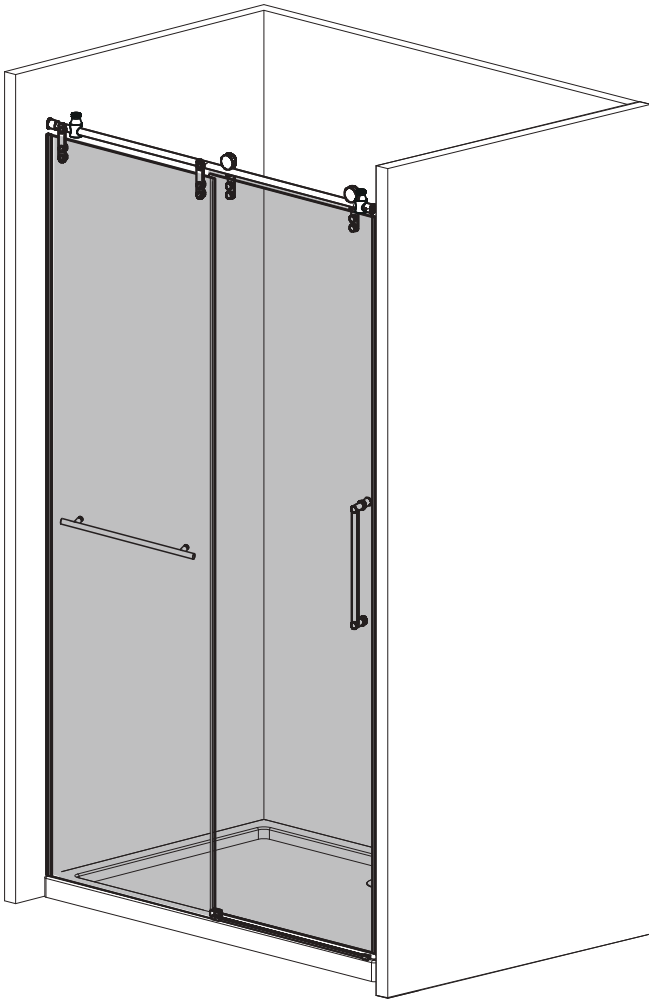
Install Center Seal 



# STEP 13

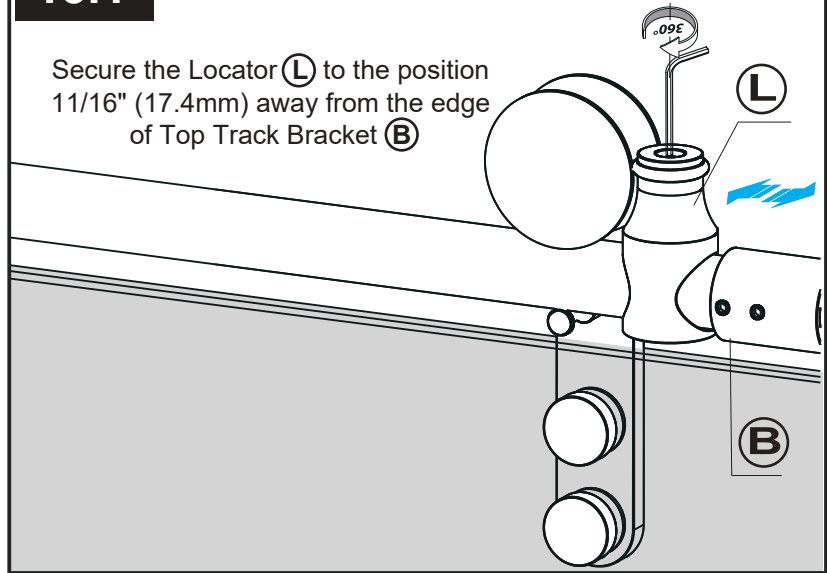
## Attach Handle & Towel Bar to Door Panels

- (E)  x1
- (K)  x1

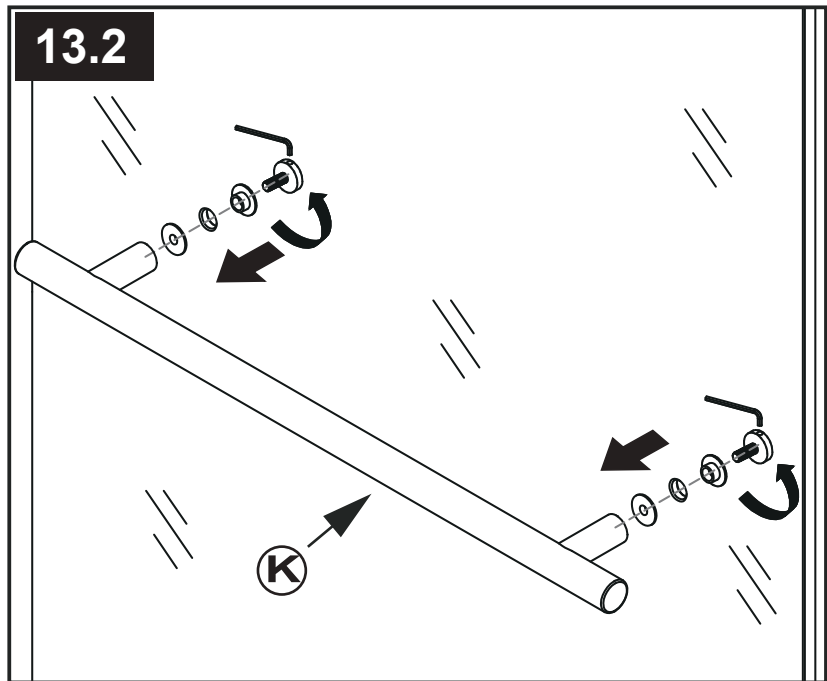


### 13.1

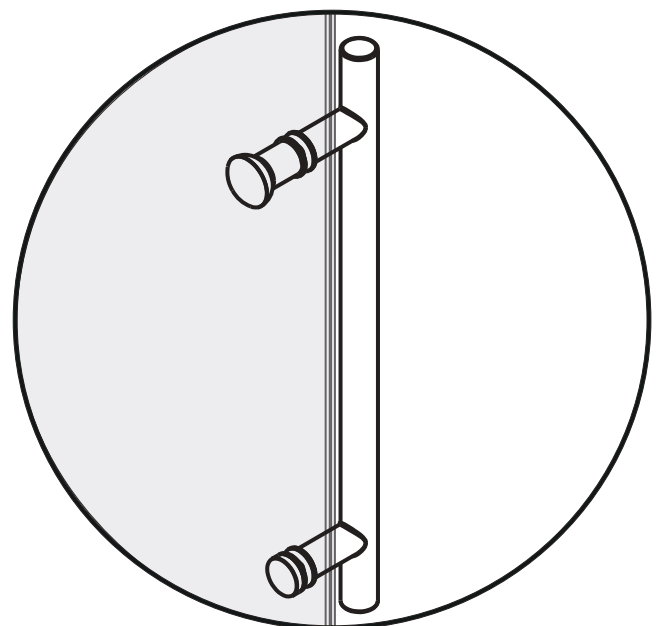
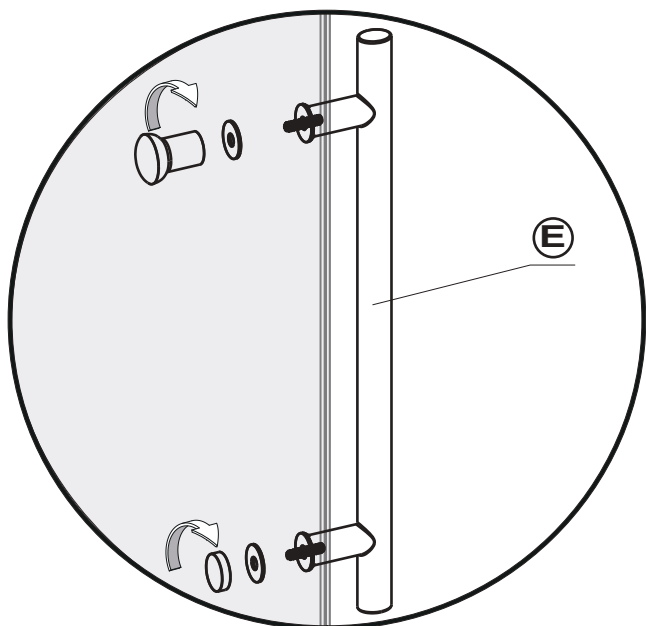
Secure the Locator (L) to the position 11/16" (17.4mm) away from the edge of Top Track Bracket (B)



### 13.2



### 13.3



## STEP 14

### Sealing

**NOTE**

The surfaces need to be clean and free of debris before applying silicone.

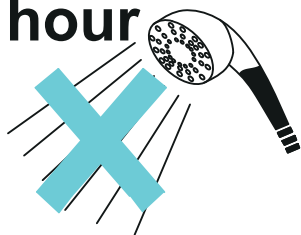
**NOTE**

Make sure that the shower door is tightly closed and opens smoothly. Use silicone sealant to seal on the seals between the **Fixed Glass Panel** (J) and the wall, and on the bottom of the **Fixed Glass Panel** (J) and the **Waterproof Threshold** (Q).

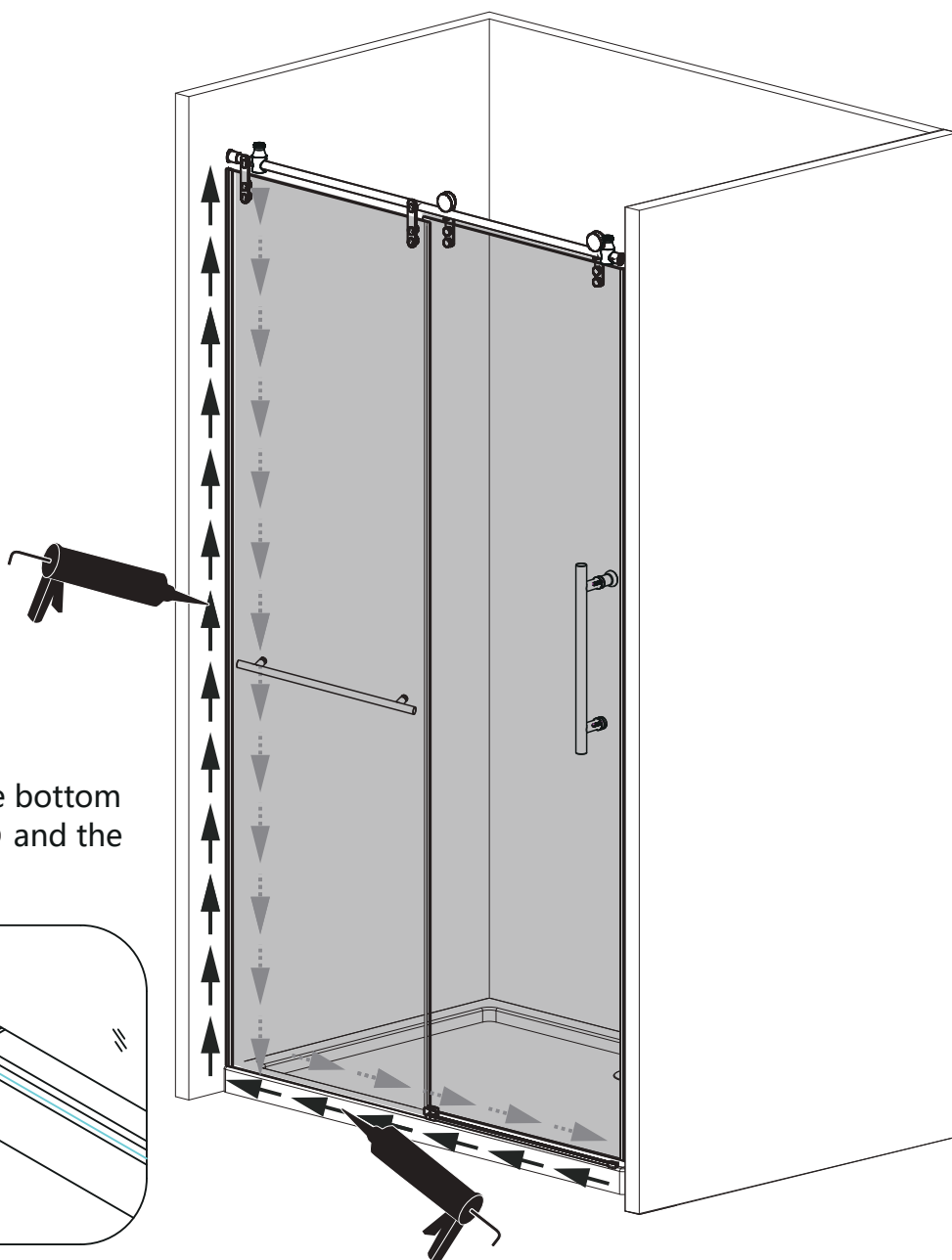
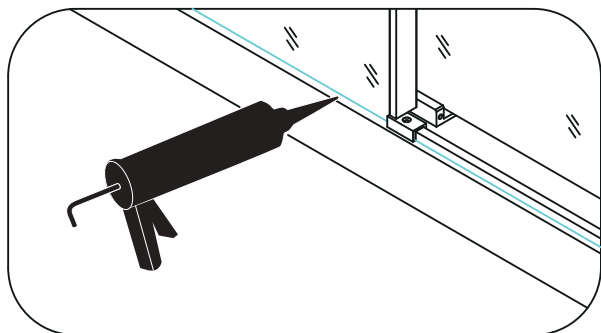
**!**

Allow 24 hours for the silicone to cure before using the shower.

**24  
hour**



Apply silicone sealant on the bottom of the **Fixed Glass Panel** (J) and the **Waterproof Threshold** (Q).



# THANK YOU

We hope you enjoy  
your purchase.

All of our products are crafted with an  
obsessive attention to detail.

Any problem with installation,  
please watch the video.

