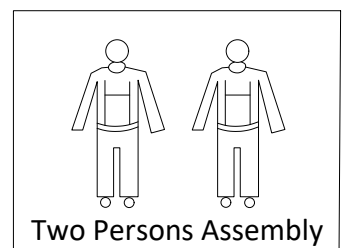
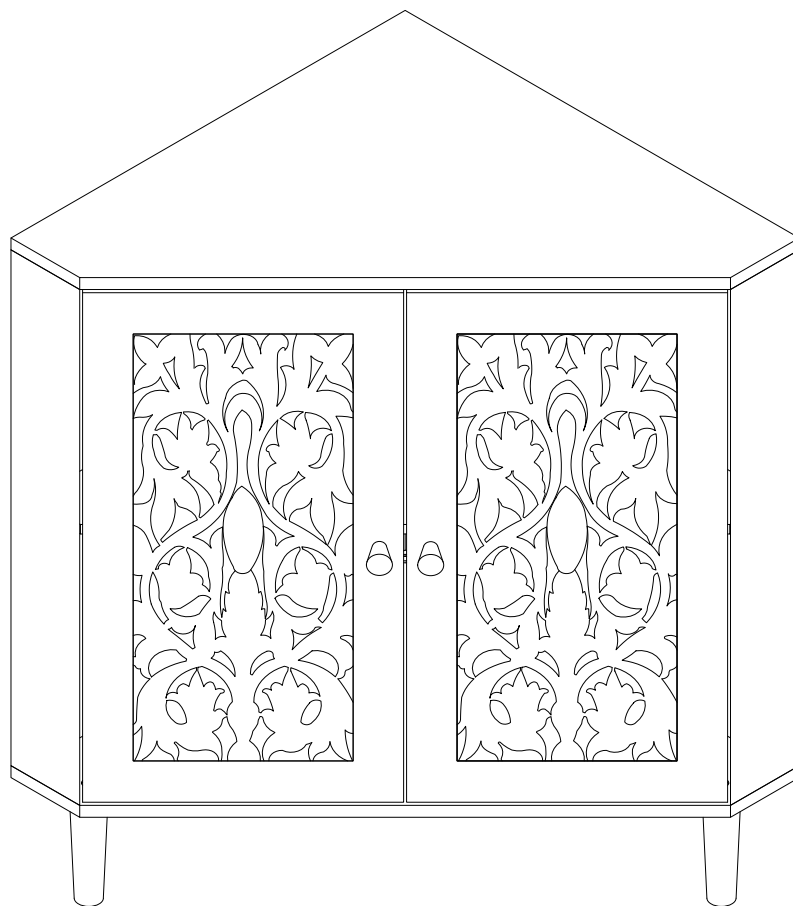
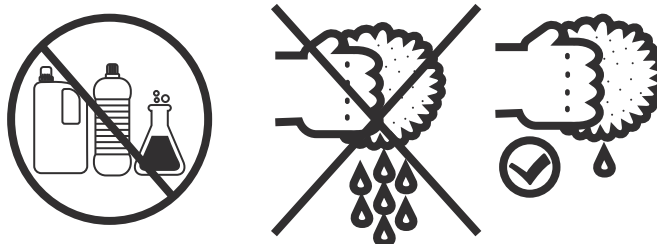
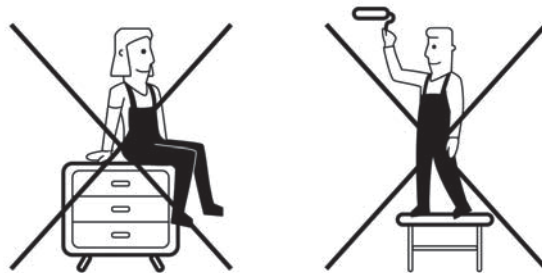
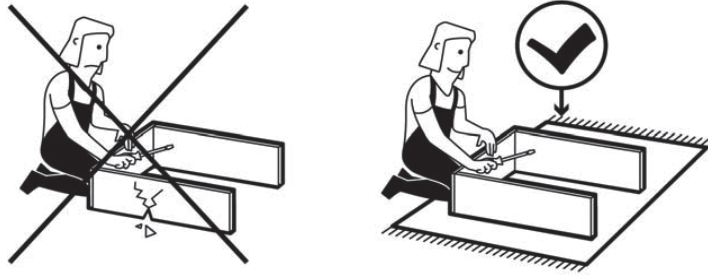
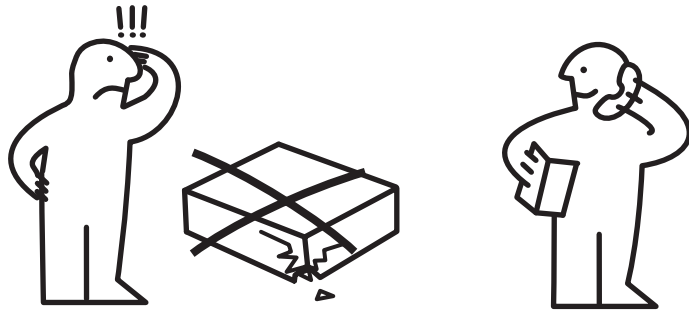


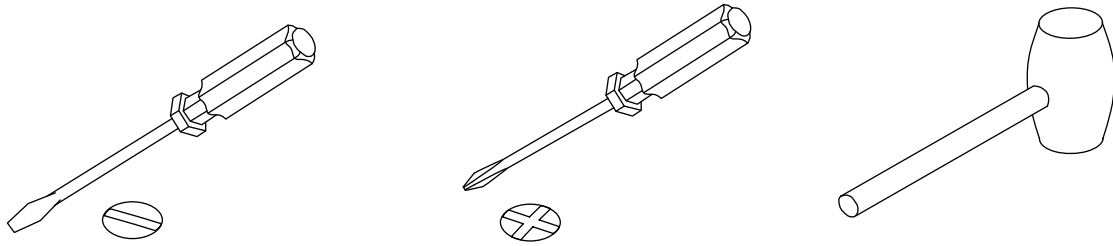
ASSEMBLY INSTRUCTIONS

Item NO.: XM2511BC



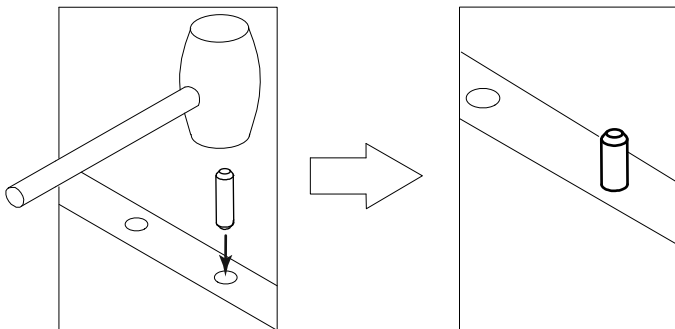


ASSEMBLY TOOLS REQUIRED (NOT INCLUDED)



- * Before discarding packing materials, please check all parts and hardware are presented.
- * Please follow the instructions closely.
- * After few days of initial assembly, the product may have acclimated to new environment, please tighten all hardware again.

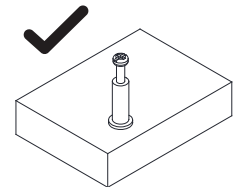
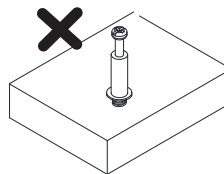
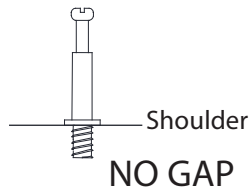
Dowel Installation



Gently tap dowel into hole with rubber mallet.

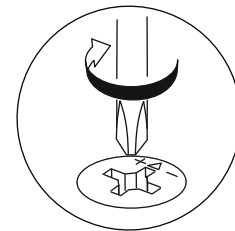
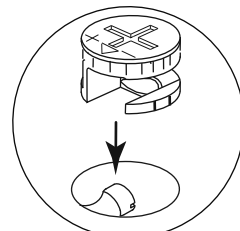
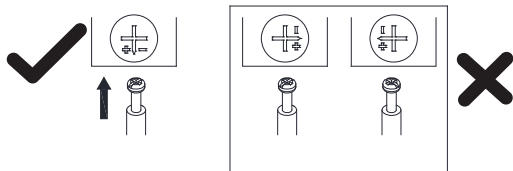
CAM-LOCK

Tighten until shoulder is flush with panel. Do not overtighten or undertighten

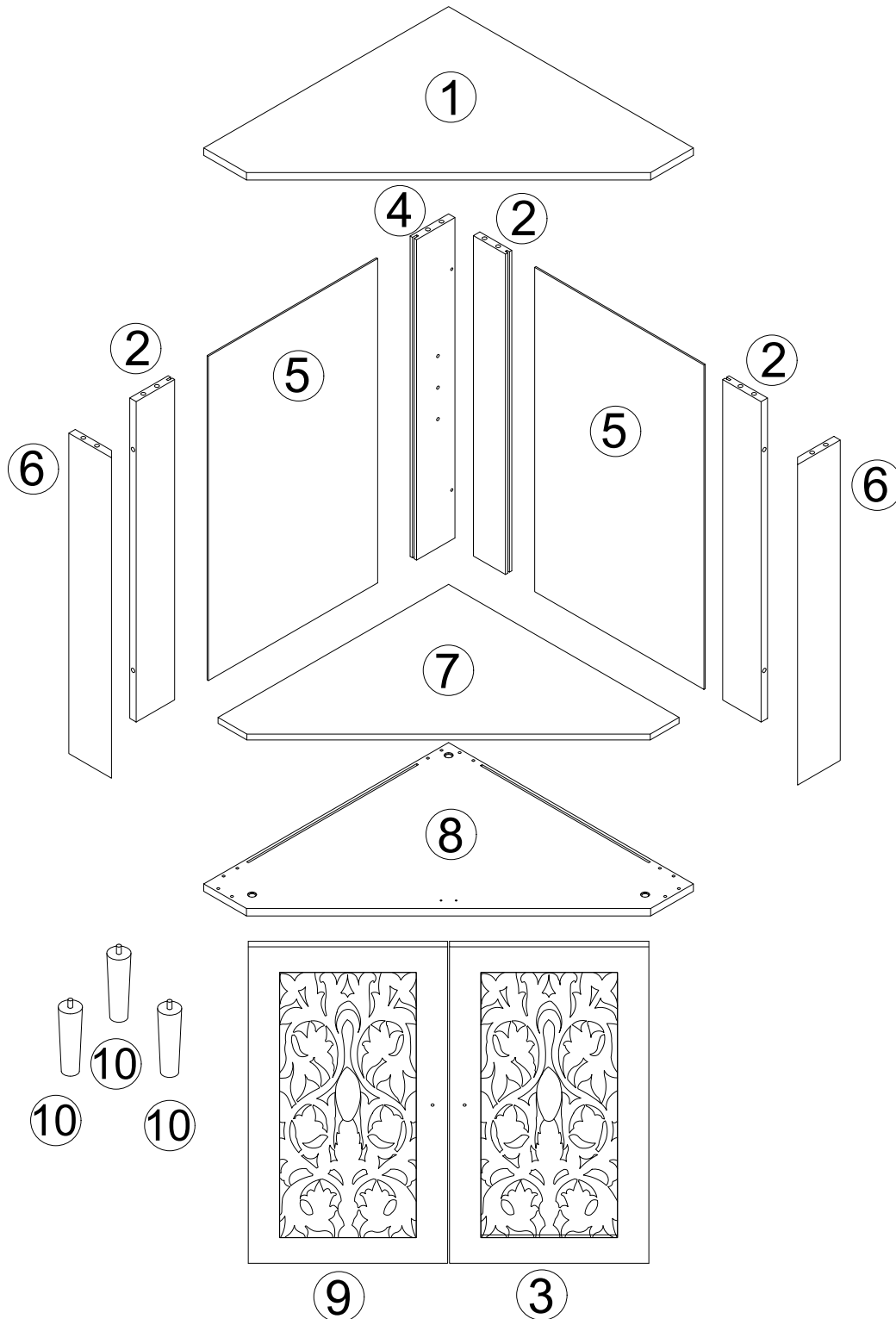


WHEN FITTING CAMS

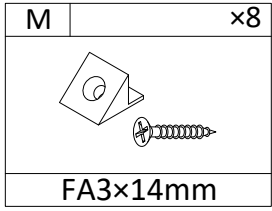
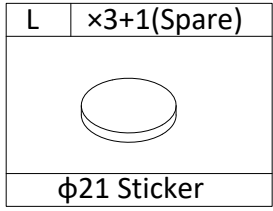
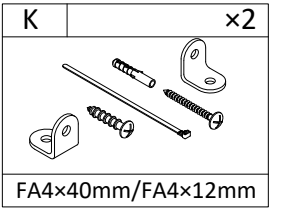
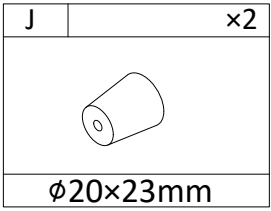
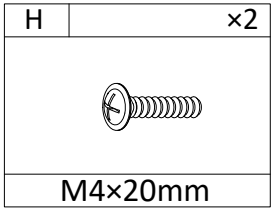
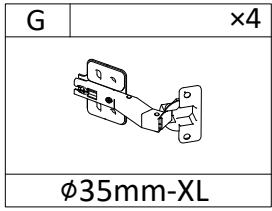
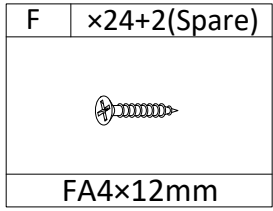
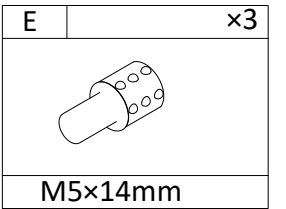
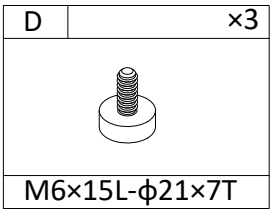
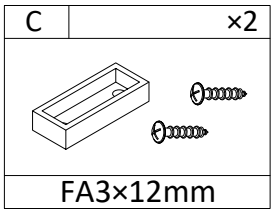
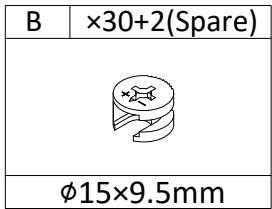
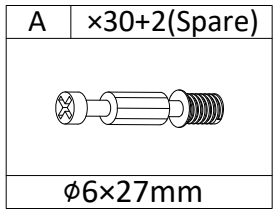
ENSURE STARTING POSITION IS CORRECT BEFORE YOU INSERT CONNECTING CAM-PILLAR
TURN CLOCKWISE UNTIL SECURE



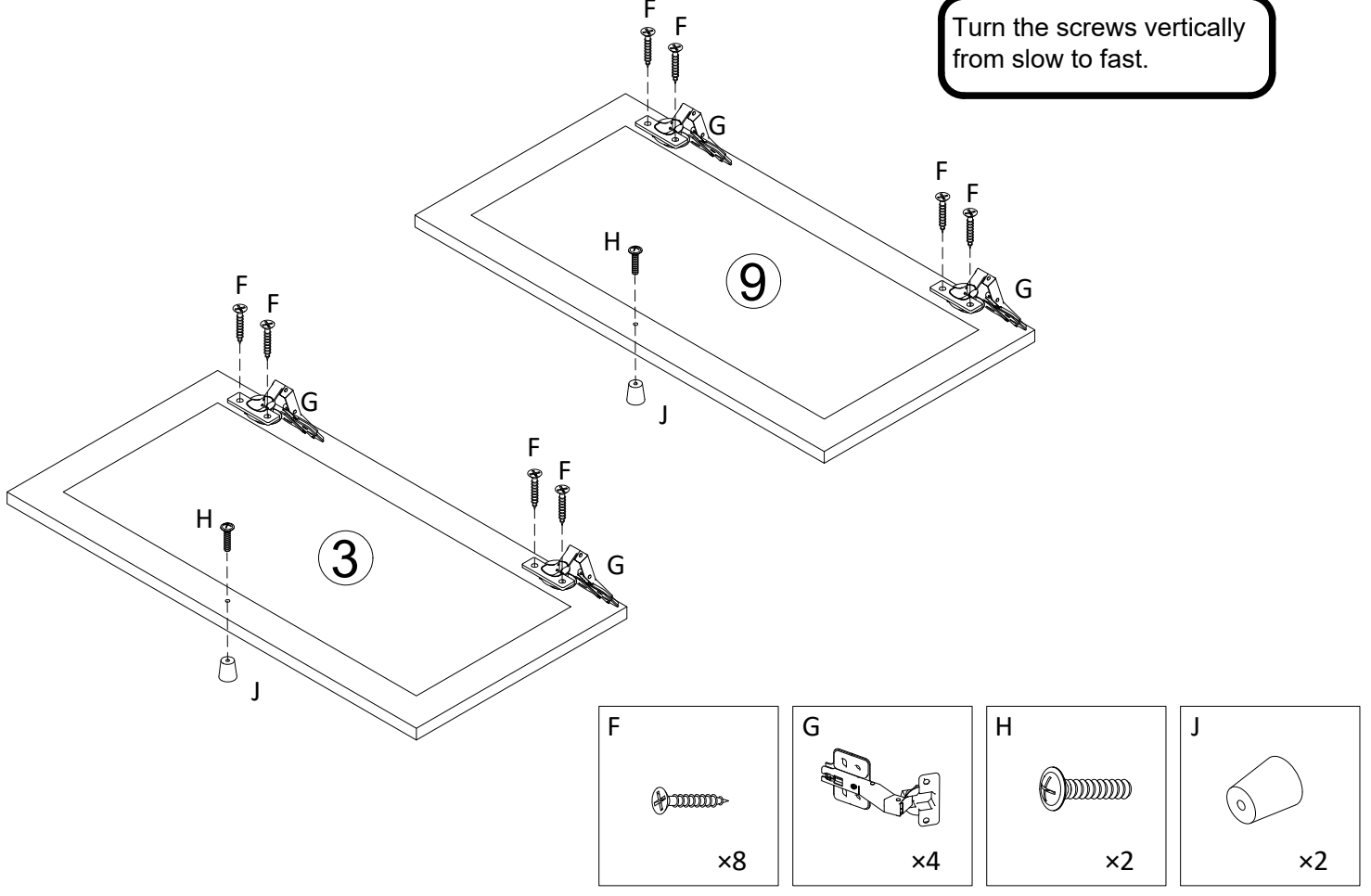
Laying out all the parts and hardware and identifying each part as shown below. It may help you when you assemble the item.



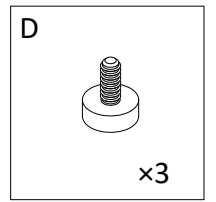
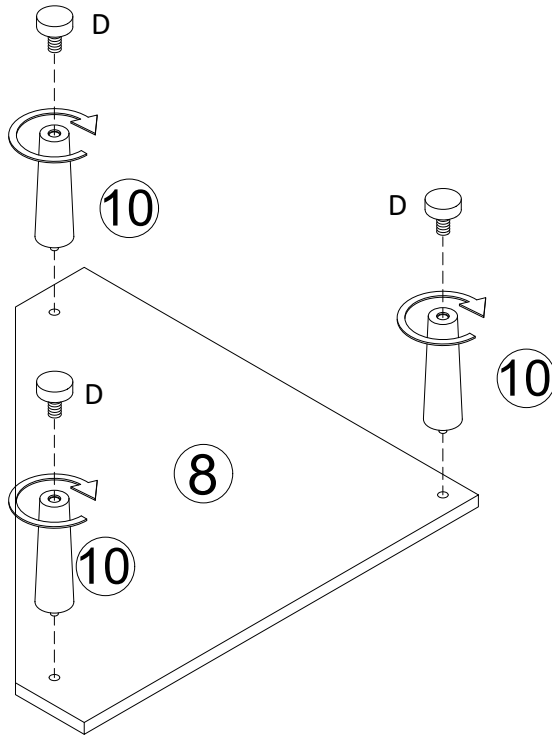
① × 1	② × 3	③ × 1	④ × 1	⑤ × 2	⑥ × 2	⑦ × 1	⑧ × 1
⑨ × 1	⑩ × 3						



1

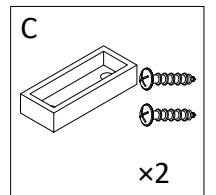
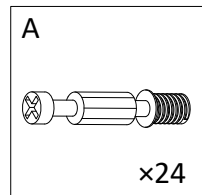
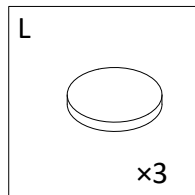
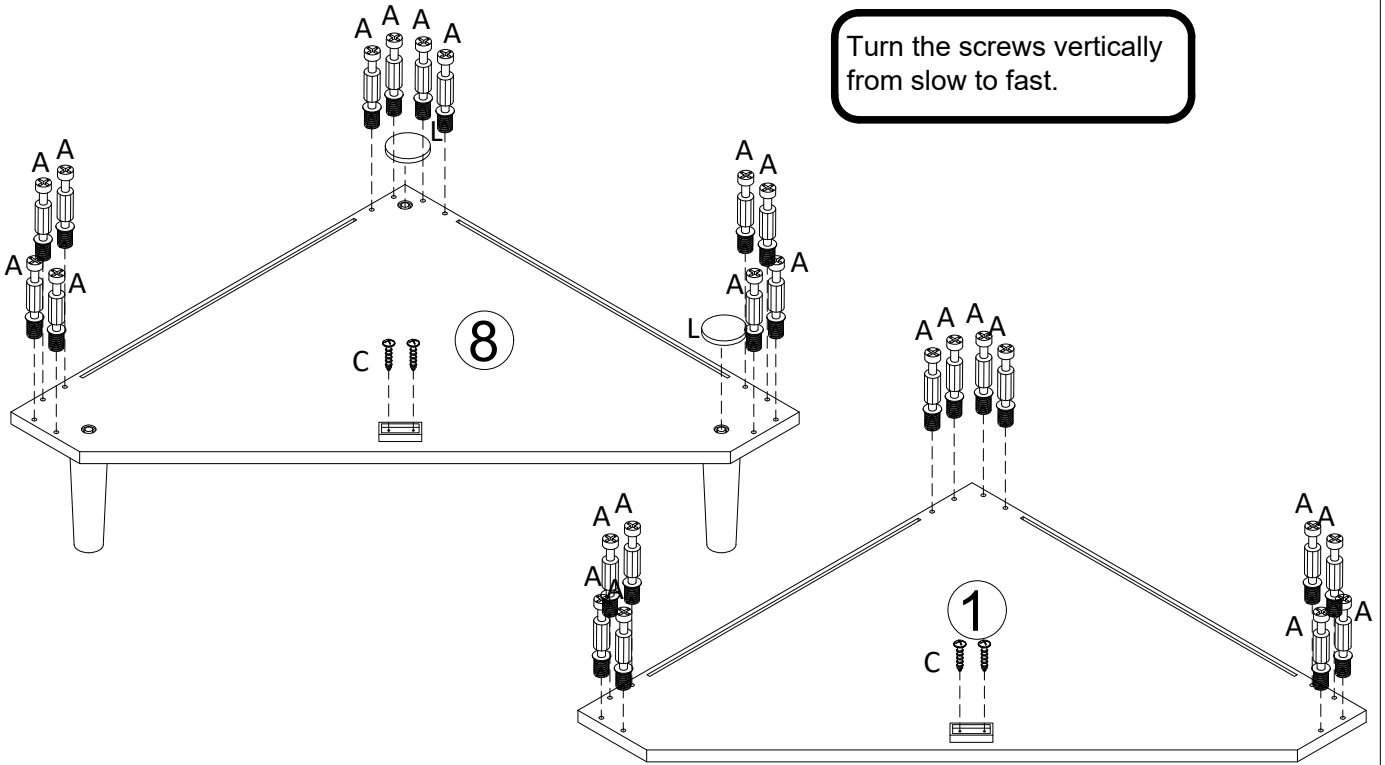


2

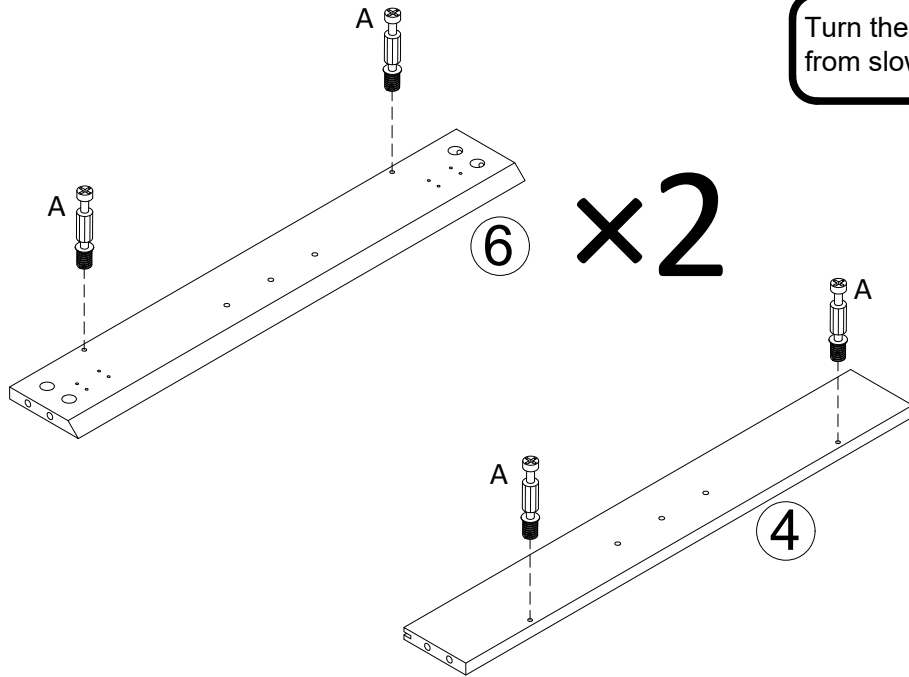


3

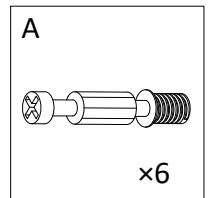
Turn the screws vertically from slow to fast.



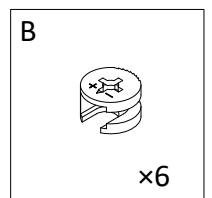
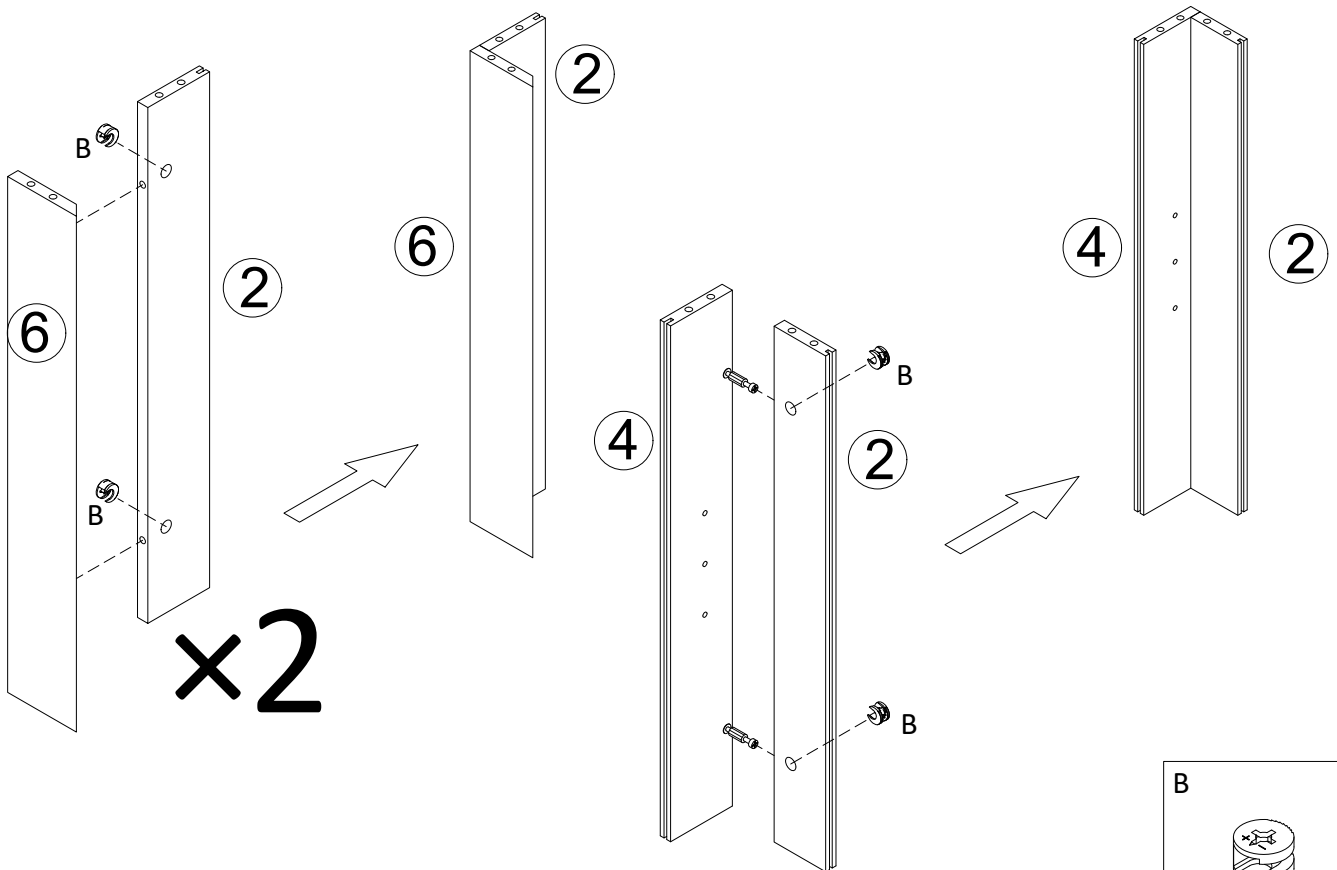
4



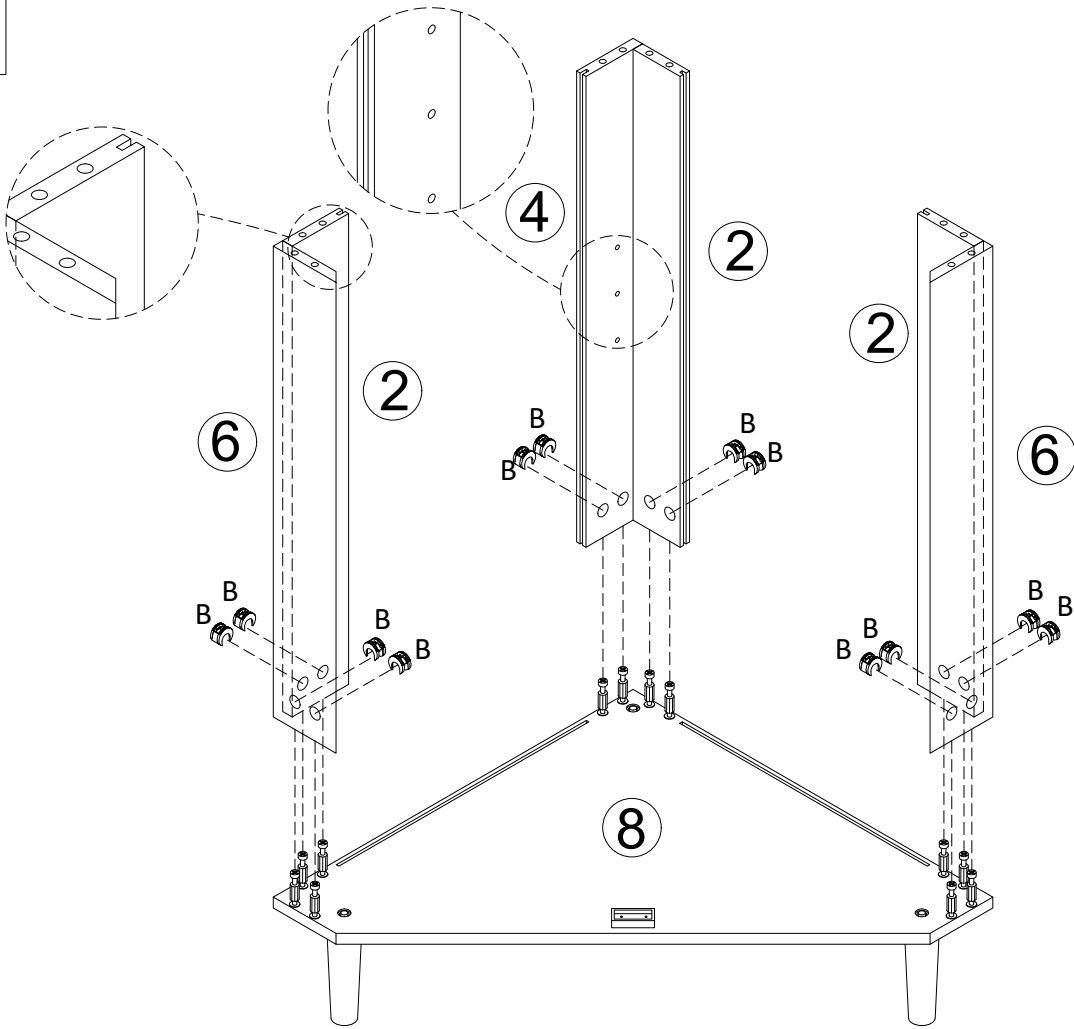
Turn the screws vertically from slow to fast.



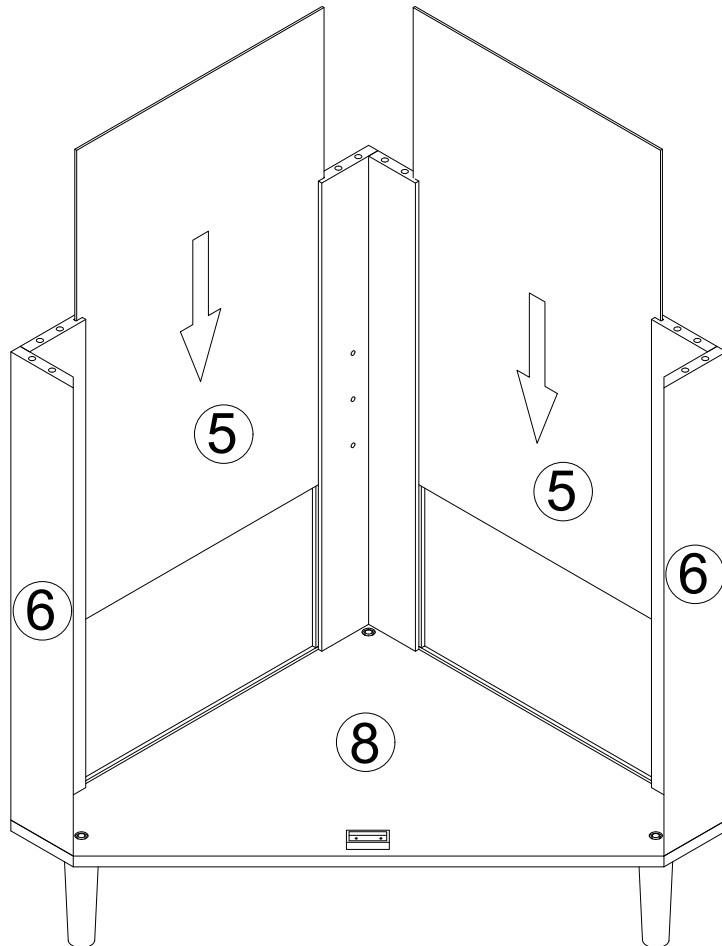
5



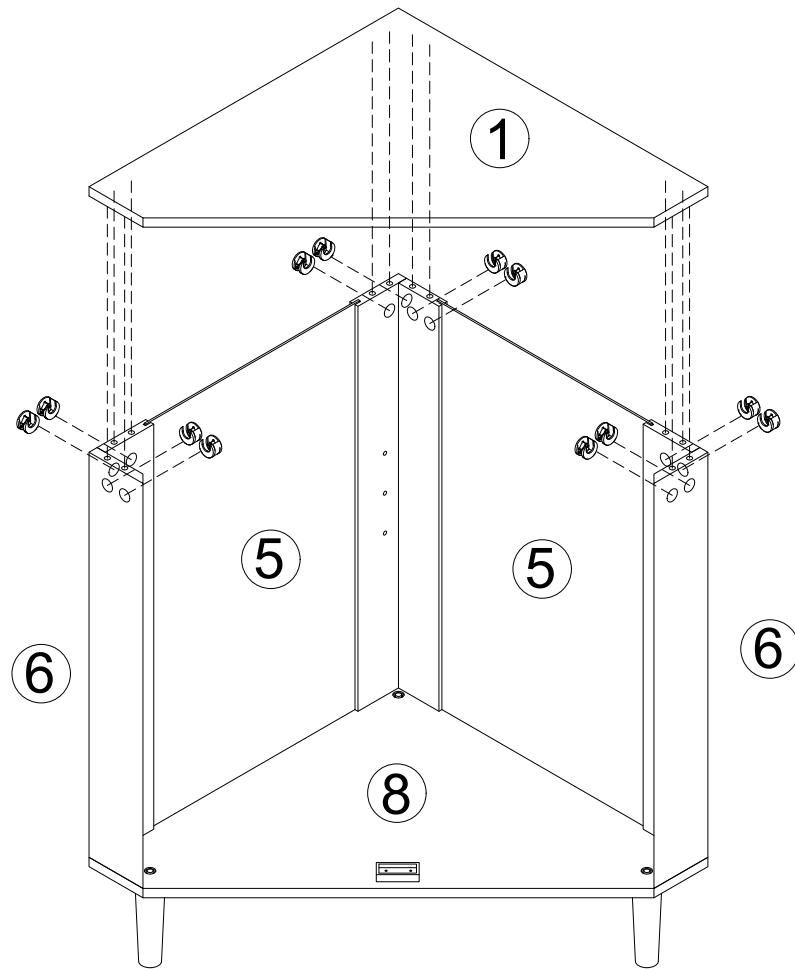
6



7

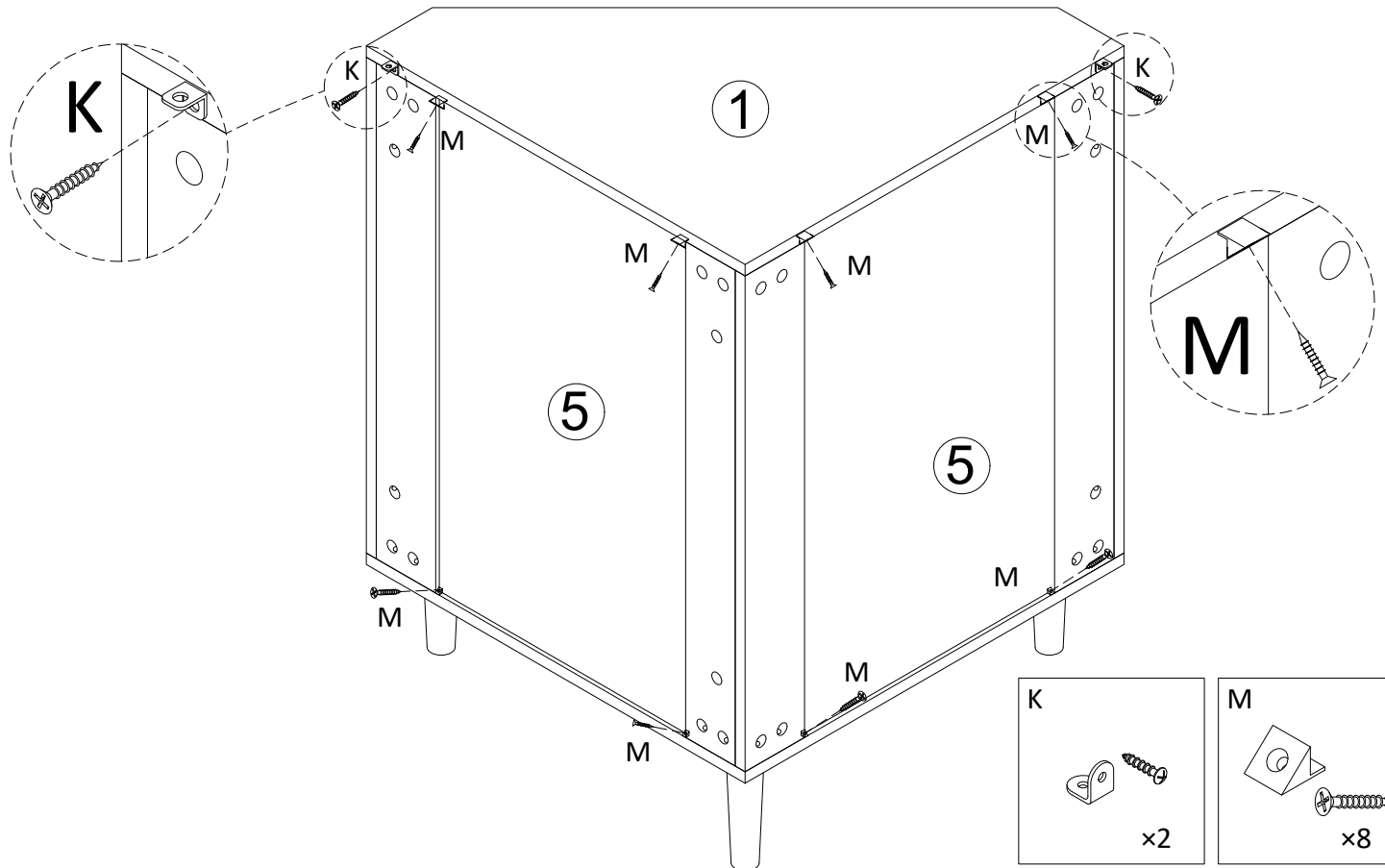


8

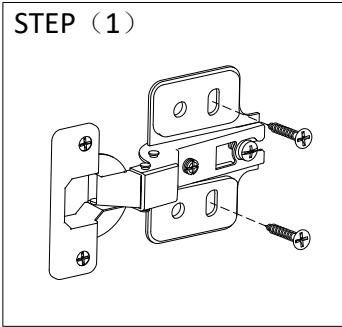


9

Turn the screws vertically from slow to fast.

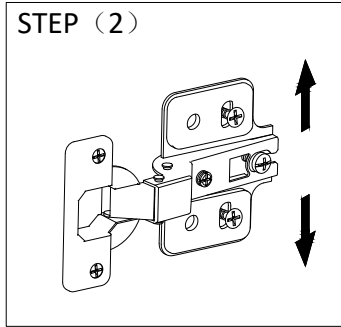


STEP (1)



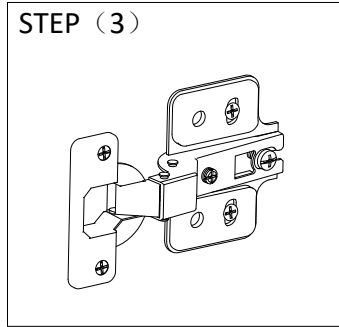
Tips: Turning the screw to approx 50% tightness, don't be fully tight.

STEP (2)



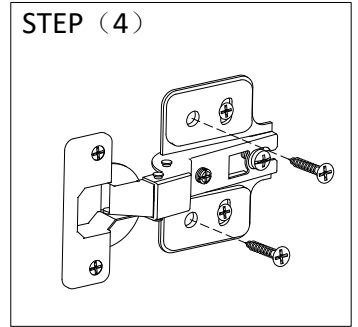
Tips: Moving the hinges up or down appropriately to adjust the gap between the door with the cabinet top and bottom.

STEP (3)



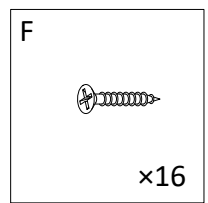
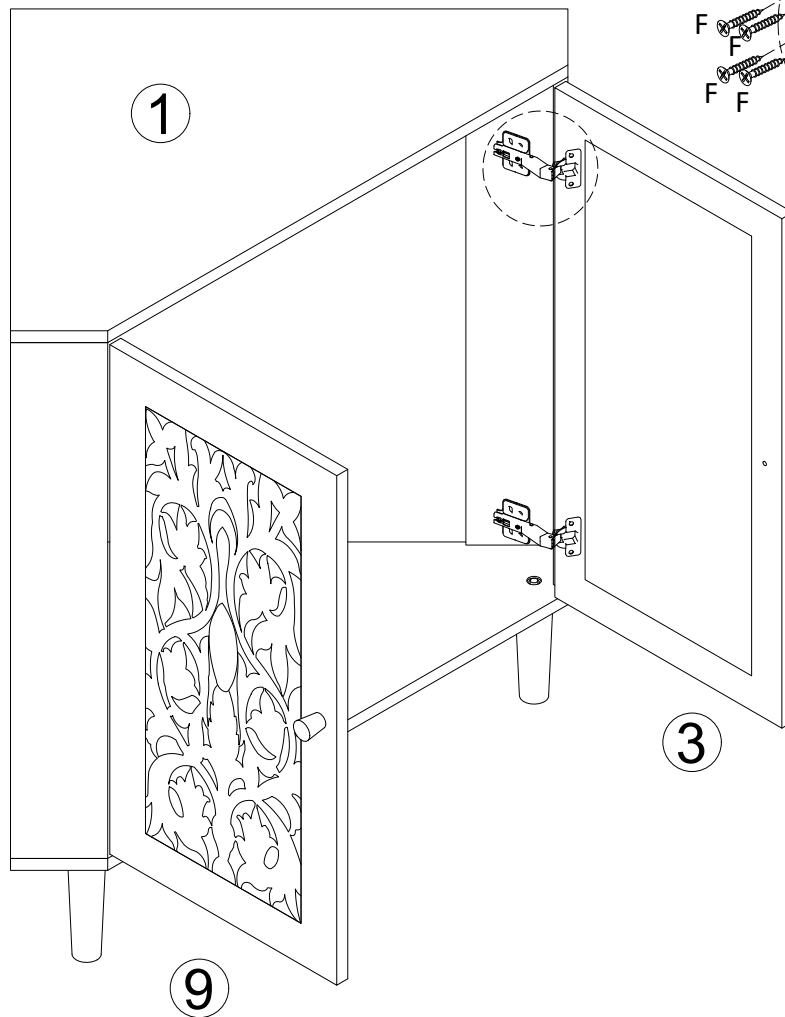
Tips: Tightening the screws completely.

STEP (4)



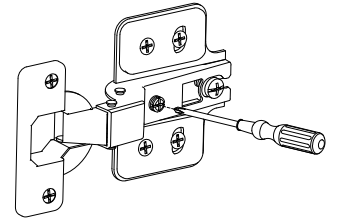
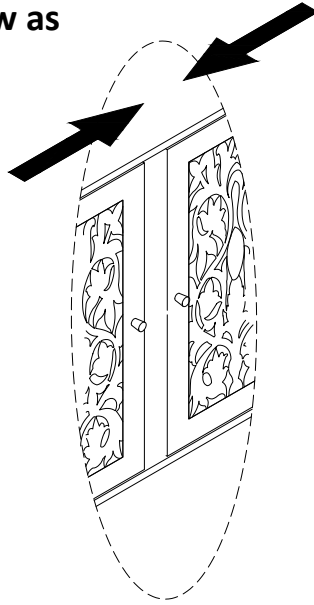
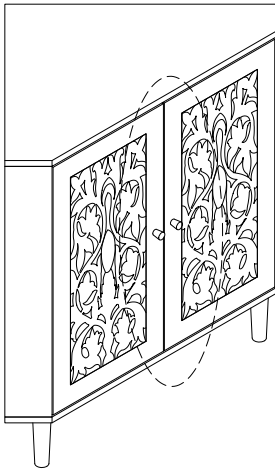
Tips: Tightening the other screws completely.

Turn the screws vertically from slow to fast.

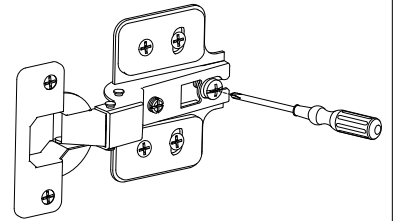
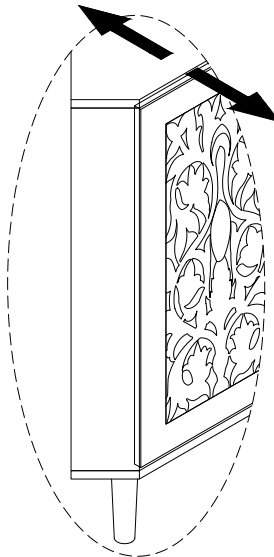
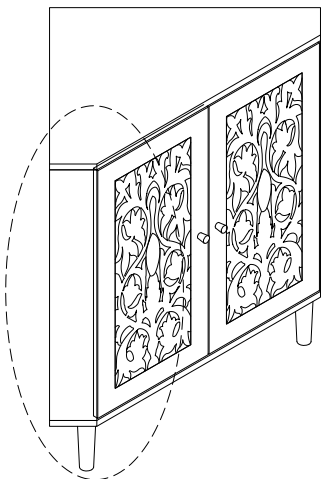


11

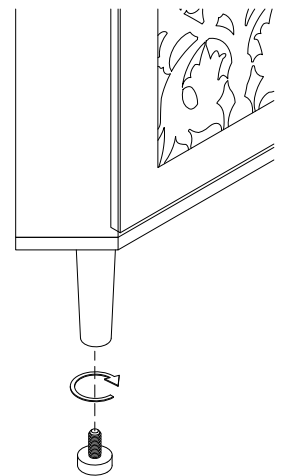
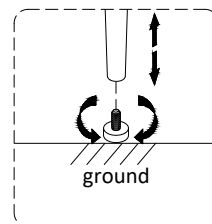
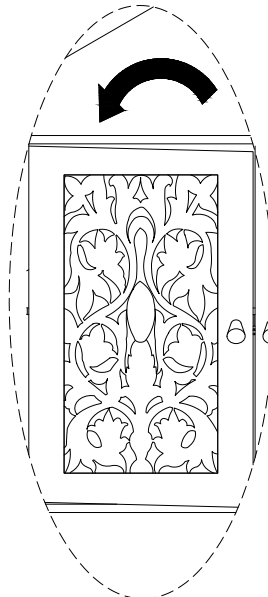
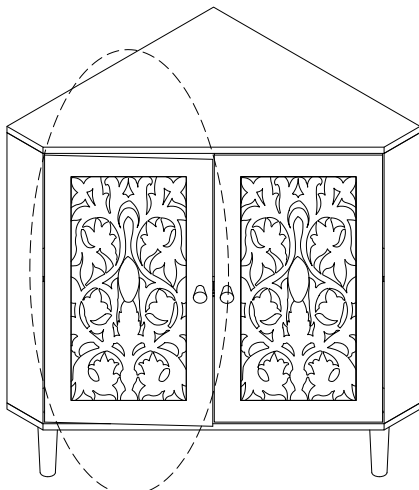
Tips: If the gap between two doors is too far or close, please turning the screw as shown below.



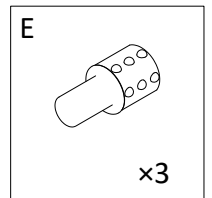
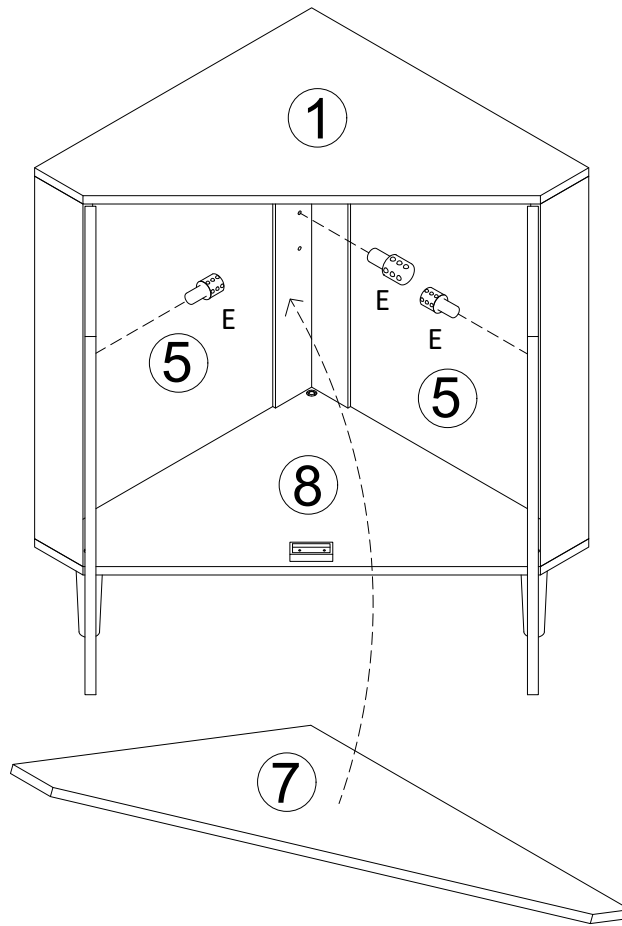
Tips: Adjusting the screw as shown in the following picture can make the door move forward or backward.



Tips: Adjusting the levelers appropriately underneath the bottom of the foot can make the gaps between the door and frames of cabinet even.



12



13

