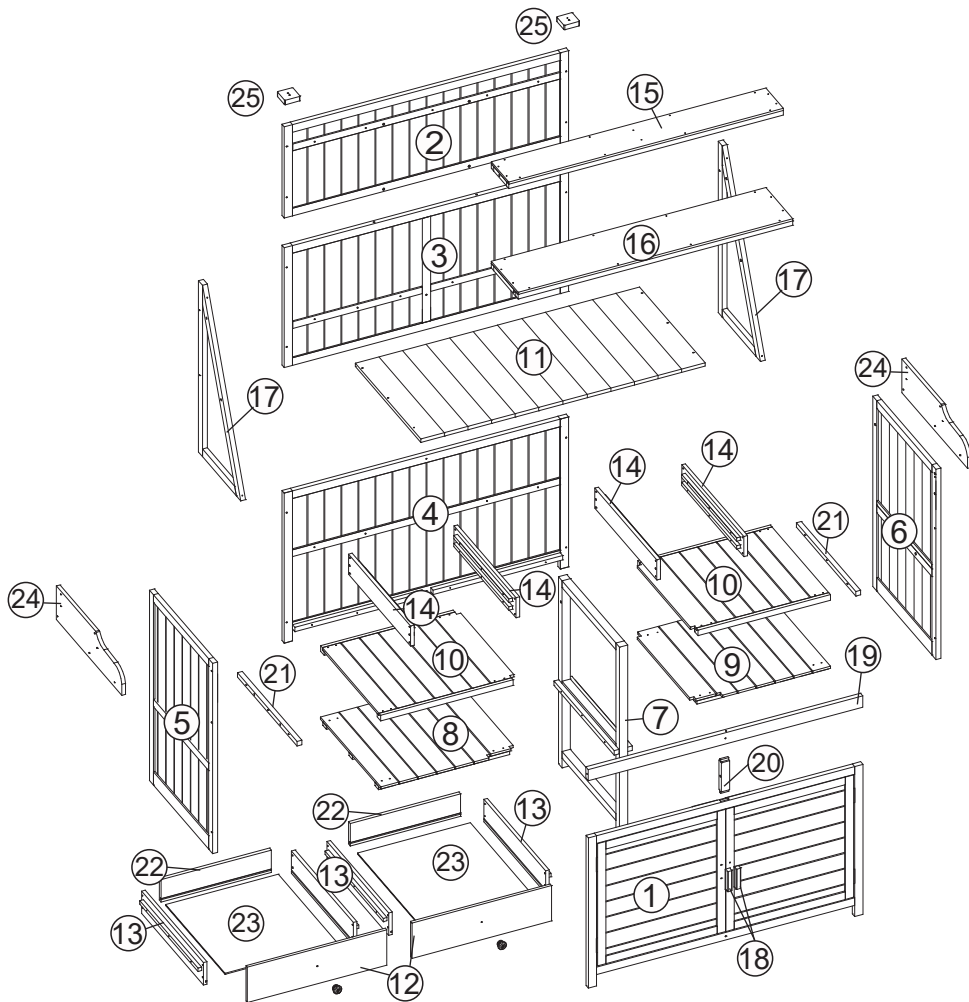


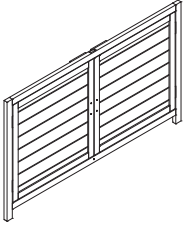
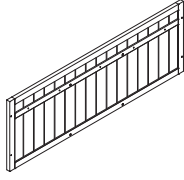
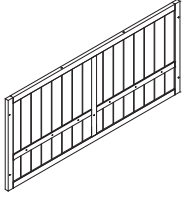
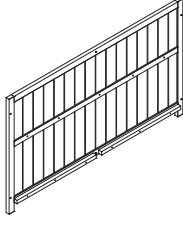
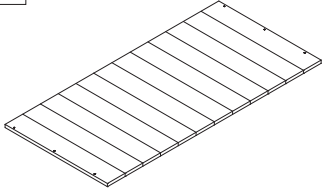
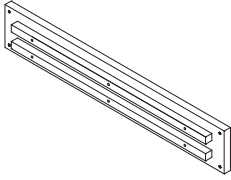
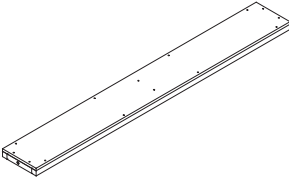
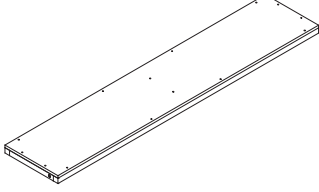
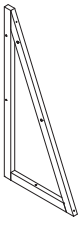

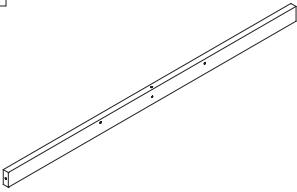

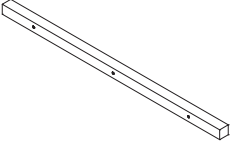
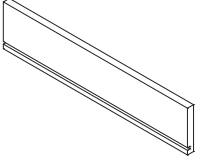
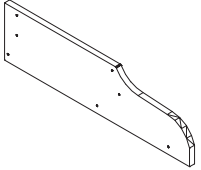
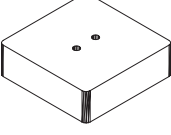
This set includes 2 boxes. If not receive full 2boxes,please contact our customer service team.

Detail View

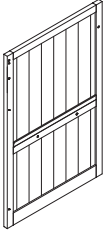
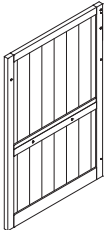
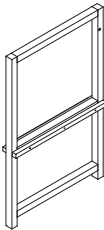
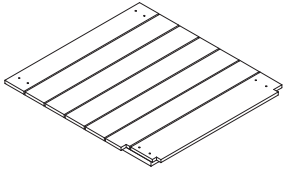
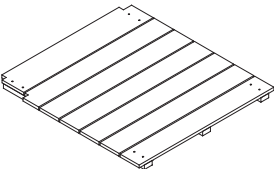
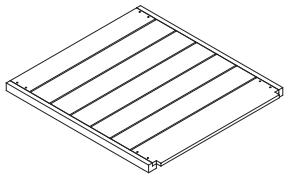
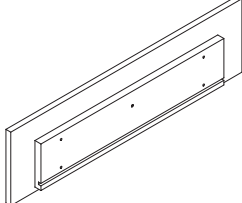
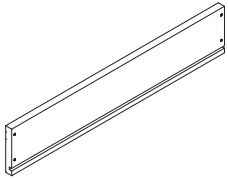
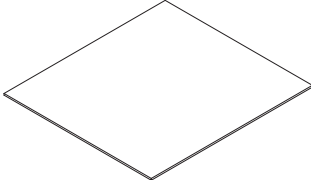


Part List









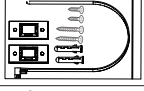
Hardware list

1 	2 	3 	4 
Front panel - 1pc	Upper back panel- 1pc	Middle back panel- 1pc	Lower back panel- 1pc
11 	14 	15 	16 
Table top - 1pc	Support plate of drawer - 4pcs	Upper storage board - 1pc	Lower storage board - 1pc
17 	18 	19 	20 
Triangular support part - 2pcs	Handle - 2pcs	Horizontal bar of front panel - 1pc	Vertical bar of front panel- 1pc
21 	22 	24 	25 
Slat of support - 2pcs	Back part of drawer - 2pcs	Side panel of table - 2pcs	Wood block - 2pcs

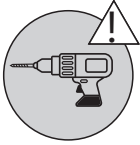
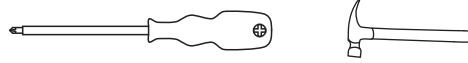
Hardware list

5 	6 	7 	8 
Left panel - 1pc	Right panel - 1pc	Middle panel - 1pc	Bottom panel 1 - 1pc
9 	10 	12 	13 
Bottom panel 2 - 1pc	Shelves - 2pcs	Front part of drawer - 2pcs	Side part of drawer - 4pcs
23 			
Bottom of drawer - 2pcs			

Hardware List

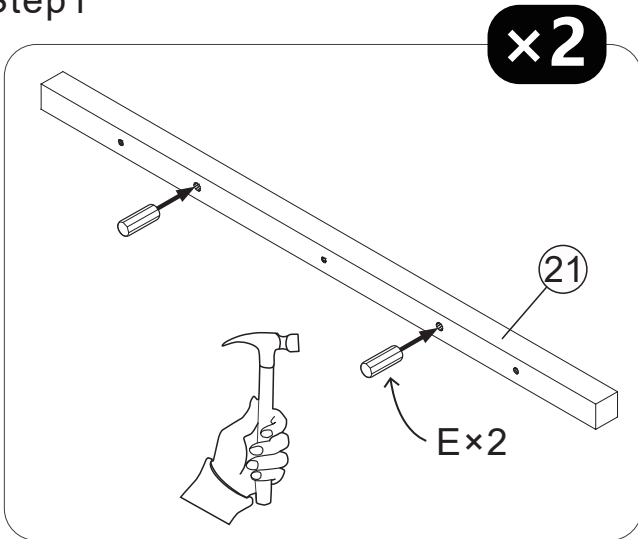
A  φ3.5x60 Ph zinc screws 4+1pcs	B  φ3.5x40 Ph zinc screws 25+1pcs	C  φ3.0x38 Ph zinc screws 14+1pcs	D  φ3.0x30 Ph zinc screws 56+1pcs
E  Wood dowel 16pcs	F  M6*45 Ph zinc bolt 8+1pcs	G  M4*35 Ph zinc bolt 2+1pcs	H  Door Knob 2pcs
 Anti-topple over sets 2pcs			

ASSEMBLY TOOLS REQUIRED(NOT INCLUDED)



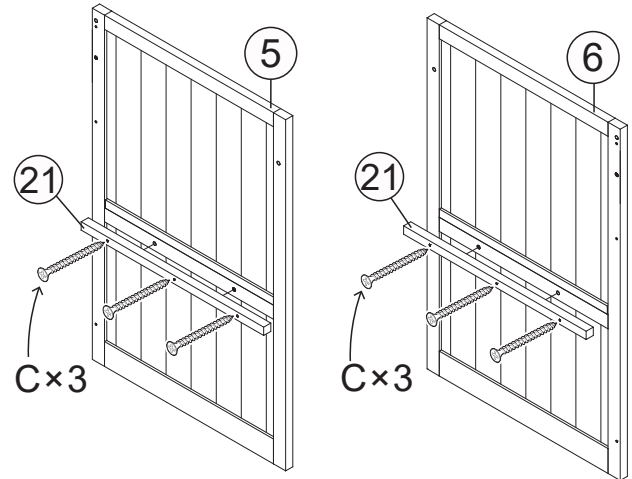
PLEASE BE CAREFUL DO NOT DAMAGE THE HOLE POSITION WHEN YOU USE POWERTOOLS!

Step1



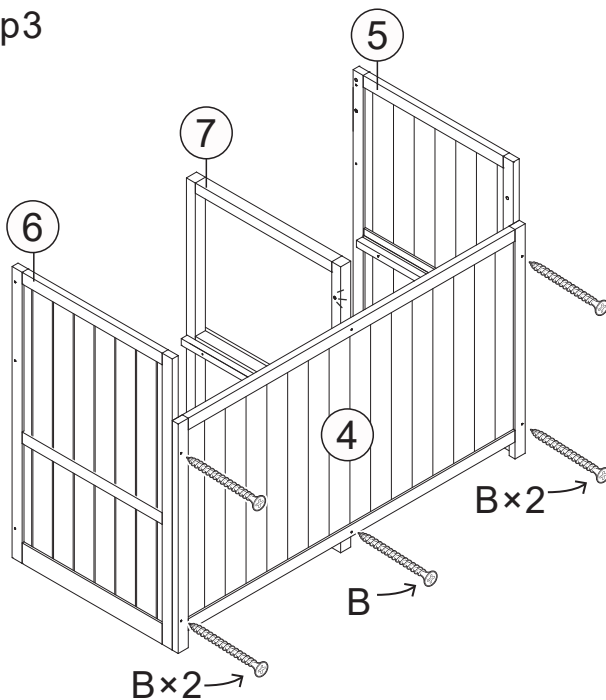
E×4 ②1×2

Step2



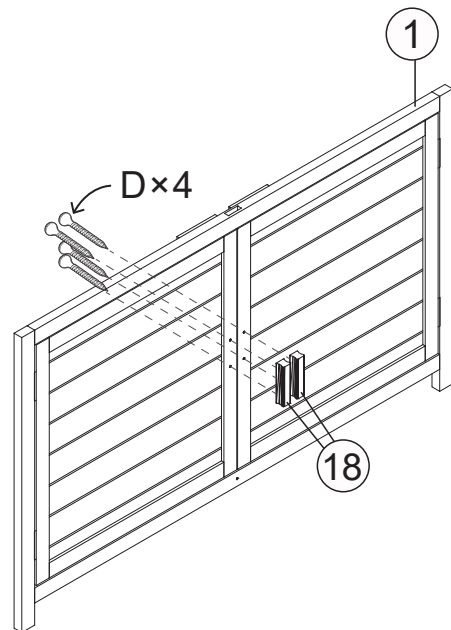
C×6 ⑤×1 ⑥×1

Step3



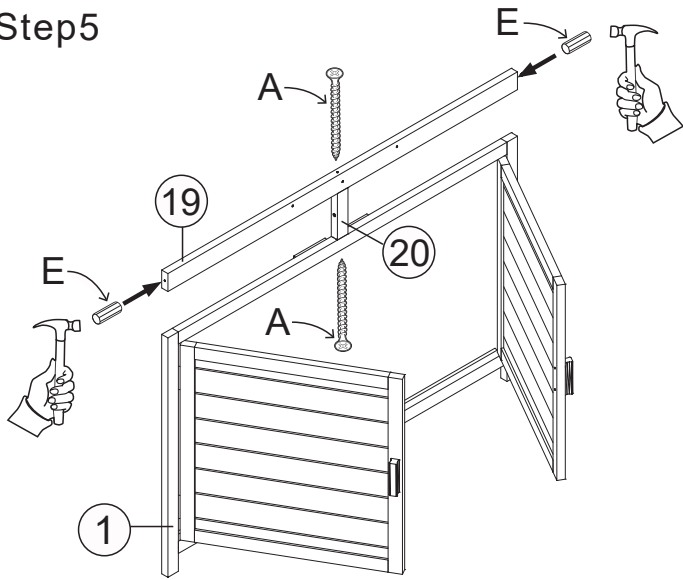
B×5 ④×1 ⑦×1

Step4



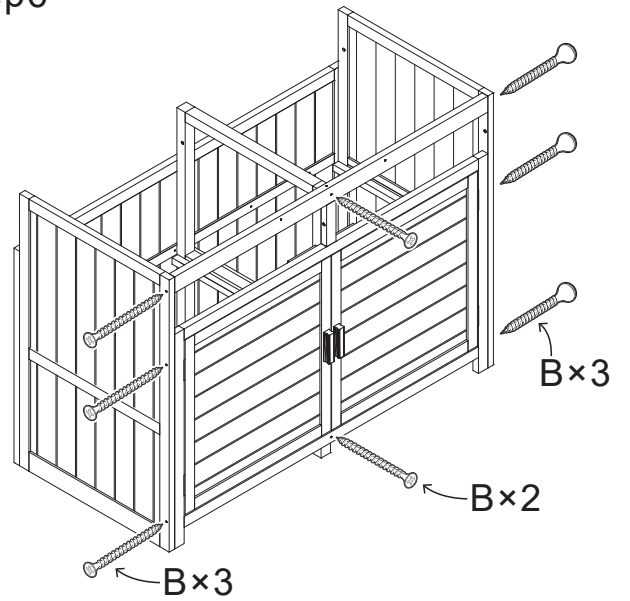
D×4 ①×1 ⑱×2

Step5



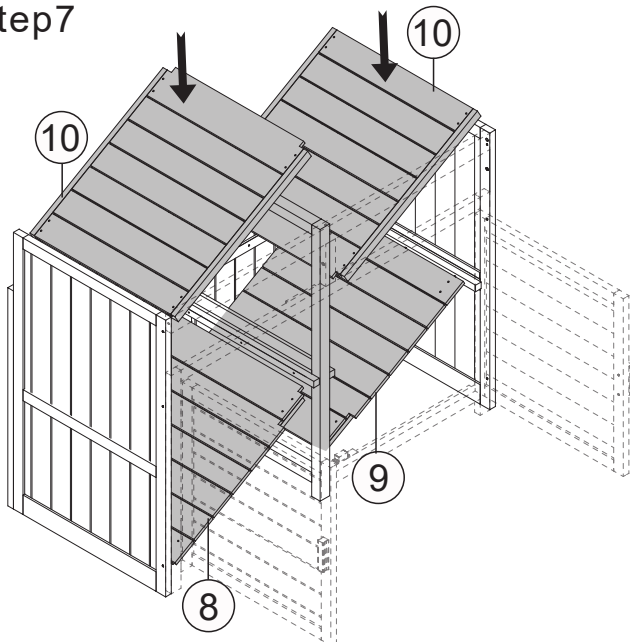
A×2 E×2 19×1 20×1

Step6



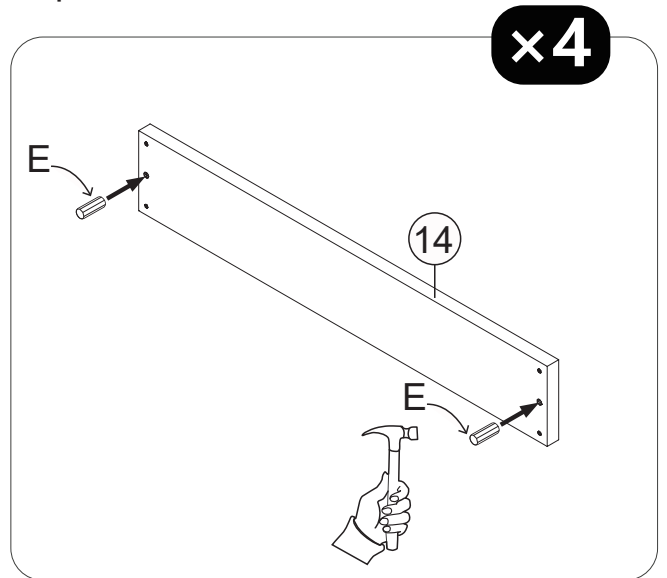
B×8

Step7



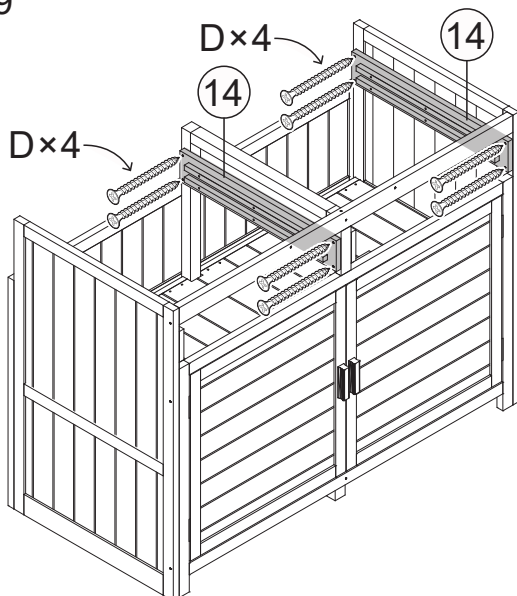
8×1 9×1 10×2

Step8

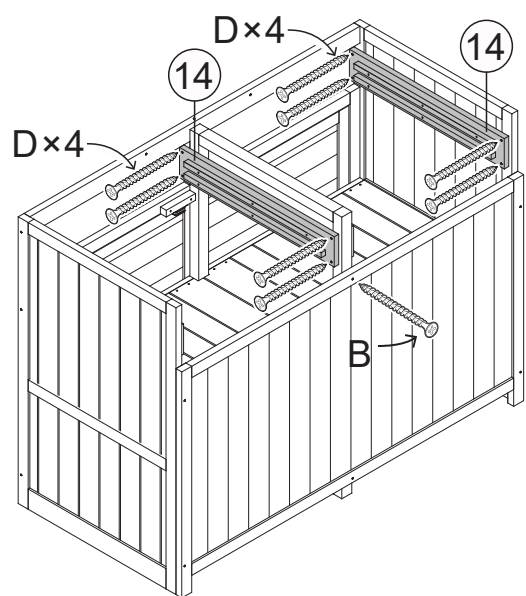


E×8 14×4

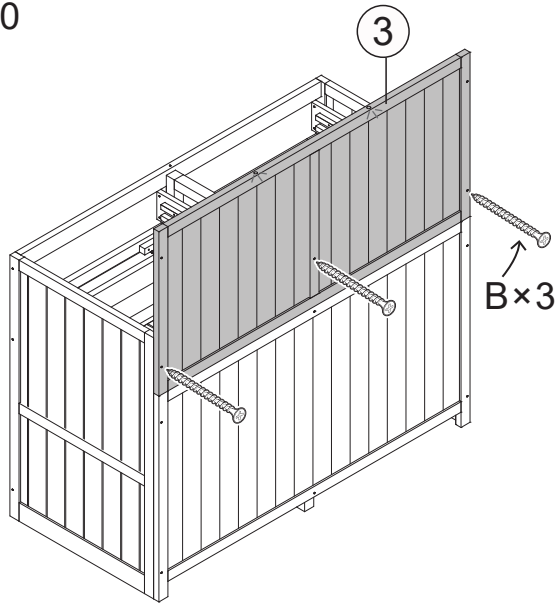
Step9



B×1 D×16

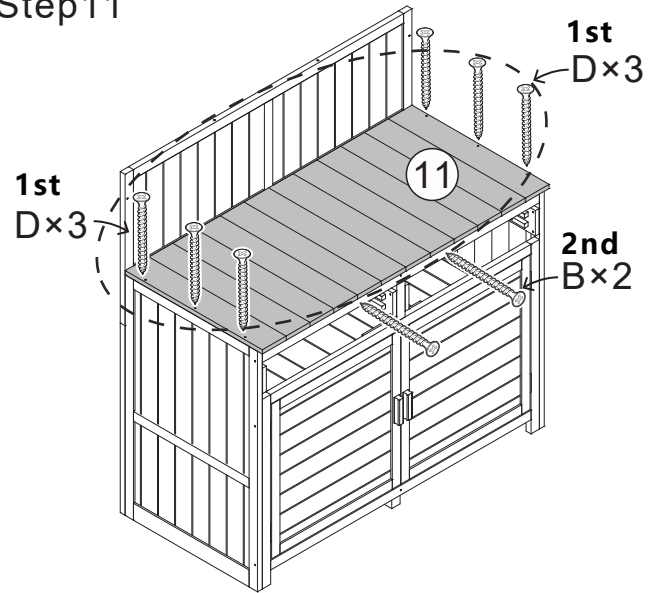


Step10



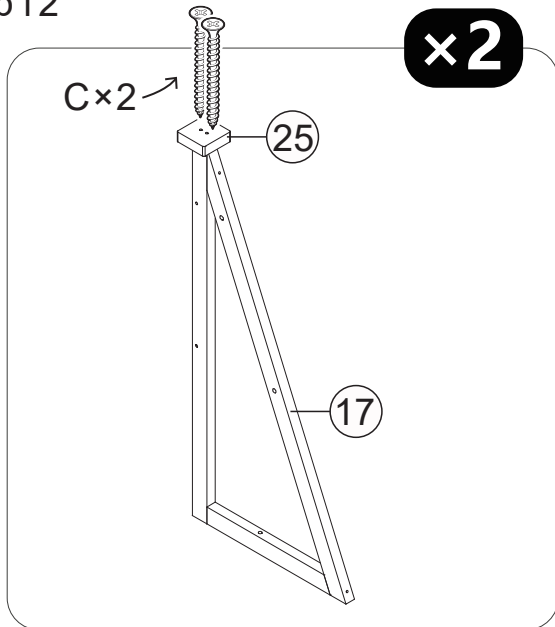
B×3 ③×1

Step11



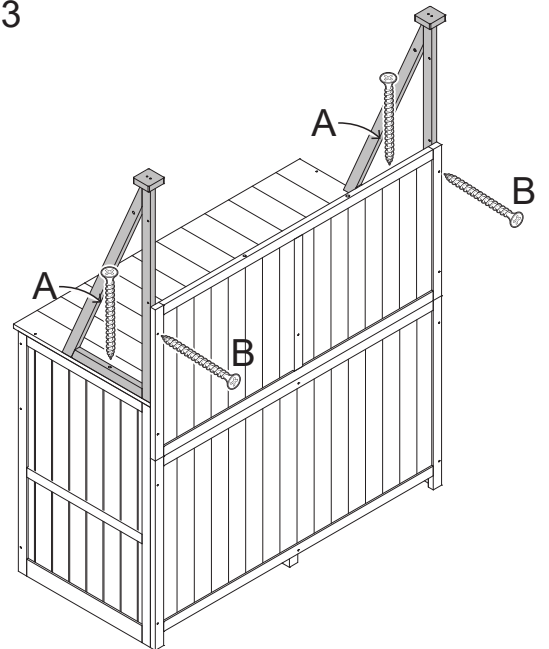
B×2 D×6 ⑪×1

Step12



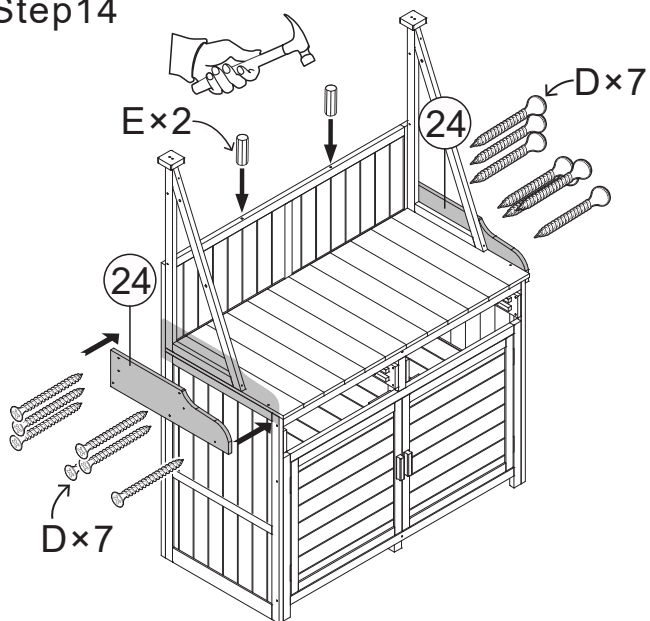
C×4 ⑰×2 ⑳×2

Step13



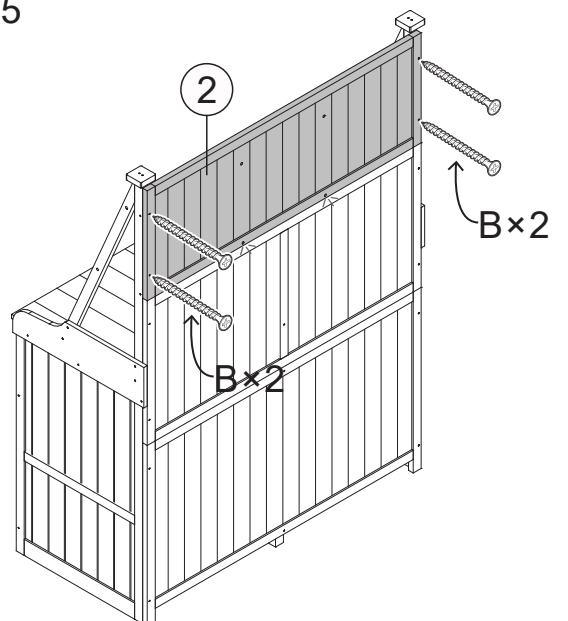
A×2 B×2

Step14



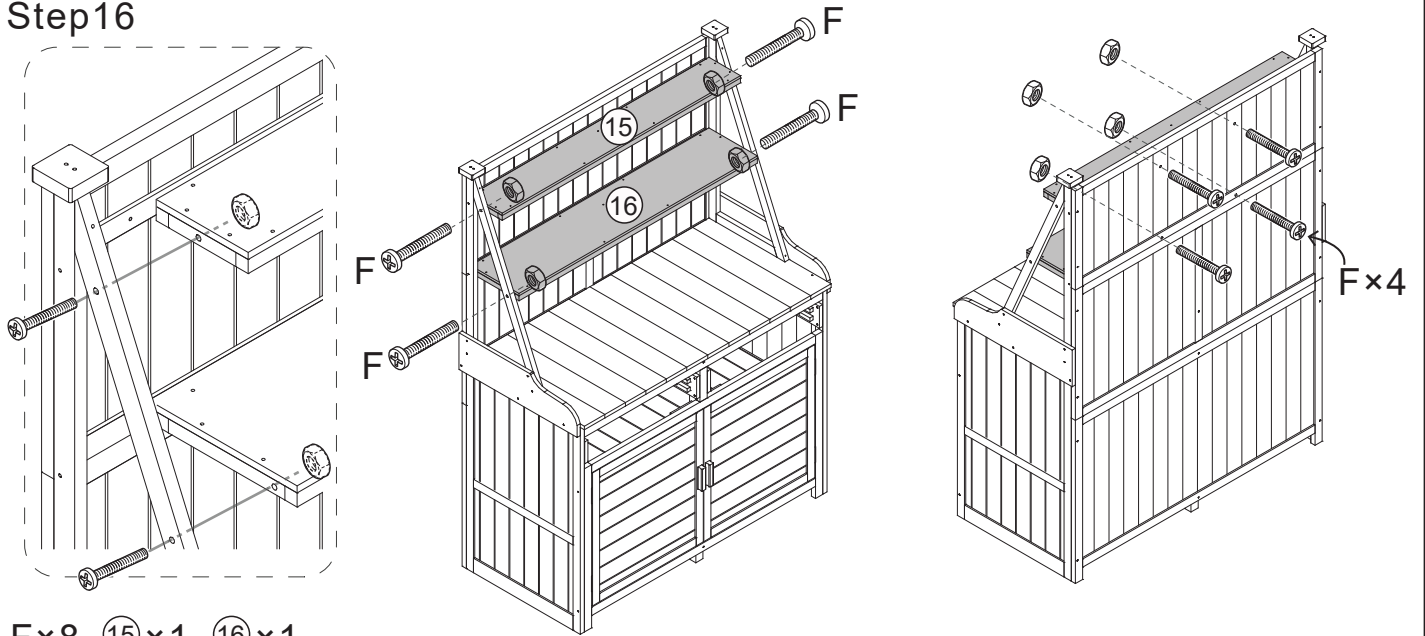
D×14 E×2 ⑳×2

Step15



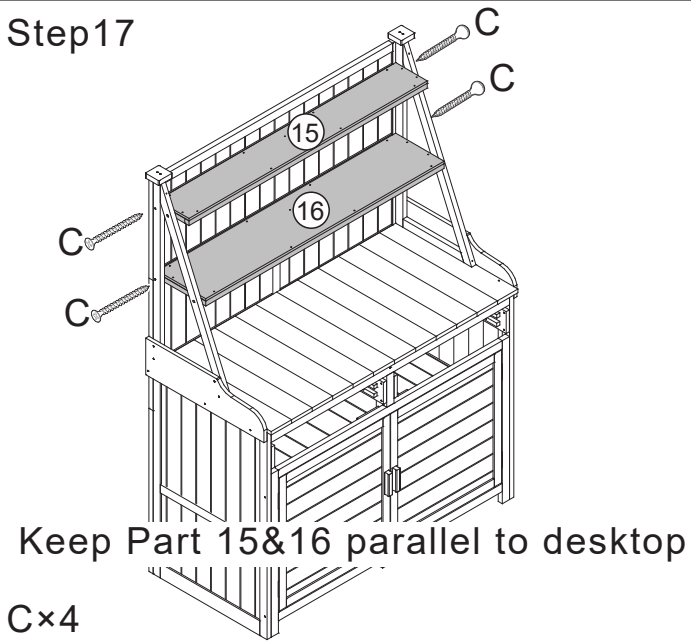
B×4 ②×1

Step16



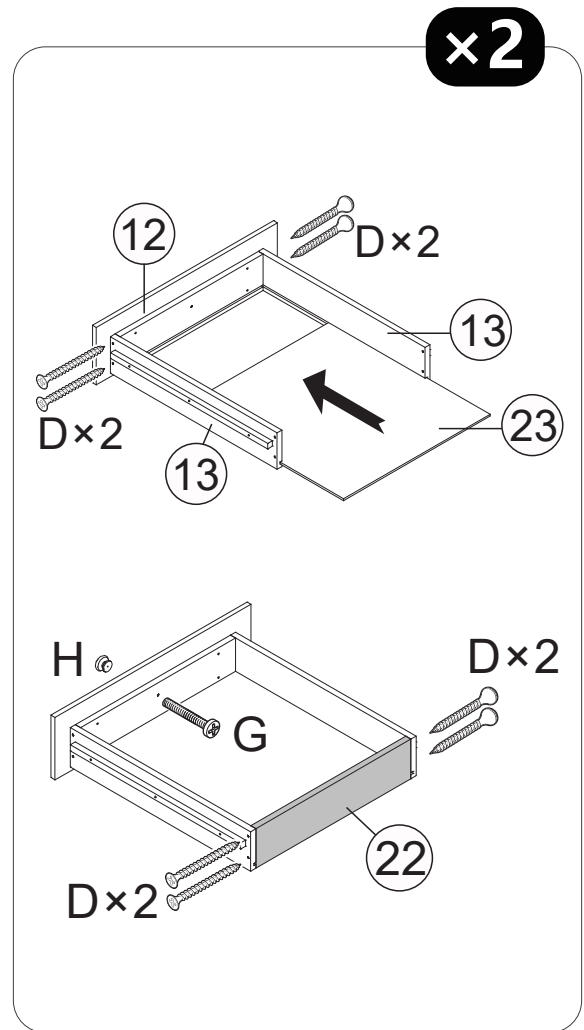
F×8 ⑮×1 ⑯×1

Step17



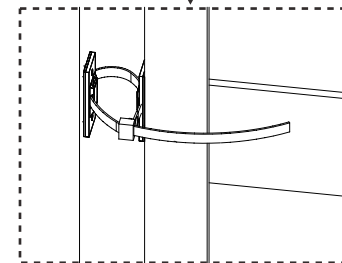
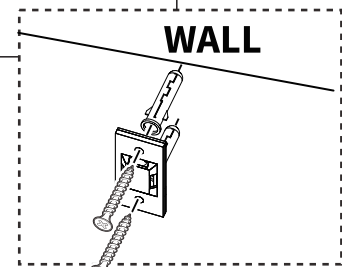
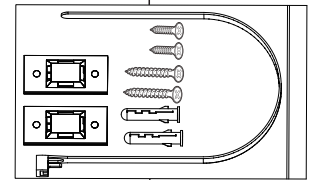
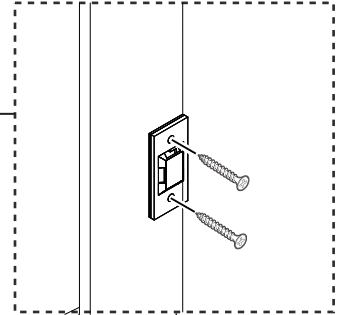
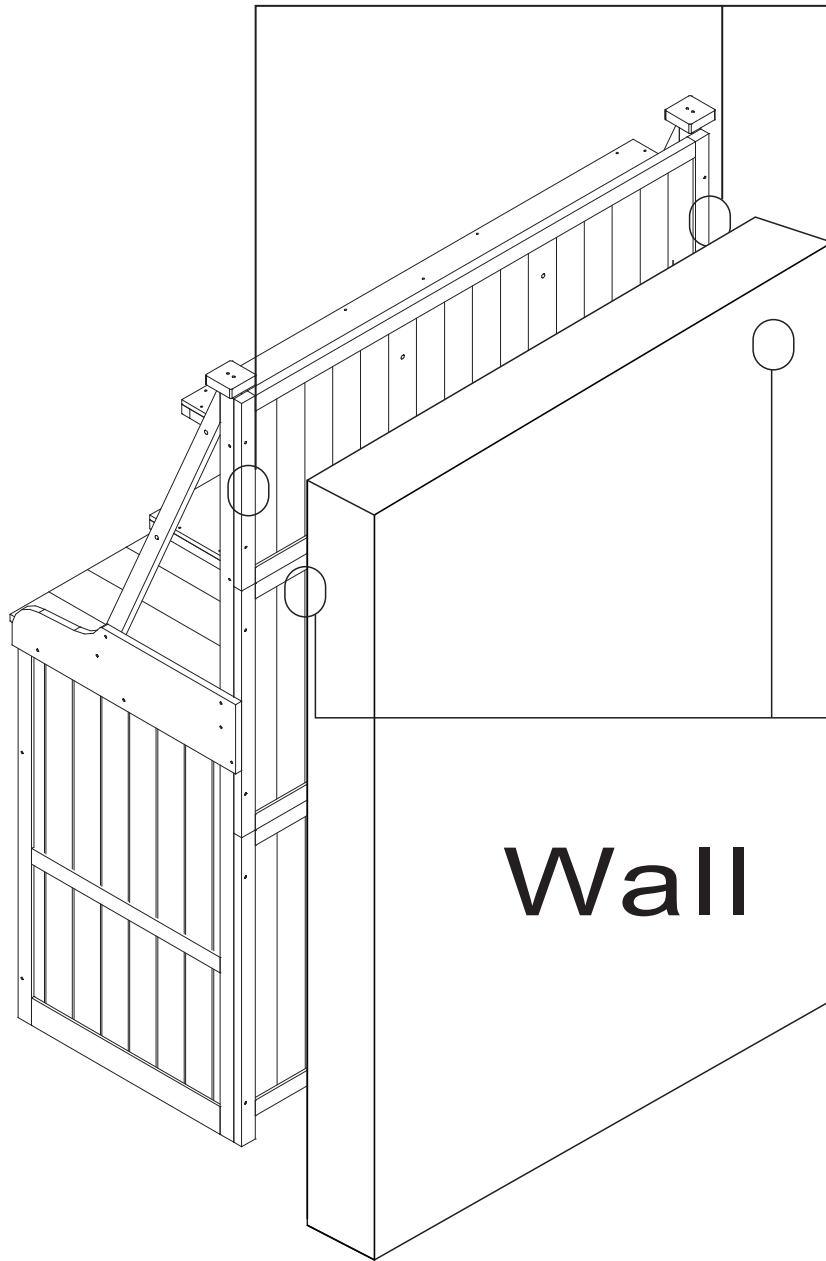
C×4

Step18



D×16 G×2 H×2 ⑫×2 ⑬×4 ⑰×2 ⑱×2

Step20



Done