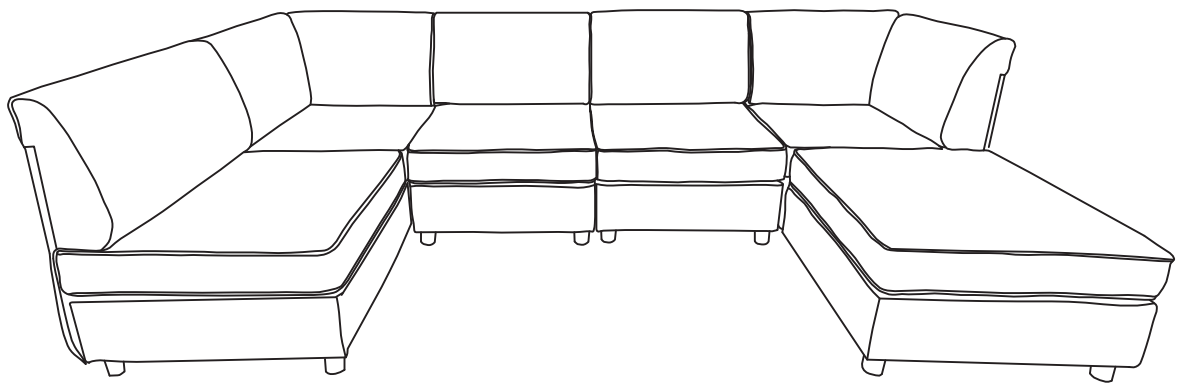


ASSEMBLY INSTRUCTIONS



TIME



2 OF PEOPLE



DIFFICULTY

NOTICE

Instruction Booklet - Important Safety Information

Thank you for choosing our product. Please review this booklet carefully for essential safety information and keep it for future reference.

- Upon receiving the product, ***ensure all parts are present and intact*** before proceeding with installation. Follow the entire installation instructions provided.
- During installation, exercise caution and refrain from immediately tightening screws. Secure all screws to 80% before final tightening.

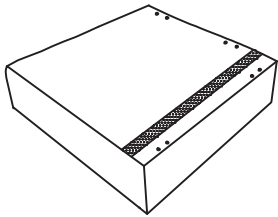
Returns are accepted only for items in their ***original, unopened condition***.



Before installation, please check that the parts are all included !

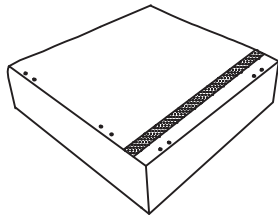
Carton A

Materials ▶ Tips: Left and right directions are determined when seated on the sofa.



Tips:  Velcro

A1 * 1



Tips:  Velcro

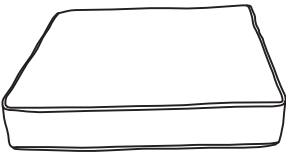
A2 * 1



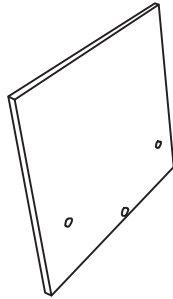
D * 2



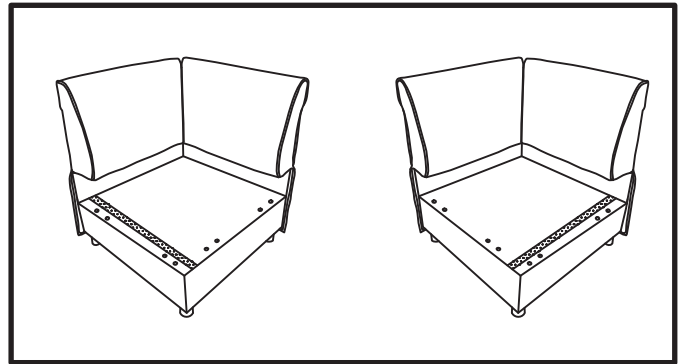
E * 2



G * 2



I * 4



J * 4



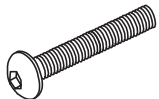
K * 8



L * 8



M * 12



6*35mm

N * 12



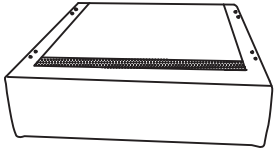
M 6

O * 1

Hardware Box

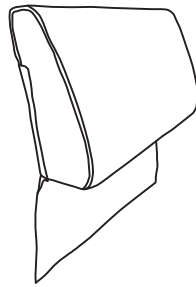
Carton B

Materials ▶ Tips: Left and right directions are determined when seated on the sofa.

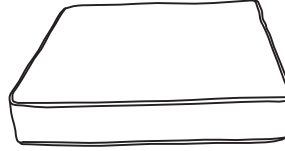


Tips:  Velcro

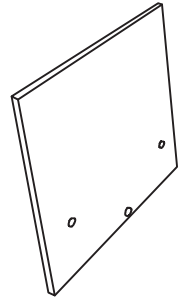
C1 * 2



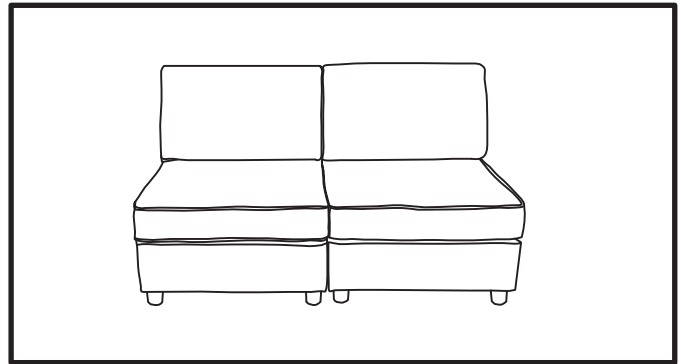
F * 2



G * 2



I * 2



J * 4



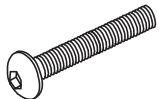
K * 8



L * 8



M * 6



6*35mm

N * 6



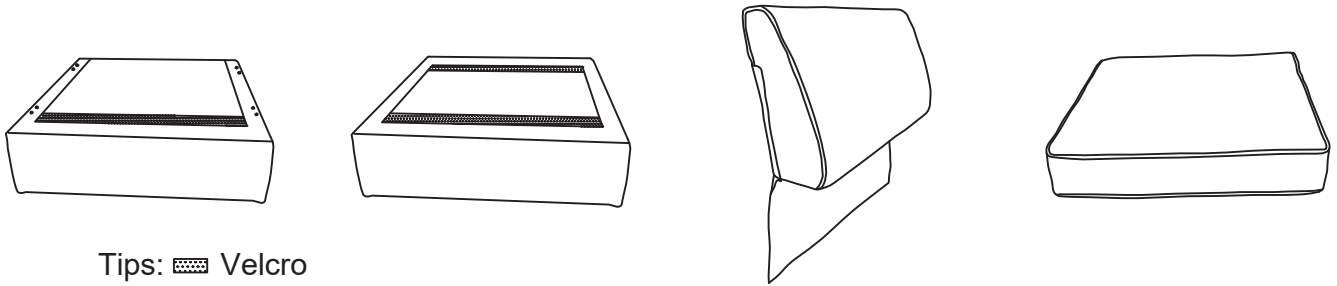
M 6

O * 1

Hardware Box

Carton C

Materials ▶ Tips: Left and right directions are determined when seated on the sofa.



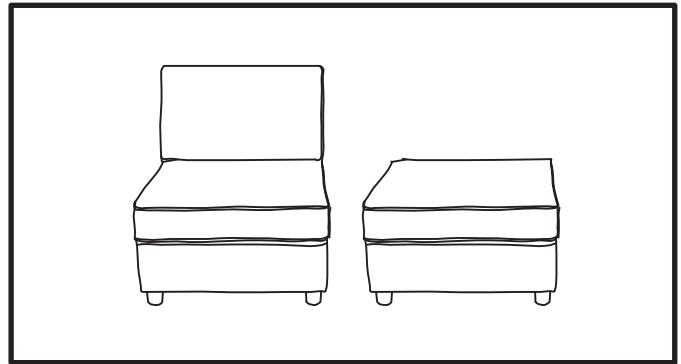
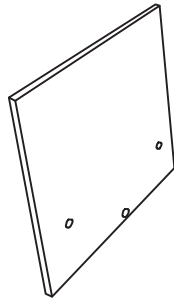
Tips:  Velcro

C2 * 1

B * 1

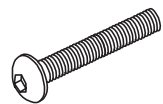
F * 1

G * 1



H * 1

I * 1



6*35mm

K * 8

L * 8

M * 3

N * 3



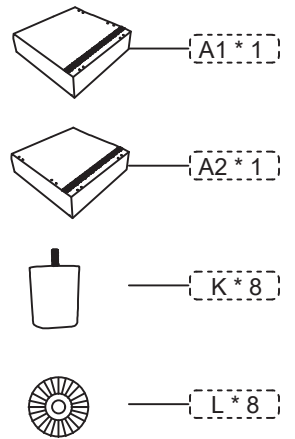
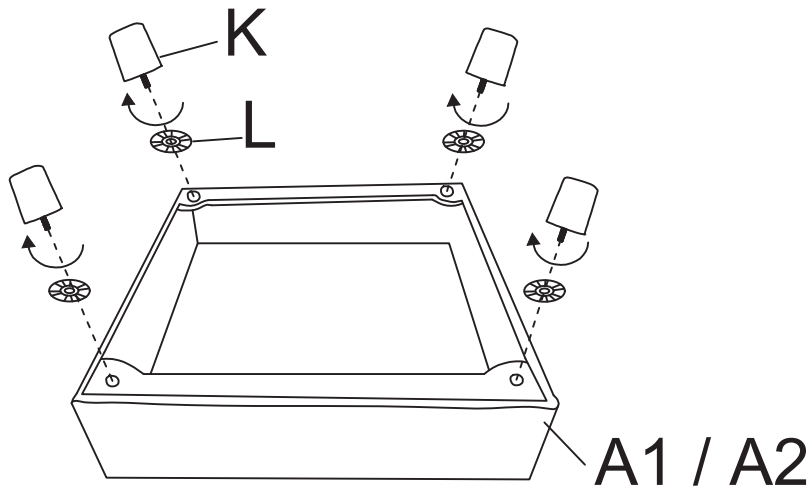
M 6

O * 1

Hardware Box

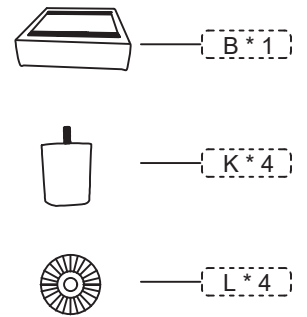
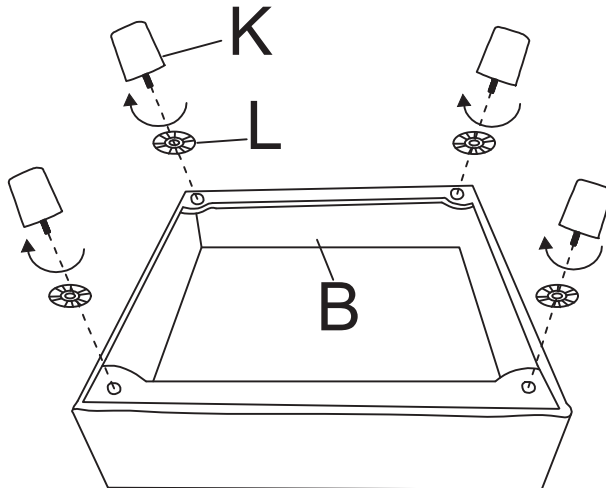
Installation Steps

STEP 1



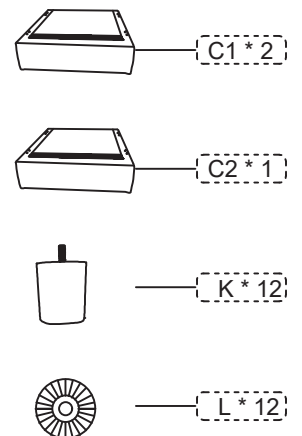
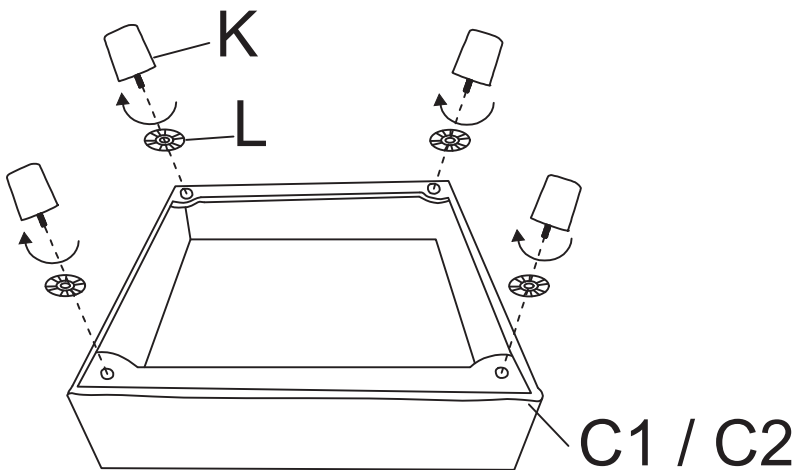
Attach the K feet and L spacers to the seat frame.

STEP 2



Attach the K feet and L spacers to the seat frame.

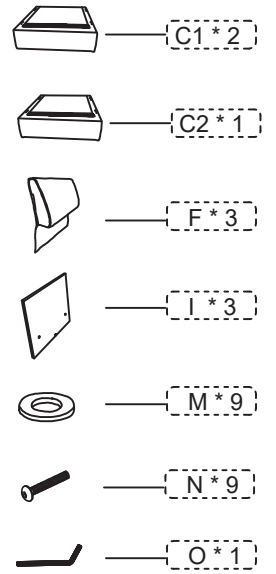
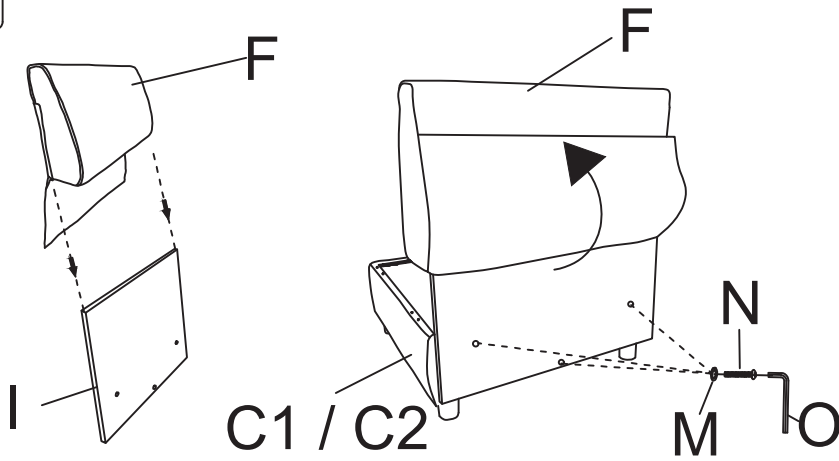
STEP 3



Attach the K feet and L spacers to the seat frame.

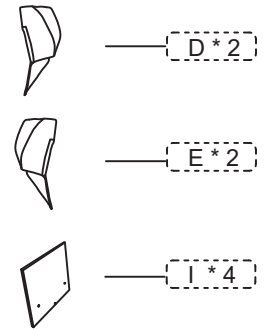
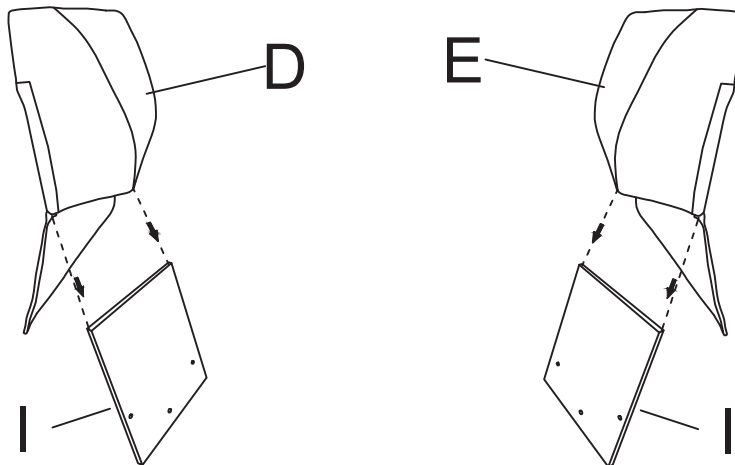
Installation Steps

STEP 4



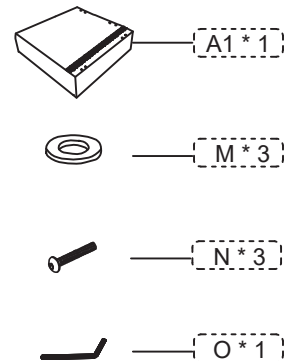
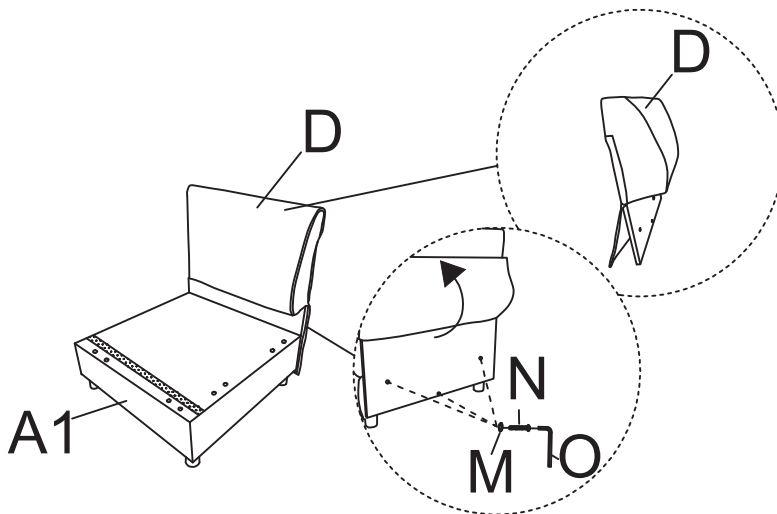
Attach Part I to C1/C2 back. Lift Part F's cover, place Part M on Part N first, then connect Part I to C1/C2 with it. Fasten the center screw before the side ones.

STEP 5



Fit the part D and part E onto the I backrest panel.

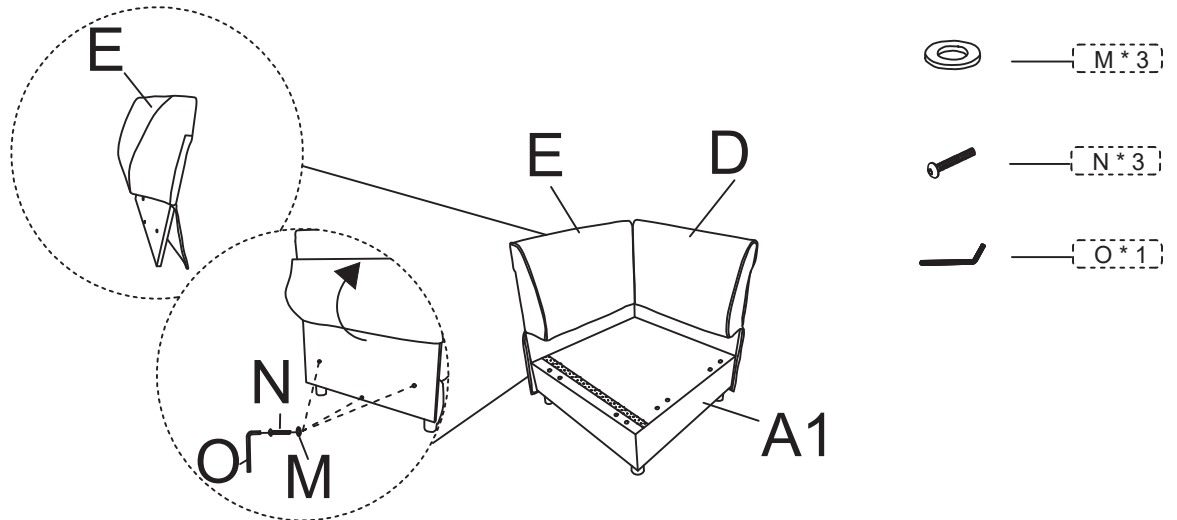
STEP 6



Attach I backplate (with D) to A1. Lift D's cloth; secure with O (M on N). Fasten center screw, then sides.

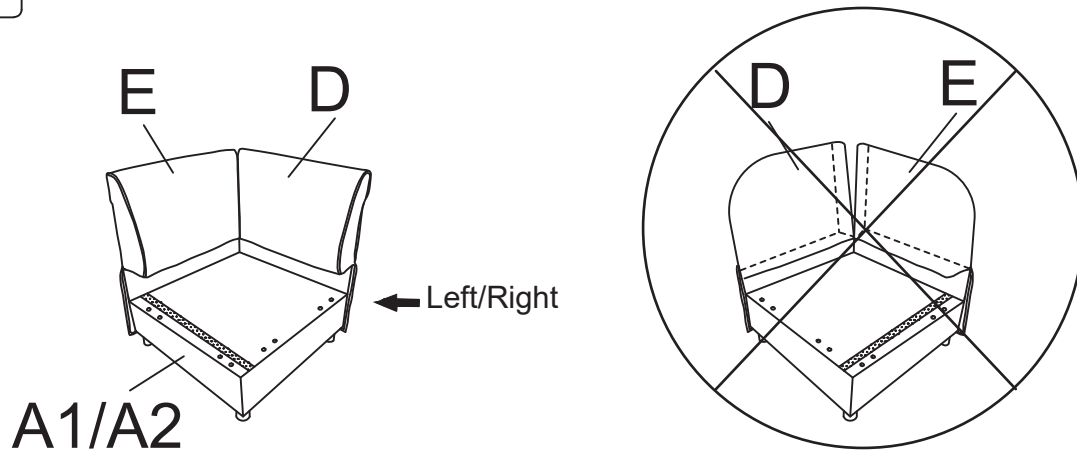
Installation Steps

STEP 7



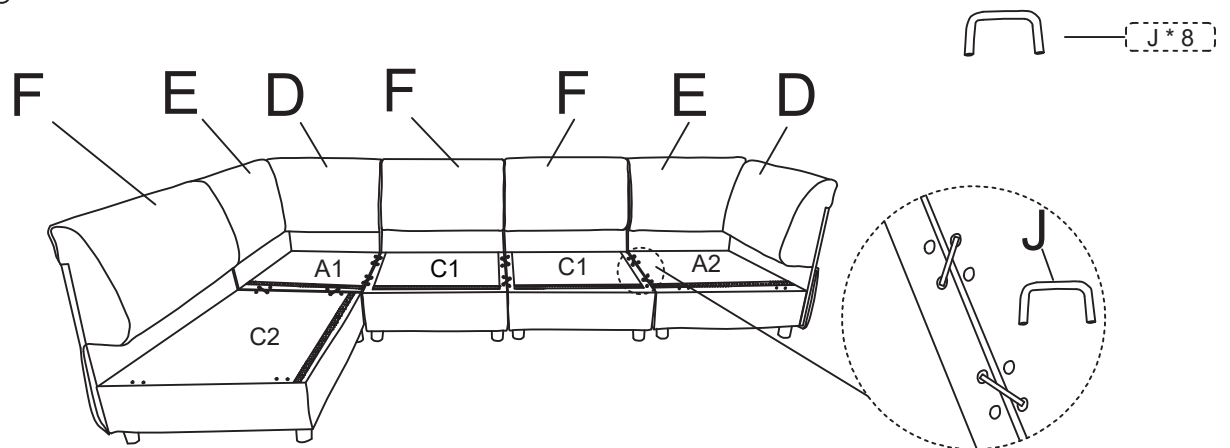
Put part E on part I. Attach Part I to part A1. Lift Part E's cover, place Part M on Part N first, then connect Part I to part A1 with it. Fasten the center screw before the side ones.

STEP 8



Refer to STEPS 6 & 7 to complete the assembly.

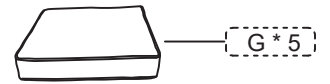
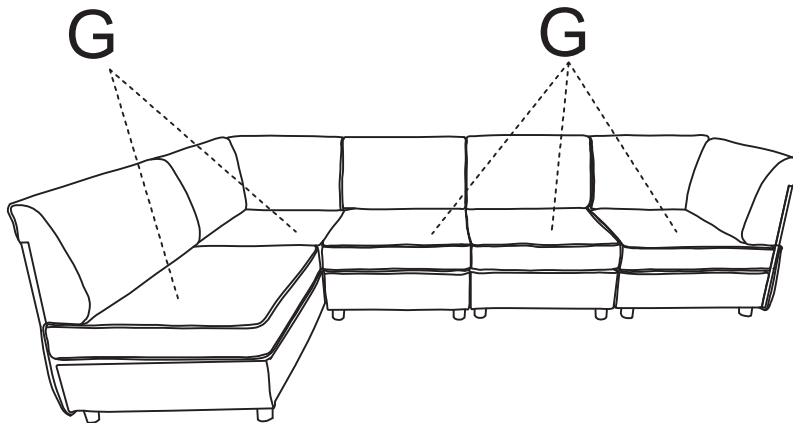
STEP 9



For stability, secure positions with J accessories, forming a trapezoid.

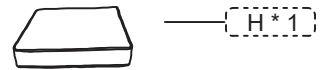
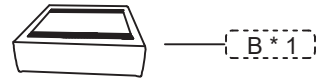
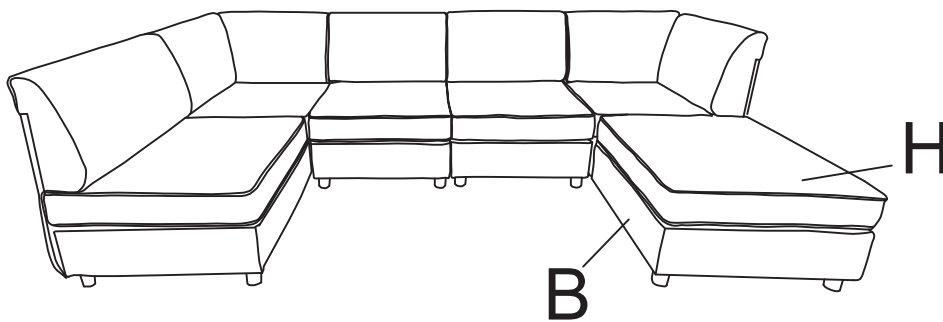
Installation Steps

STEP 10



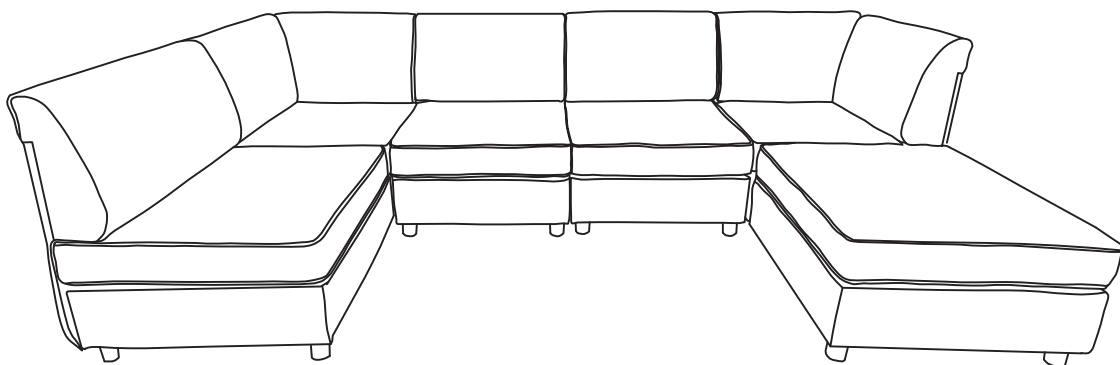
Gently lift all back cushions and tuck them under the G seat cushion.

STEP 11



Place the H seat cushion on top of the B seat frame to create the footrest position.

STEP 12



Frequently Asked Questions

We understand that receiving damaged or defective products can be disappointing, and we're here to assist you every step of the way. Here's how to address common concerns and initiate a damage claim:

1.What should I do if my shipment is damaged or products received are defective?

We're genuinely sorry to hear about any inconvenience caused. Please reach out to us promptly, and our team will prioritize resolving the matter swiftly and effectively, please retain the original box in case a return is required.

2.Can I return the product if I'm not satisfied?

While we uphold stringent quality standards and collaborate with experienced manufacturers, we acknowledge that dissatisfaction may arise. If you're still unsatisfied, of receiving the product. Simply message us with your reasons for return, and we'll facilitate the process.