

10ft Patio Umbrella



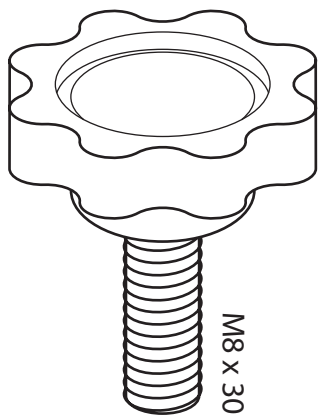
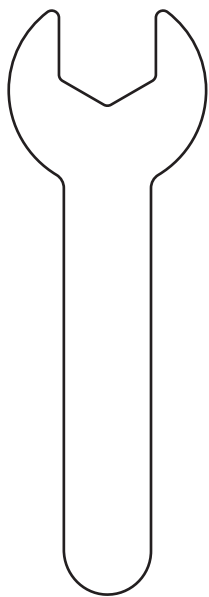
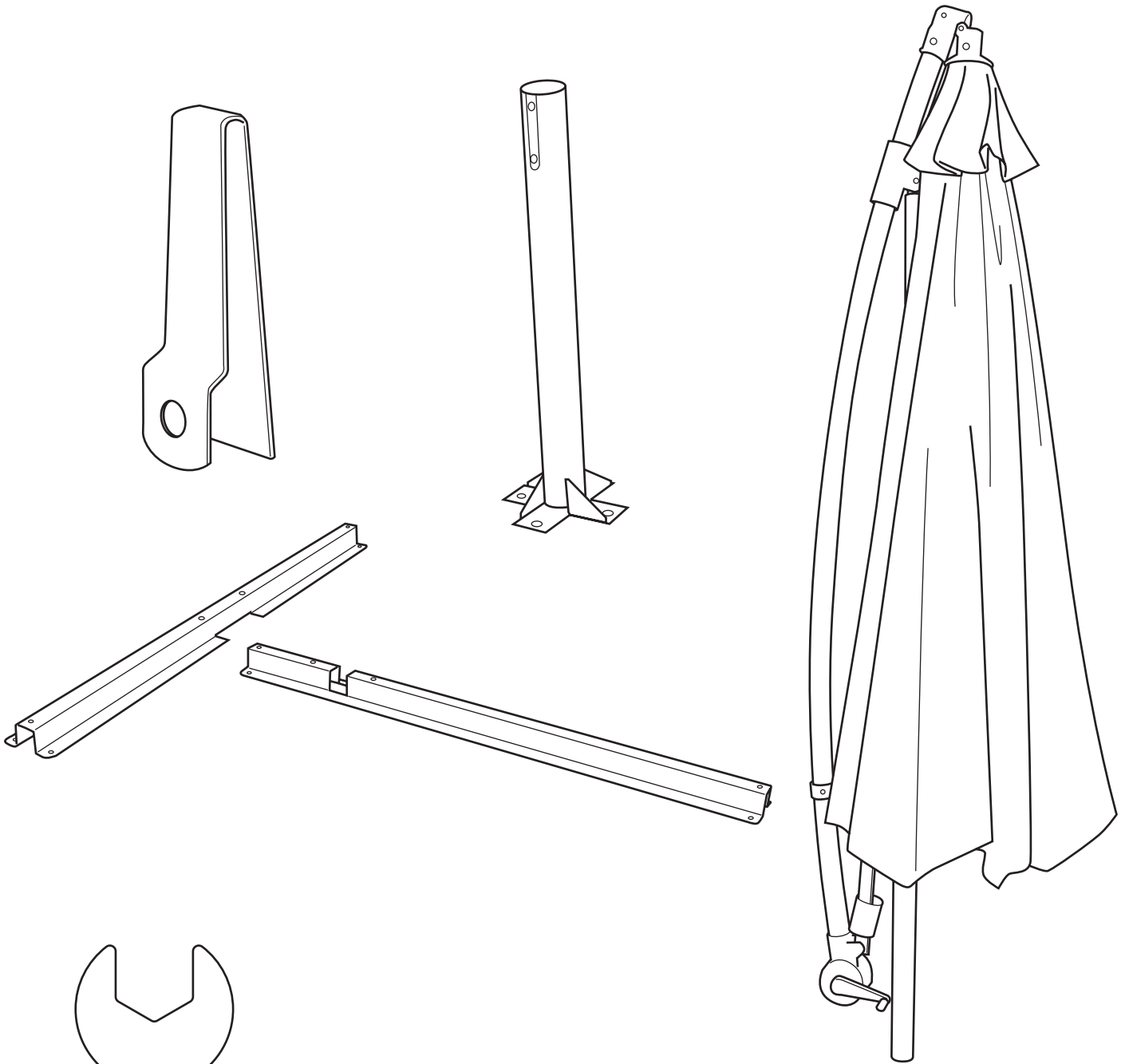
Estimated Time for Assembly

10:00

Tools Needed (Not included)

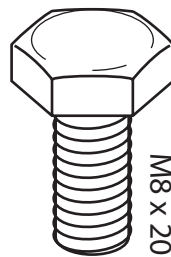
All necessary tools are included in the package.

PACKAGE CONTENT



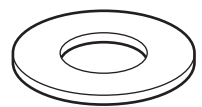
M8 x 30

2x



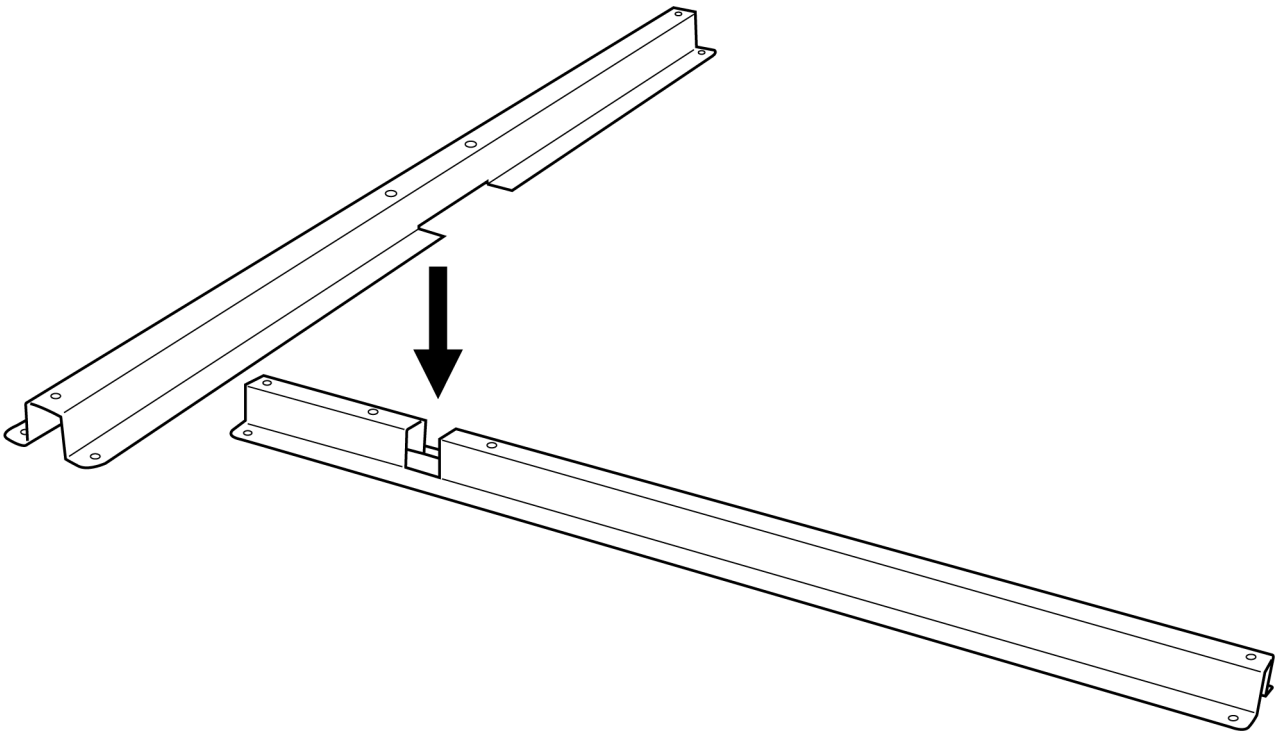
M8 x 20

4x

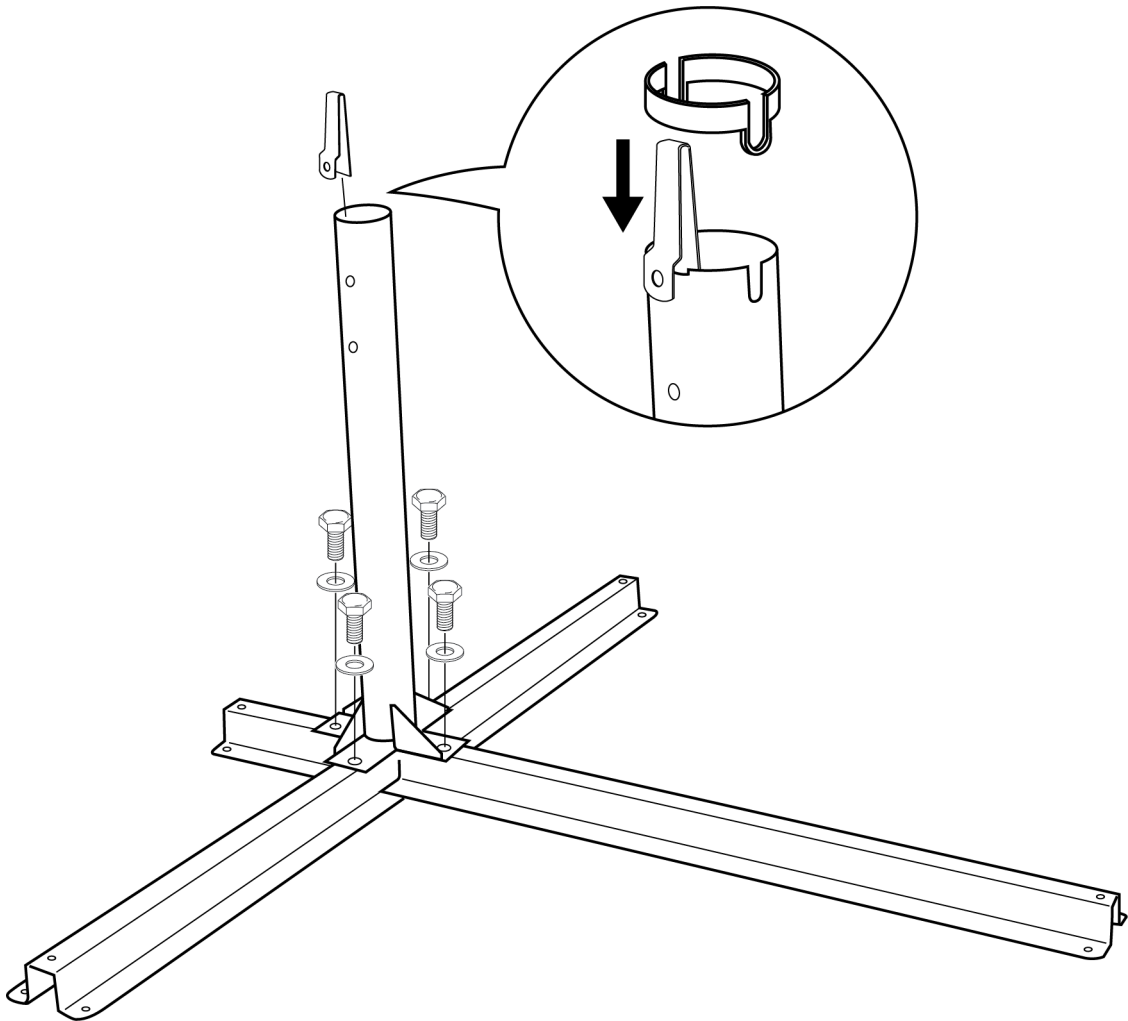


4x

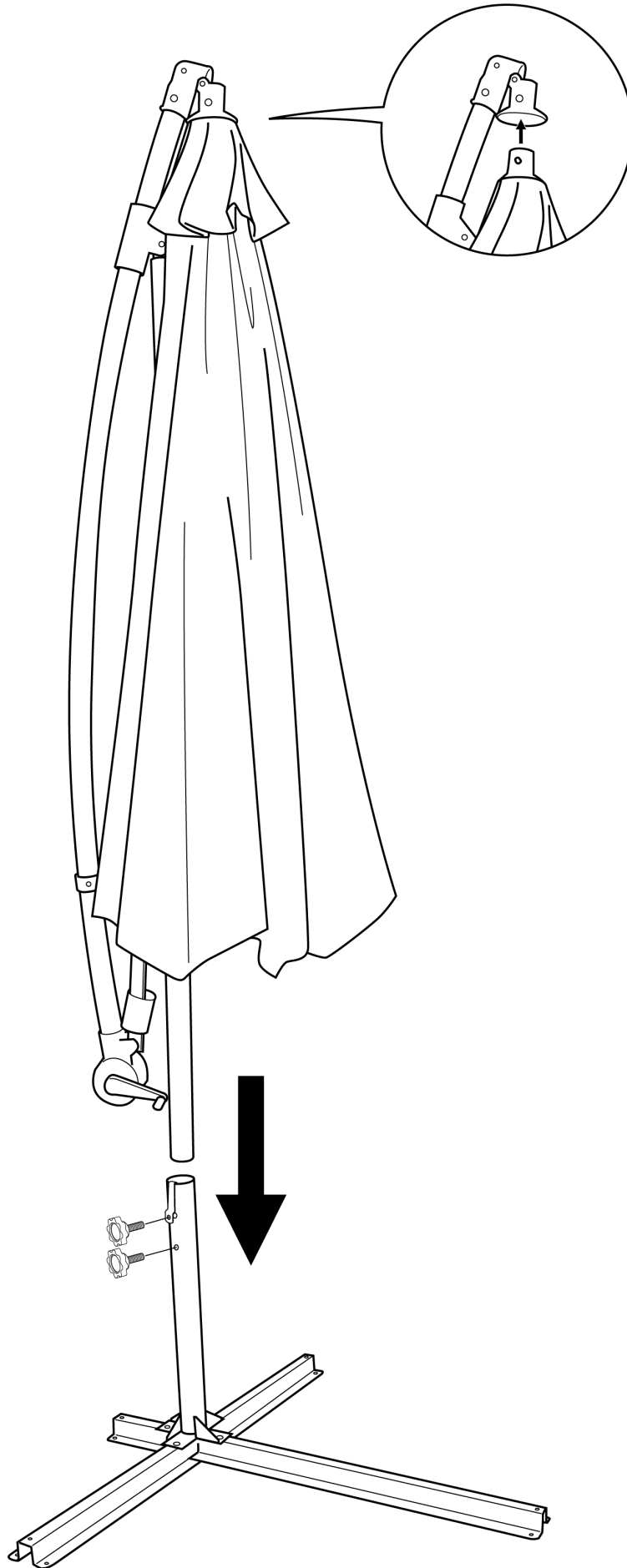
1



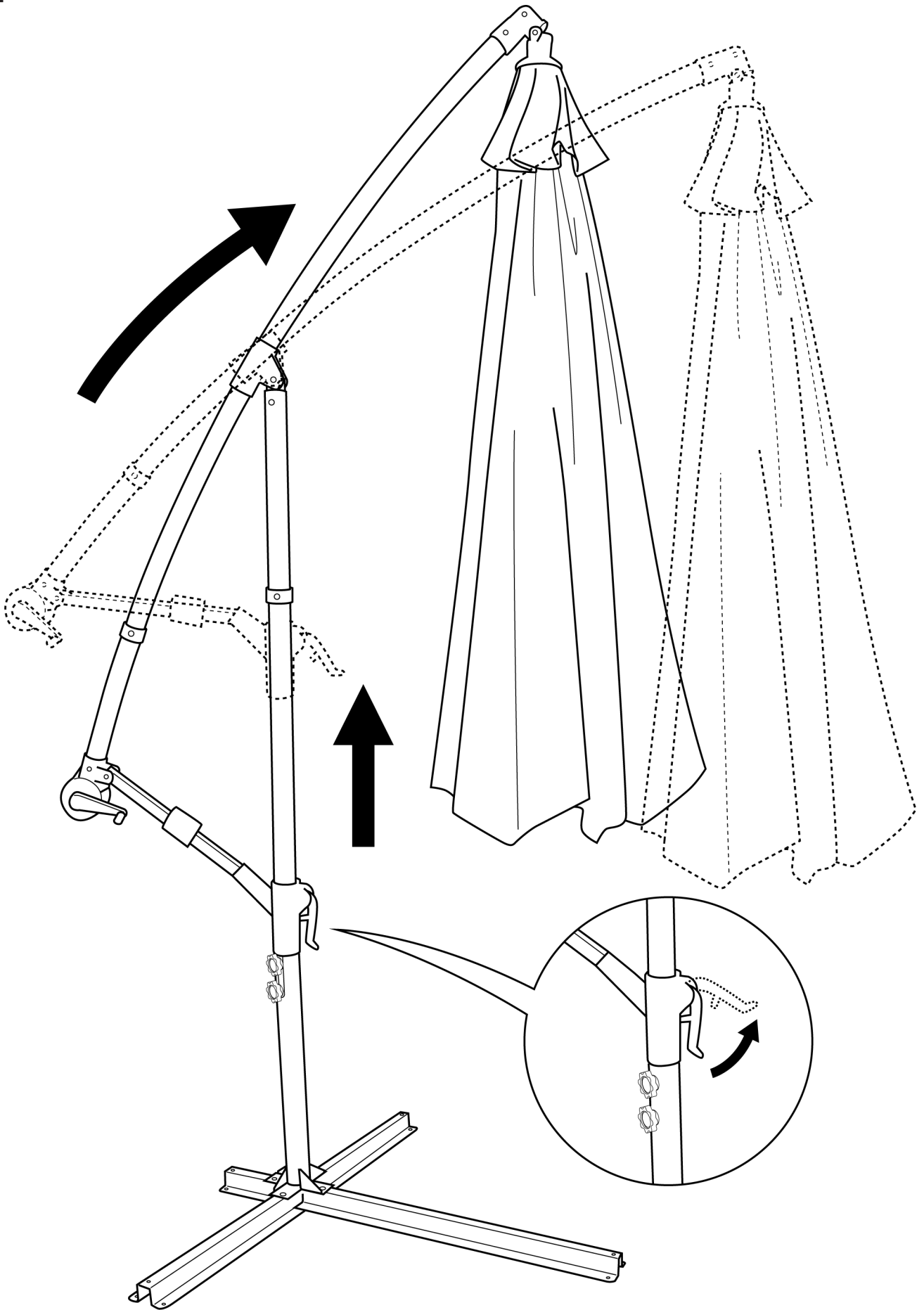
2



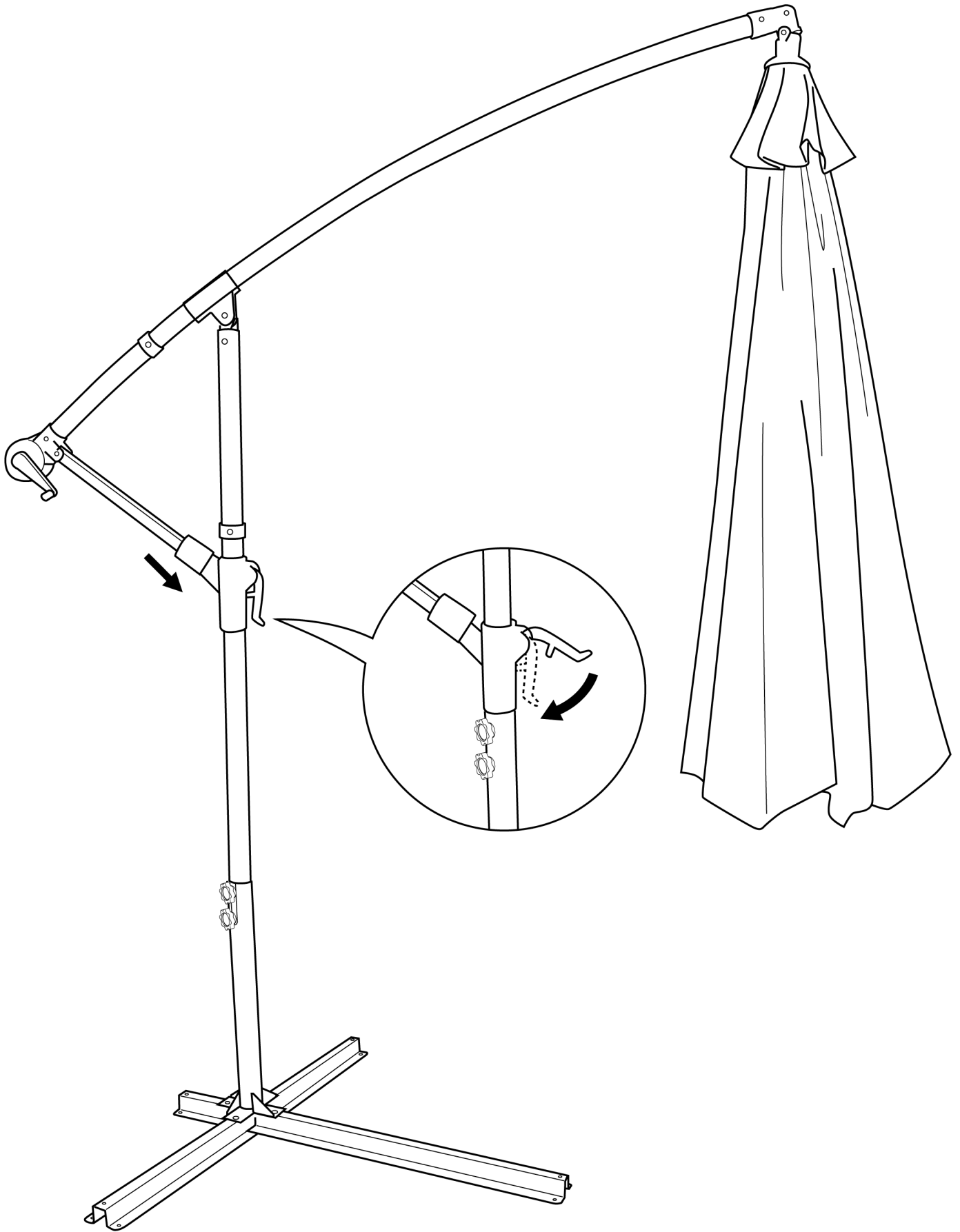
3



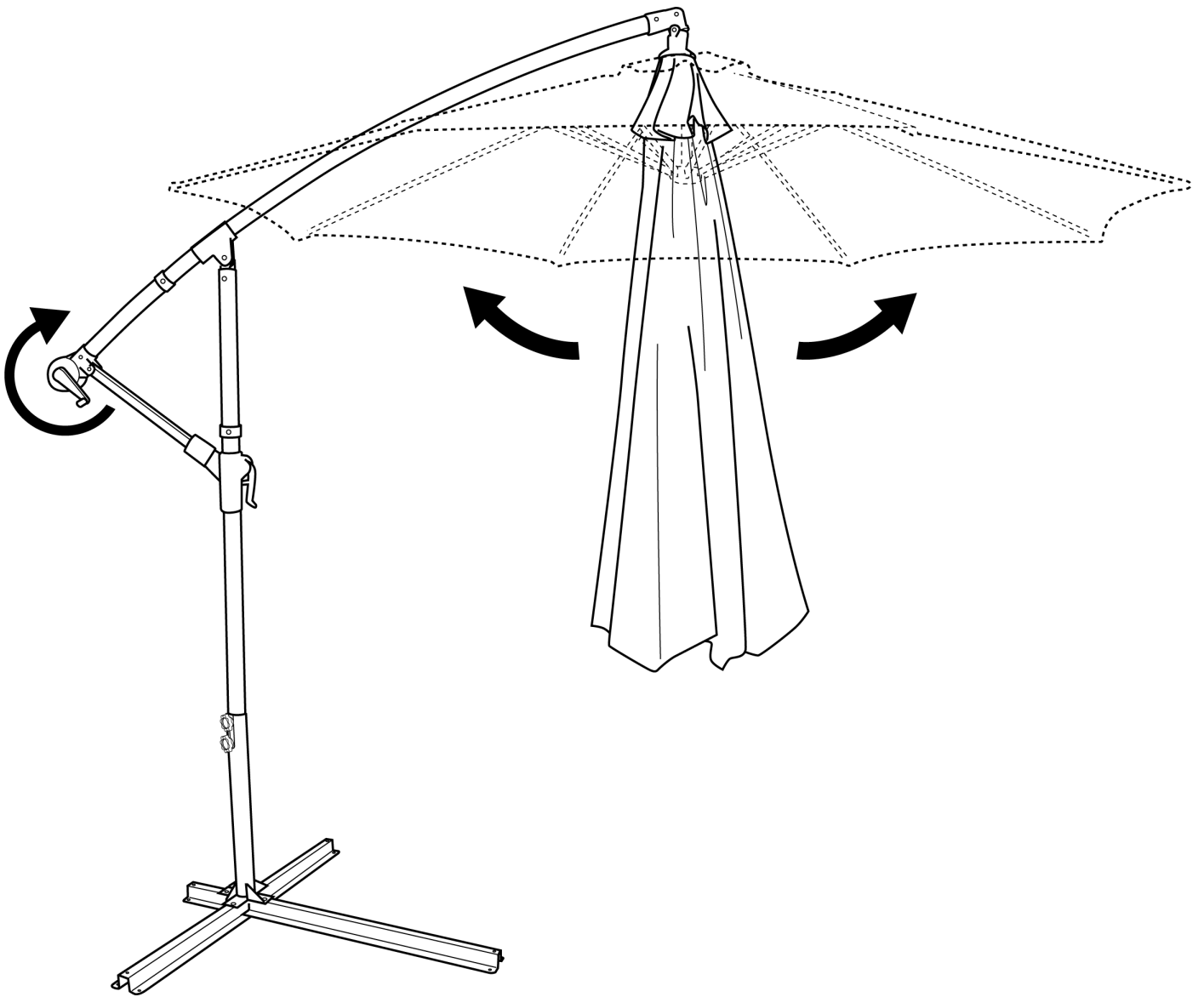
4



5

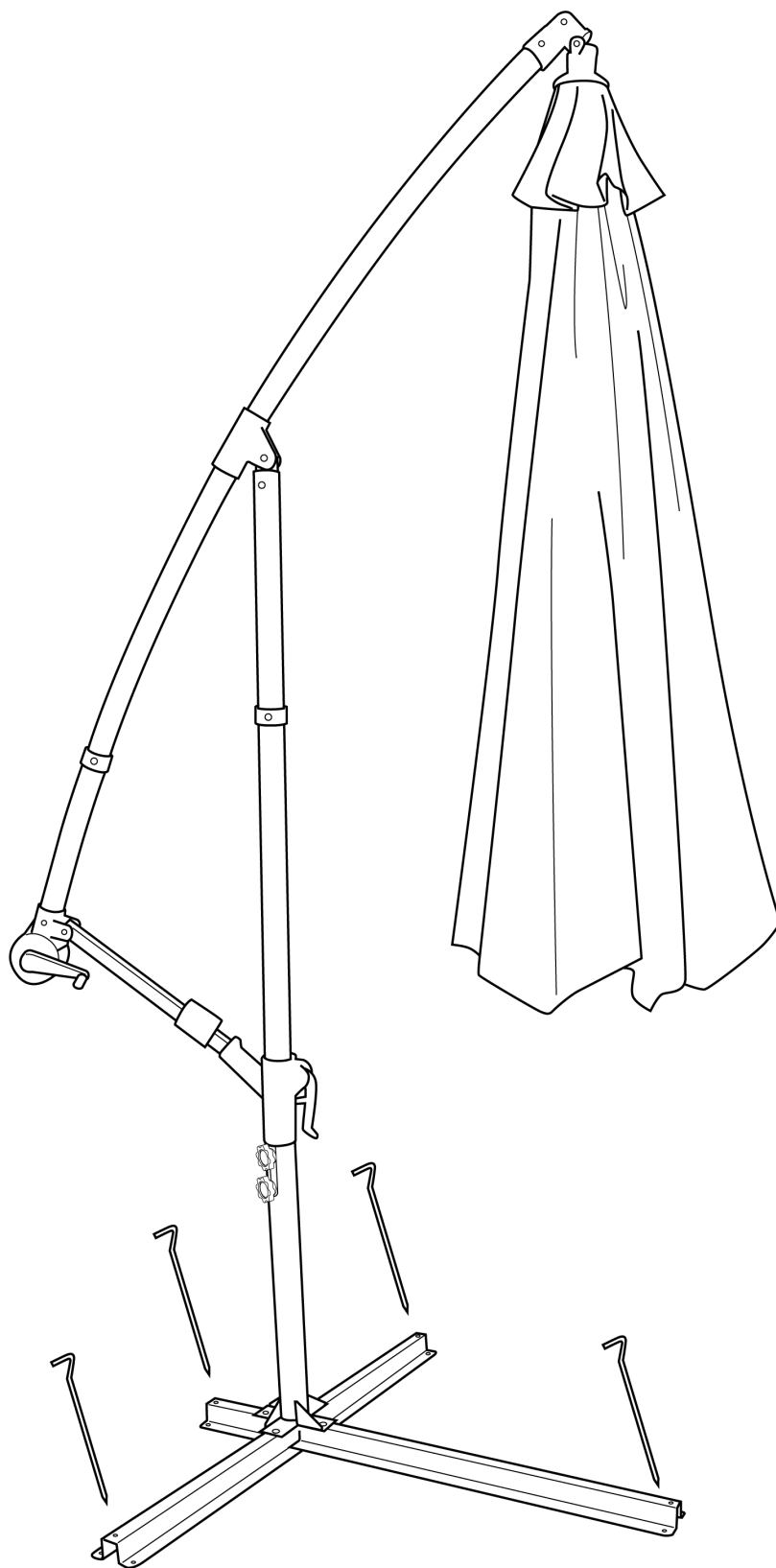


6



NOTE: Close the umbrella when not in use or during rainy or windy days to prevent damage.

7



Nail the base on the ground using camping stakes (Not included) to prevent the umbrella from falling.

FINISH!

FURNITURE CARE AND MAINTENANCE

Patio Umbrella

Thank you for your purchase. We want your item to last as long as possible. To ensure the product gives you years of service, please refer to this care and maintenance guide.



MAINTENANCE

- Store the umbrella and cover with commercial furniture cover when not in use.



CLEANING

- Clean the surface with moist cloth and mild detergent.
- ⚠ DO NOT use abrasive materials or cleaner on the product.



STORAGE

- All furniture should always be air dried before storage.
- To protect the appearance, the furniture should be protected from all severe weather or strong direct sunlight and stored under cover.

⚠ WARNING

Manufacturer and seller expressly disclaim any and all liability for personal injury, property damage or loss, whether direct, indirect, or incidental, resulting from the incorrect attachment, improper use, inadequate maintenance, unapproved modification, or neglect of this product.