

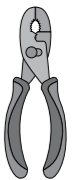
INSTALLATION MANUAL

CHANDELIER

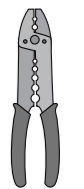
TOOLS REQUIRED



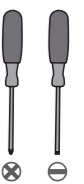
Ladder



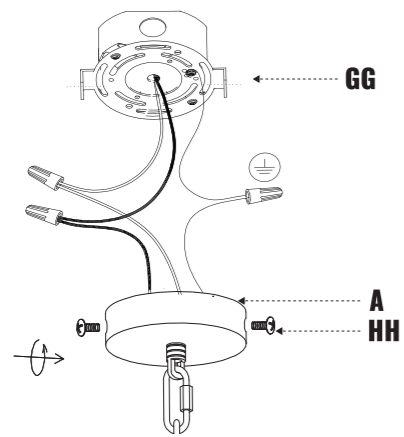
Pliers



Wire Strippers



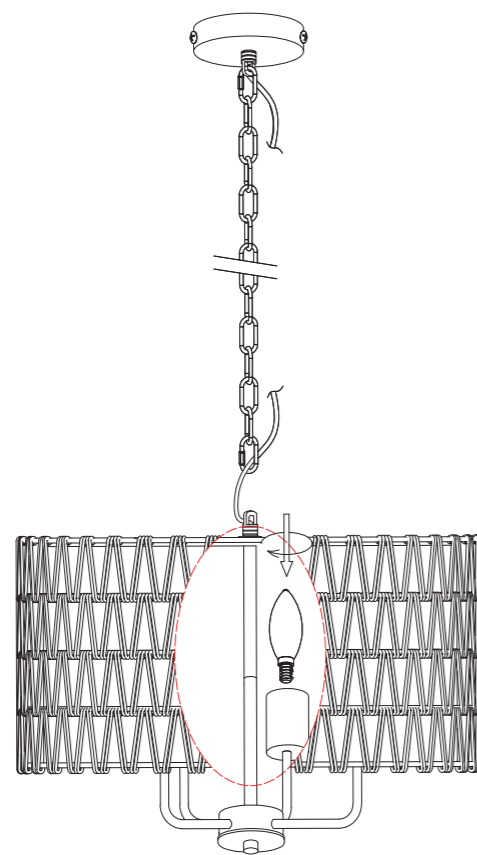
Screwdrivers



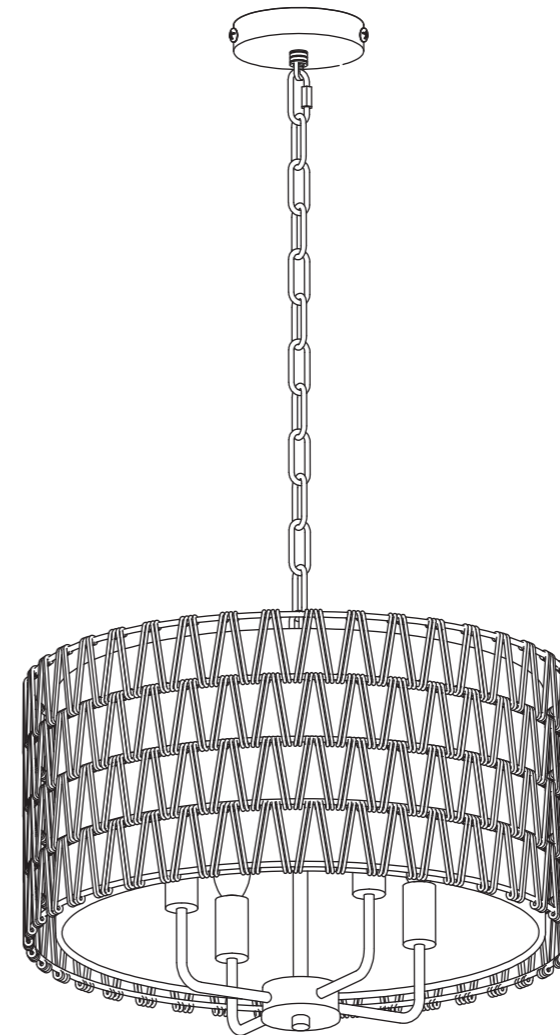
3. Fix the Canopy

Fix the canopy (A) on to the mounting bracket (GG) with bracket screw (HH) taken off.

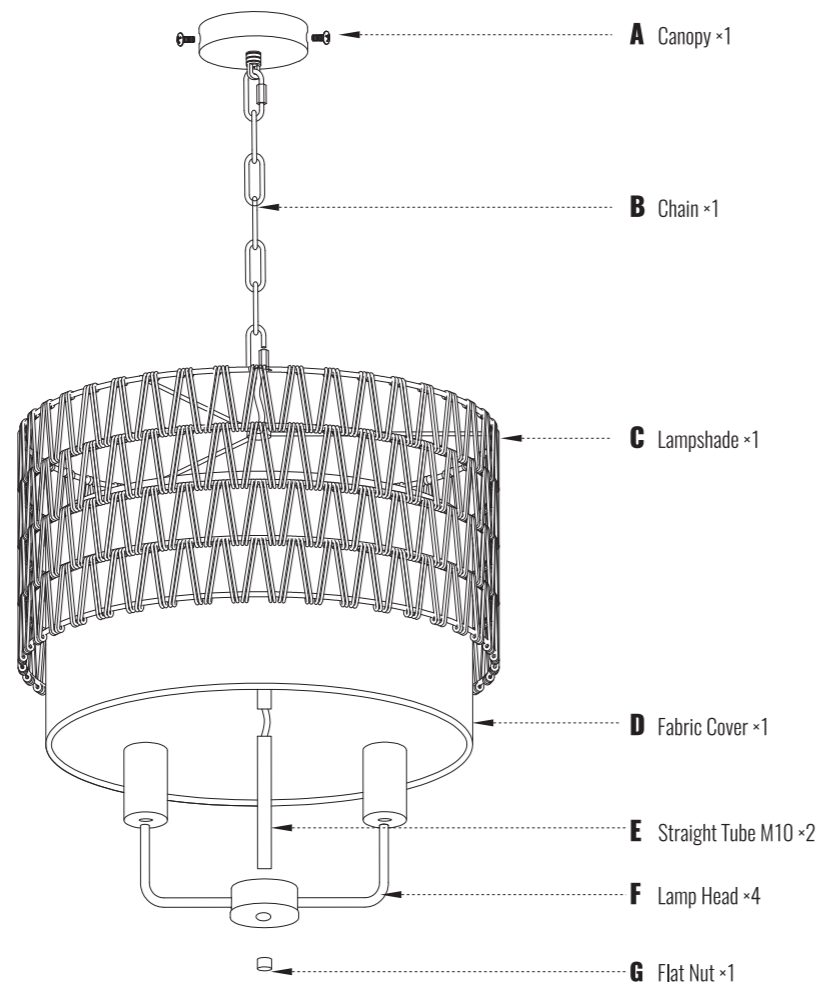
Install Bulb




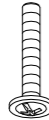

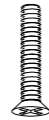

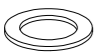
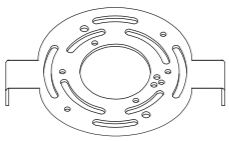


Install E12 LED lamps x 4 (Max 9W each, not included)



PACKING LIST



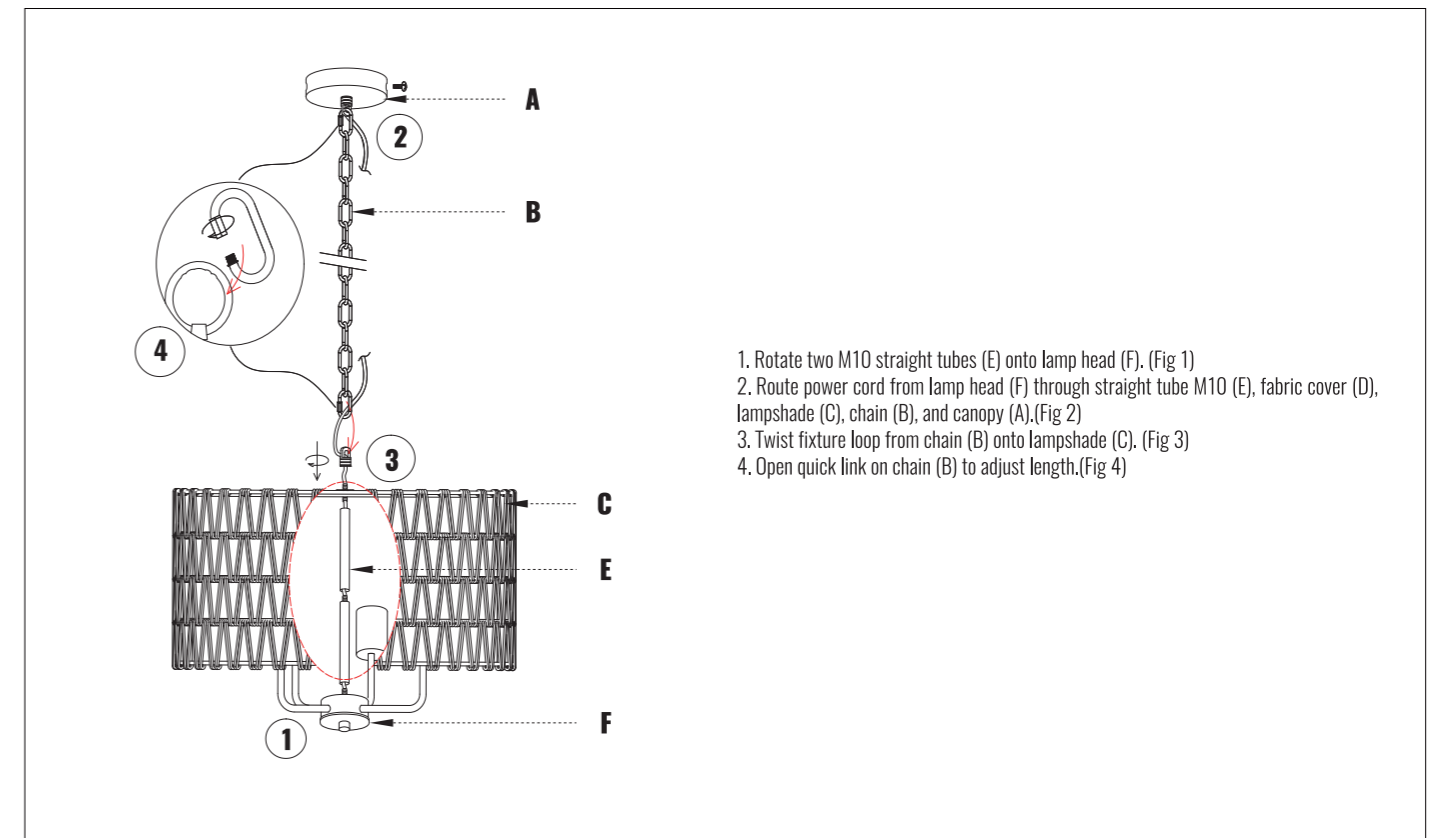
INSTALLATION KIT

AA	3×	BB	2×	CC	1×	DD	2×	EE	4×
									
Wire Nut		Outlet Box Screw		Ground Screw		Long Screw		Hex Nut M4	
FF	2×	GG	1×	HH	2×	JJ	1×		
									
Flat Washer		Mounting Bracket		Bracket Screw		Glove			

NOTE:

The ground screw (CC) and parts (DD), (EE), (FF), (GG), (HH) are pre-assembled with canopy (A).

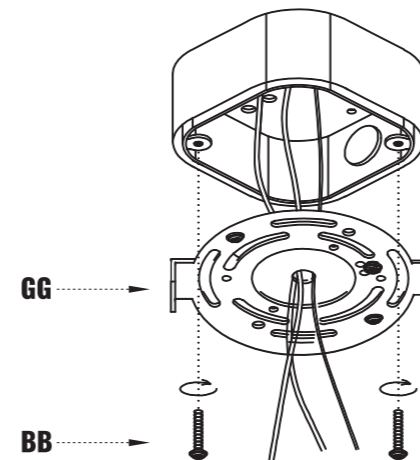
INSTALLATION



MOUNTING AND WIRING

1. Install Mounting Bracket

1. Loosen the bracket screw (HH) from canopy (A), take out the mounting bracket (GG).
2. Take off the screws from outlet box, secure the mounting bracket (GG) onto the box with screws taken off or outlet box screw (BB).



2. Connect the Power Wires and Ground Wire

1. Connect the wires from the fixture to the house supply wires with wire nuts (AA), ground wire (green, green/yellow, or bare) to ground wire, neutral wire (white) to neutral wire, and hot wire (black) to the hot wire. Wrap the connection with electrical tape.
2. Spread apart the wires so that the hot wires are on one side of the outlet box and the neutral wires are on the other side.

