

ASSEMBLY INSTRUCTIONS

- ITEM #: 8000099

Page 01 of 02

HARDWARES



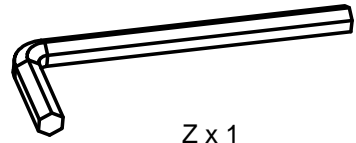
A x 16
M6 x 30mm



B x 16
M6 x 2mm

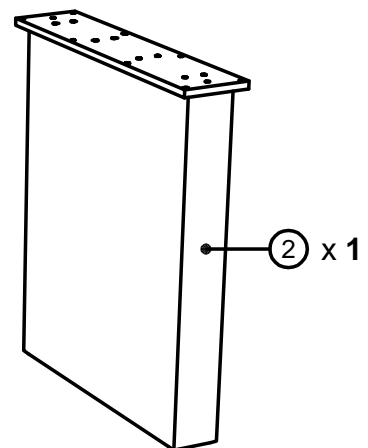
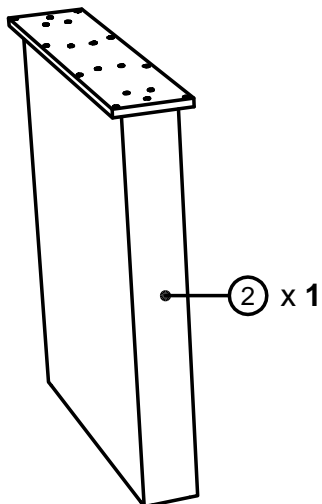
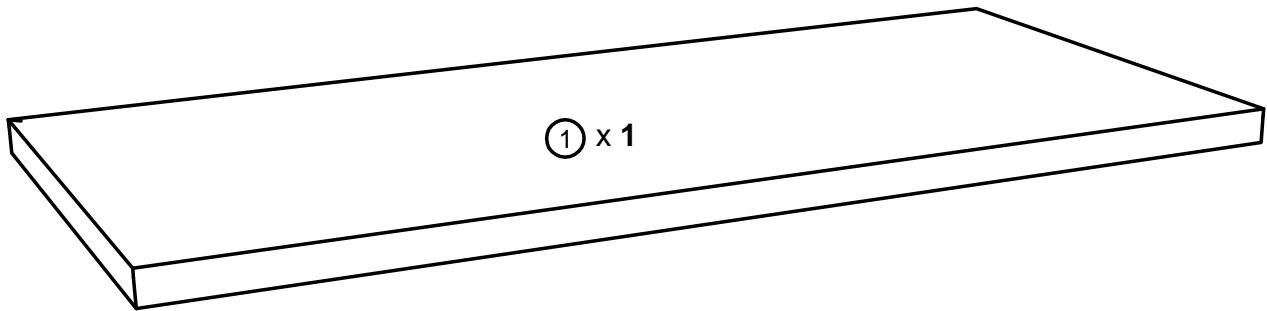


C x 16
Ø8.5 x 20 x 2mm

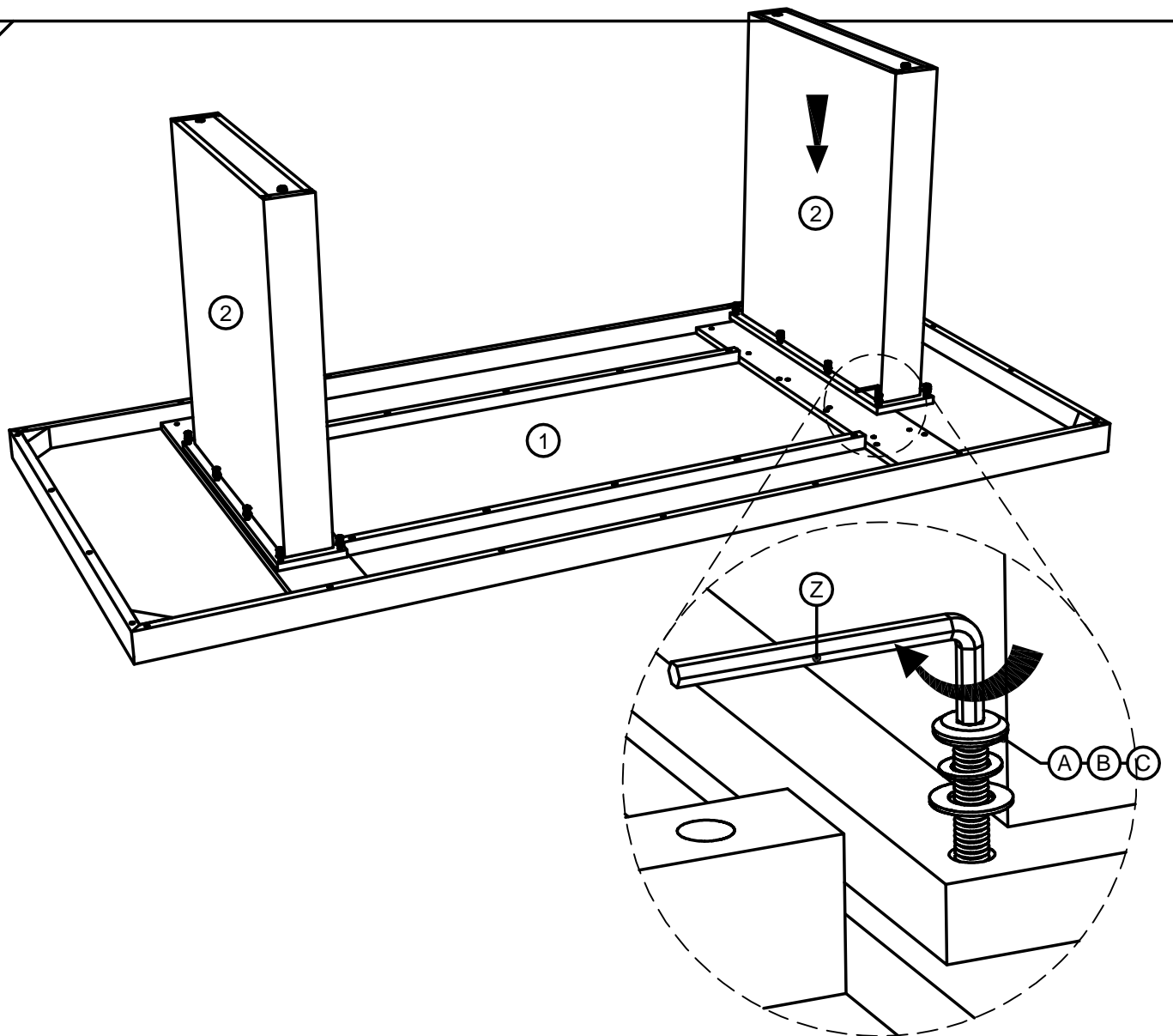


Z x 1
M4 x 30 x 107

PARTS



1



2

