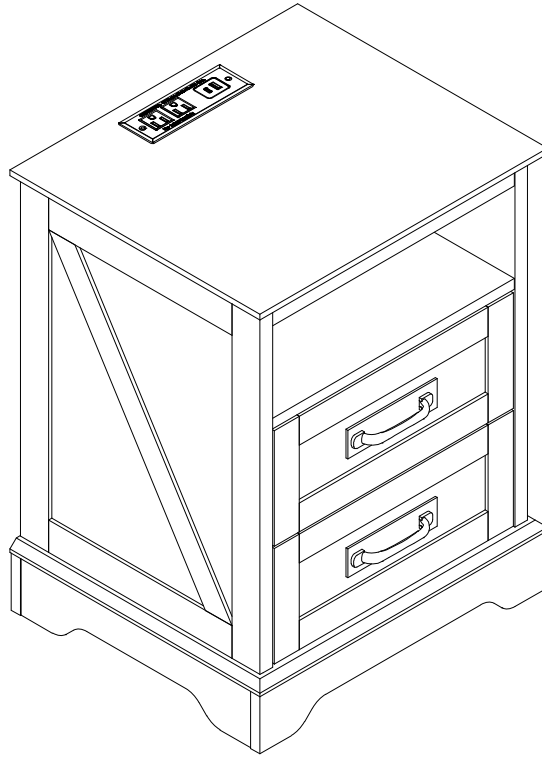
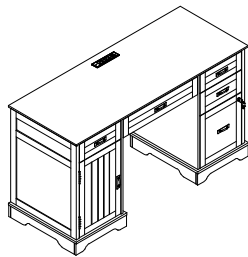
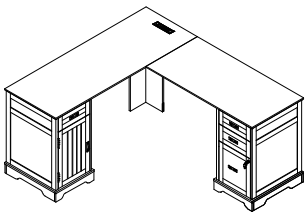


# ASSEMBLING INSTRUCTION



## Farmhouse Furniture Set



### Warm Tips:

If you experience any issues with damaged or missing parts, or notice a quality defect, we kindly ask you to share the part number along with photos of the issue. Once we have reviewed and confirmed the details, we will provide appropriate solutions, including arranging a replacement. We sincerely appreciate your understanding and patience! This instruction booklet contains important safety information. please read and keep for future reference.

# TIPS BEFORE YOU START

---

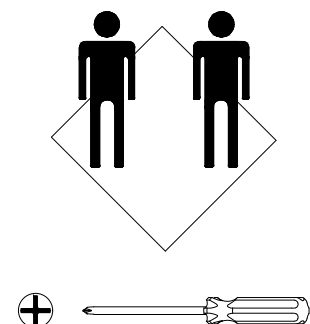
1. Before assembling your furniture, please check that all parts are present and laid out.
2. Before initiating each assembly step, please confirm required parts are identified.
3. Please ensure adequate space and assistance for safe assembly of large items.
4. We recommend assembling the product near its intended placement area to avoid relocation after assembly.
5. We recommend to place components on soft surfaces (e.g., carpet, blanket) during assembly to prevent damage of the item.
6. Please do not overtighten any fittings, as this may damage the product. We recommend hand-tightening rather than using power tools.
7. Please position fully assembled product on flat, stable surfaces with even support.
8. Please do not stand on or use this product as a step ladder.
9. Product is designed exclusively for indoor household use in non-industrial environments.
10. Please lift with proper body mechanics to prevent injury and product damage.

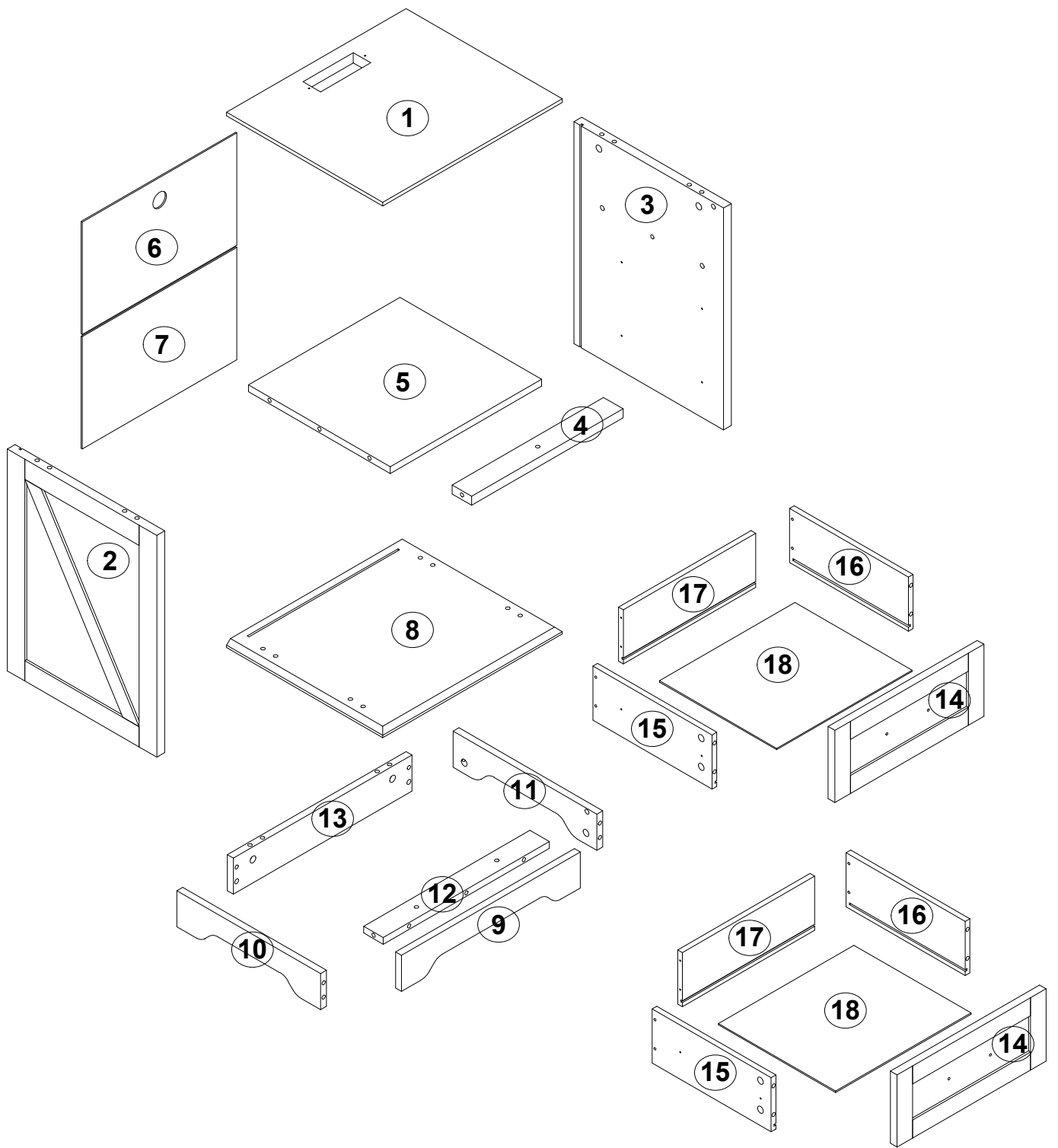
## CARE AND MAINTENANCE OF YOUR FURNITURE

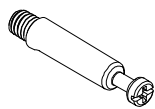
- Periodically inspect and retighten all fittings as needed to maintain structural integrity.
- Periodically inspect all screws and retighten if necessary to maintain product stability.
- For optimal glass cleaning, apply a dedicated glass cleaner using a microfiber cloth to prevent streaks.
- Avoid liquid contact to prevent structural warping and surface delamination; immediately wipe any spills.
- Avoid placing hot objects (e.g., hot beverages) directly onto surfaces to prevent thermal shock and permanent discoloration.
- Lift the unit with multiple personnel using proper technique; dragging or pushing risks structural failure and injury.

## ASSEMBLY REQUIREMENTS

- Equipment: phillips head screwdriver.
- 2 x adults required.
- 2m x 2m assembly space required.
- 1.5 hour assembly time approx.







A x28



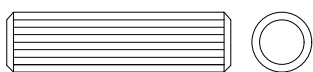
Ø15\*12mm

B x20



Ø15\*10mm

C x8



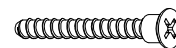
Ø8\*30mm

D x17



M3\*14mm

E x10



M7\*50

F x4



M3\*12mm

G x16



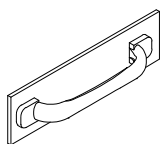
M4\*15mm

H x4

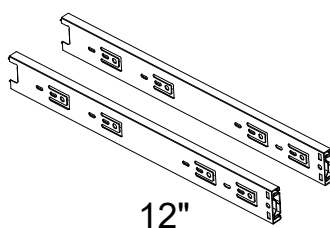


M3.5\*35mm

I x8



J x2



12"

K x2



M3\*14mm

L x2

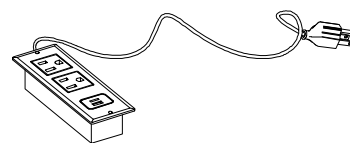


M4\*25mm

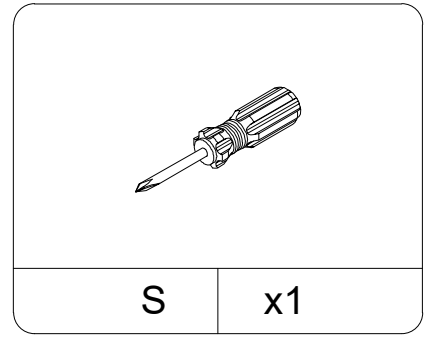
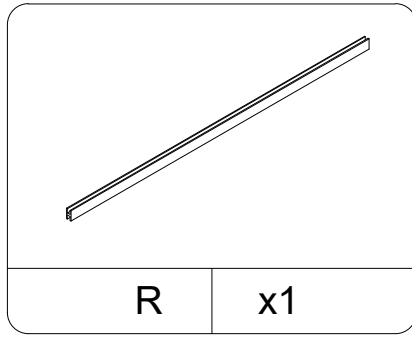
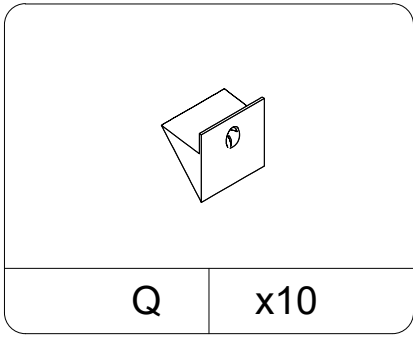
M x3



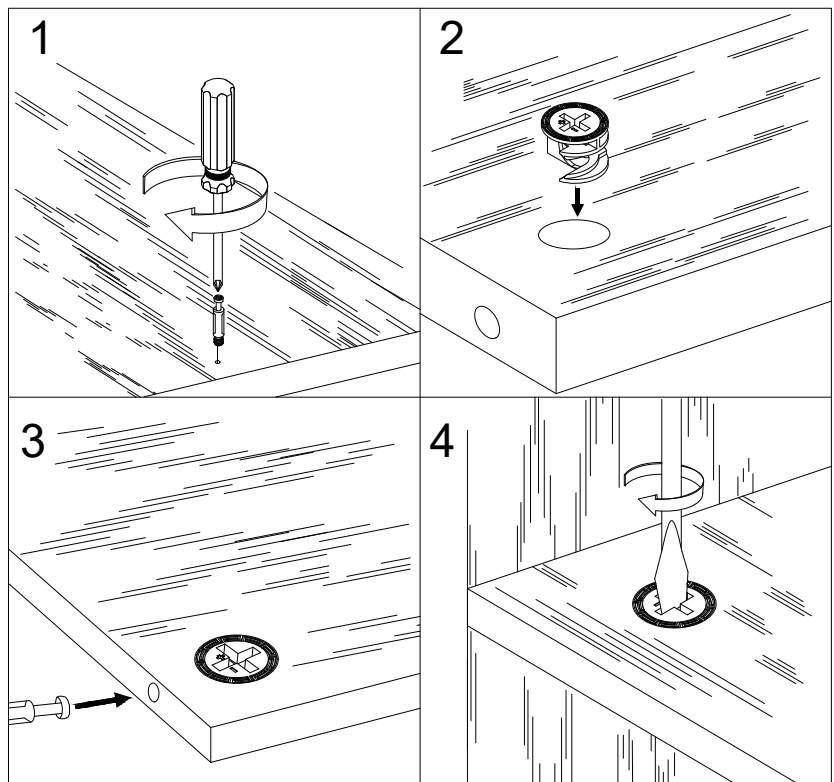
N x28

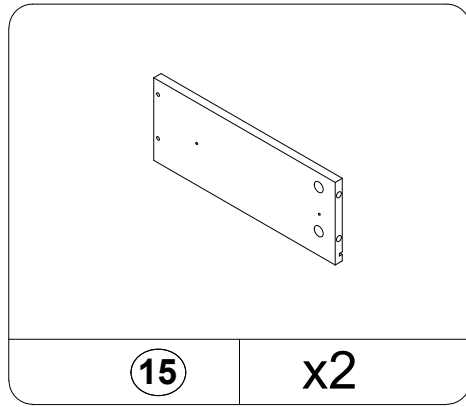
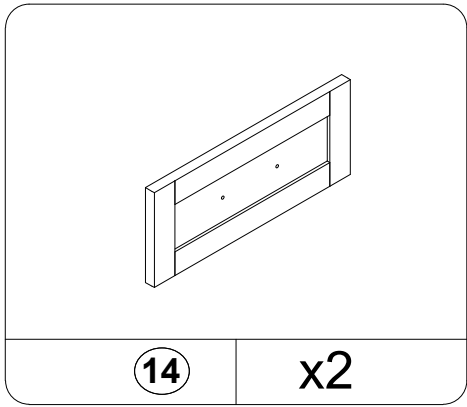
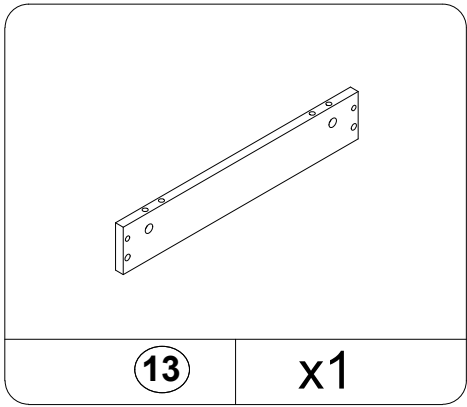
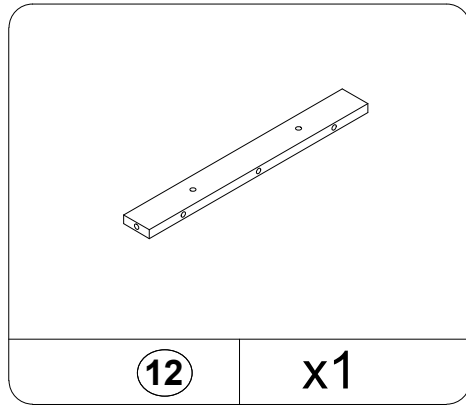
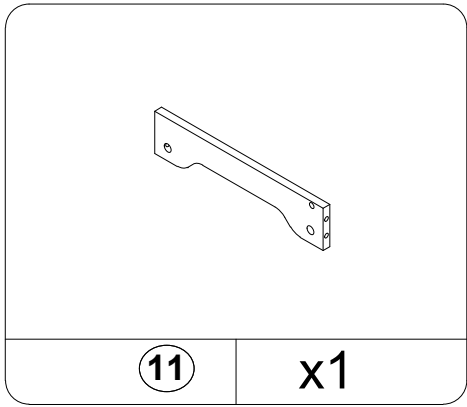
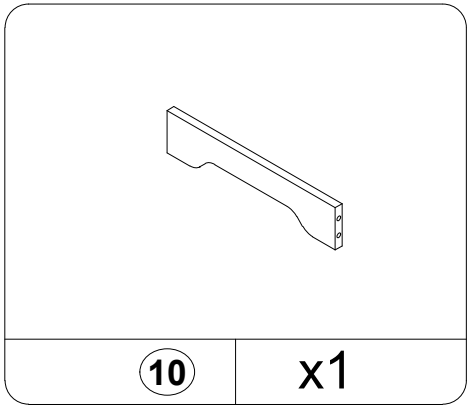
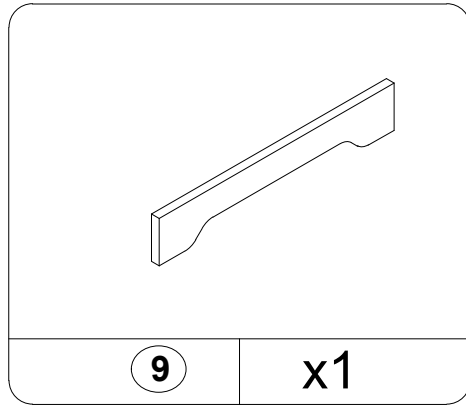
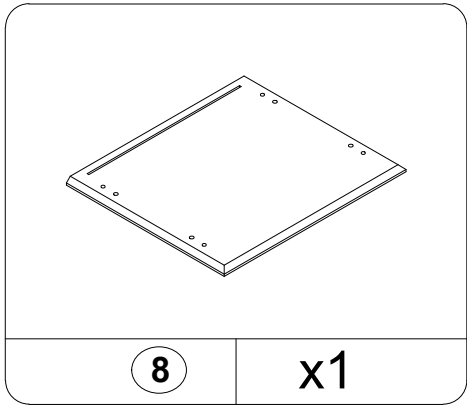
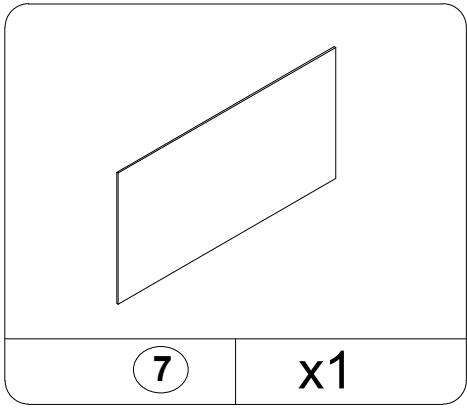
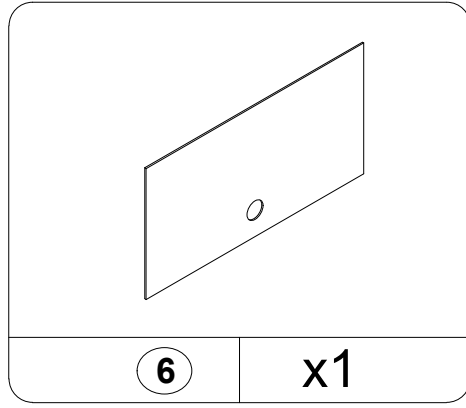
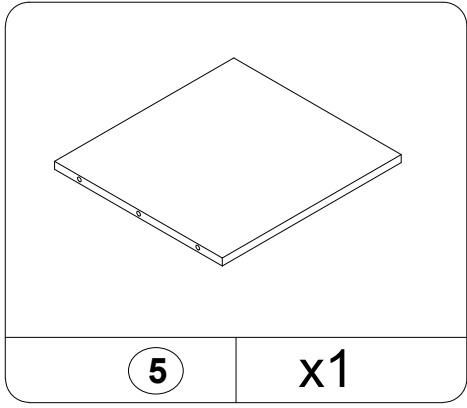
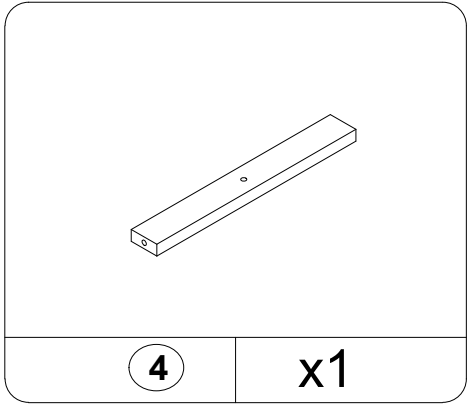
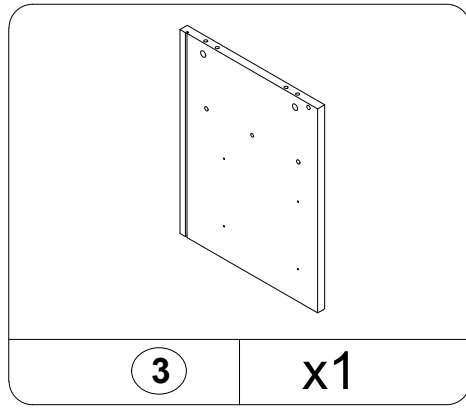
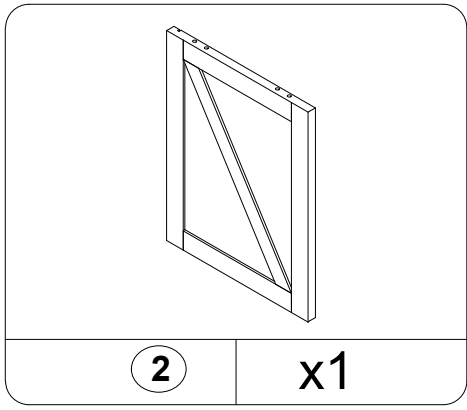
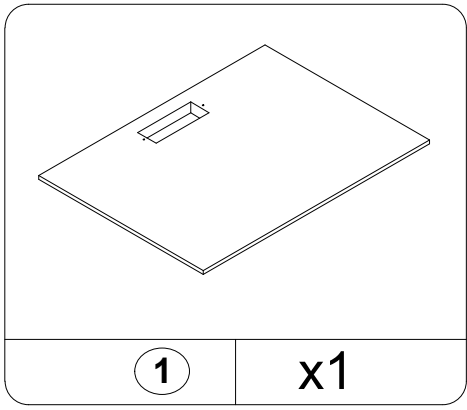


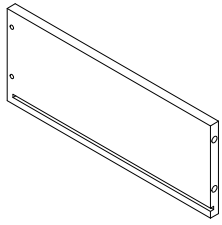
P x1



This illustration shows how the CAM fastening system works.

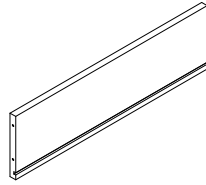






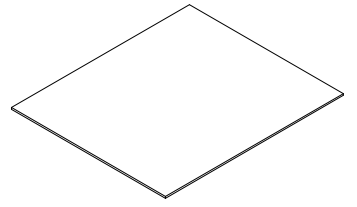
16

x2



17

x2



18

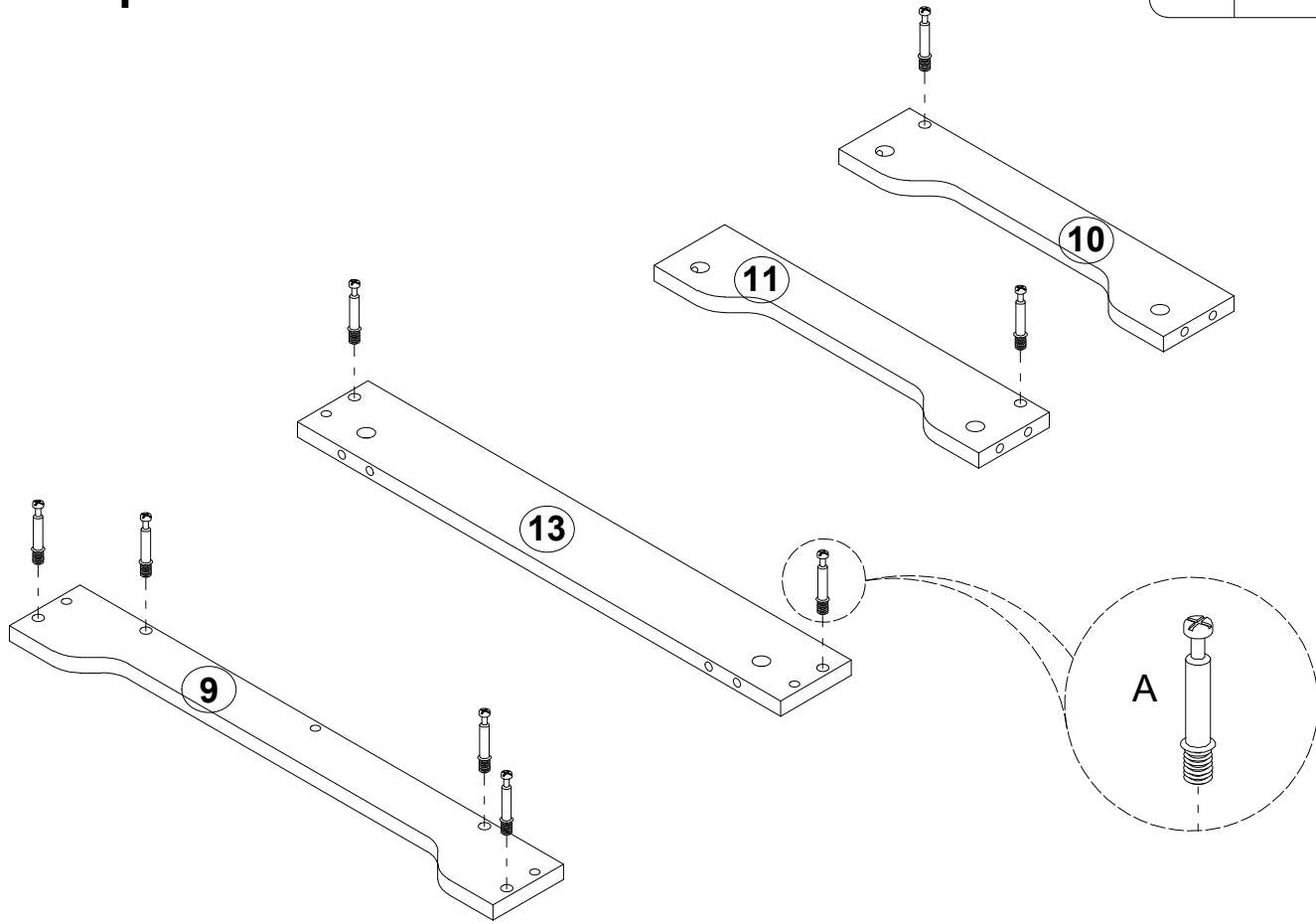
x2

# Step:1

A

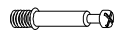


X8

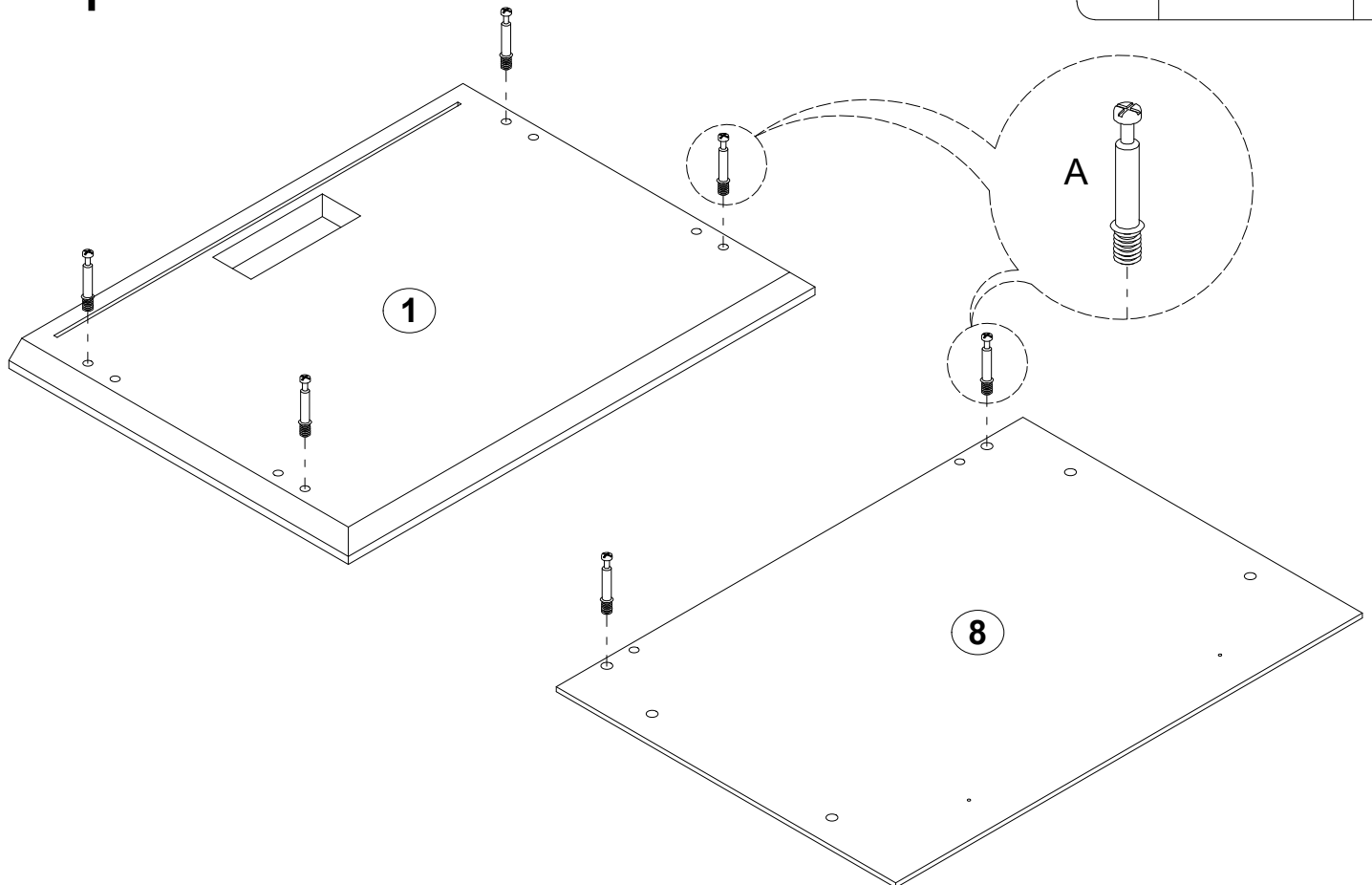


# Step:2



A

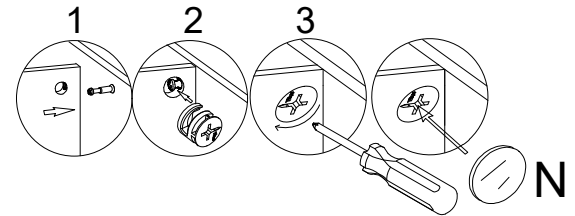
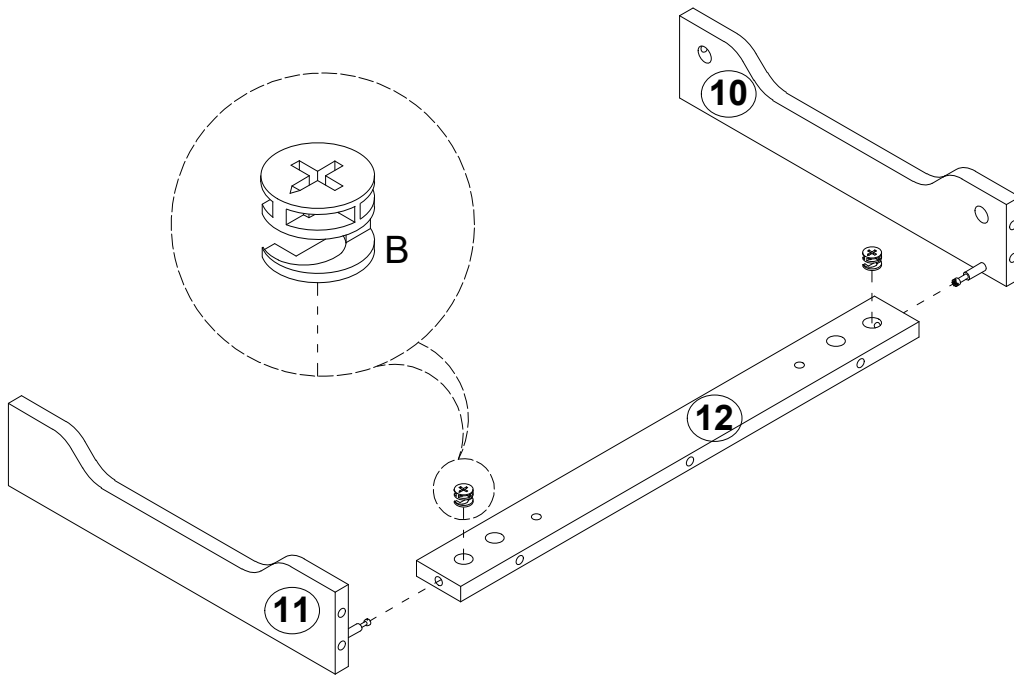


X6


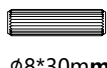



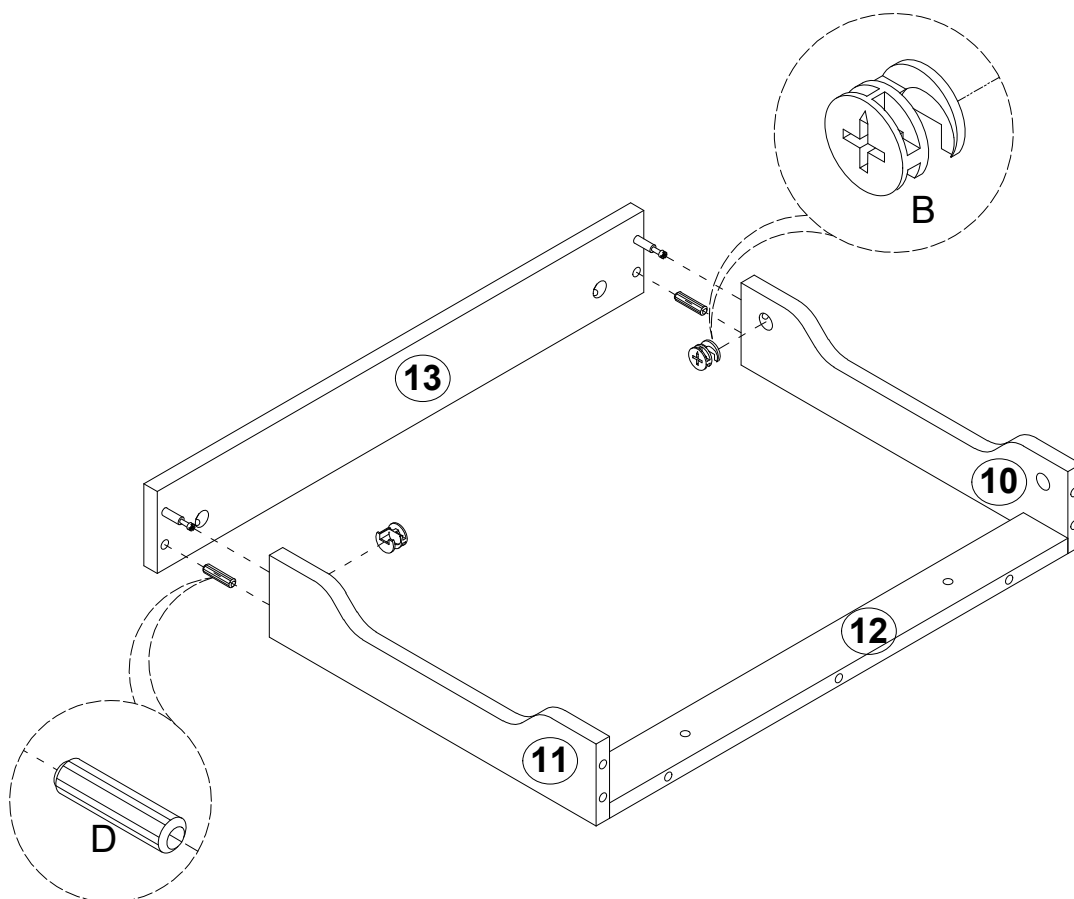
# Step:3

B	 Ø15*12mm	X2
N		X2

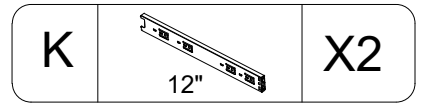


# Step:4

B	 Ø15*12mm	X2
D	 Ø8*30mm	X2
N		X2

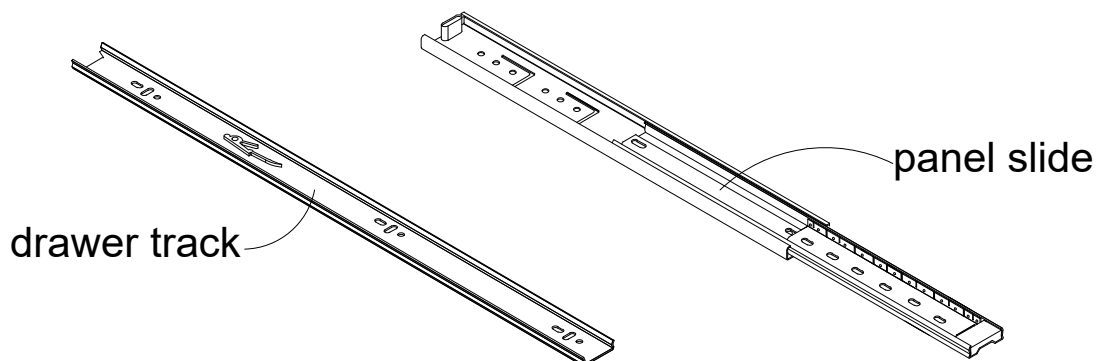
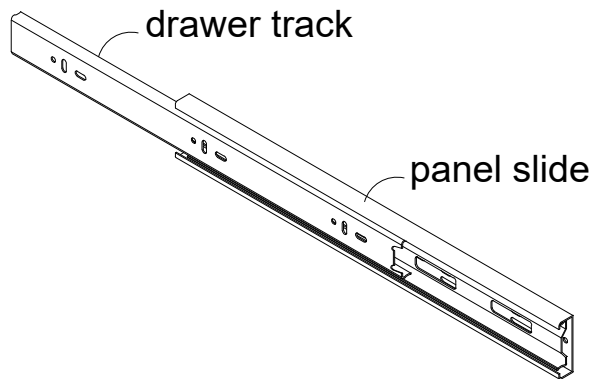
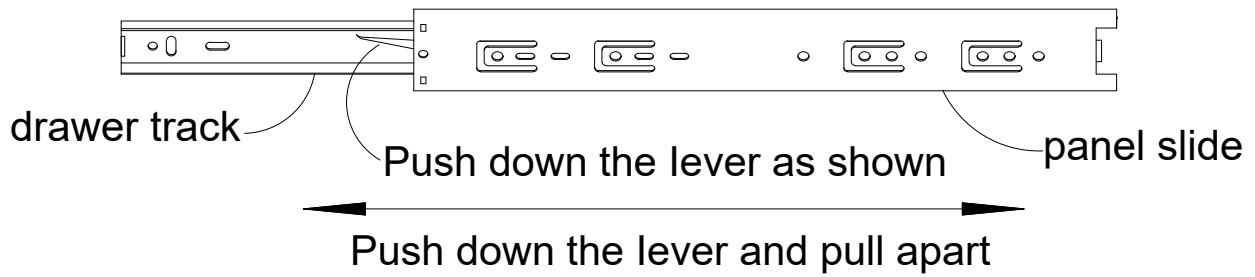


# Step:5

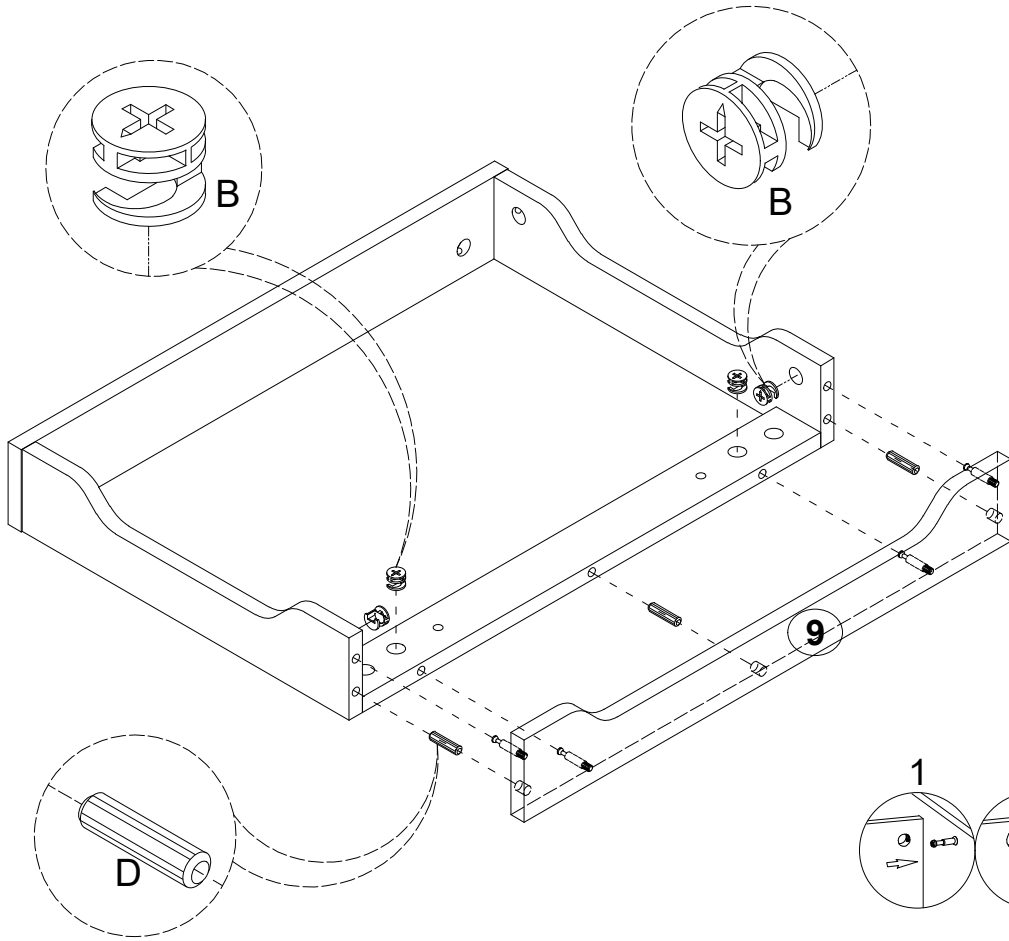





## To separate slide rail,

- 1) Pull the slide fully open so levers are visible.
- 2) Push DOWN the lever as shown.
- 3) Holding levers in place, pull two sections until separation.

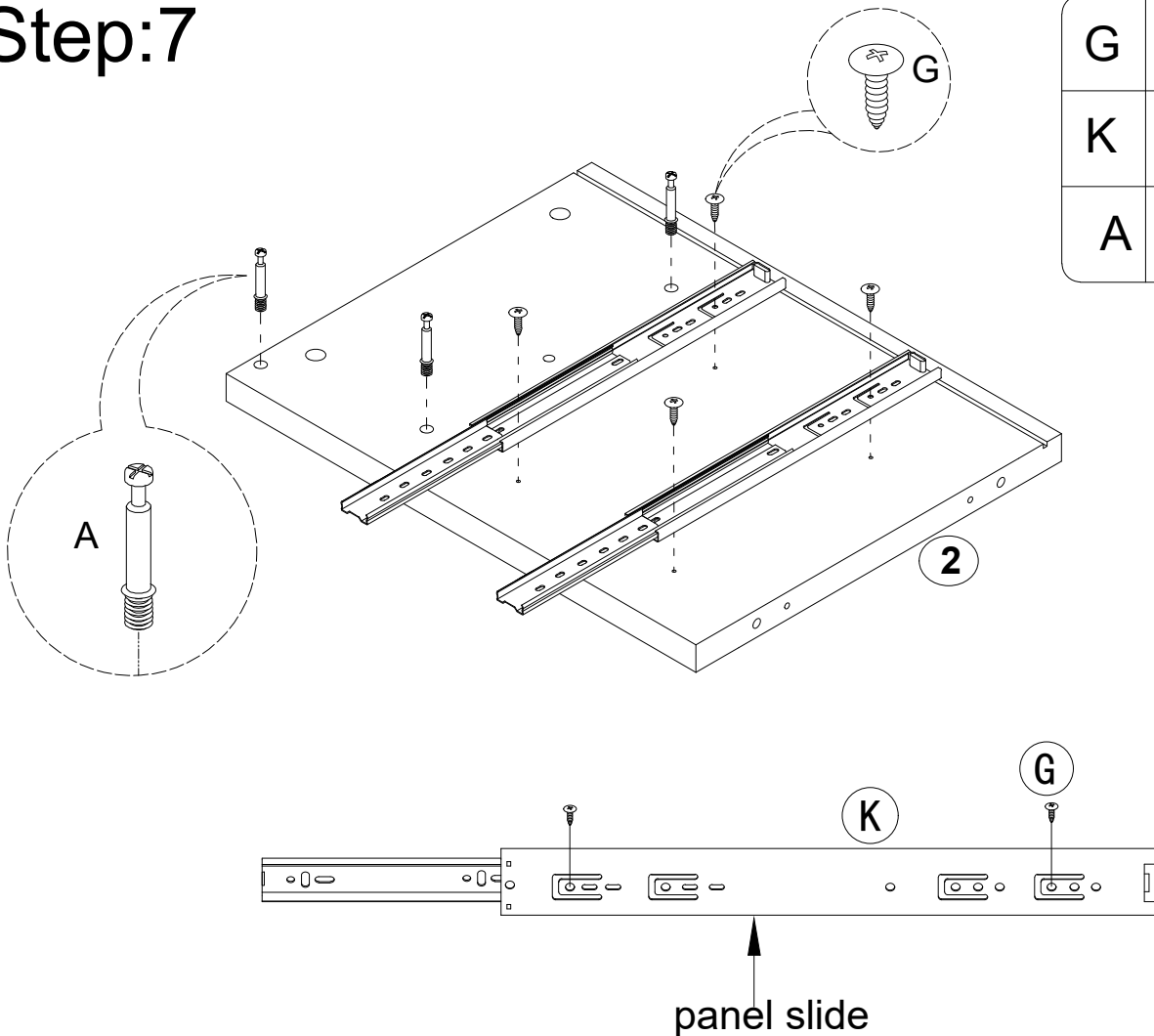


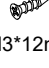
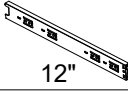
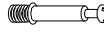
# Step:6




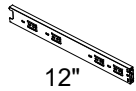
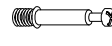
B	 ø15*12mm	X4
D	 ø8*30mm	X3
N		X4

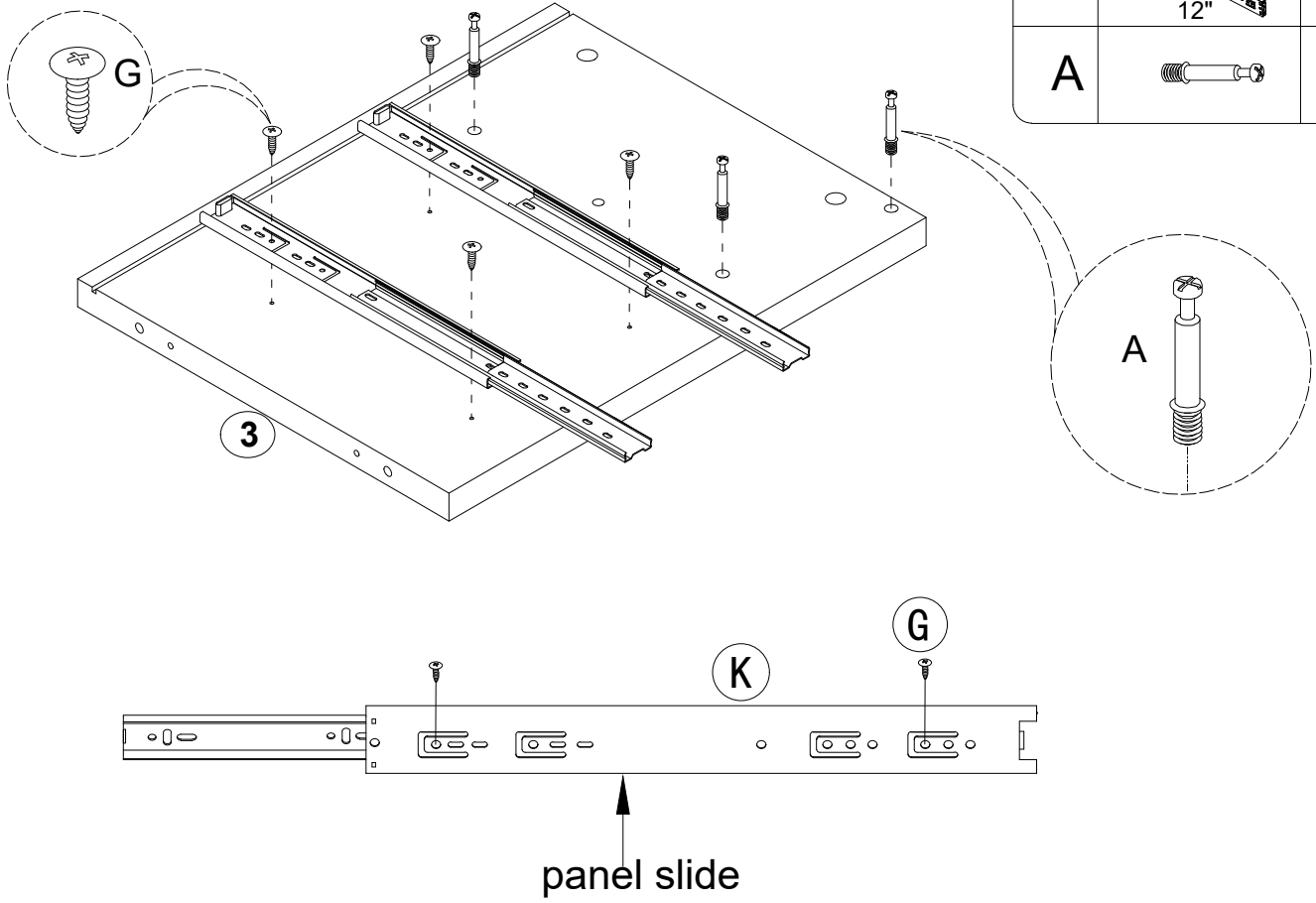
# Step:7






G	 M3*12mm	X4
K	 12"	X2
A		X3

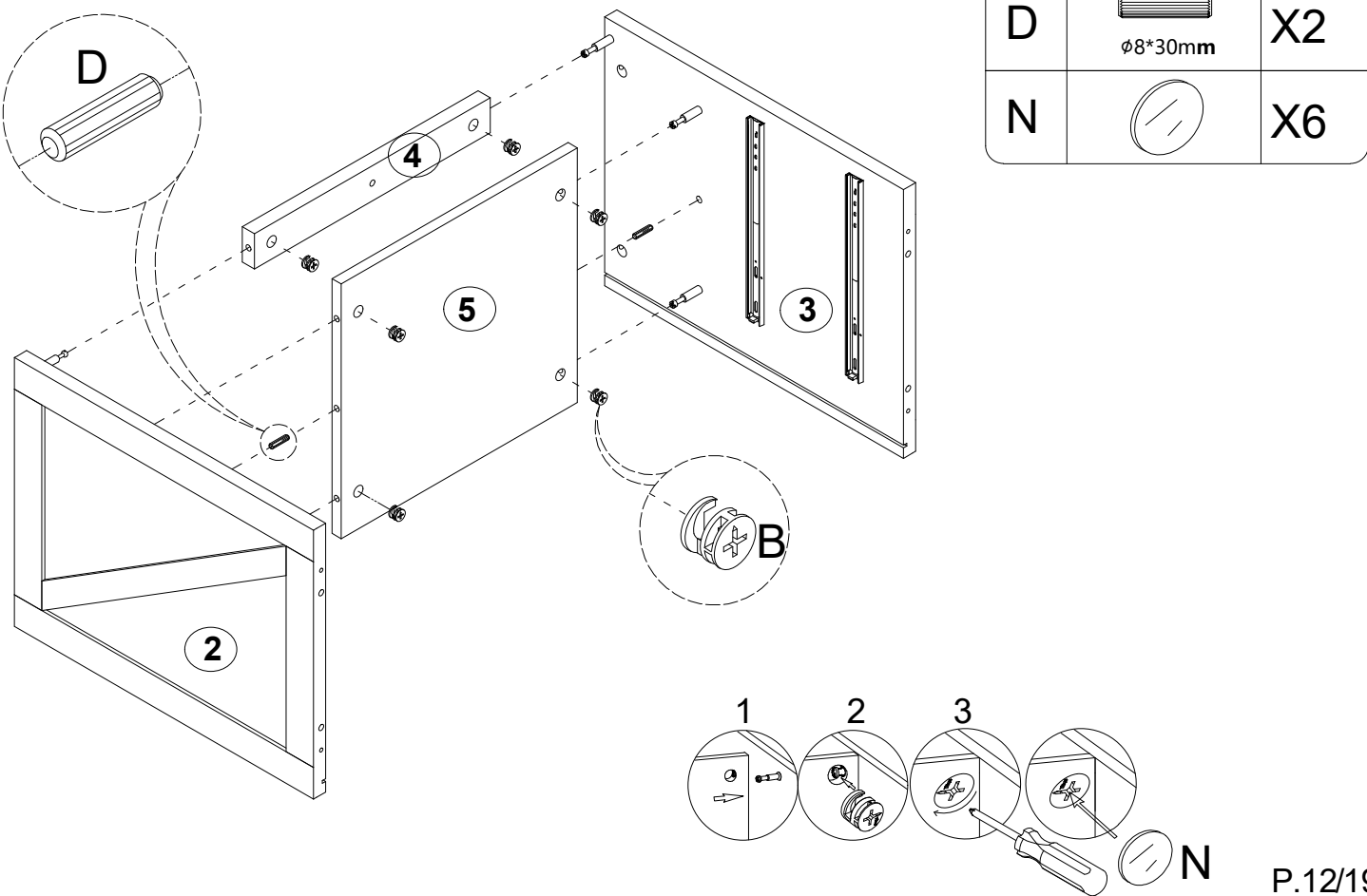
# Step:8

G	 M3*12mm	X4
K	 12"	X2
A		X3

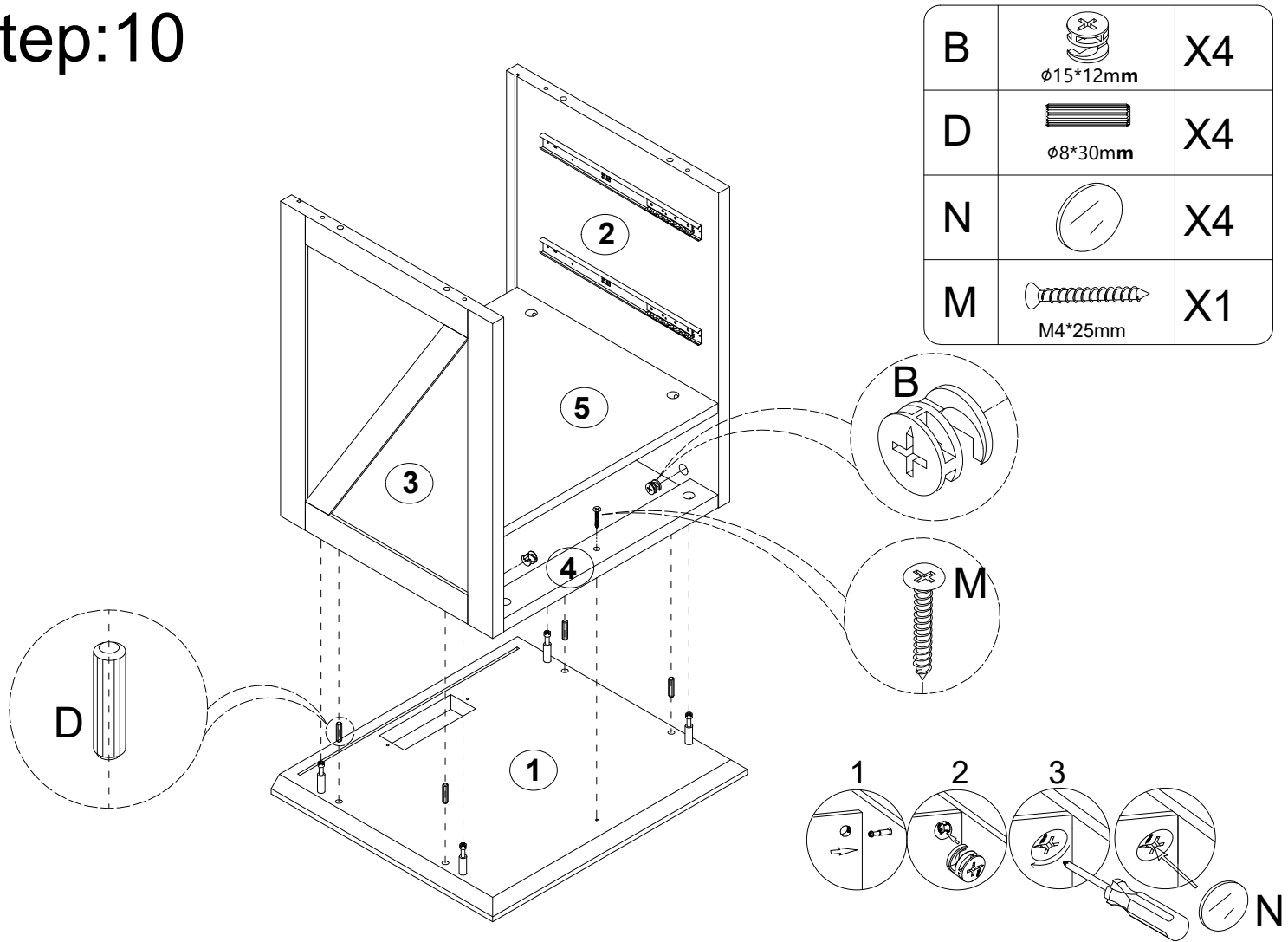


# Step:9

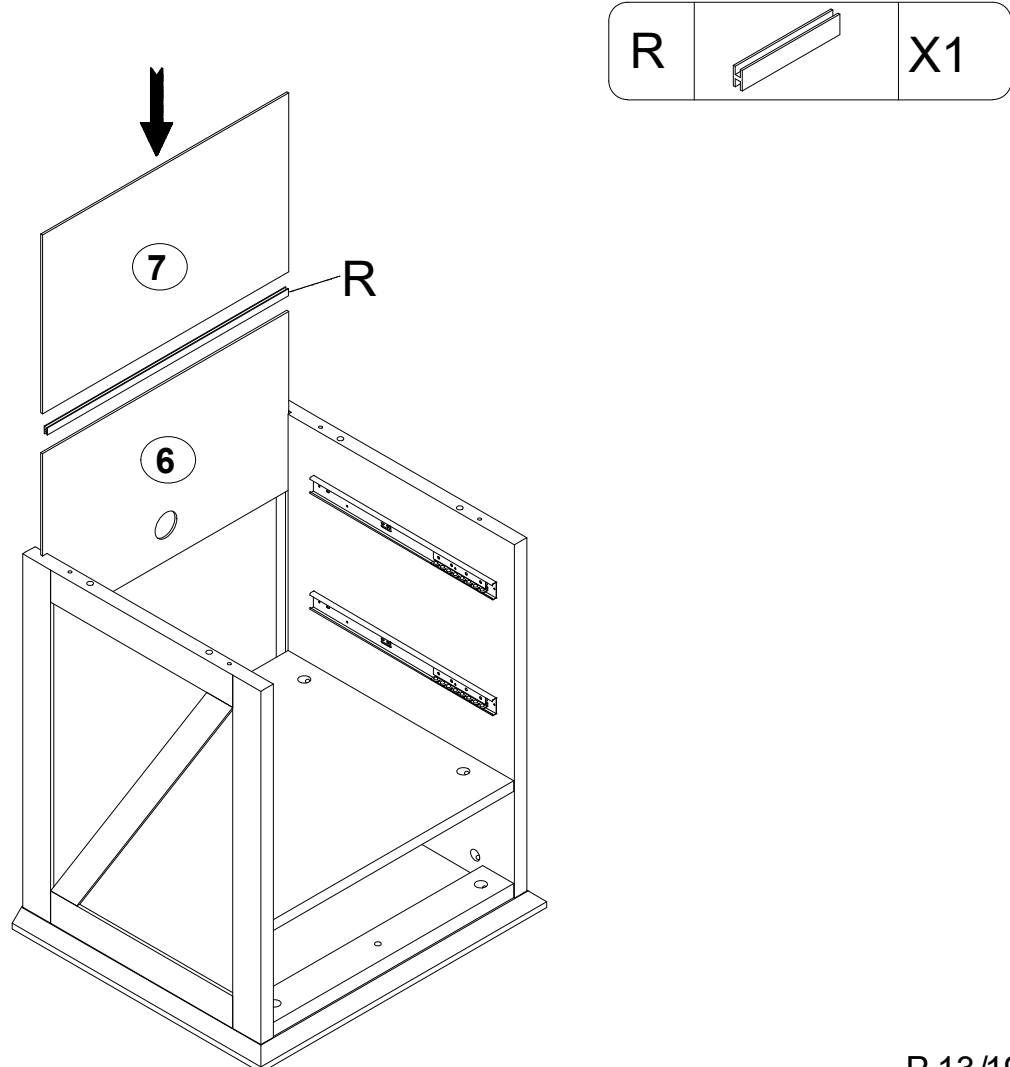
B	 ø15*12mm	X6
D	 ø8*30mm	X2
N		X6



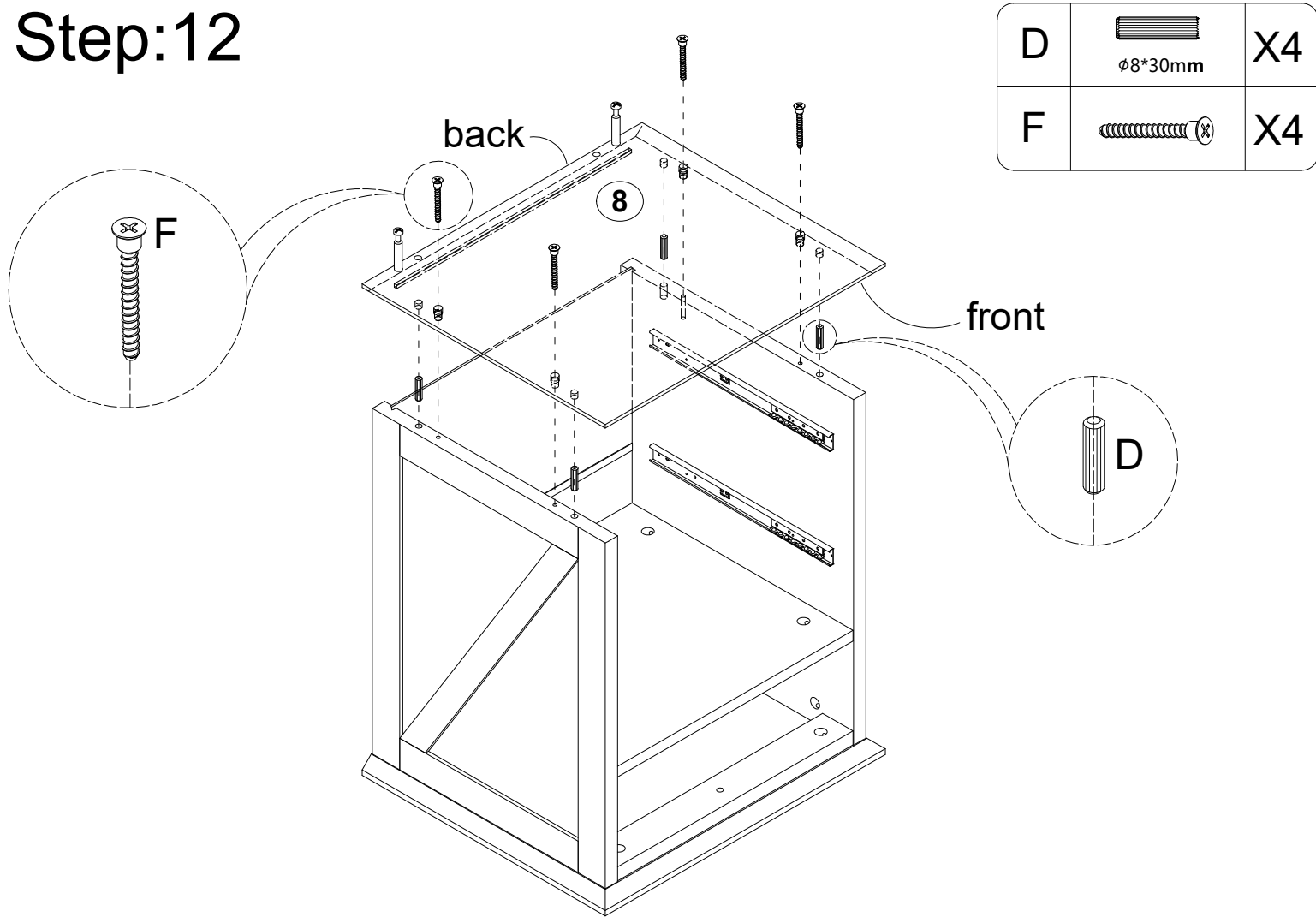
# Step:10





# Step:11

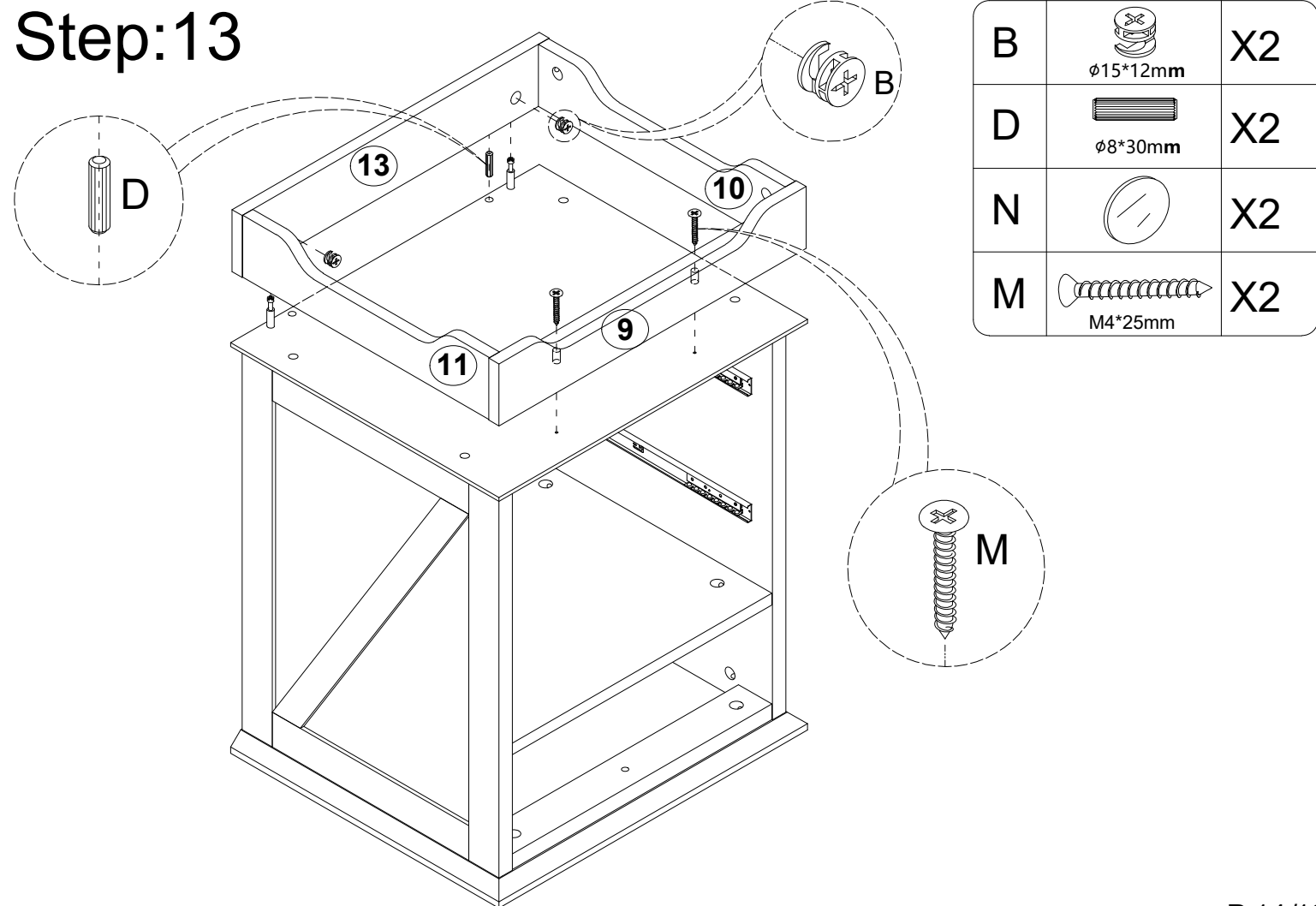





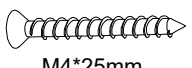
# Step:12



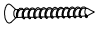
D	 ø8*30mm	X4
F		X4

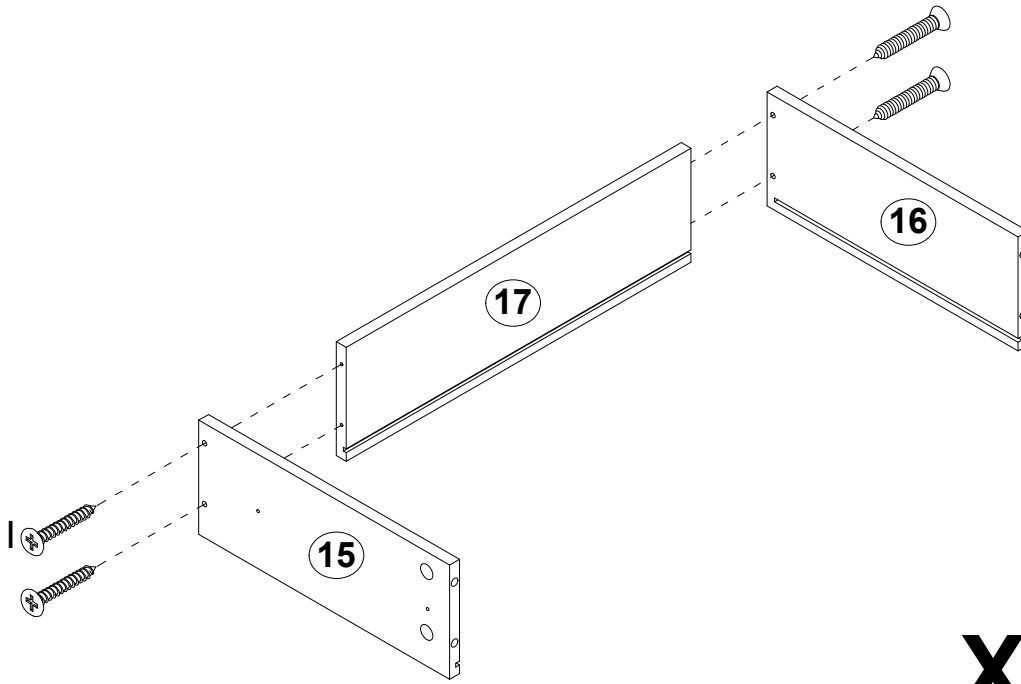
# Step:13



B	 ø15*12mm	X2
D	 ø8*30mm	X2
N		X2
M	 M4*25mm	X2

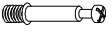
# Step:14

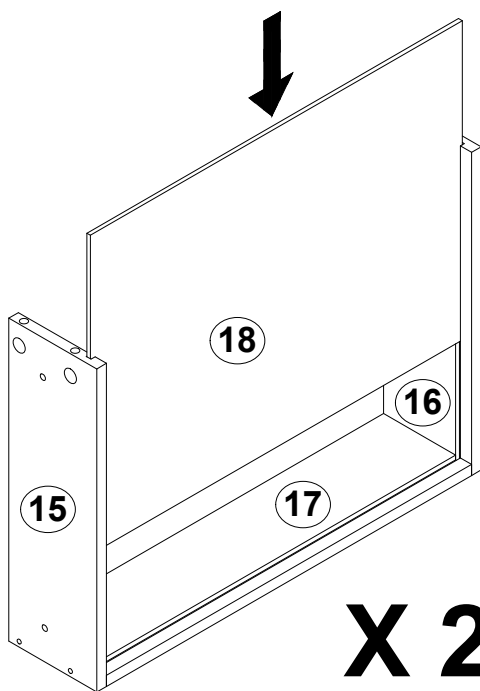
I	 M3.5*35mm	X8
---	--	----



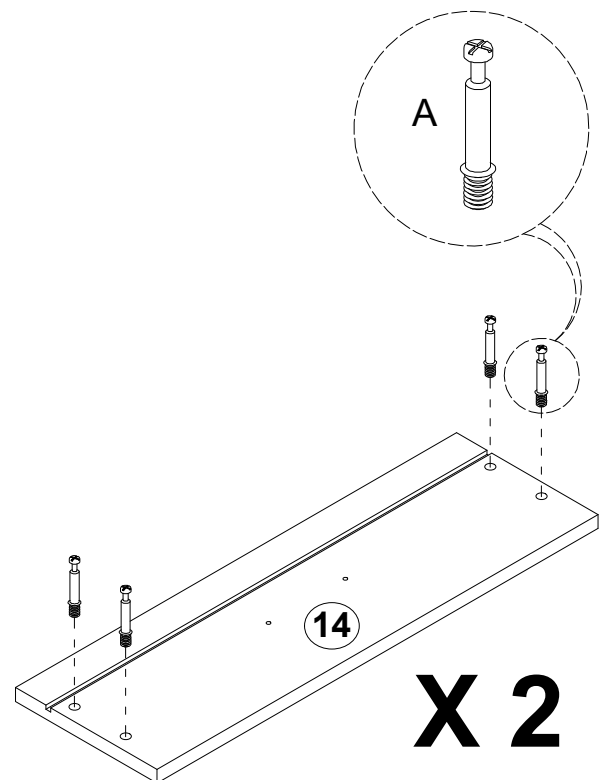
**X 2**

# Step:15

A		X8
---	---	----





**X 2**



**X 2**

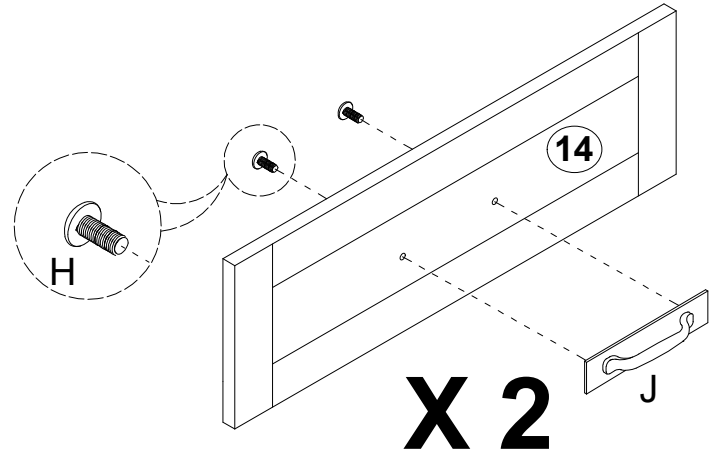
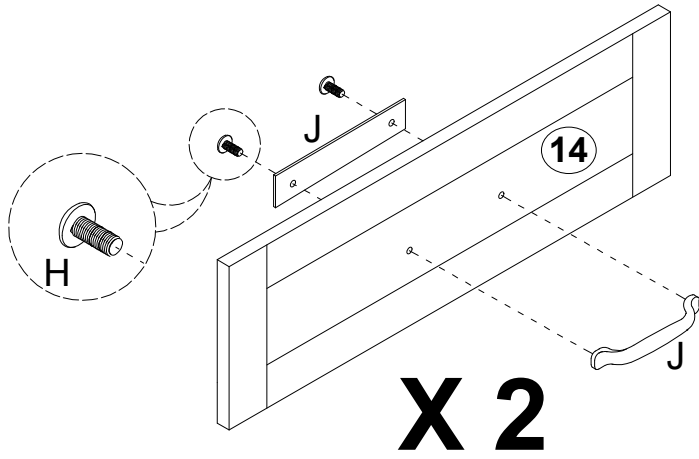
# Step:16

J		X2
---	--	----

H		M4*15mm	X4
---	--	---------	----

Handle installation method 1

Handle installation method 2

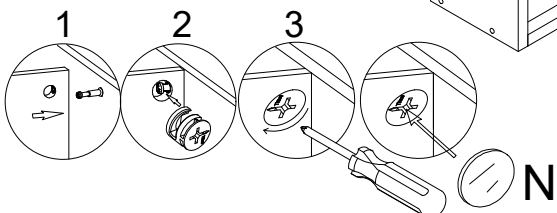
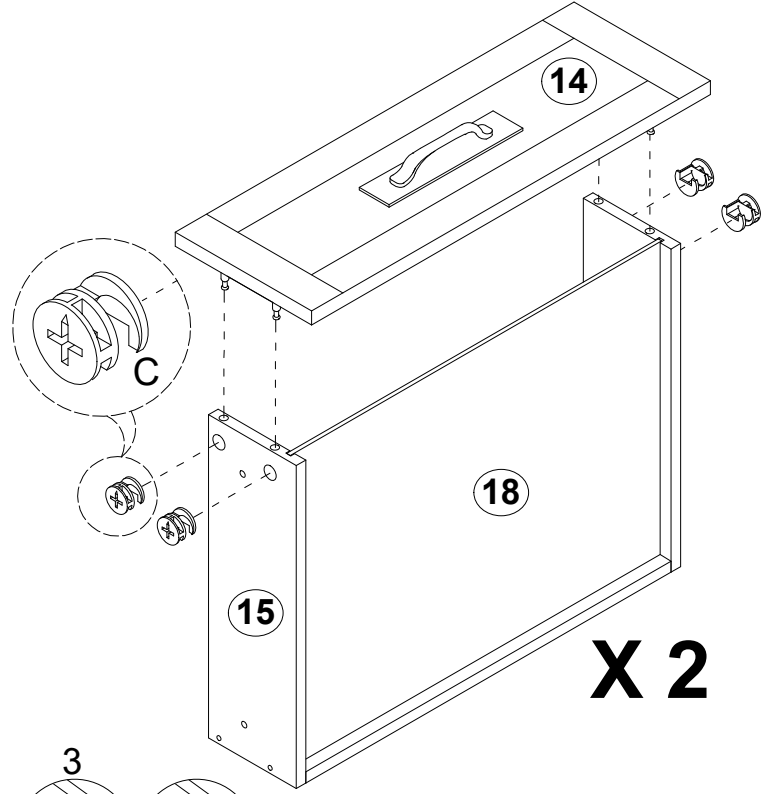
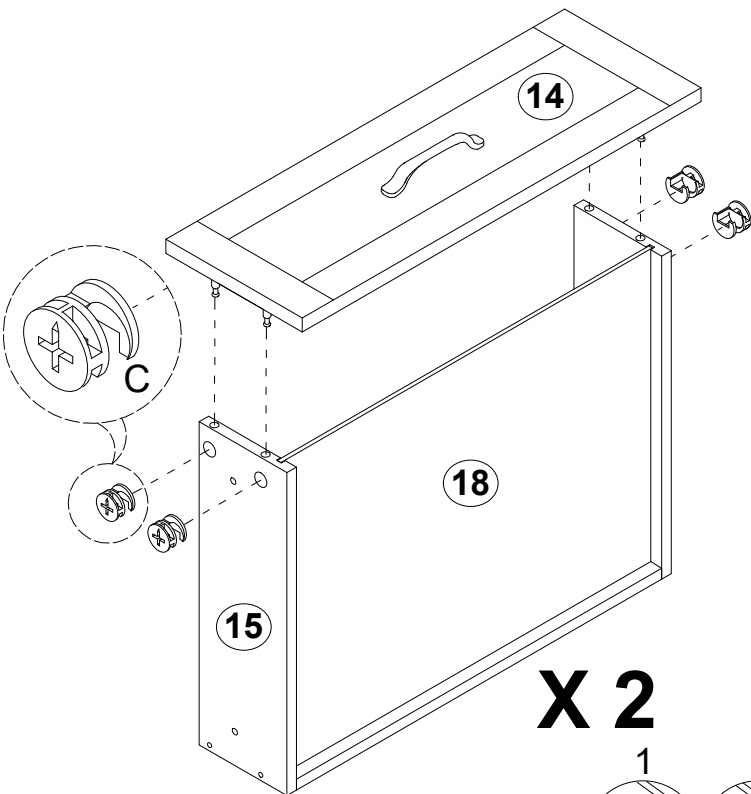


# Step:17


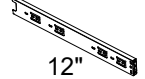
C		φ15*10mm	X8
---	---	----------	----

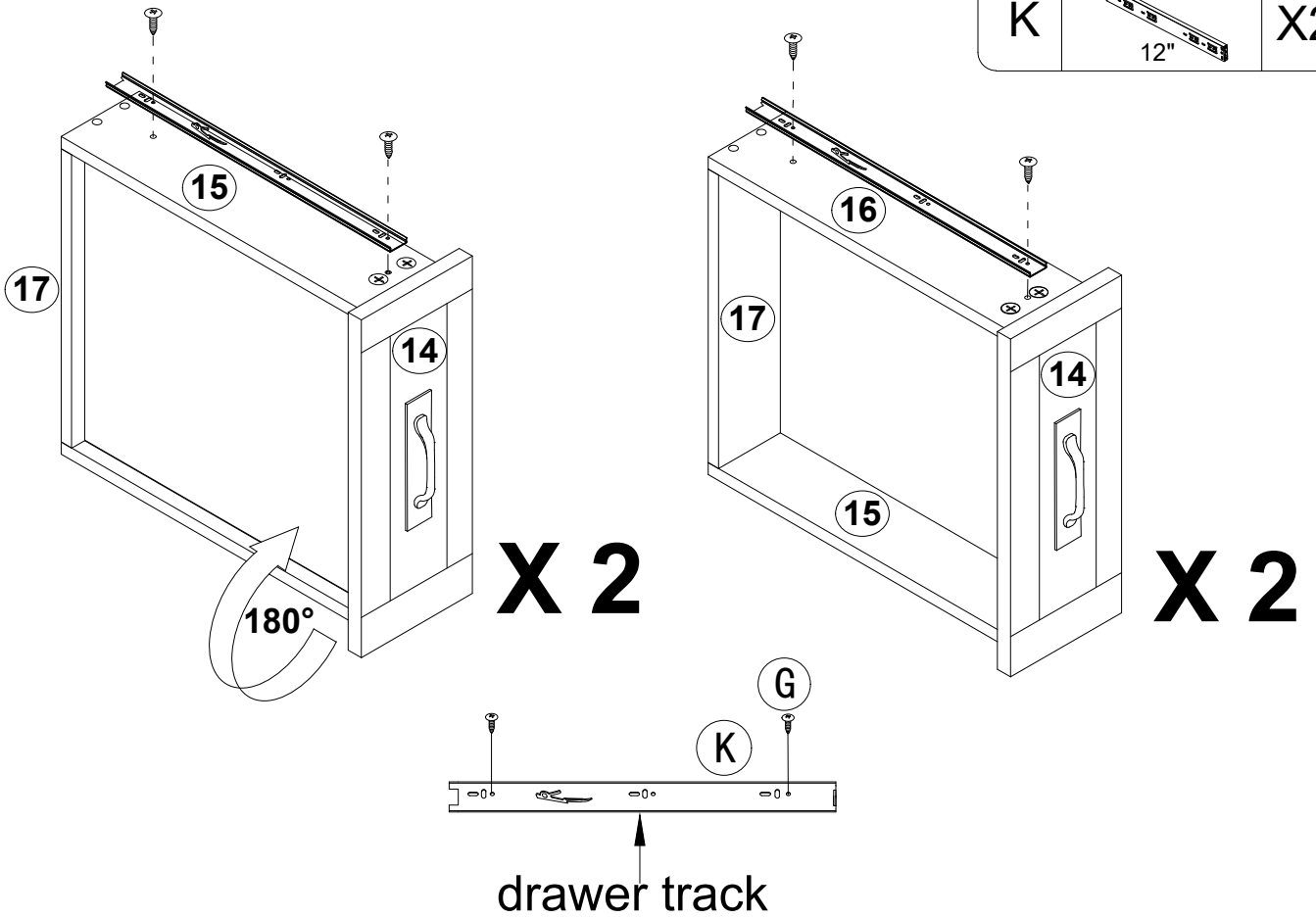
Handle installation method 1

Handle installation method 2

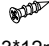



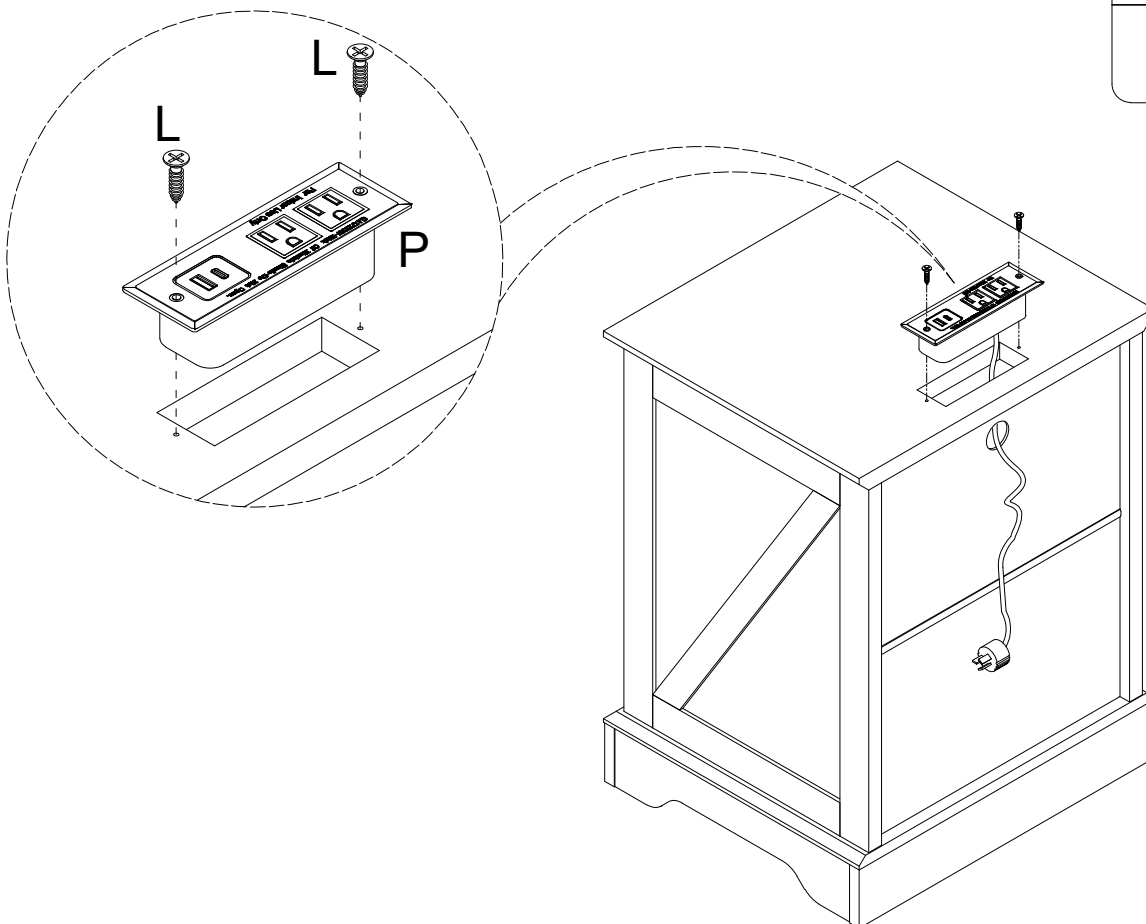
# Step:18

G	 M3*12mm	X8
K	 12"	X2

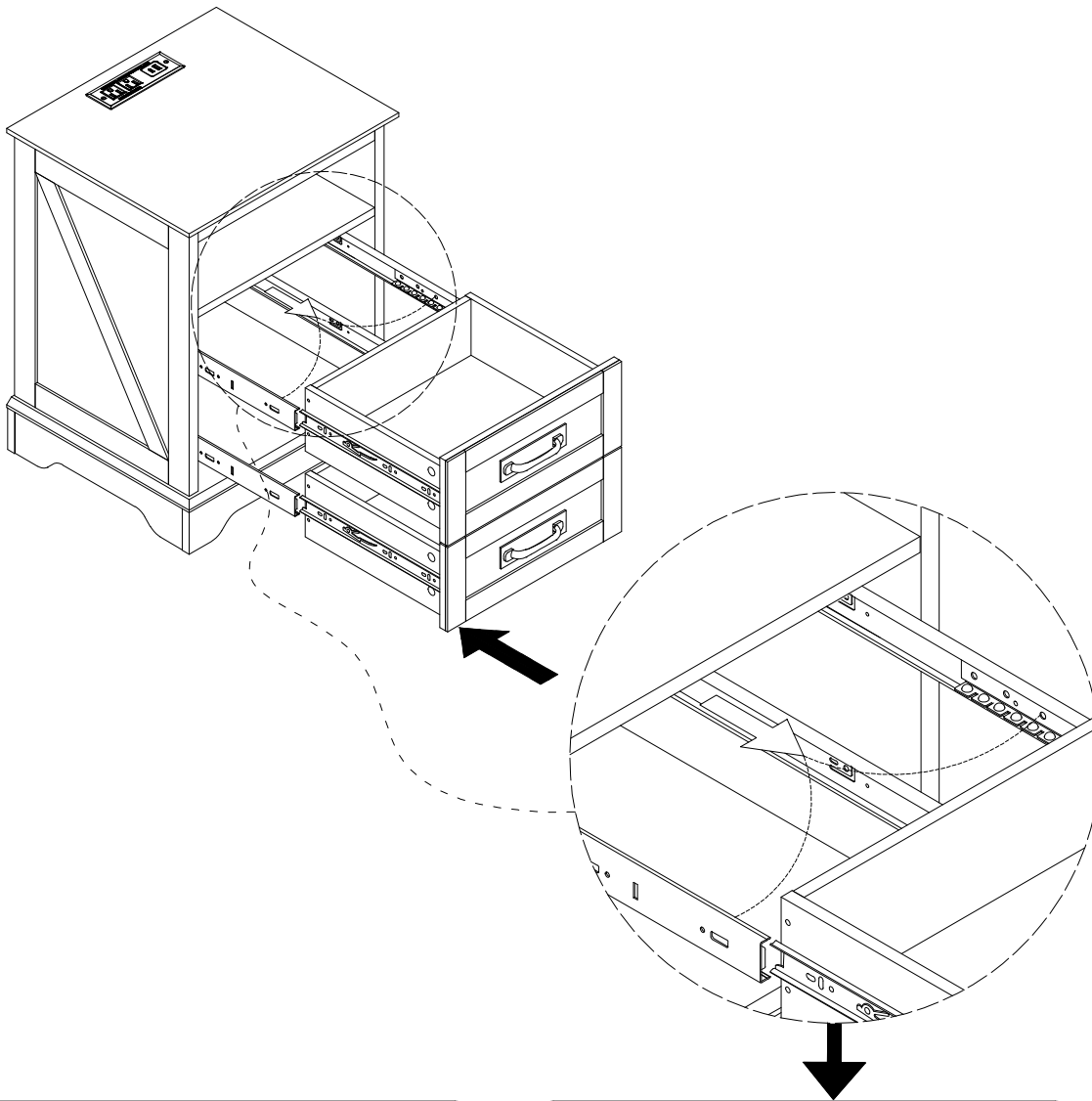


# Step:19

L	 M3*12mm	X2
P		X1



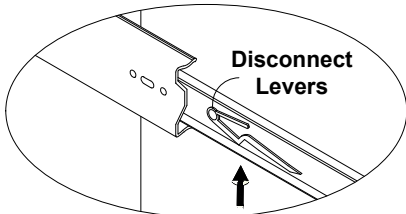
# Step:20



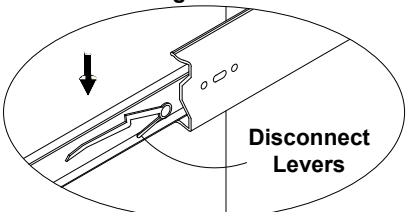
## How to Remove drawer if Needed:

- 1) Fully extend the drawer until the levers become visible.
- 2) Simultaneously press **UPWARD** on the left-side lever and **DOWNWARD** on the right-side lever to disengage the locking mechanism.
- 3) Holding the levers in place, extend the drawer.

Left Side



Right Side



## To Insert Drawer Into Cabinet

- 1) Slide the ball bearing retainer fully forward along the guide rail, as shown.
- 2) With two-person coordination, stabilize the cabinet slide while aligning and inserting the drawer slide through the ball bearing retainer channel as shown.
- 3) Apply controlled forward pressure to insert the drawer, you may encounter slight resistance until both slides fully engage, after which the drawer should glide smoothly.

NOTE: Avoid using excessive force during drawer insertion; improper alignment may damage slide mechanisms.



## ⚠ WARNING



Unit can tip over causing severe injury or death.

- DO NOT allow children to climb on unit.
- Put heavy items on lower shelves or drawers.
- Open one drawer at a time.
- Read and follow all assembly instructions.

# Step:21

E	 M3*14mm	X10
Q		X10

