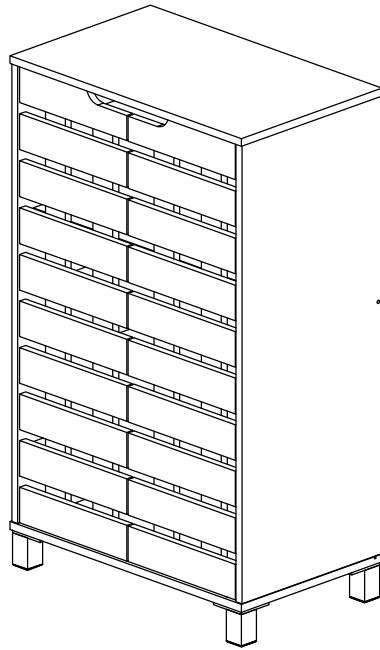
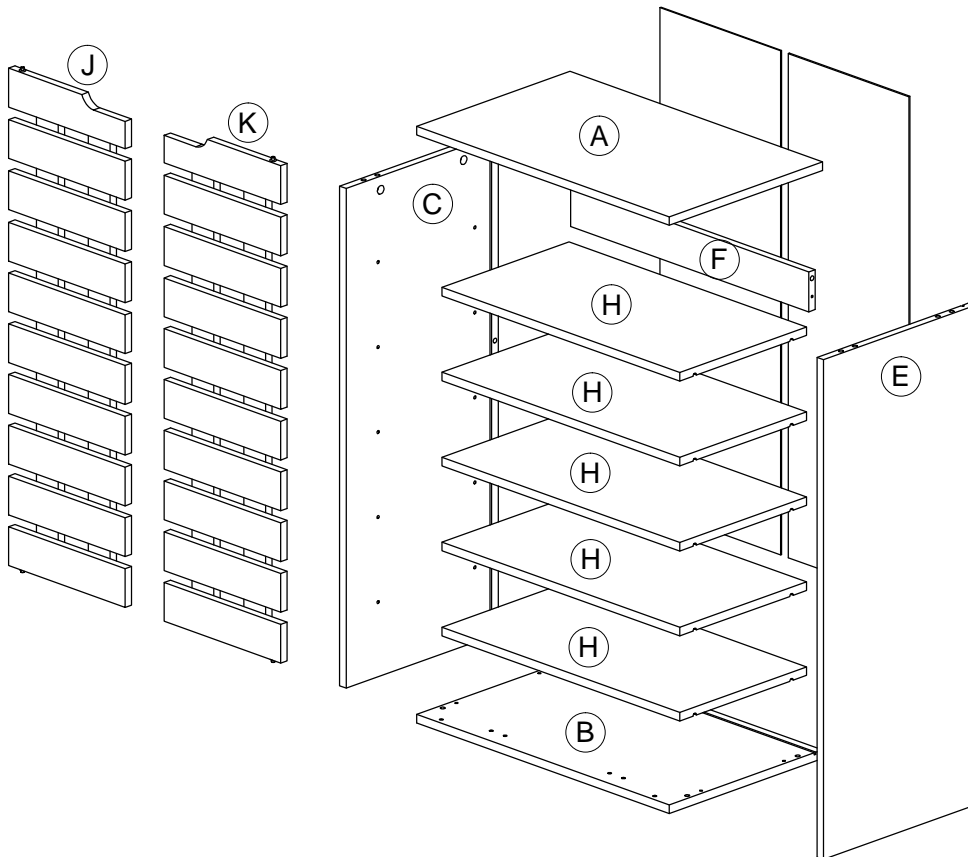


# Assembly Instruction

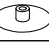


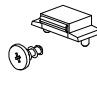


## Part List




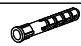
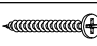


# Assembly Instruction

## Hardware List

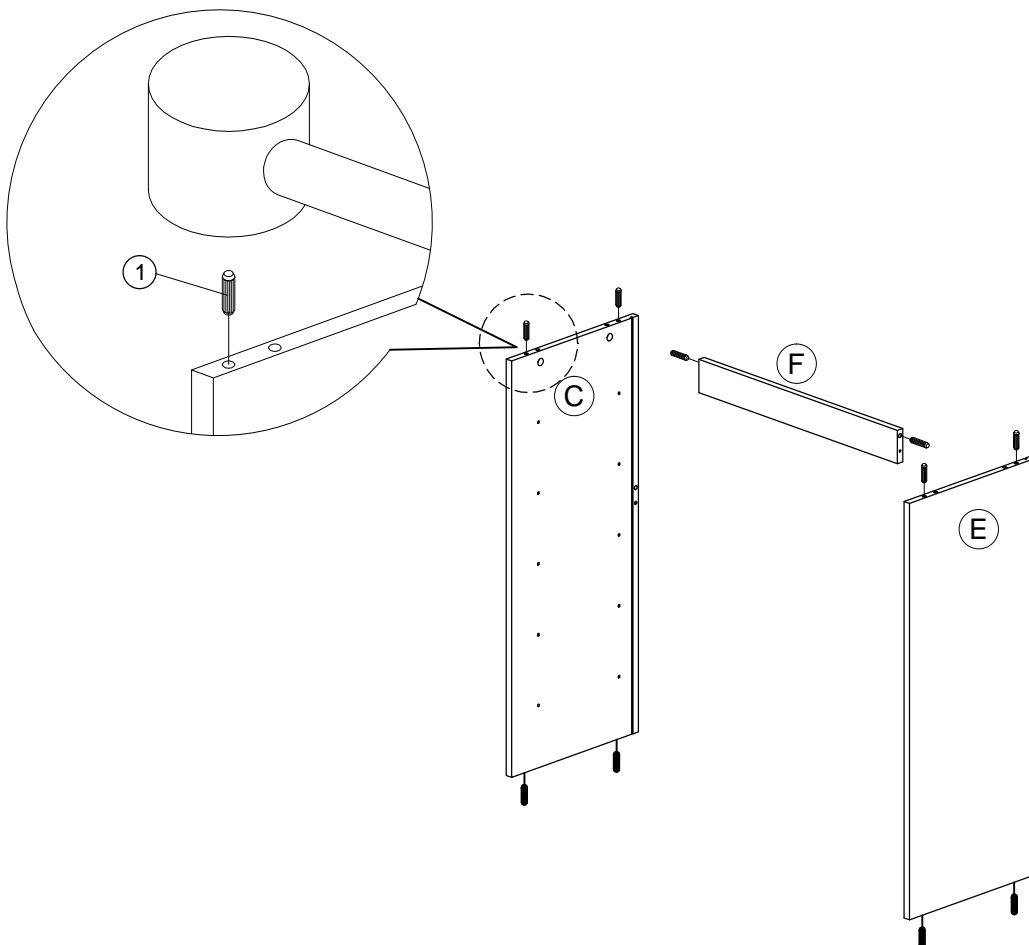
No.	SHAPE	DESCRIPTION	Qty.
1		<b>8x25mm Wood Dowel</b>	10Pcs
2		<b>15MM Myfix Minifix</b>	4Sets
3		<b>M3x16mm Screw</b>	8Pcs
4		<b>M5x38mm Screw</b>	6Pcs
5		<b>M3.5x15mm Screw</b>	12Pcs
6		<b>Shelf Support</b>	20Pcs
7		<b>15mm Minifix Cap</b>	4Pcs
8		<b>Screw Cap</b>	2Pcs
9		<b>Door Support Metal</b>	4Pcs

10		<b>Brown Magnet 2 Pin</b> Flat Head Tapping Screw M6x10mm ZB	4Sets
11		<b>Z Bracket (Big)</b>	4Pcs
12		<b>PVC Sofa leg (H70mm)</b>	4Pcs

## Packing Tipping Restraint

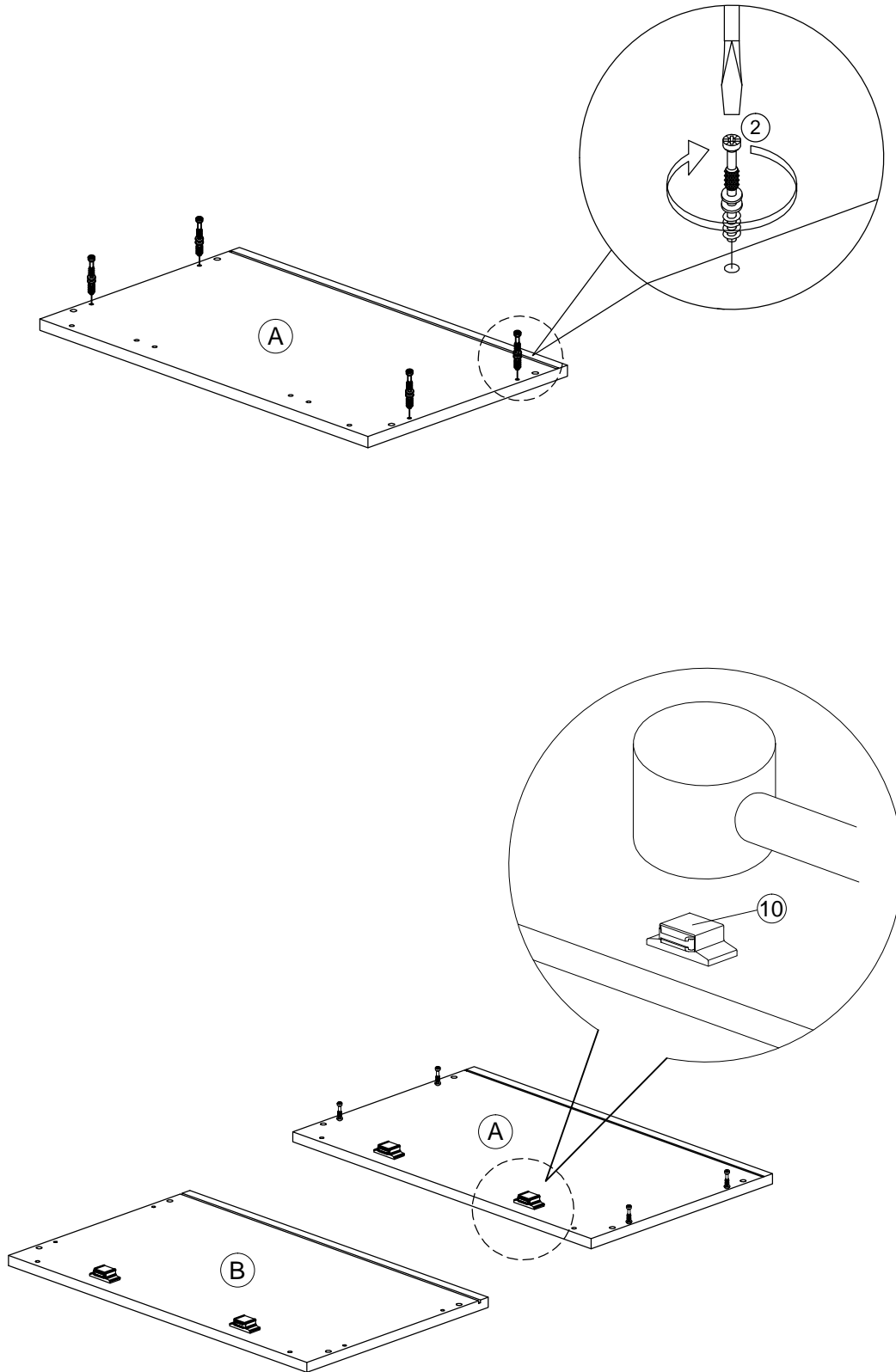
13		<b>M3.5x15mm Screw</b>	2Pcs
14		<b>Wall Plug</b>	2Pcs
15		<b>M4x30mm Screw</b>	2Pcs
16		<b>Safety Strap</b>	2Pcs
17		<b>Flat Washer 6x19x2mm</b>	4Pcs

## STEP 1



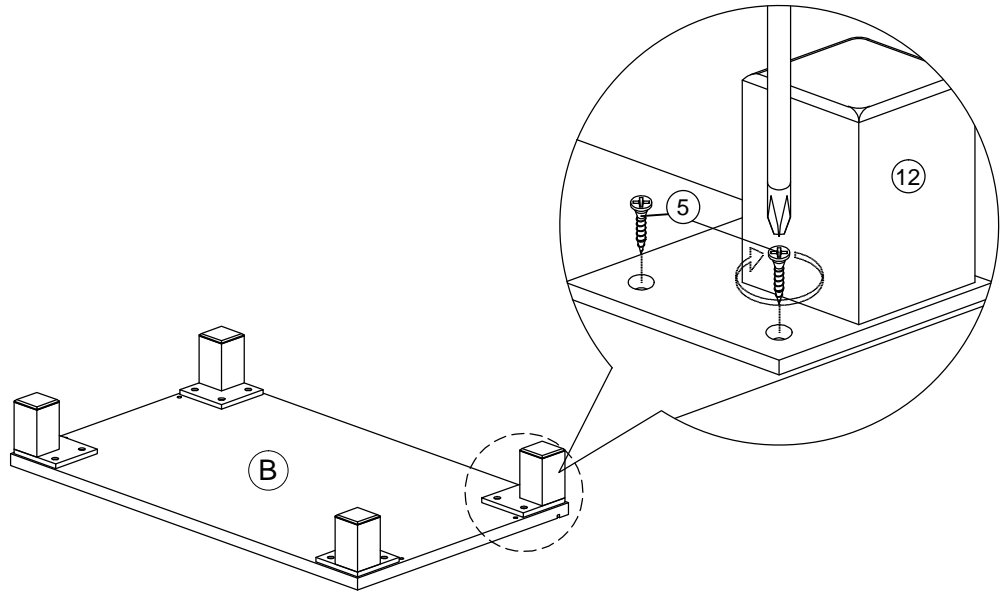
# Assembly Instruction

## STEP 2

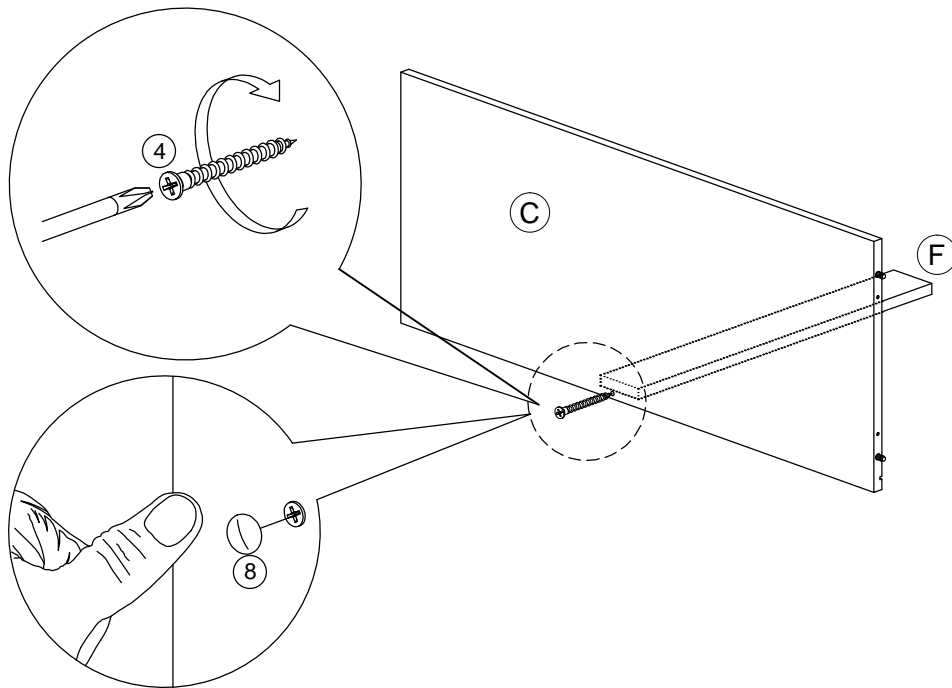


# Assembly Instruction

## STEP 3

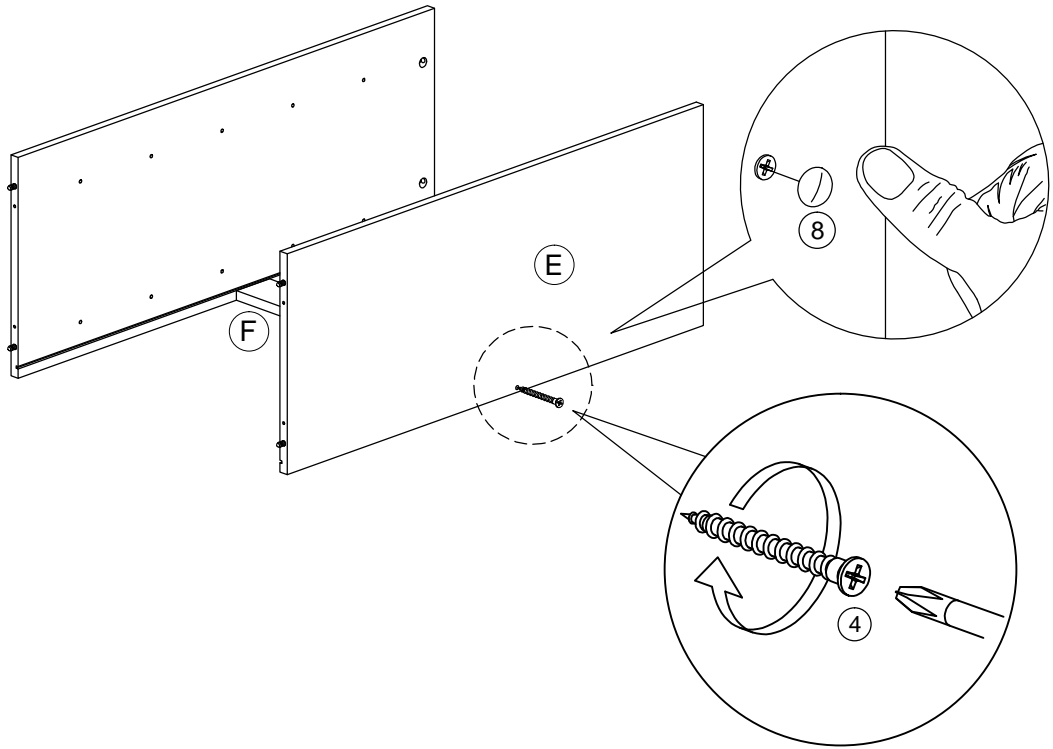


## STEP 4

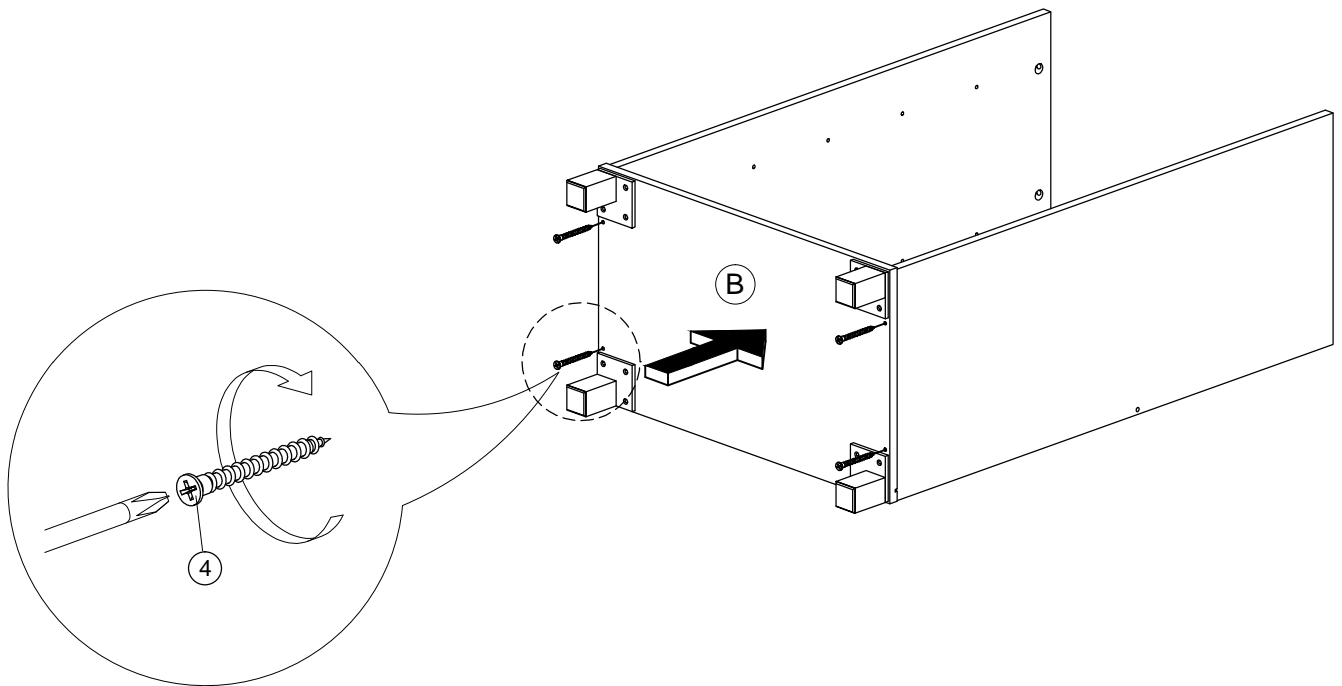


# Assembly Instruction

## STEP 5

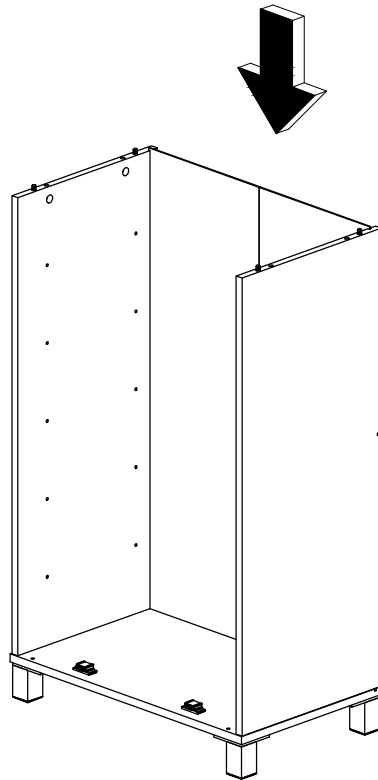


## STEP 6

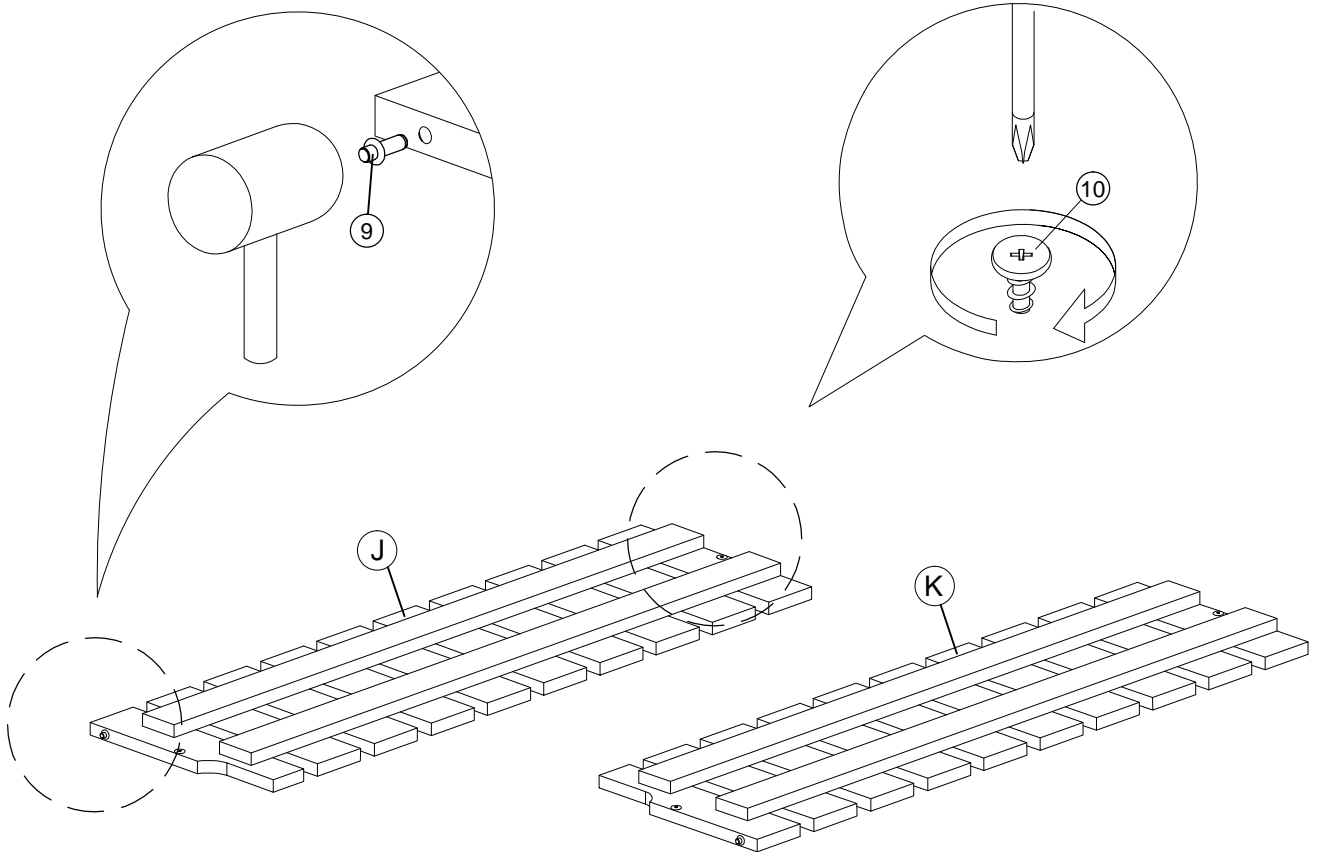


# Assembly Instruction

## STEP 7

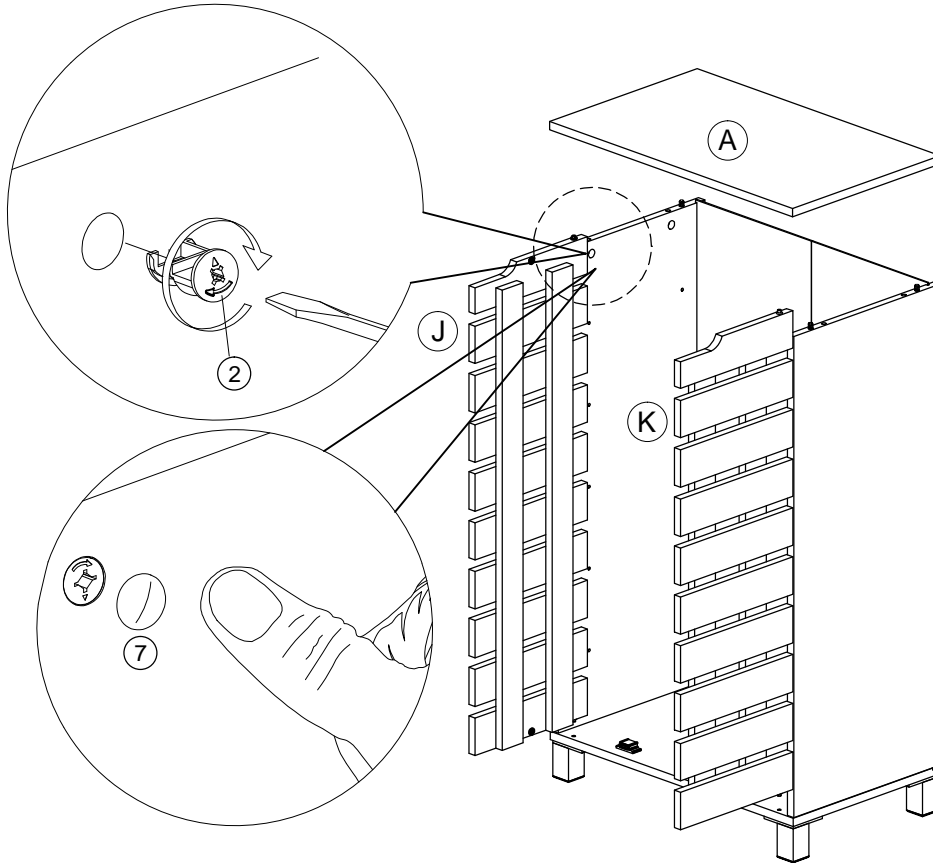


## STEP 8

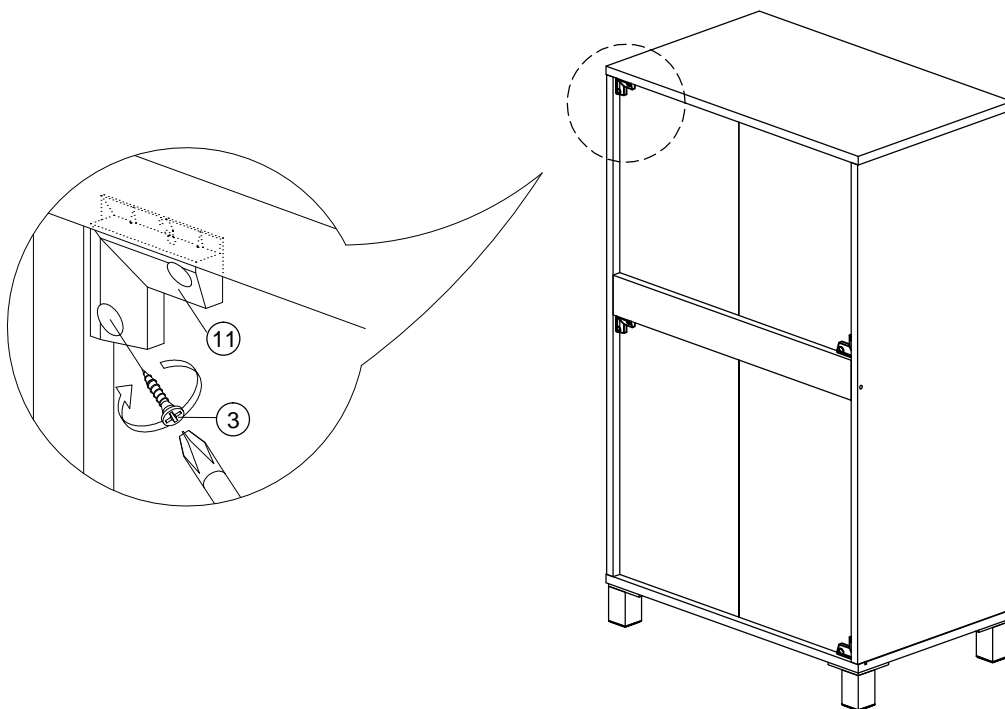


# Assembly Instruction

## STEP 9

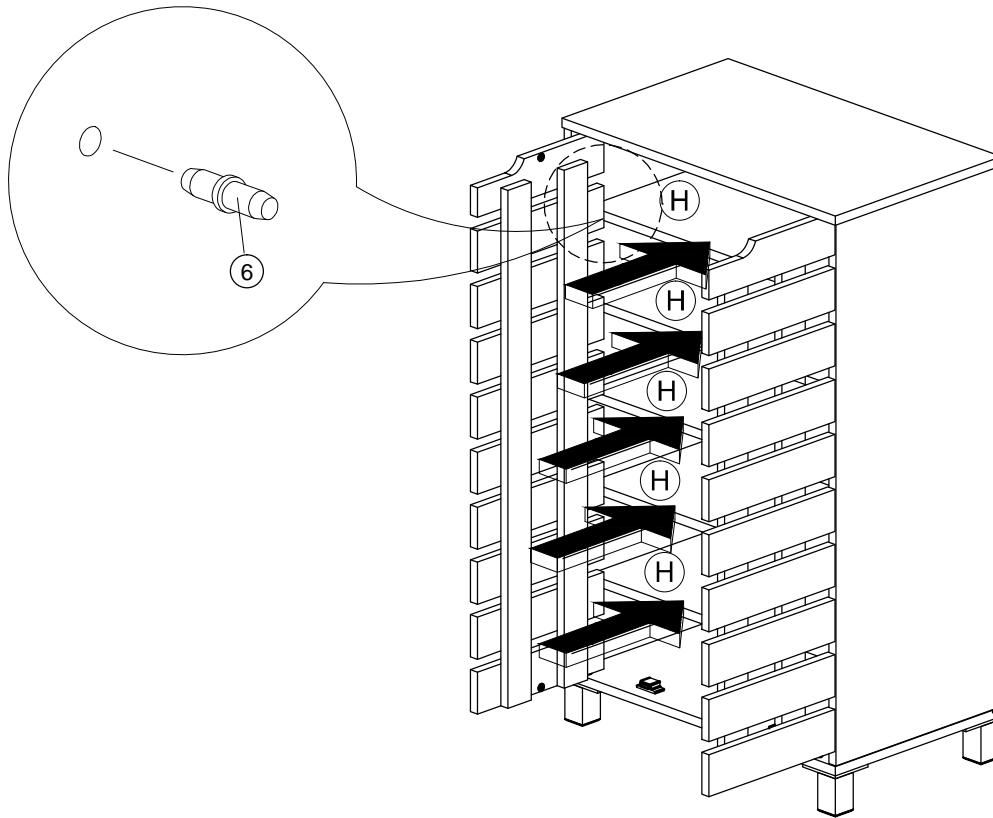


## STEP 10

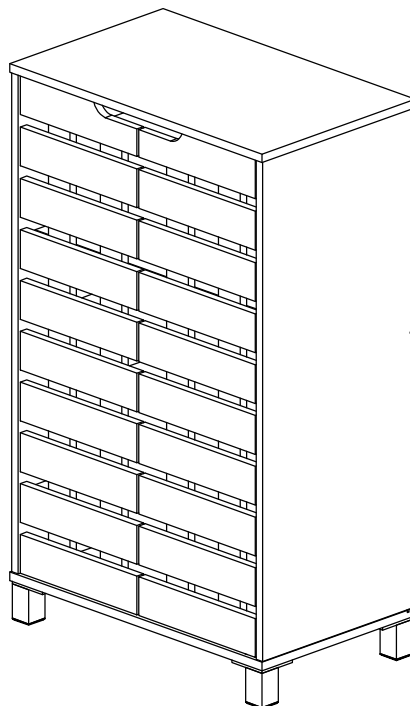


# Assembly Instruction

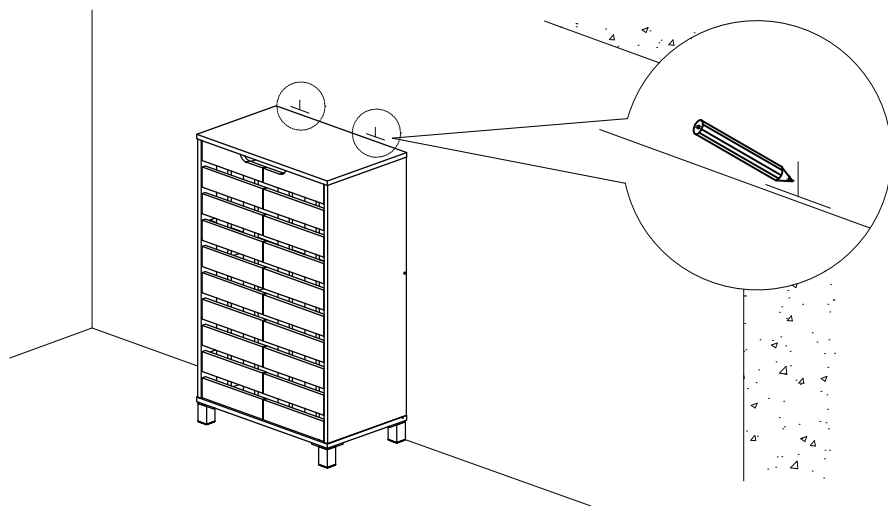
## STEP 11



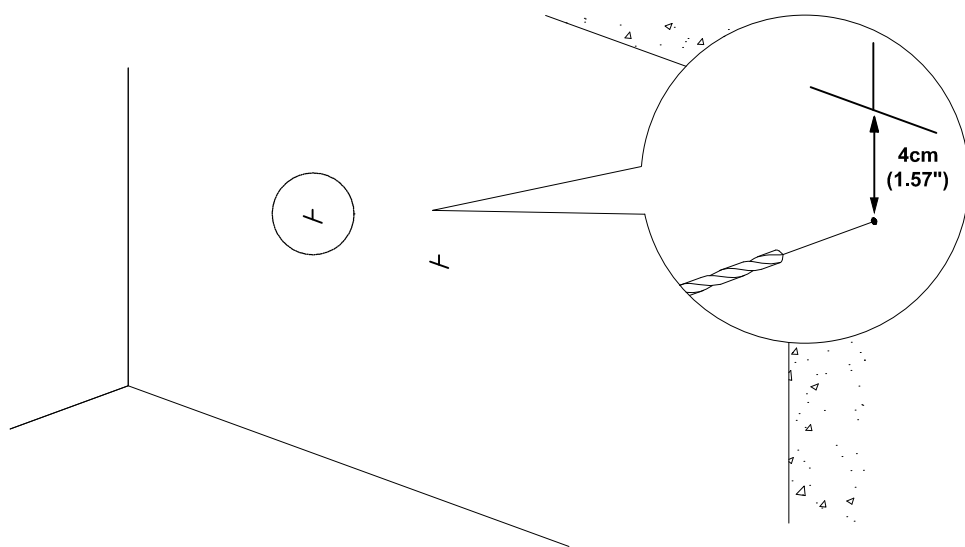
## STEP 12



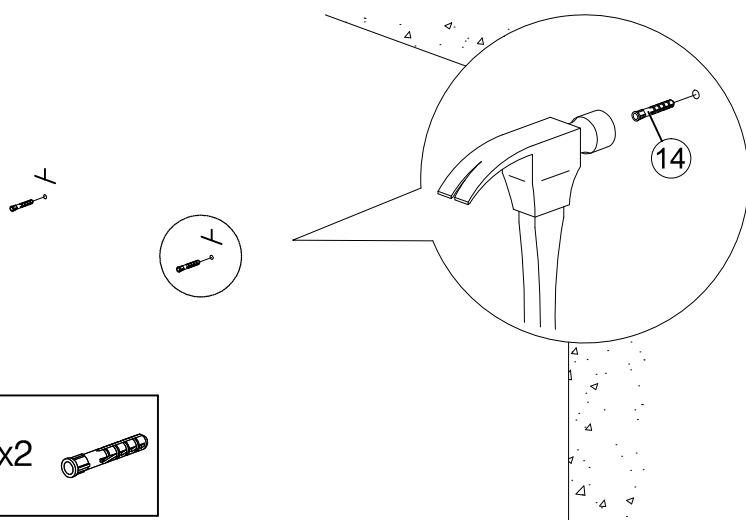
# FURNITURE TIPPING RESTRAINT



**1. First mark the wall with pencil as in diagram.**



**2. Drill small hole at the pencil mark.**

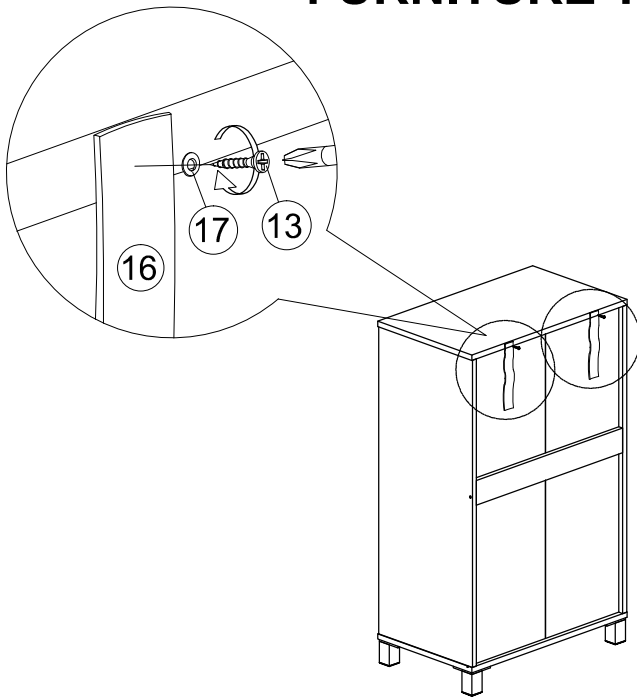


**3. Insert plastic wall plug (14).**

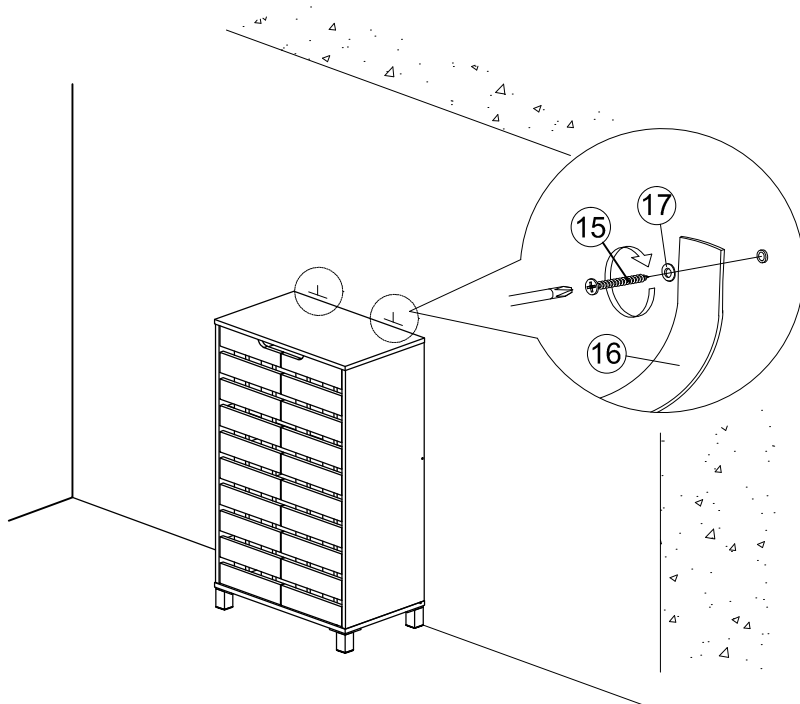
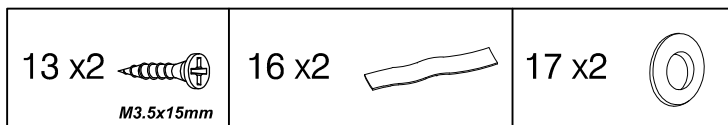
14 x2



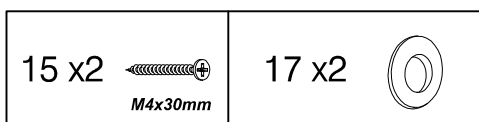
# FURNITURE TIPPING RESTRAINT

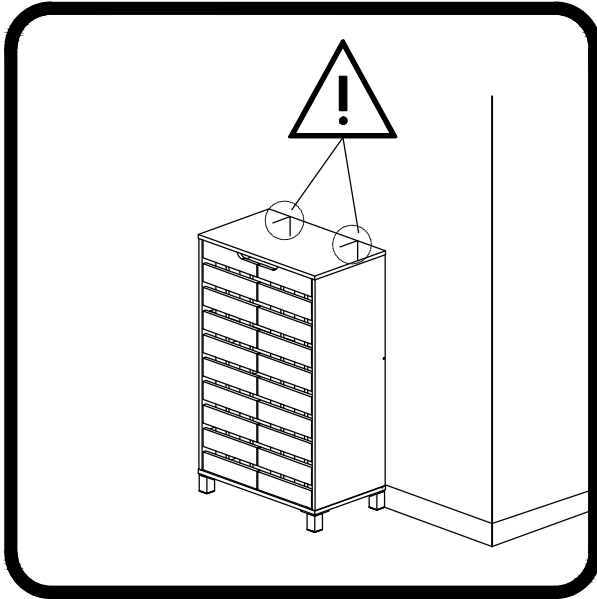




4. Add safety strap (16), washer (17) using 3.5x15mm screw (13) to back of cabinet.



5. Finally, attach safety strap (16) and washer (17) using 4x30mm screw (15) to the wall.





<b>⚠ WARNING</b>	
	<p>Children have died from furniture tipover. To reduce the risk of furniture tipover:</p> <ul style="list-style-type: none"><li>• ALWAYS install tipover restraint provided.</li><li>• NEVER put a TV on this product.</li><li>• NEVER allow children to stand, climb or hang on drawers, doors, or shelves.</li><li>• NEVER open more than one drawer at a time.</li><li>• Place heaviest items in the lowest drawers.</li></ul> <p><i>This is a permanent label. Do not remove!</i></p>
	



**Anti-Topple hardware included for added safety and stability**