



## ACRYLIC CLAWFOOT BATHTUB SERIES

---

# OWNER'S MANUAL & INSTALLATION GUIDE



**READ ENTIRE INSTALLATION GUIDE PRIOR TO INSTALLING THE BATHTUB**

This bathtub should only be installed by a certified plumber  
two people are required to lift the bathtub

For installation and assembly videos, please visit our website  
[www.streamlinebath.com](http://www.streamlinebath.com)

OR

our YouTube page by searching for  
"Streamline Bath"

OR

following the below link to our channel:

<https://www.youtube.com/channel/UCII7TGMbkwoGSqzo-pCfaJw>



External Drain  
Assembly Video



Clawfoot Assembly  
Video Version 1



Clawfoot Assembly  
Video Version 2



ND-0245-XX Drain  
Assembly Video

# PRIOR TO INSTALLATION

These products must be installed by a fully insured and licensed plumber only.

Installation of any product by anyone other than fully insured and licensed plumber shall void limited warranty.

We are not responsible for any local code compliance for this product.

Building and plumbing codes may vary state-to-state.

Streamline shall not be held liable for any and all incidental damages or flood caused due to use of this product.

Streamline shall not be held liable for any and all fees stemming from cost of installation, re-installation, removal, subsequent damage, or transportation in a case of a product defect.

## TOOLS REQUIRED



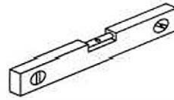
SILICONE



MEASURING  
TAPE



PENCIL



LEVER BAR



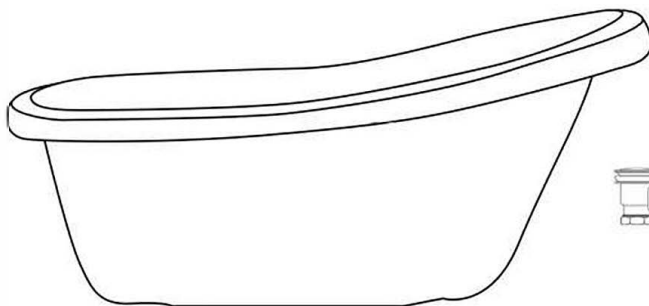
ADJUSTABLE  
KEY



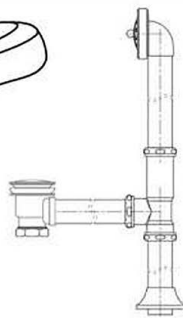
SAFETY  
GLASSES

## WHAT'S IN THE BOX

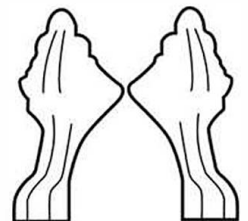
\*\* XX REPRESENTS DIFFERENT COLORS OF THE ITEM



BATHTUB



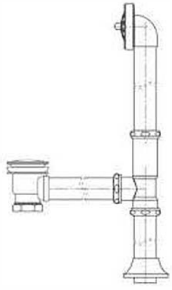
DRAIN MODEL: N-DWF-XX OR ND-045-XX\*\*



CLAW FEET

# DRAIN MODEL COMPATIBILITY

## CLAWFOOT BATHTUB



**MODEL: N-DWF-XX\*\***



N-100-60CFWH-DM  
N-103-68CFBL-DM  
N-104-60CFYW-DM  
N-105-60CFGR-DM  
N-106-60CFAMZ-DM  
N-107-60CFBLU-DM



N-340-67CFWH-FM  
N-341-59CFWH-FM  
N-342-63CFWH-FM  
N-343-55CFWH-FM



N-350-63CFYW-FM  
N-351-63CFGR-FM  
N-352-63CFAMZ-FM  
N-353-63CFMBL-FM  
N-354-55CFYW-FM



N-355-55CFGR-FM  
N-356-55CFAMZ-FM  
N-357-55CFMBL-FM  
N-368-63CFBLU-FM  
N-369-55CFBLU-FM



N-344-59CFBL-FM  
N-345-67CFBL-FM



N-1120-59CFBL-DM  
N-1121-67CFWH-DM



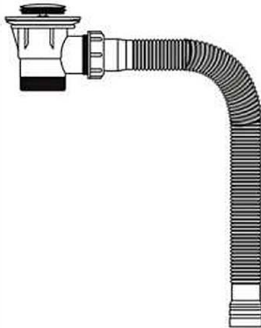
N-861-68CFWH-FM



N-900-60CFWH-DM  
N-901-68CFWH-DM



N-920-60CFWH-FM



**MODEL: ND-045-XX\*\***



N-480-61FSHW-FM



N-1020-62CFWH-FM  
N-1021-62CFRD-FM



N-1080-59CFWH-FM  
N-1081-67CFWH-FM



N-1100-59CFWH-FM



N-481-61FSBL-FM  
N-482-61FSRD-FM  
N-483-61FSYW-FM  
N-484-61FSGR-FM  
N-485-61FSAMZ-FM  
N-486-61FSBLU-FM



N-346-55CFWHIN-FM  
N-347-59CFWHIN-FM  
N-348-63CFWHIN-FM  
N-349-67CFWHIN-FM  
N-358-55CFYWIN-FM  
N-359-55CFGRIN-FM



N-360-55CFAMZIN-FM  
N-361-55CFMBLIN-FM  
N-362-59CFMBUN-FM  
N-363-63CFYWIN-FM  
N-364-63CFGRIN-FM  
N-365-63CFAMZIN-FM



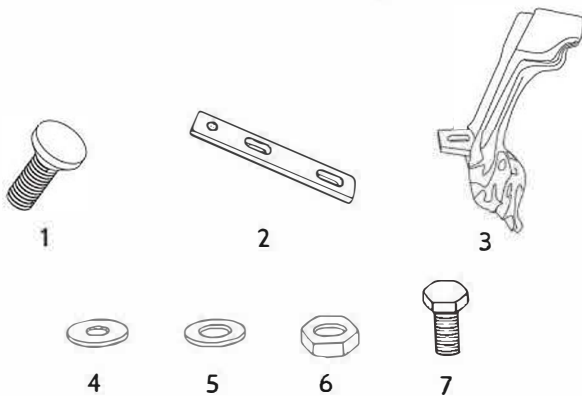
N-366-63CFMBLIN-FM  
N-367-67CFMBLIN-FM  
N-370-55CFBLU-FM  
N-371-63CFBLU-FM

\*\*XX REPRESENTS DIFFERENT COLORS OF THE ITEM

# WHAT'S INCLUDED IN THE CLAWFOOT BOX

## Applicable models:

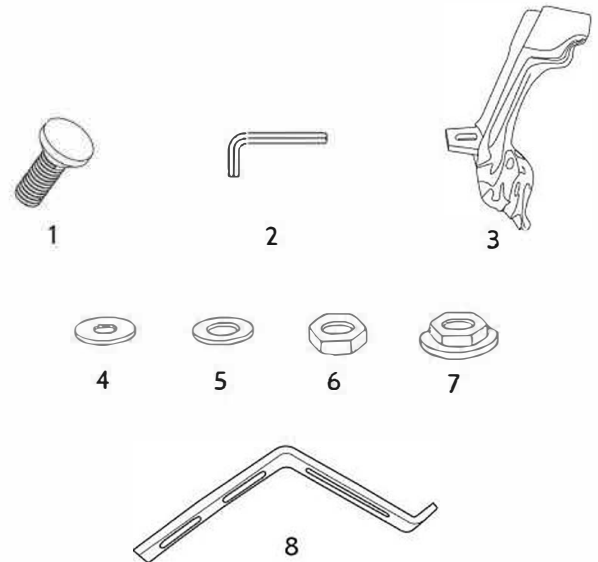
N-CFL1775-XX  
 N-CFL11603-XX  
 N-CFLK36572-XX  
 N-CFL46572-XX  
 N-CFL1912-XX \* Comes with 3 metal plates



No.	ITEM	Qty
1	Leveling Feet	4
2	Metal Plate	4
3	Claw Feet	4
4	Washer With Small Diameter	8
5	Washer With Large Diameter	4
6	Nut	12
7	Hex Bolt	4

## Applicable model:

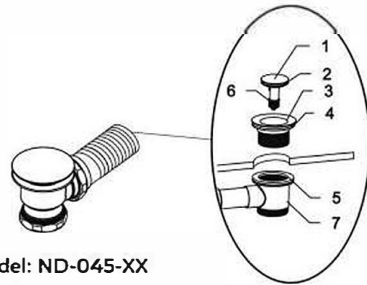
N-CFL11601-XX



No.	ITEM	Qty
1	Leveling Feet	4
2	Hex Key	1
3	Claw Feet	4
4	Washer With Small Diameter	8
5	Washer With Large Diameter	8
6	Nut	12
7	Nut With Washer	16
8	Metal Plate	4

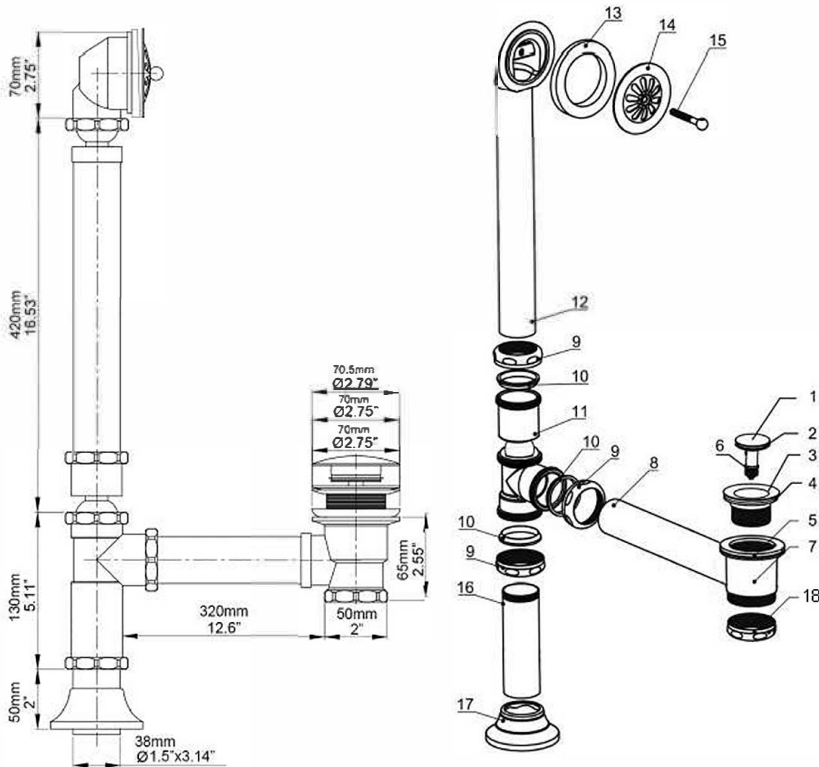
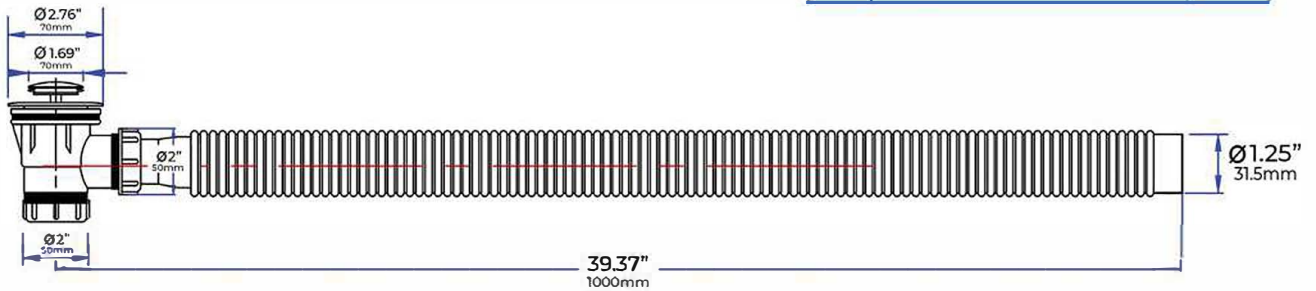
\*\*XX REPRESENTS DIFFERENT COLORS OF THE ITEM

# DRAIN DIAGRAMS



Model: ND-045-XX

No.	ITEM	Qty
1	Pop-Up Cover	1
2	O Ring	1
3	Strainer	1
4	Upper Rubber Gasket	1
5	Lower Rubber Gasket	1
6	Cartridge	1
7	Drain Tree	1

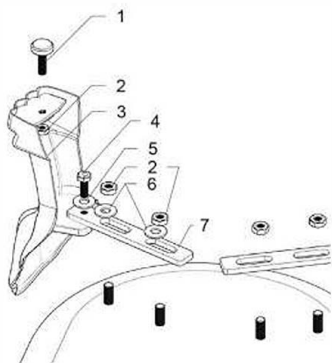
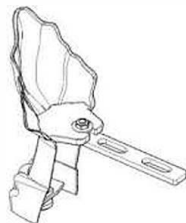


Model: N-DWF-XX

No.	ITEM	Qty
1	Pop-Up Cover	1
2	O Ring	1
3	Strainer	1
4	Upper Rubber Gasket	1
5	Lower Rubber Gasket	1
6	Cartridge	1
7	Drain Tee	1
8	Drain Ell	1
9	Coupling Nut	3
10	Washer	3
11	Tee	1
12	Overflow Ell	1
13	Tapered Rubber Gasket	1
14	Overflow Plate	1
15	Pin Bolt	1
16	Tail Piece	1
17	Flange	1
18	Drain Cap	1

\*\*XX REPRESENTS DIFFERENT COLORS OF THE ITEM

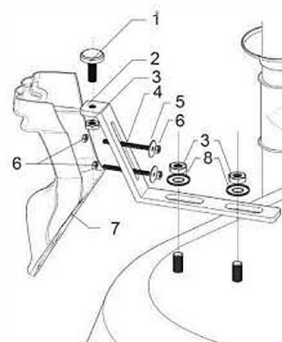
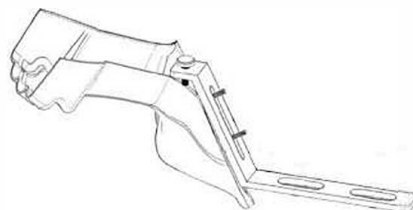
# CLAWFOOT DIAGRAM



No.	ITEM	Qty
1	Leveling Foot	1
2	Nut	3
3	Clawfoot	1
4	Hex Bolt	1
5	Washer With Large Diameter	1
6	Washer With Small Diameter	2
7	Metal Plate	1

## Applicable models:

N-CFL1775-XX  
 N-CFL11603-XX  
 N-CFLK36572-XX  
 N-CFL46572-XX  
 N-CFL1912-XX \* Comes with 3 metal plates



No.	ITEM	Qty
1	Leveling Foot	1
2	Metal Plate	1
3	Nut	3
4	Bolt	2
5	Washer With Small Diameter	2
6	Nut With Washer	4
7	Clawfoot	1
8	Washer With Large Diameter	2

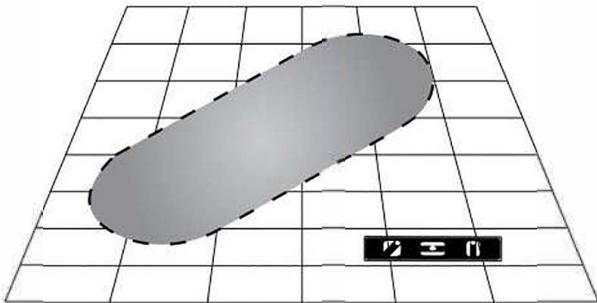
## Applicable model:

N-CFL11601-XX

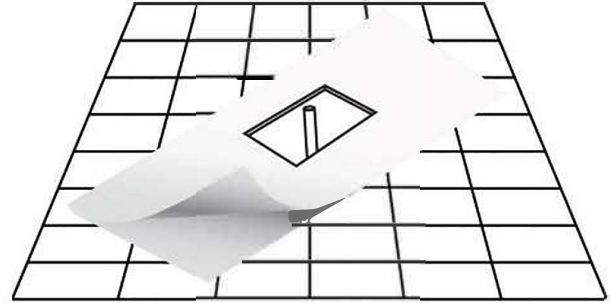
\*\*XX REPRESENTS DIFFERENT COLORS OF THE ITEM

# BATHTUB INSTALLATION

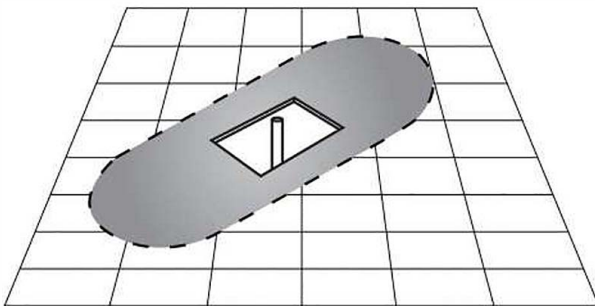
- 1** Ensure that the floor at the installation site has sufficient floor support and level.



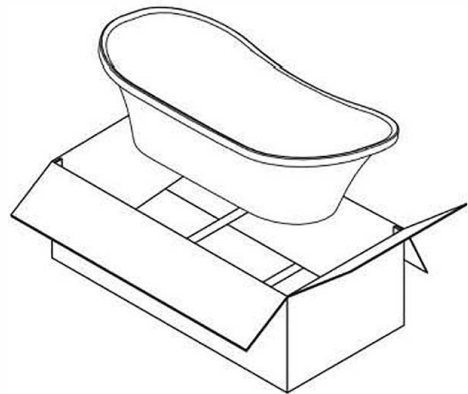
- 2** Waterproofing the floor is highly recommended.



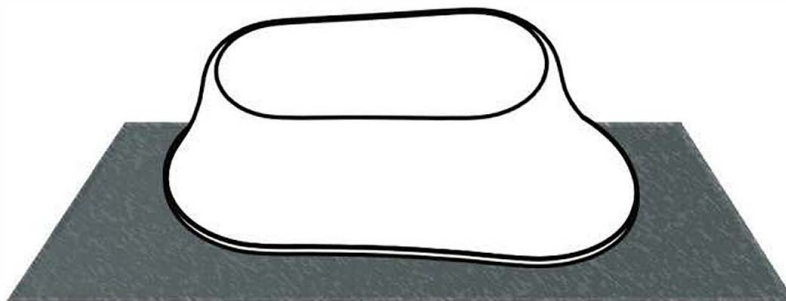
- 3** Determine the location of the drainpipe on the floor by taking measurement of the drain and waste location underneath the unit. Clean the drain hole area in preparation of setting the drain. The area should be dry & free from any debris.



- 4** Remove the bathtub from its box. It is recommended that the bathtub is carried by a minimum of two people. Ensure to carry and set down the bathtub only in the upside-down position.



- 5** Gently place the bathtub in the upside-down position on a tarp or cardboard sheet in order to avoid contact with any surface.

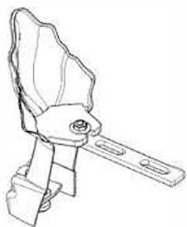


# BATHTUB INSTALLATION

**6** This step will be attaching the clawfeet to the bathtub. Please check the previous page to see which clawfoot model is applicable to your bathtub.

Applicable models :

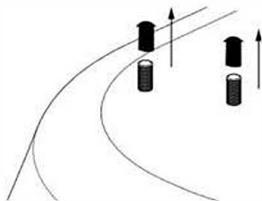
N-CFL1775-XX  
N-CFL11603-XX  
N-CFLK36572-XX  
N-CFL46572-XX  
N-CFL1912-XX \* Comes with 3 metal plates



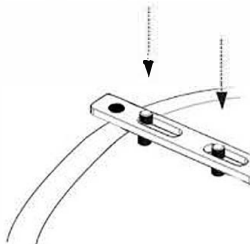
1. Take 1 adjustable leveling foot (Part #1) and place it through the hole at the top of the clawfoot (Part #3). Secure the leveling foot by using 1 nut (Part #2) on the underside of the bolt for the leveling foot. Screw and tighten the nut.



2. Remove the safety caps from the bolts on the bathtub.

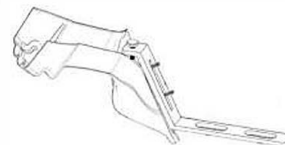


3. Take 1 metal plate (Part #7) and place it on top of the bathtub bolts, making sure that the end of the plate with the singular hole is facing outwards on the bathtub.

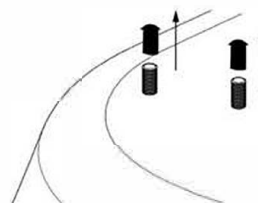


Applicable models:

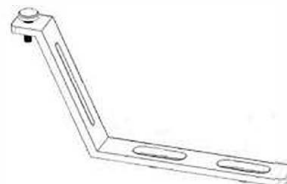
N-CFL11601-XX



1. Remove the safety caps from the bolts on the bathtub.



2. Take 1 adjustable leveling foot (Part #1) and place it through the hole at the top of the metal plate (Part #2). Secure the leveling foot by using 1 nut (Part #3) on the underside of the bolt for the leveling foot.



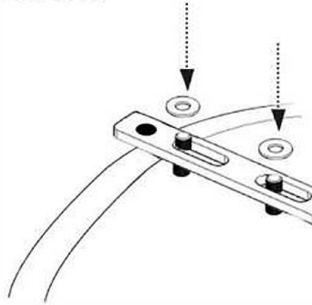
3. Take 1 bolt (Part #4) and 1 nut with washer (Part #6) and screw the nut onto the bolt, approximately  $\frac{1}{4}$  of the length of the bolt. Repeat this step for the second bolt.



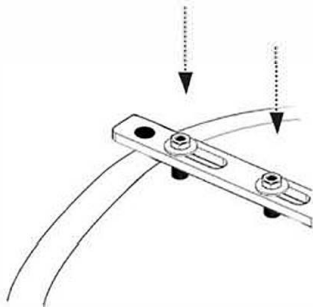
\*\*XX REPRESENTS DIFFERENT COLORS OF THE ITEM

# BATHTUB INSTALLATION

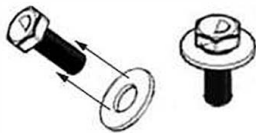
4. Take 2 washers (Part #6) and place 1 washer over each bathtub bolt.



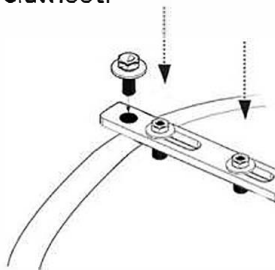
5. Take 2 nuts (Part #2) and place 1 over each bathtub bolt. Tighten, but do NOT tighten fully. This is so the metal bar can be adjusted and slid to accommodate.



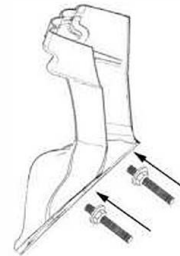
6. Take 1 hex bolt (Part #4) and take 1 washer with a large diameter (Part #5) and put the washer through the bolt. Here is how it should look in your hand:



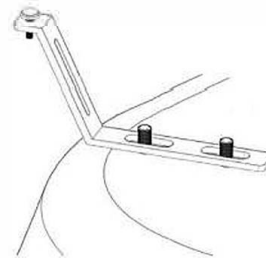
7. Screw the nut with the washer on top of the metal bar but do not screw in fully. Leave room to insert the clawfoot.



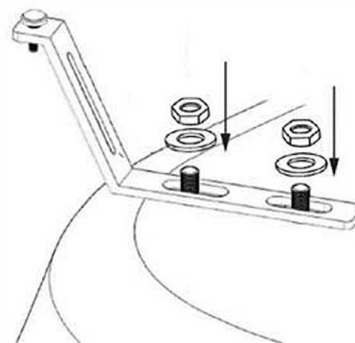
4. Take the bolt, nut and screw them into the clawfoot as shown in the diagram below. Make sure to tighten the bolt into the clawfoot using the provided hex key.



5. Place the metal plate (Part #2) over the bolts on the bathtub as shown in the diagram below. Make sure to adjust the metal plate so that it fits snug with the bolts on the bathtub. This will help to ensure that the clawfeet are placed correctly and are functioning properly.

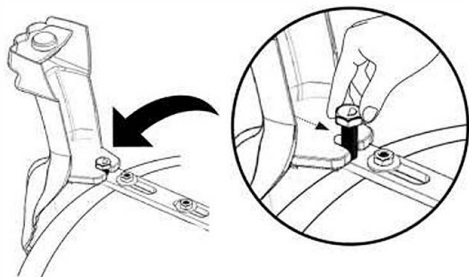


6. Take 1 washer (Part #8) and put it over the bolt on the bathtub. Then take 1 nut (Part #3) and place it over the washer, but do not tighten the bolt completely. Repeat this step for the other bolt on the bathtub.

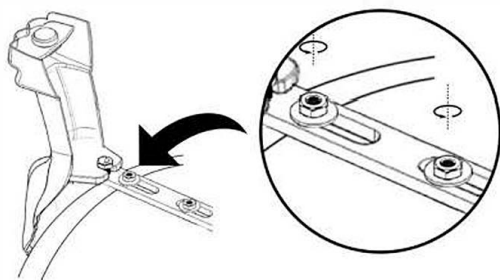


# BATHTUB INSTALLATION

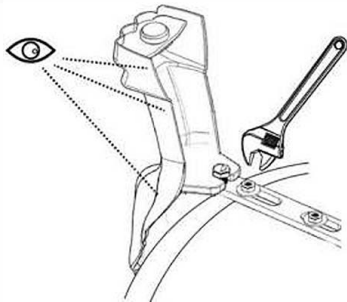
8. Lift up the washer and insert the clawfoot through, making it sit as snug as possible with the exterior of the bathtub.



9. Align and adjust to your preference. If necessary, the metal plate can be moved to help make the claw foot sit as snug as possible with the exterior of the bathtub.

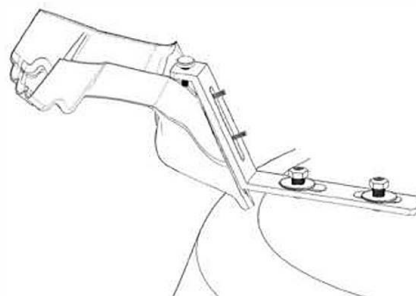


10. Once this is done, tighten the nuts using a wrench.

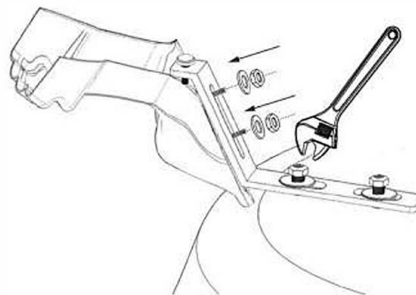


11. Repeat the same procedure for the other 3 legs.

7. Take the clawfoot (Part #7) and align it with the bathtub, ensuring that the top bolts go through the opening and are fit snug with both the bathtub and metal plate.



8. Take 1 washer (Part #5) and place it over the bolt on the metal plate. Then take 1 nut with washer (Part #6) and screw it into the bolt. Do NOT tighten. Repeat the same step for the lower bolt. Make sure that the claw-foot sits snug and is flush with the bathtub. Once this is done, use a wrench to tighten all the nuts.

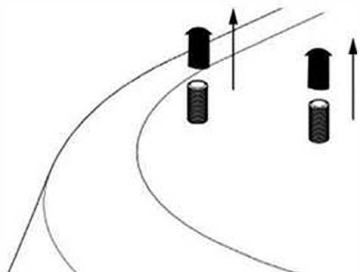


9. Repeat the same procedure for the other 3 legs.

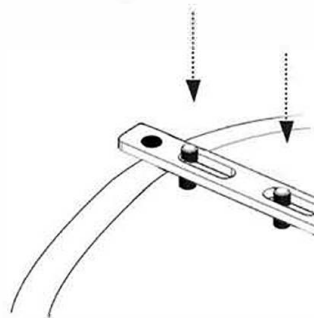
# THE BELOW INSTRUCTIONS ARE FOR THE FOLLOWING CLAWFOOT MODEL THAT HAS 3 PLATES: N-CFL1912-XX

PLEASE FOLLOW THE BELOW INSTRUCTIONS ON ATTACHING THE LONGER PLATE.

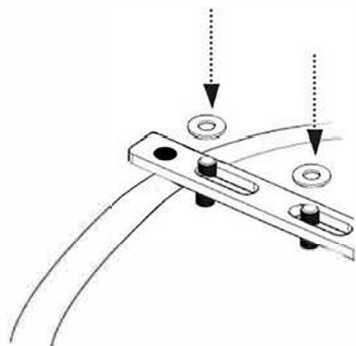
1. Remove the safety caps from the bolts on the bathtub.



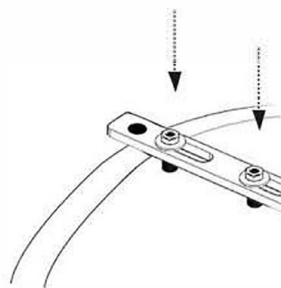
2. Place the metal plate over the two metal bolts.



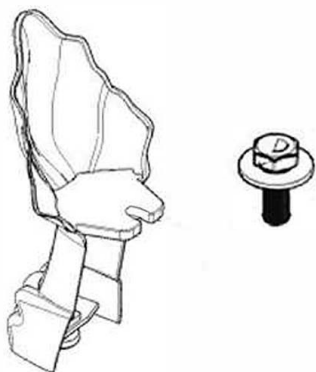
3. Take 2 washers (Part #6) and place 1 over each metal bolt.



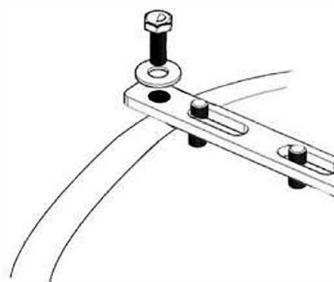
4. Take 2 nuts (Part #2) and place it over each metal bolt. DO NOT FULLY tighten yet as there will be adjustments necessary.



5. Take 1 bolt (Part #4) and 1 washer (Part #5) and 1 clawfoot.



6. Take the bolt and washer and place it through the hole in the metal bar. DO NOT put it through entirely, as space will be needed to slide the clawfoot between the bolt and the plate.

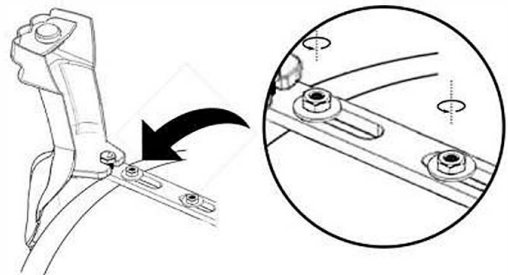
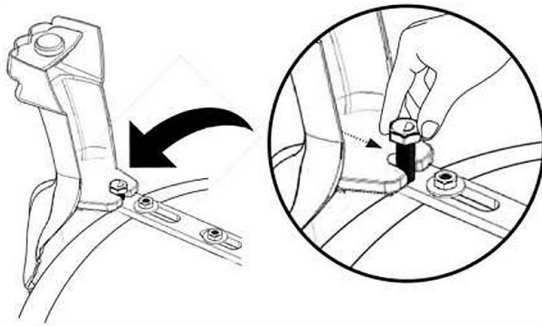


\*\*XX REPRESENTS DIFFERENT COLORS OF THE ITEM

# THE BELOW INSTRUCTIONS ARE FOR THE FOLLOWING CLAWFOOT MODEL THAT HAS 3 PLATES: N-CFL1912-XX

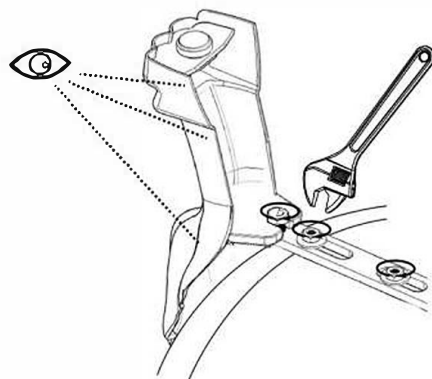
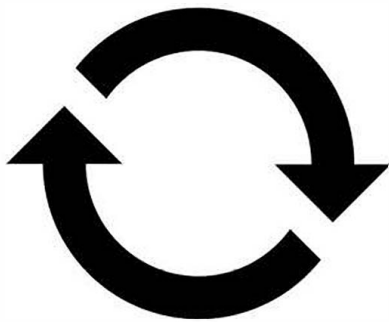
PLEASE FOLLOW THE BELOW INSTRUCTIONS ON ATTACHING THE LONGER PLATE.

7. Take 1 clawfoot, lift the nut and washer, and slide the clawfoot into place. **DO NOT TIGHTEN FULLY.** Adjust the clawfoot positioning as necessary to make the clawfoot flush with the bathtub.
8. If needed, loosen the nuts on the metal plate to be able to adjust the clawfeet. To affix the clawfoot properly, the metal plate can be slide-adjusted and moved to accommodate the correct clawfoot positioning prior to tightening all nuts and bolts.



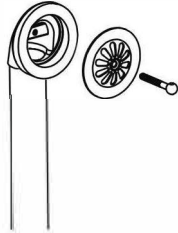
9. Repeat for the second clawfoot on the other end.

10. Once the clawfeet are positioned properly, tighten all nuts and bolts.

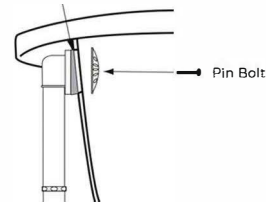


# THE BELOW INSTRUCTIONS ARE FOR INSTALLING DRAIN ASSEMBLY N-DWF-XX

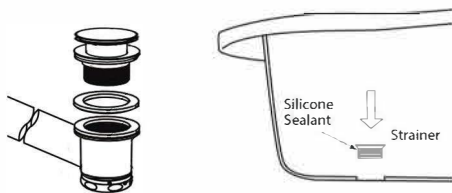
1. Take the overflow ell and unscrew the pin bolt, removing the overflow cover as well.



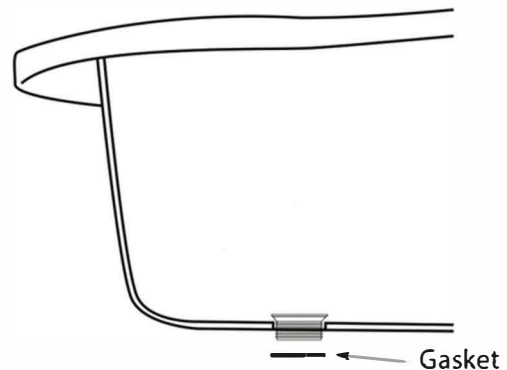
2. Take the tapered rubber gasket and the overflow ell and place it on the overflow hole on the back of the bathtub. Run the pin bolt with the overflow cover through the overflow hole and tighten firmly.



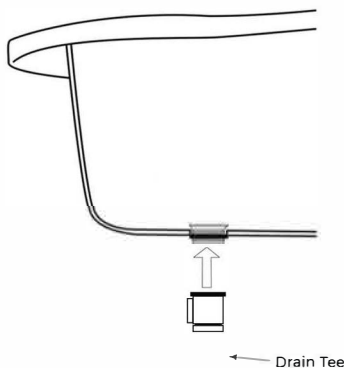
3. Remove the strainer from the drain tee. Take off the larger, lower rubber gasket. Set it aside. DO NOT TAKE OFF THE SMALLER, UPPER GASKET. Place the strainer through the drain hole in the bathtub. Use silicone sealant to seal and ensure a tight connection. DO NOT use plumber's putty.



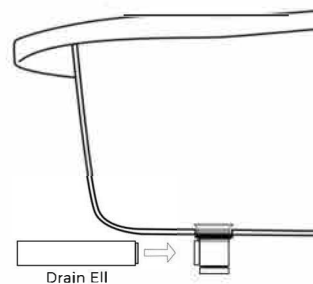
4. Take the lower gasket that was previously removed and re-attach it to the strainer from underneath the bathtub.



5. Screw on the drain tee to the bottom of the drain, making sure the opening of the drain tee is facing outwards to align with the overflow hole.

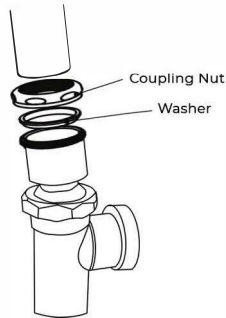


6. Insert the drain ell into the drain tee and screw in tightly. The use of threaded plumbing tape may be necessary at the joint to prevent leakage. This can be done at your discretion.

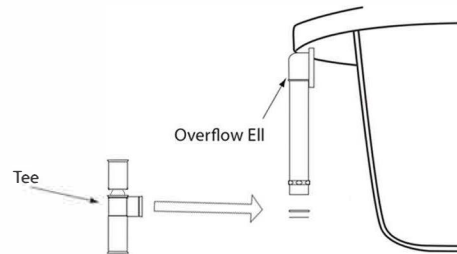


# THE BELOW INSTRUCTIONS ARE FOR INSTALLING DRAIN ASSEMBLY N-DWF-XX

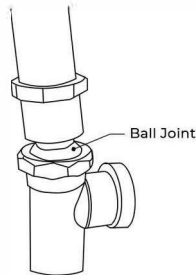
7. Remove the coupling nut and washer from the top of the tee where the ball joint is located.



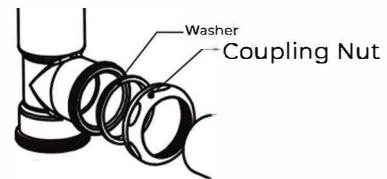
8. Connect the top of the ball joint tee with the overflow ell using the washer and coupling nut. Tighten firmly to have a leakless connection.



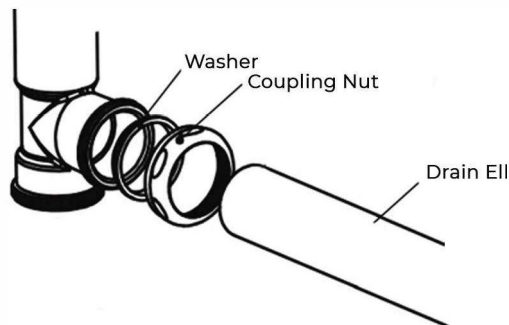
9. Use the ball and joint to angle the drain properly to allow for proper installation in the bathroom.



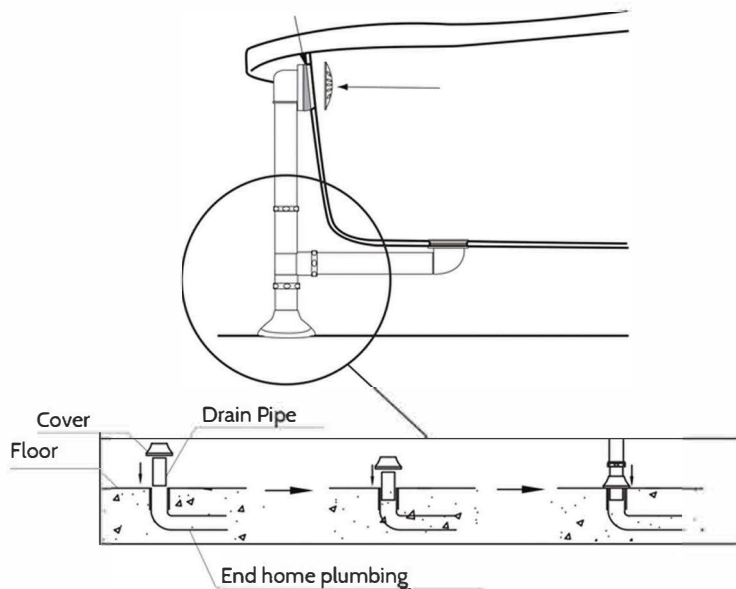
10. Remove the coupling nut and washer from the left-hand side of the drain tee.



11. Connect the drain ell with the left-hand side of the drain tee using the coupling nut and washer. Tighten firmly to have a leakless connection.



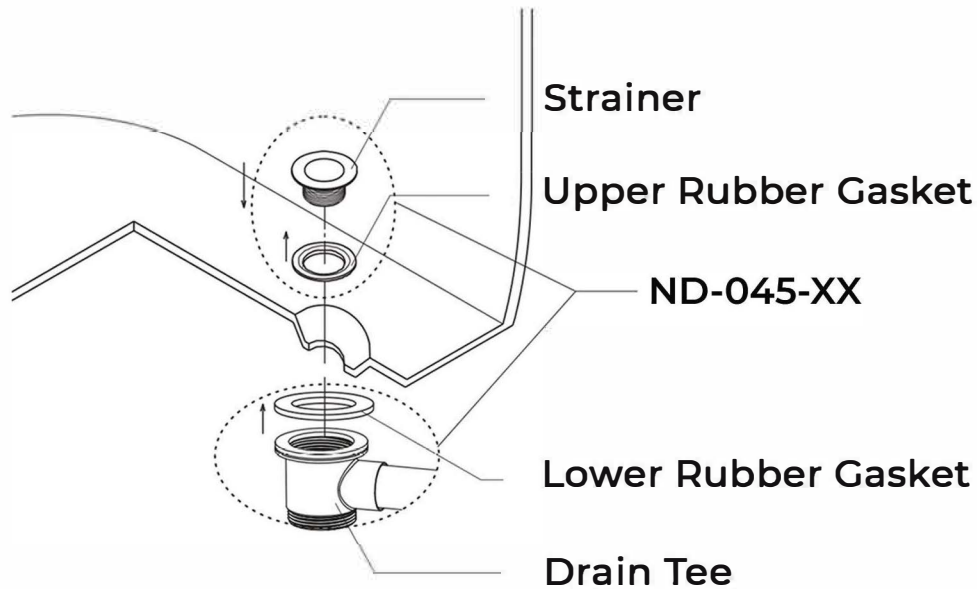
- 12.** Attach the flange to the base of the external drain and proceed to connect the drain to the end home plumbing.



- 13.** Prior to finalizing installation, check all drain connections and fill the bathtub with a minimal level of water to test and ensure that no connections are leaking.

# THE INSTALLATION STEPS BELOW ARE FOR DRAIN MODEL ND-045-XX

---



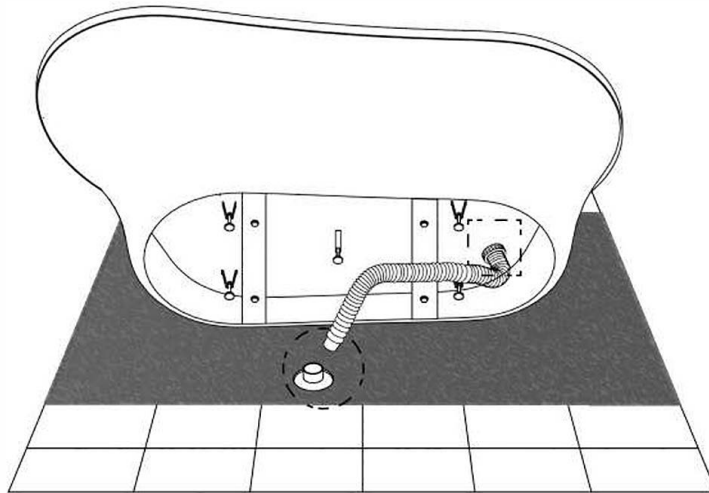
1. Unscrew the strainer from the drain tee.
2. Take off the larger, lower rubber gasket. DO NOT TAKE OFF THE SMALLER, UPPER GASKET.
3. Place the strainer through the hole in the bathtub. Use silicone sealant to seal and ensure a tight connection. DO NOT use plumber's putty.
4. Take the lower gasket that was previously removed and re-attach it to the strainer from underneath the bathtub.
5. Attach the drain tee to the strainer. Tighten using a wrench if necessary.

\*\*XX REPRESENTS DIFFERENT COLORS OF THE ITEM

## THE INSTALLATION STEPS BELOW ARE FOR DRAIN MODEL ND-045-XX

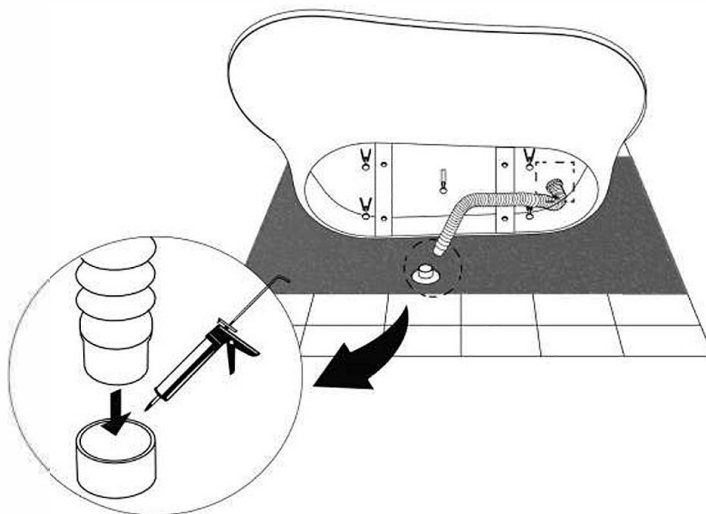
---

6. Proceed to place the provided flexible drain hose into the floor drain.



7. Please note, the flexible hose is a basic way that we provide to connect to the end plumbing in a home. The plumbing installation in every home differs, so please consult with a certified plumber to see if the plumbing in your home is compatible with using a basic flexible hose.

8. Seal the connection by using a PVC pipe sealant to join the parts together.





# LES BAIGNOIRES SUR PIED

---

# GUIDE D'INSTALLATION ET D'UTILISATION



**LIRE CE GUIDE EN ENTIER AVANT D'INSTALLER LA BAIGNOIRE**

**CETTE BAIGNOIRE NE DEVRAIT ÊTRE INSTALLÉE  
QUE PAR UN PLOMBIER PROFESSIONNEL**

Pour des vidéos d'installation, veuillez visiter notre site web  
**[www.streamlinebath.com](http://www.streamlinebath.com)**

OU

Notre page Youtube en cherchant  
« **Streamline Bath** »

OU

En suivant ce lien



**Vidéo d'assemblage  
d'un drain externe**



**Vidéo d'assemblage  
d'un pied Version 1**



**Vidéo d'assemblage  
d'un pied Version 2**



**Vidéo d'assemblage  
d'un drain ND-0245-XX**

# AVANT L'INSTALLATION

Ces produits ne doivent être installés que par un plombier en règle et assuré.

L'installation de ces produits par un non-professionnel rendra immédiatement la garantie nulle.

Nous ne sommes pas responsables des législations locales auxquelles ce produit devrait se plier. Les réglementations de plomberie et construction peuvent varier d'État à État. Streamline n'est pas responsable des dégâts accidentels ou dégâts des eaux causés à ce produit.

Streamline n'est pas responsable des frais supplémentaires d'installation, réinstallation, extraction, réparation ou transport en cas d'un défaut de produit.

## OUTILS NÉCESSAIRES



SILICONE



RUBAN  
MESUREUR



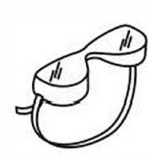
CRAYON À  
PAPIER



NIVEAU À  
BULLE



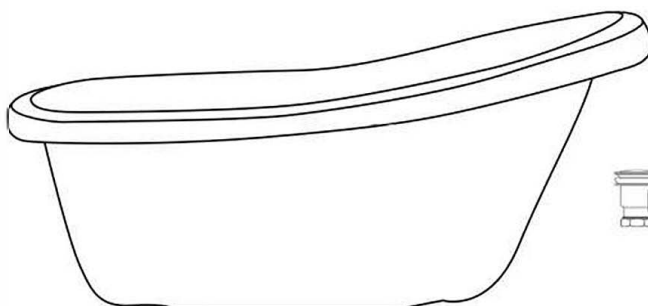
CLÉ À  
MOLETTE



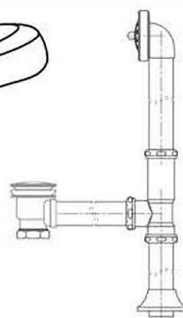
LUNETTES DE  
SÉCURITÉ

## DANS LA BOITE

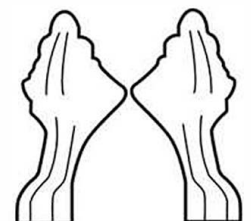
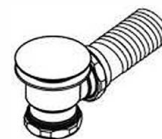
\*\*XX REPRÉSENTE LES DIFFÉRENTES COULEURS DES OBJETS



BAIGNOIRE



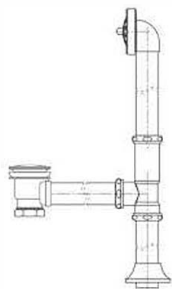
DRAIN MODÈLE: N-DWF-XX OR ND-045-XX\*\*



PIEDS

# COMPATIBILITÉ DES MODÈLES DE DRAINS

## BAIGNOIRES AUTONOME



**MODÈLE: N-DWF-XX\*\***



N-100-60CFWH-DM  
N-103-68CFBL-DM  
N-104-60CFYW-DM  
N-105-60CFGR-DM  
N-106-60CFAMZ-DM  
N-107-60CFBLU-DM



N-340-67CFWH-FM  
N-341-59CFWH-FM  
N-342-63CFWH-FM  
N-343-55CFWH-FM



N-350-63CFYW-FM  
N-351-63CFGR-FM  
N-352-63CFAMZ-FM  
N-353-63CFMBL-FM  
N-354-55CFYW-FM



N-355-55CFGR-FM  
N-356-55CFAMZ-FM  
N-357-55CFMBL-FM  
N-368-63CFBLU-FM  
N-369-55CFBLU-FM



N-344-59CFBL-FM  
N-345-67CFBL-FM



N-1120-59CFBL-DM  
N-1121-67CFWH-DM



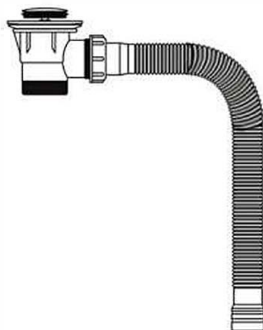
N-861-68CFWH-FM



N-900-60CFWH-DM  
N-901-68CFWH-DM



N-920-60CFWH-FM



**MODÈLE: ND-045-XX\*\***



N-480-61FSHW-FM



N-1020-62CFWH-FM  
N-1021-62CFRD-FM



N-1080-59CFWH-FM  
N-1081-67CFWH-FM



N-1100-59CFWH-FM



N-481-61FSBL-FM  
N-482-61FSRD-FM  
N-483-61FSYW-FM  
N-484-61FSGR-FM  
N-485-61FSAMZ-FM  
N-486-61FSBLU-FM



N-346-55CFWHIN-FM  
N-347-59CFWHIN-FM  
N-348-63CFWHIN-FM  
N-349-67CFWHIN-FM  
N-358-55CFYWIN-FM  
N-359-55CFGRIN-FM



N-360-55CFAMZIN-FM  
N-361-55CFMBLIN-FM  
N-362-59CFMBUN-FM  
N-363-63CFYWIN-FM  
N-364-63CFGRIN-FM  
N-365-63CFAMZIN-FM



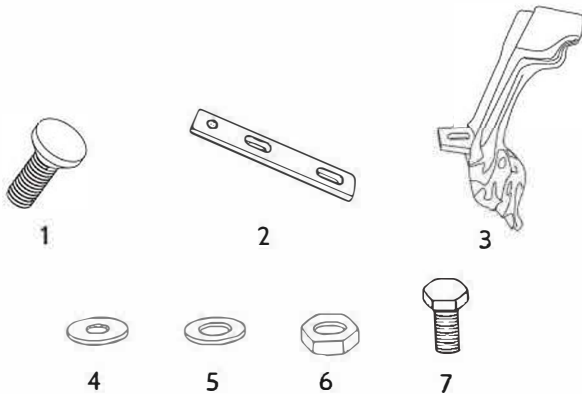
N-366-63CFMBLIN-FM  
N-367-67CFMBLIN-FM  
N-370-55CFBLU-FM  
N-371-63CFBLU-FM

\*\*XX REPRÉSENTE LES DIFFÉRENTES COULEURS DES OBJETS

# DANS LA BOITE DES PIEDS

## Modèles compatibles

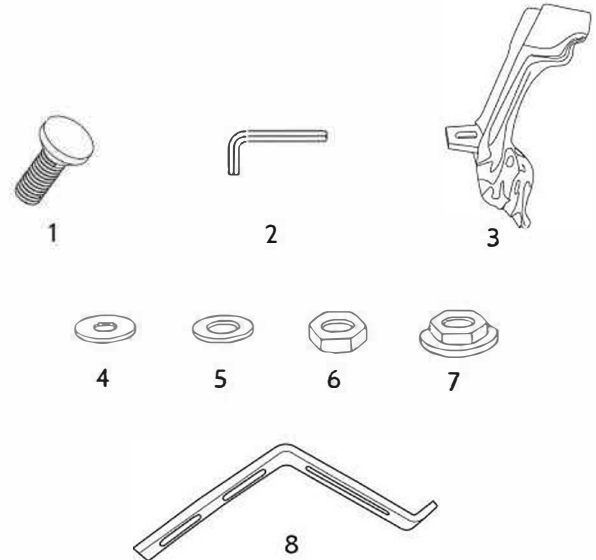
N-CFL1775-XX  
 N-CFL11603-XX  
 N-CFLK36572-XX  
 N-CFL46572-XX  
 N-CFL1912-XX \* Fournis avec 3 plaques métalliques



No.	ITEM	Qté.
1	Pieds ajustables	4
2	Barre en métal	4
3	Pied	4
4	Bague petit diamètre	8
5	Bague grand diamètre	4
6	Écrou	12
7	Boulon hexagonal	4

## Modèle compatibles

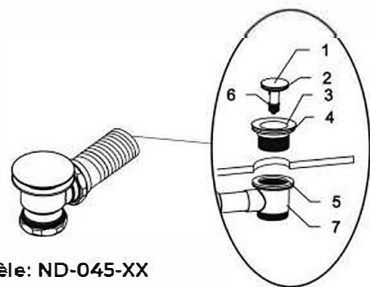
N-CFL11601-XX



No.	ITEM	Qté.
1	Pieds ajustables	4
2	Clé hexagonale	1
3	Pied	4
4	Bague petit diamètre	8
5	Bague grand diamètre	8
6	Écrou	12
7	Écrou avec bague	16
8	Barre en métal	4

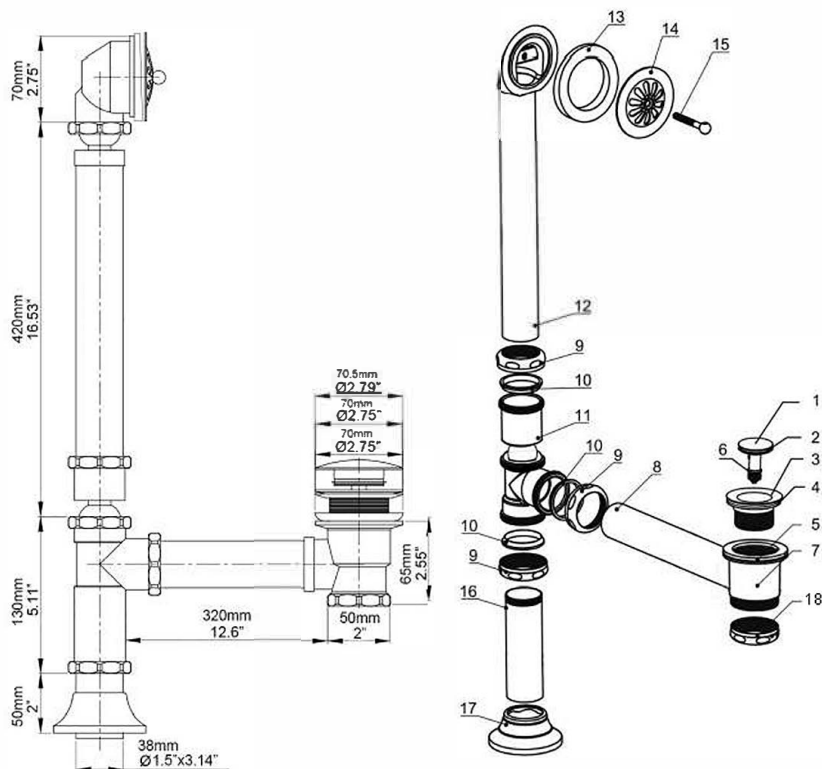
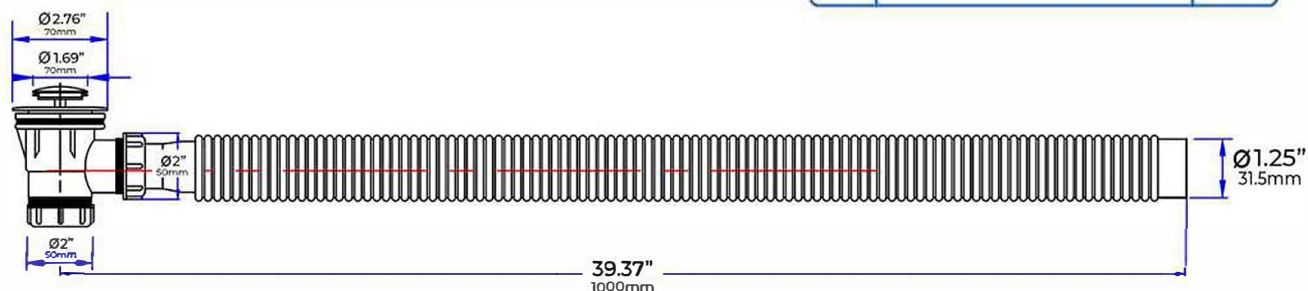
\*\*XX REPRÉSENTE LES DIFFÉRENTES COULEURS DES OBJETS

# DIAGRAMMES DU DRAIN



Modèle: ND-045-XX

No.	ITEM	Qté.
1	Couvercle pop-up	1
2	Anneau en O	1
3	Drain	1
4	Joint en caoutchouc	1
5	Joint plat en caoutchouc	1
6	Cartouche	1
7	Drain tee	1

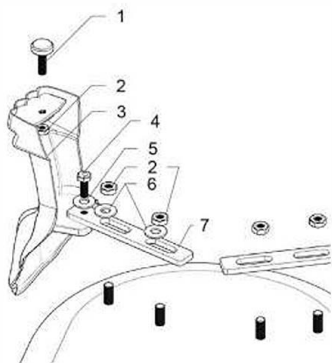
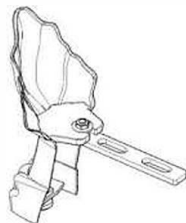


Modèle: N-DWF-XX

No.	ITEM	Qté.
1	Couvercle	1
2	Couvercle de joint	1
3	Drain	1
4	Joint supérieur de déchets	1
5	Joint inférieur de déchets	1
6	Cartouche	1
7	Connecteur	1
8	Noix d'assemblage	1
9	Noix	3
10	Bague	3
11	Drain Tee	1
12	Tuyau	1
13	Joint effilé en caoutchouc	1
14	Plateau de débordement	1
15	Boulon	1
16	Pièce taique	1
17	Bride	1
18	Bouchon de drain	1

\*\*XX REPRÉSENTE LES DIFFÉRENTES COULEURS DES OBJETS

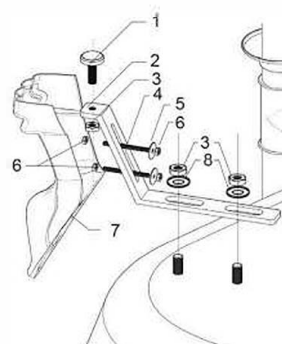
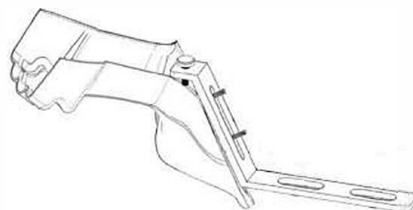
# CONFIGURATION DES PIEDS



No.	ITEM	Qté.
1	Pieds ajustables	1
2	Écrou	3
3	Pied	1
4	Boulon hexagonal	1
5	Bague petit diamètre	1
6	Bague grand diamètre	2
7	Barre en métal	1

## Modèles compatibles:

N-CFL1775-XX  
 N-CFL11603-XX  
 N-CFLK36572-XX  
 N-CFL46572-XX  
 N-CFL1912-XX \* Fournis avec 3 plaques métalliques



No.	ITEM	Qté.
1	Pieds ajustables	1
2	Barre en métal	1
3	Écrou	3
4	Boulon	2
5	Bague petit diamètre	2
6	Écrou avec bague	4
7	Pied	1
8	Bague grand diamètre	2

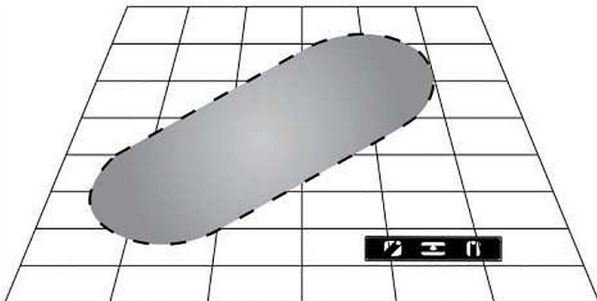
## Modèle compatibles:

N-CFL11601-XX

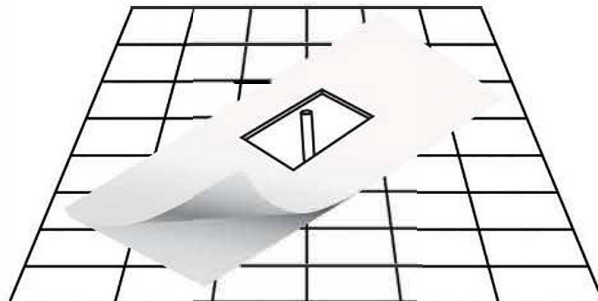
\*\*XX REPRÉSENTE LES DIFFÉRENTES COULEURS DES OBJETS

# INSTALLATION DE LA BAIGNOIRE

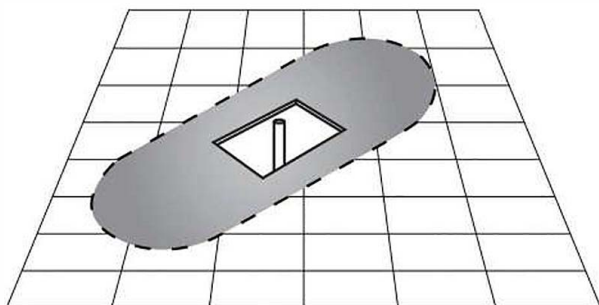
- 1** Assurez-vous que le sol est droit et assez solide.



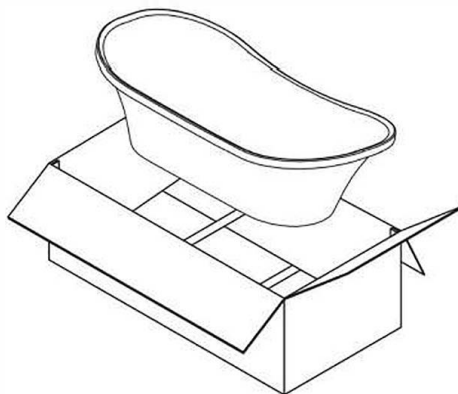
- 2** Imperméabiliser le sol est recommandé.



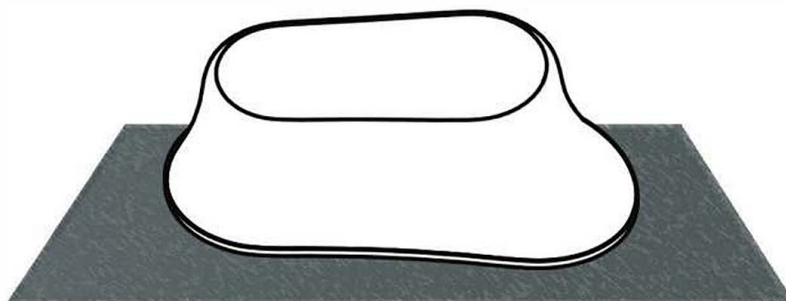
- 3** Déterminer l'emplacement du drain au sol en mesurant la distance entre le drain et le trou d'évacuation sous la baignoire. Nettoyer la zone de drain avant l'installation. La zone devrait être sèche et vide.



- 4** Sortir la baignoire de sa boîte. Il est recommandé que deux personnes au moins portent la baignoire. Assurez-vous de la porter à l'envers.



- 5** Placer la baignoire à l'envers sur un tapis ou du carton afin d'éviter tout contact avec une surface dure.



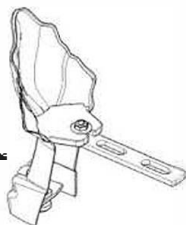
# INSTALLATION DE LA BAIGNOIRE

**6** Cette étape consiste à assembler les pieds à la baignoire. Veuillez utiliser les pages précédentes pour déterminer quel modèle est compatible avec votre baignoire.

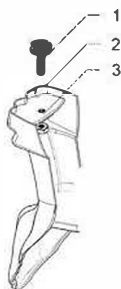
Modèles compatibles:

N-CFL1775-XX  
N-CFL11603-XX  
N-CFLK36572-XX  
N-CFL46572-XX  
N-CFL1912-XX

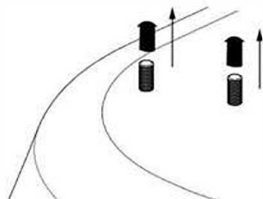
\* Fournis avec 3 plaques métalliques



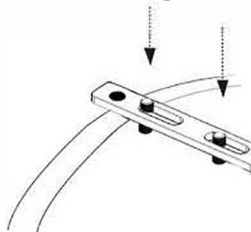
1. Prenez un pied ajustable (pièce #1) et placez le dans le trou du pied fixe (pièce #3). Fixez le pied ajustable en utilisant le boulon (pièce #2) sur la partie visse du pied ajustable. Serrez le boulon.



2. Retirez les capuchons de sécurité des boulons sur la baignoire.

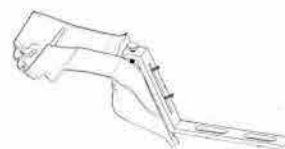


3. Prenez la barre métallique (pièce #7) et placez là sur les boulons de la baignoire, en vous assurant que le bout de la barre qui porte un trou unique est vers l'extérieur de la baignoire.

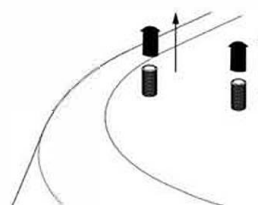


Modèles compatibles:

N-CFL11601-XX



1. Retirez les capuchons de sécurité des boulons sur la baignoire.



2. Prenez un pied ajustable (pièce #1) et placez le dans le trou du pied fixe (pièce #3). Fixez le pied ajustable en utilisant le boulon (pièce #2) sur la partie visse du pied ajustable. Serrez le boulon.



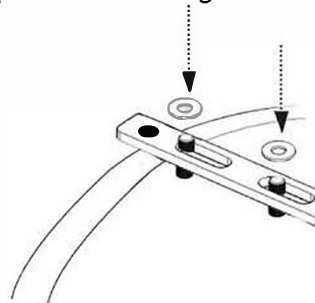
3. Prenez une visse (pièce #4) et un boulon avec bague (pièce #6) and vissez le boulon et la bague à environ 1/4 sur la visse. Faites de même pour le deuxième.



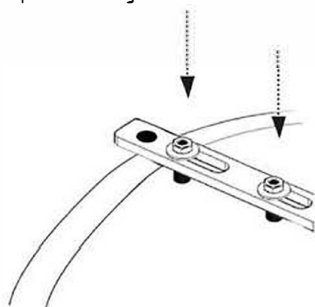
\*\*XX REPRÉSENTE LES DIFFÉRENTES COULEURS DES OBJETS

# INSTALLATION DE LA BAIGNOIRE

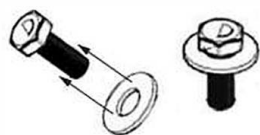
4. Prenez 2 bagues (pièce #6) et placez une bague sur chaque visse de la baignoire.



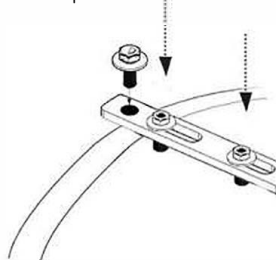
5. Prenez 2 boulons (pièce #2) et placez un boulon sur chaque visse de la baignoire. Serrez, mais NE PAS serrer complètement, afin que la barre métallique puisse s'ajuster au mieux.



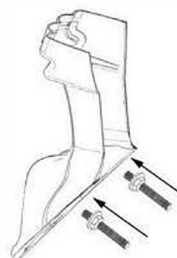
6. Prenez une visse hexagonale (pièce #4) et prenez 1 bague d'un diamètre large (pièce #5) et mettez la bague sur la visse. Voici ce à quoi ça devrait ressembler dans votre main :



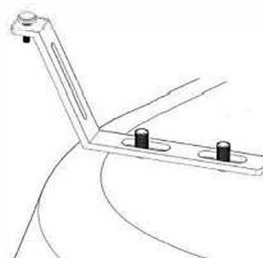
7. Serrez le boulon avec la bague sur la barre en métal mais ne pas serrer complètement. Laissez de la place pour le pied.



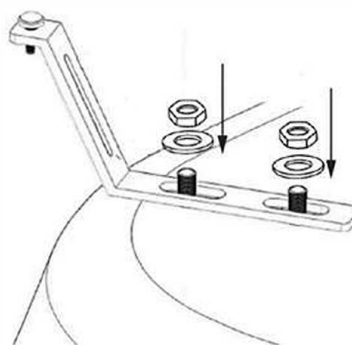
4. Prenez le boulon et bague et vissez les dans le pied comme sur le dessin ci-dessous. Assurez-vous de serrer le boulon dans le pied avec la clé hexagonale fournie.



5. Placez la barre métallique (pièce #2) sur les visses de la baignoire comme sur le dessin ci-dessous. Assurez-vous que la barre est bien en place sur les visses. Ceci vous aidera à placer le pied correctement.

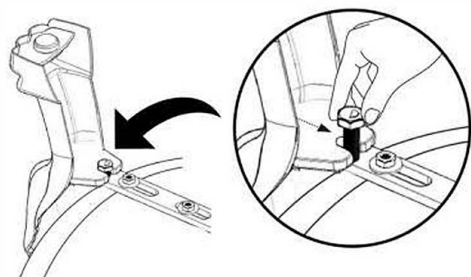


6. Prenez une bague (pièce #8) et placez-la sur la visse de la baignoire. Puis prenez un boulon (pièce #3) et placez-le sur la bague, mais ne pas serrer le boulon complètement. Répéter cette étape pour le second boulon.

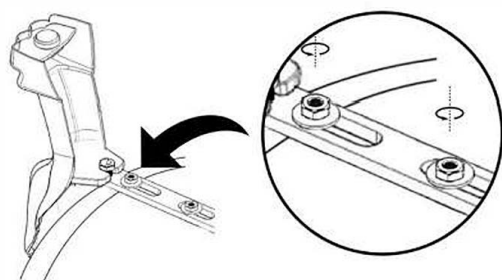


# INSTALLATION DE LA BAIGNOIRE

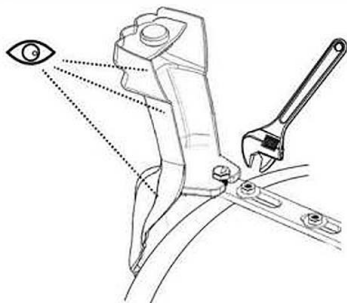
8. Soulevez la bague et insérez le pied dans l'espace, en vous assurant qu'il rentre sans forcer et qu'il épouse la forme de la baignoire.



9. Alignez et ajustez à votre préférence. Si nécessaire, la barre métallique peut être ajustée pour que le pied soit mieux positionné.

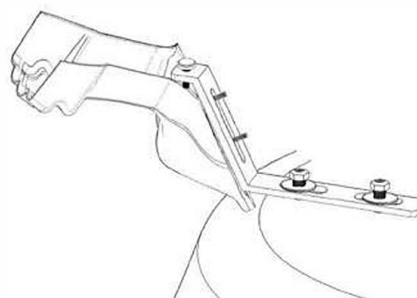


10. Une fois cela fait, serrez les boulons avec la clé à molette.

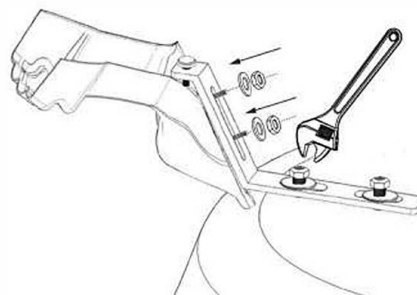


11. Répétez cette étape pour les trois autres pieds.

7. Prenez le pied (pièce #7) et alignez-le avec la baignoire, en vous assurant que les boulons du haut rentrent dans l'ouverture et s'installent correctement avec la baignoire et la barre métallique.



8. Prenez 1 bague (pièce #5) et placez-la sur la visse sur la barre en métal. Placez ensuite un boulon avec la bague (pièce #6) et vissez-le sur la visse. NE PAS serrer. Répétez l'étape pour le boulon d'en dessous. Assurez-vous que le pied épouse la forme de la baignoire. Une fois cela fait, utilisez la clé à molette pour serrer.

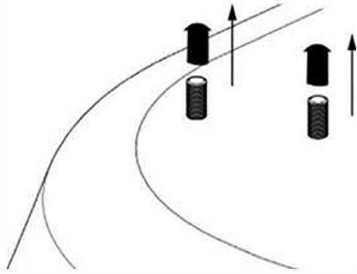


9. Répétez cette étape pour les trois autres pieds.

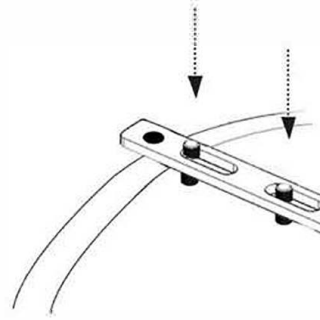
# LES INSTRUCTIONS CI-DESSOUS SONT POUR LE MODELE DE PIED SUIVANT, AVEC TROIS PLAQUES : N-CFL1912-XX

VEUILLEZ SUIVRE LES INSTRUCTIONS CI-DESSOUS POUR ATTACHER LA PLAQUE LA PLUS LONGUE.

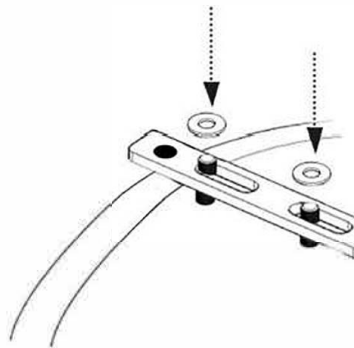
1. Retirez les capuchons de sécurité des boulons sur la baignoire.



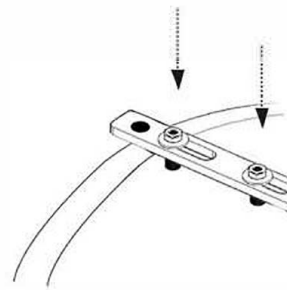
2. Placez la barre métallique sur les deux visser.



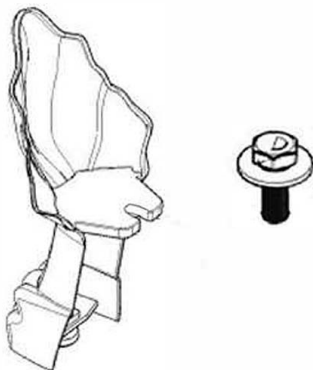
3. Prenez 2 bagues (pièce #6) et placez 1 sur les visser en métal.



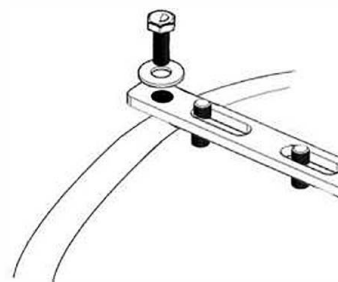
4. Prendre 2 boulons (pièce #2) et placez-les sur chaque visse. NE PAS visser entièrement car le pied pourrait bouger.



5. Prenez un boulon (pièce #4) et une bague (pièce #5) et un pied.



6. Prenez le boulon et la bague et placez-les dans le trou de la barre métallique. NE PAS le rentrer entièrement, car la visse bougera peut-être avec le pied et la plaque.

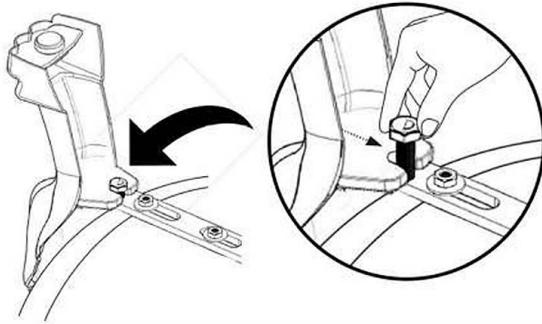


\*\*XX REPRÉSENTE LES DIFFÉRENTES COULEURS DES OBJETS

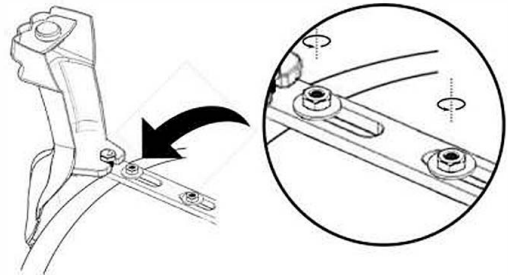
# LES INSTRUCTIONS CI-DESSOUS SONT POUR LE MODELE DE PIED SUIVANT, AVEC TROIS PLAQUES : N-CFL1912-XX

VEUILLEZ SUIVRE LES INSTRUCTIONS CI-DESSOUS POUR ATTACHER LA PLAQUE LA PLUS LONGUE.

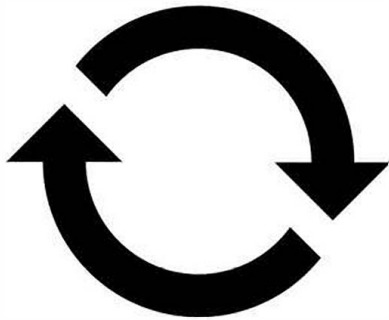
7. Prenez 1 pied, soulevez la bague et placez le pied. **NE PAS SERRER ENTIEREMENT.** Ajustez la position du pied si nécessaire pour qu'il épouse la forme de la baignoire.



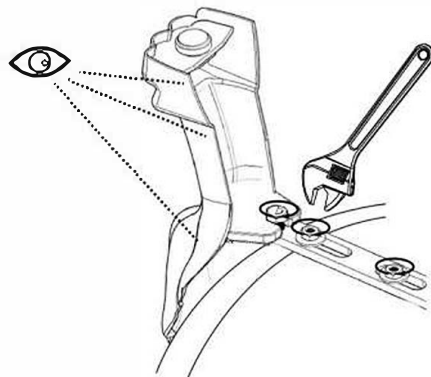
8. Si besoin, desserrer le boulon sur la plaque métallique pour pouvoir ajuster la position du pied. Pour fixer le pied correctement, la plaque en métal peut glisser et bouger, afin que la position du pied soit idéale avant de serrer les boulons.



9. Répétez l'étape pour le deuxième pied de l'autre côté.

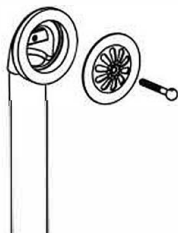


10. Une fois le pied est en position, serrer les boulons et vises.

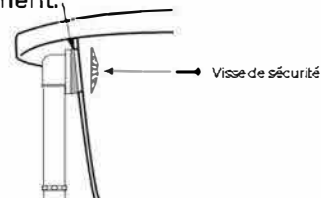


# LES INSTRUCTIONS CI-DESSOUS SONT POUR L'INSTALLATION ET L'ASSEMBLAGE DU DRAIN N-DWF-XX

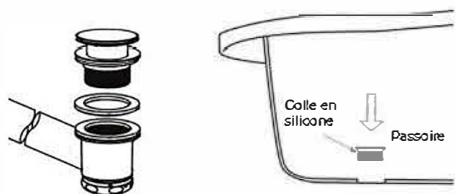
1. Prenez l'aune de débordement et dévissez la visse de sécurité pour retirer le bouchon de débordement également.



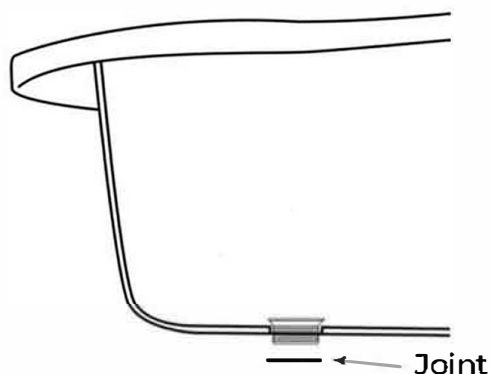
2. Prendre le joint en caoutchouc et l'aune de débordement et placez-les sur le trou de débordement dans le fond de la baignoire. Posez la visse de sécurité et le bouchon de débordement dans le trou de débordement et serrez fermement.



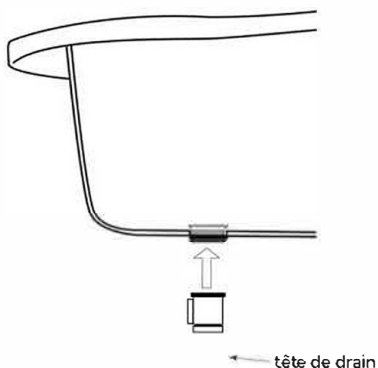
3. Retirez la passoire de l'emplacement du drain. Retirez le plus gros joint inférieur. Mettez-le de côté. NE PAS RETIRER LA PLUS PETIT PASSOIRE. Mettre la passoire dans le trou du drain de la baignoire. Utilisez du joint silicone pour sceller la zone et vous assurer qu'il n'y ait pas de fuites. NE PAS utiliser du mastic de plomberie.



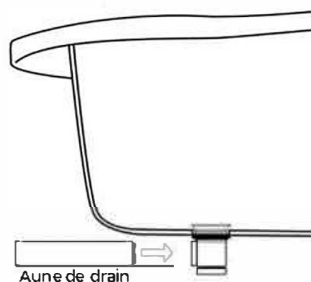
4. Prendre le joint inférieur que vous avez mis de côté et l'attacher à la passoire par le dessous.



5. Vissez la tête du drain sous le drain, en vous assurant que l'ouverture soit vers l'extérieur et aligné avec le trou d'évacuation.

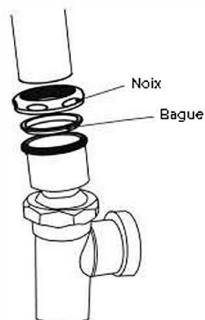


6. Insérer l'aune de drain dans la tête du drain et serrer. Utiliser un scotch de plomberie si nécessaire au niveau du joint pour éviter les fuites. Optionnel.

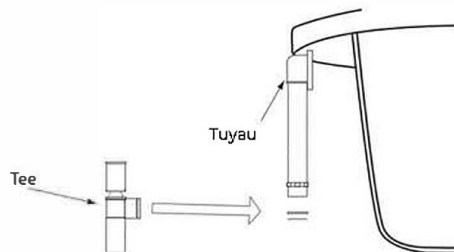


# LES INSTRUCTIONS CI-DESSOUS SONT POUR L'INSTALLATION ET L'ASSEMBLAGE DU DRAIN N-DWF-XX

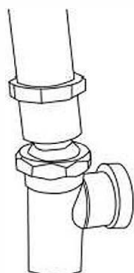
7. Retirer la bague de jointure et le boulon sur la tête à l'emplacement de la boule.



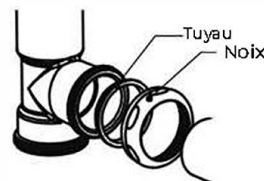
8. Connectez la tête du joint à l'aune de débordement avec la bague et le boulon. Serrez fermement pour éviter toute fuite.



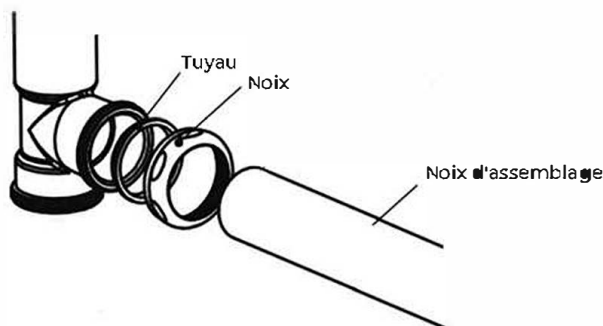
9. Utiliser la boule et le joint pour ajuster l'angle afin que l'installation soit optimale.



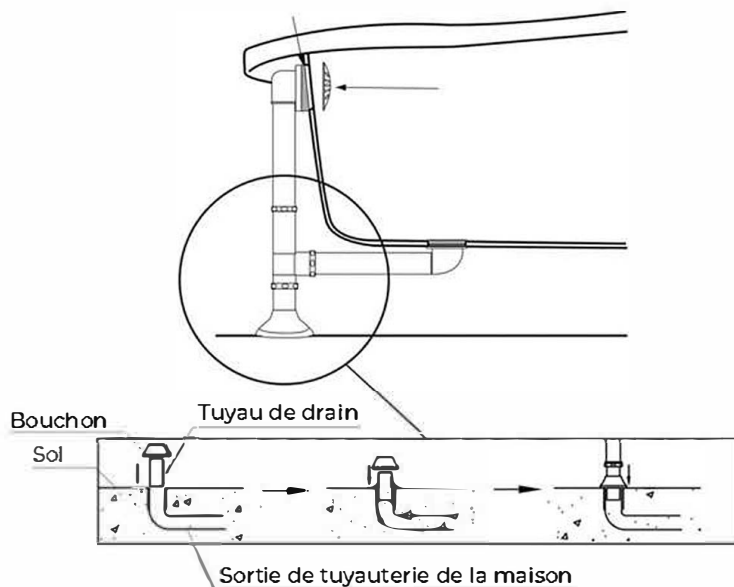
10. Retirer la bague et le boulon du côté gauche de la tête de drain.



11. Connectez l'aune de drain avec le côté gauche de la tête de drain en utilisant le boulon et la bague. Serrez fermement pour éviter toute fuite.

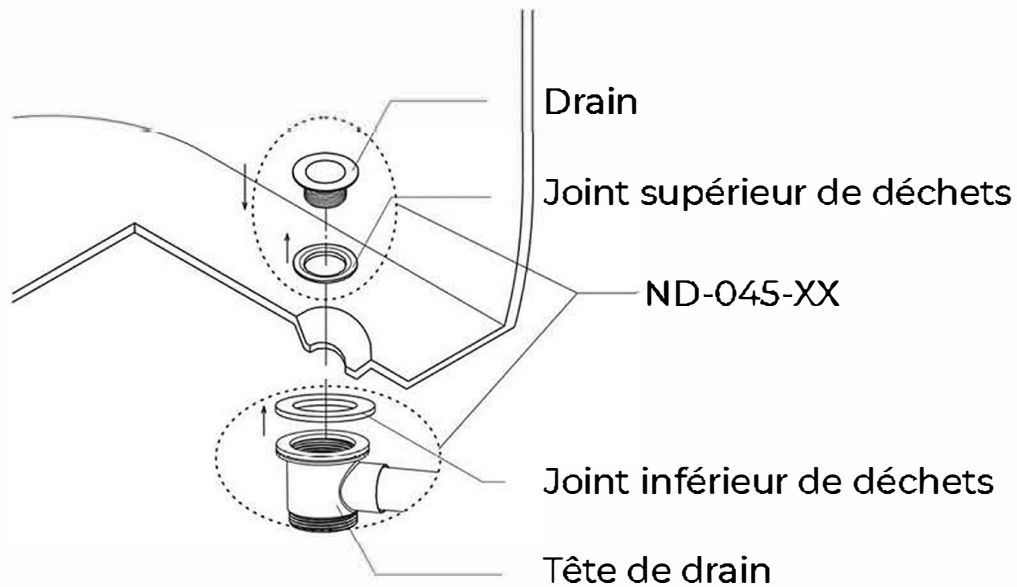


**12.** Attacher la bride à la base du drain externe et attacher le drain au trop d'évacuation de la maison.



**13.** Avant de finaliser l'installation, assurez-vous que les connexions du drain soient bien en place et remplissez la baignoire avec un peu d'eau pour vous assurer que tout soit scellé et qu'il n'y a pas de suites.

# LES INSTRUCTIONS CI-DESSOUS SONT POUR L'INSTALLATION ET L'ASSEMBLAGE DU DRAIN ND-045-XX



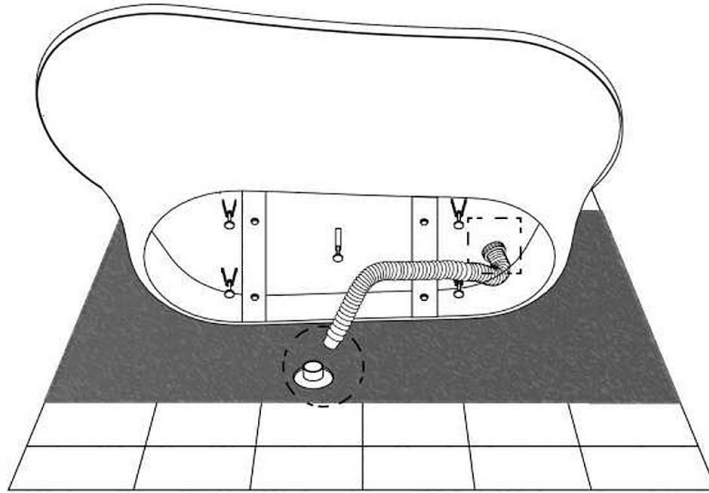
1. Dévisser la passoire de la tête de drain.
2. Retirer le plus grand joint en caoutchouc. NE PAS RETIRER LE PETIT JOINT INFÉRIEUR.
3. Placez la passoire dans le trou de la baignoire. Utiliser le silicone pour sceller la connexion. NE PAS utiliser du mastic de plomberie.
4. Prenez le joint inférieur que vous aviez retiré et le rattacher à la passoire par en-dessous.
5. Attachez la tête de drain à la passoire. Serrer avec une clé à molette si besoin.

\*\*XX REPRÉSENTE LES DIFFÉRENTES COULEURS DES OBJETS

# LES INSTRUCTIONS CI-DESSOUS SONT POUR L'INSTALLATION ET L'ASSEMBLAGE DU DRAIN ND-045-XX

---

6. Attachez le drain flexible au trou d'évacuation dans le sol.



7. Veuillez noter que le drain flexible est un outil basique que nous fournissons pour s'adapter à la plomberie de votre maison. Chaque maison est différente, consultez un plombier certifié pour vous assurer que la tuyauterie de votre maison est compatible avec le drain flexible.

8. Sceller les connexions avec du scellant PVC pour tout sécuriser.

