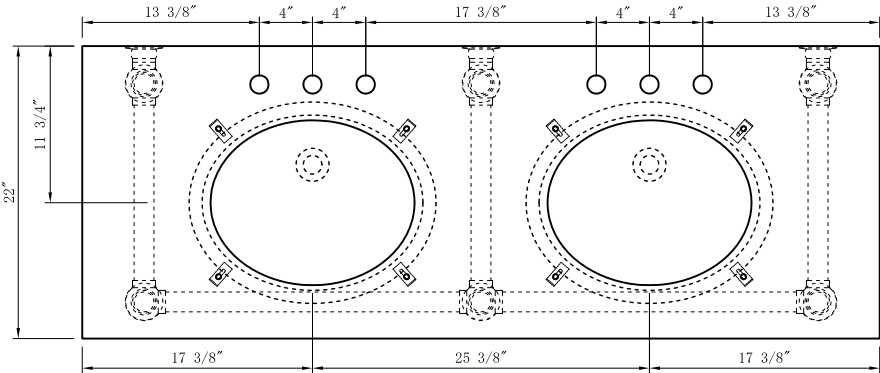
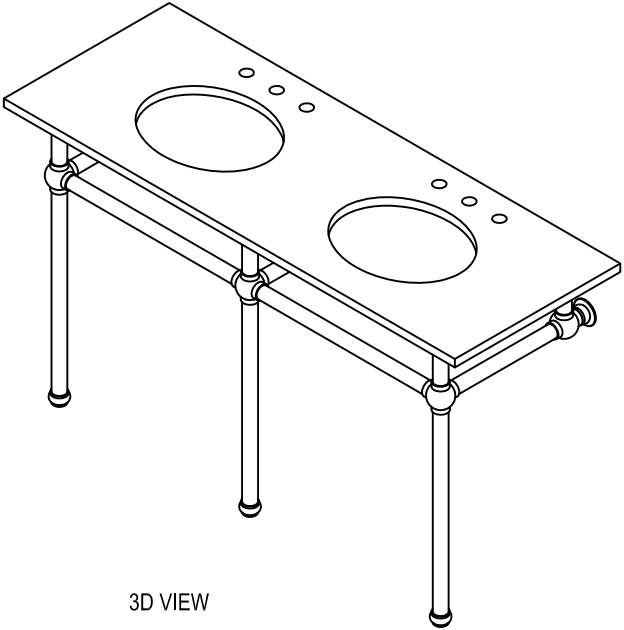


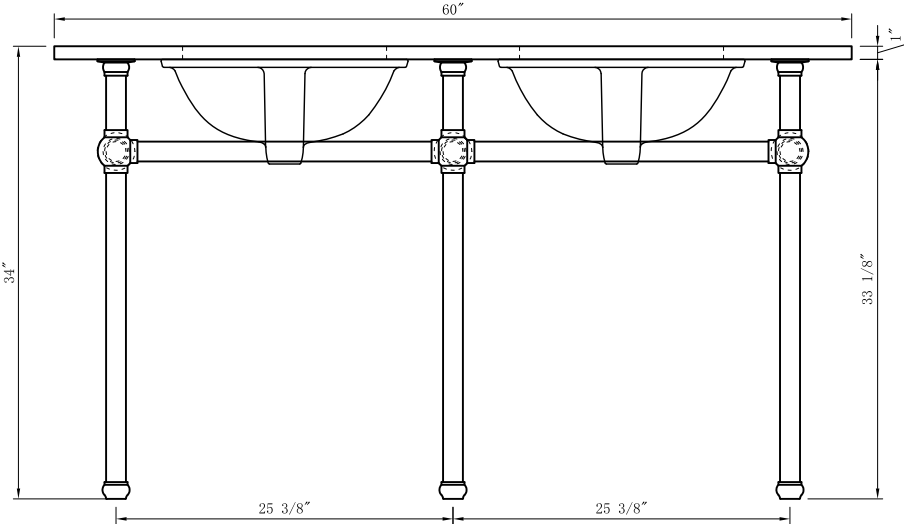
# Dimensions



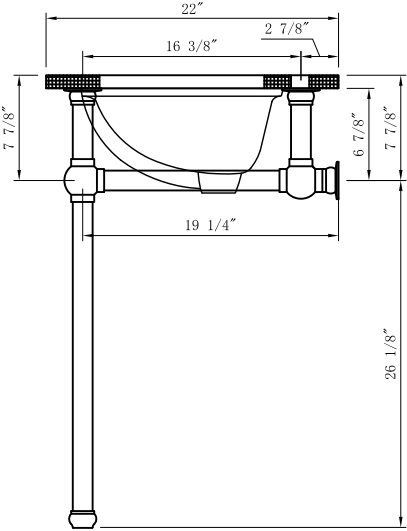
TOP VIEW



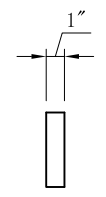
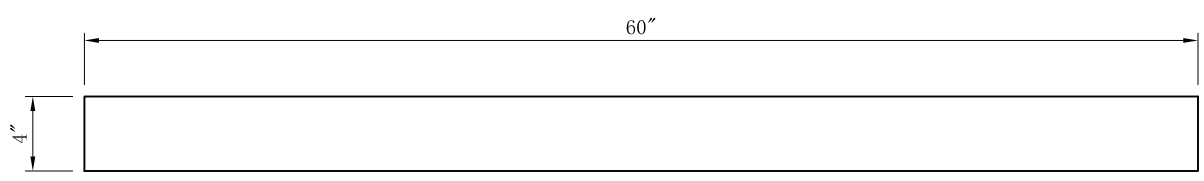
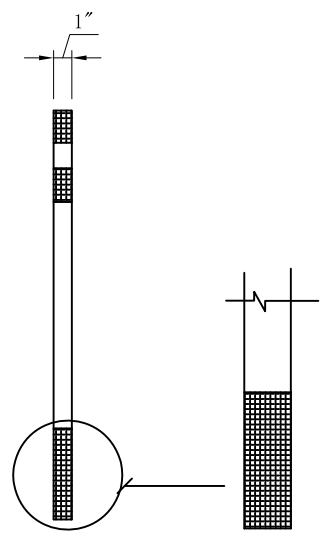
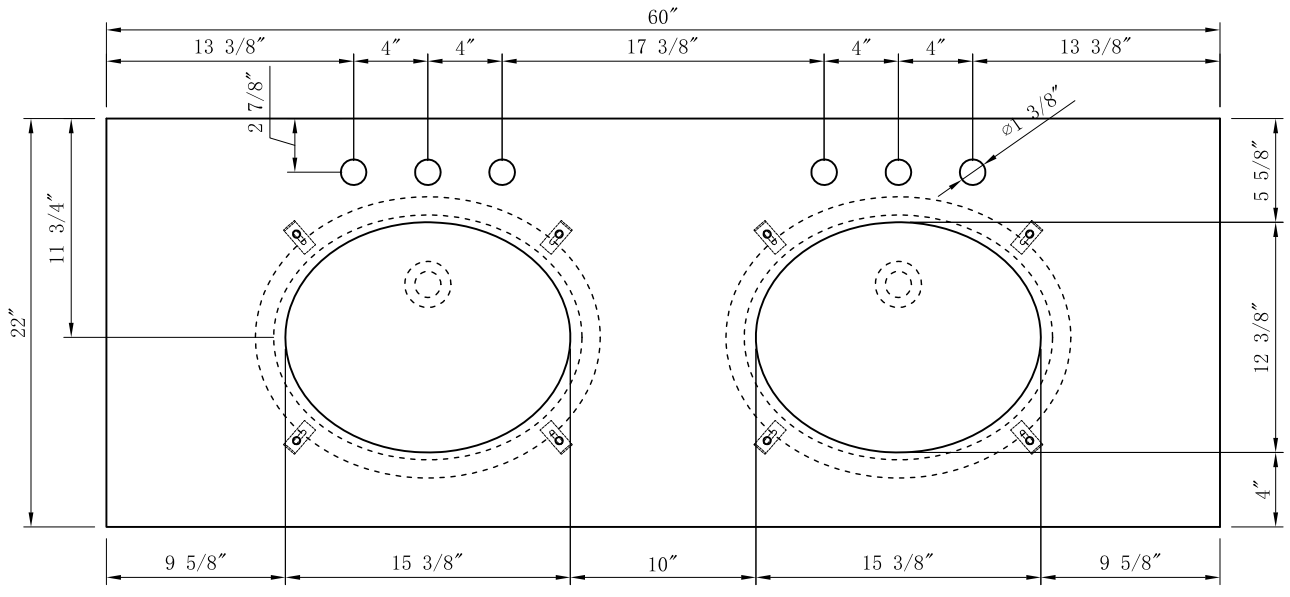
3D VIEW

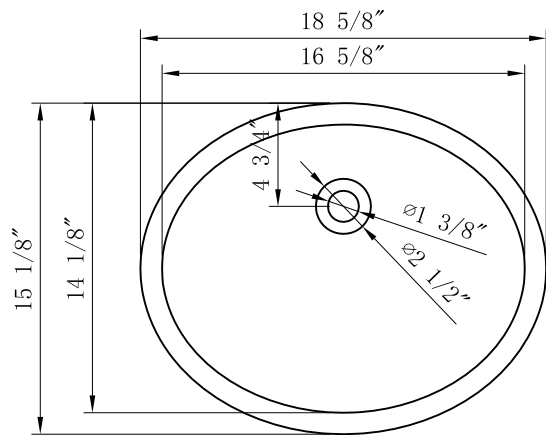


FRONT VIEW

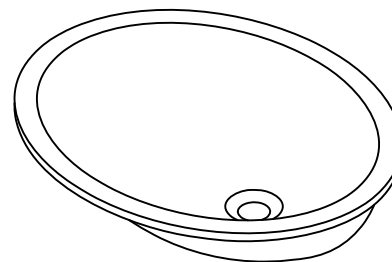


SIDE VIEW

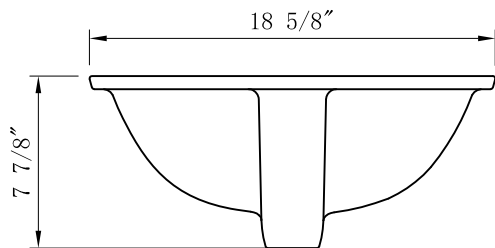




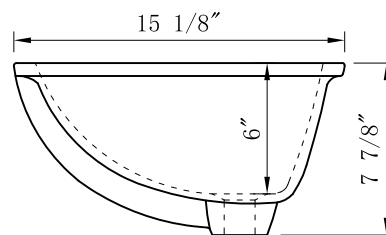
TOP VIEW



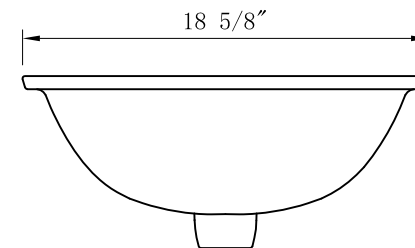
3D VIEW



FRONT VIEW



SIDE VIEW



BACK VIEW

