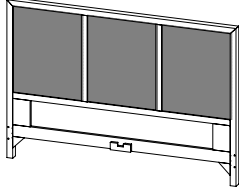
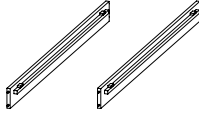


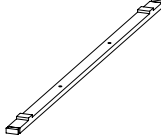
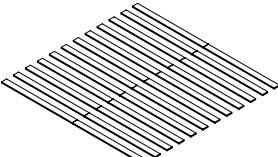


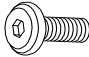
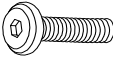

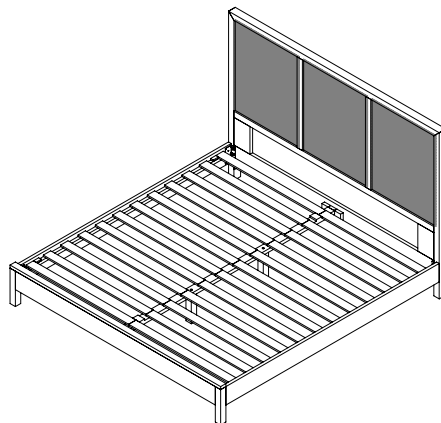


ASSEMBLY INSTRUCTIONS

PARTS LIST

| | | | | | |
|---|-----------------------|---|---|--|--|
| A | HEADBOARD x 1 |  | <p>Before Beginning</p> <ol style="list-style-type: none"> 1 - Carefully unpack and position the item on a clean, non-marring surface to assemble. 2 - Read this Assembly Instructions from beginning to end before starting to assemble. 3 - Take an inventory of the required parts to ensure all are available. 4 - To prevent accidental choking hazards, keep all packing materials away from small children. 5 - Only tighten hardware until ALL hardware are fully engaged on their locations. Overtighten bolts will damage the bolt threads. 6 - Use only factory provided hardware to assemble. Unapproved hardware can damage product or jeopardize the structural integrity of the product. 7 - The use of power tool to assemble is not recommended due to high risk of over-torque, which can damage the product. | | |
| B | SIDERAIL x 2 |  | | | |
| C | FOOTBOARD x 1 |  | | | |
| D | CENTER LEG x 2 |  | | | |
| E | CENTER SUPPORT x 1 |  | | | |
| F | SLATES x 24 |  | | | |

| | | | | | |
|---------------|---|---|---|--|---|
| Z HARDWARE | <p>Z1</p>  <p>Ø12 x Ø10MM x 14</p> | <p>Z2</p>  <p>Ø22 x Ø10MM x 14</p> | <p>Z3</p>  <p>M6 x 25MM x 12</p> | <p>Z4</p>  <p>M6 x 40MM x 2</p> | <p>Z5</p>  <p>M4 x 110MM x 1</p> |
|---------------|---|---|---|--|---|



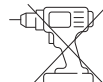
TWO PEOPLE



30-MINUTE
ASSEMBLY TIME

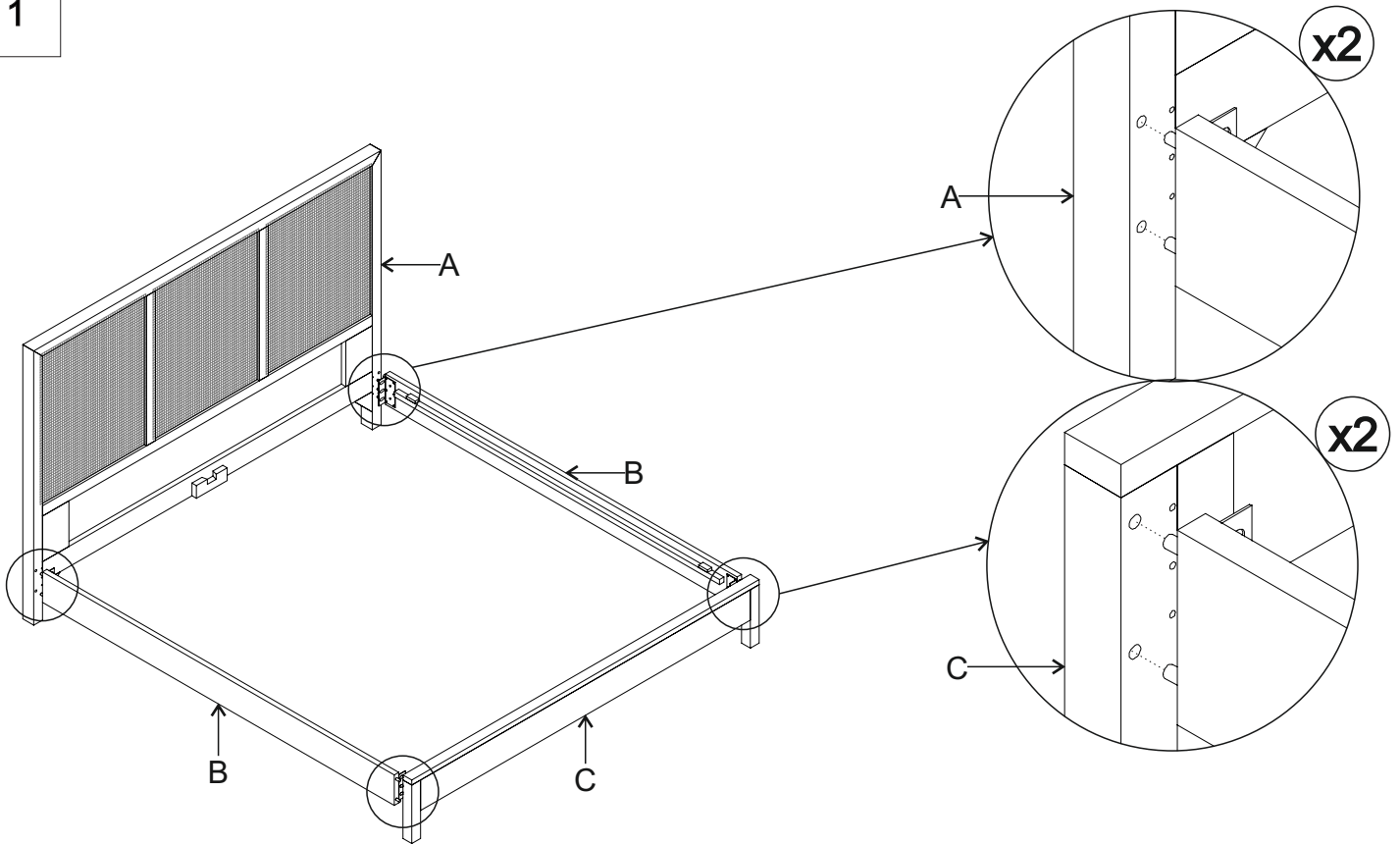


KEEP INSTRUCTIONS
FOR FUTURE USE

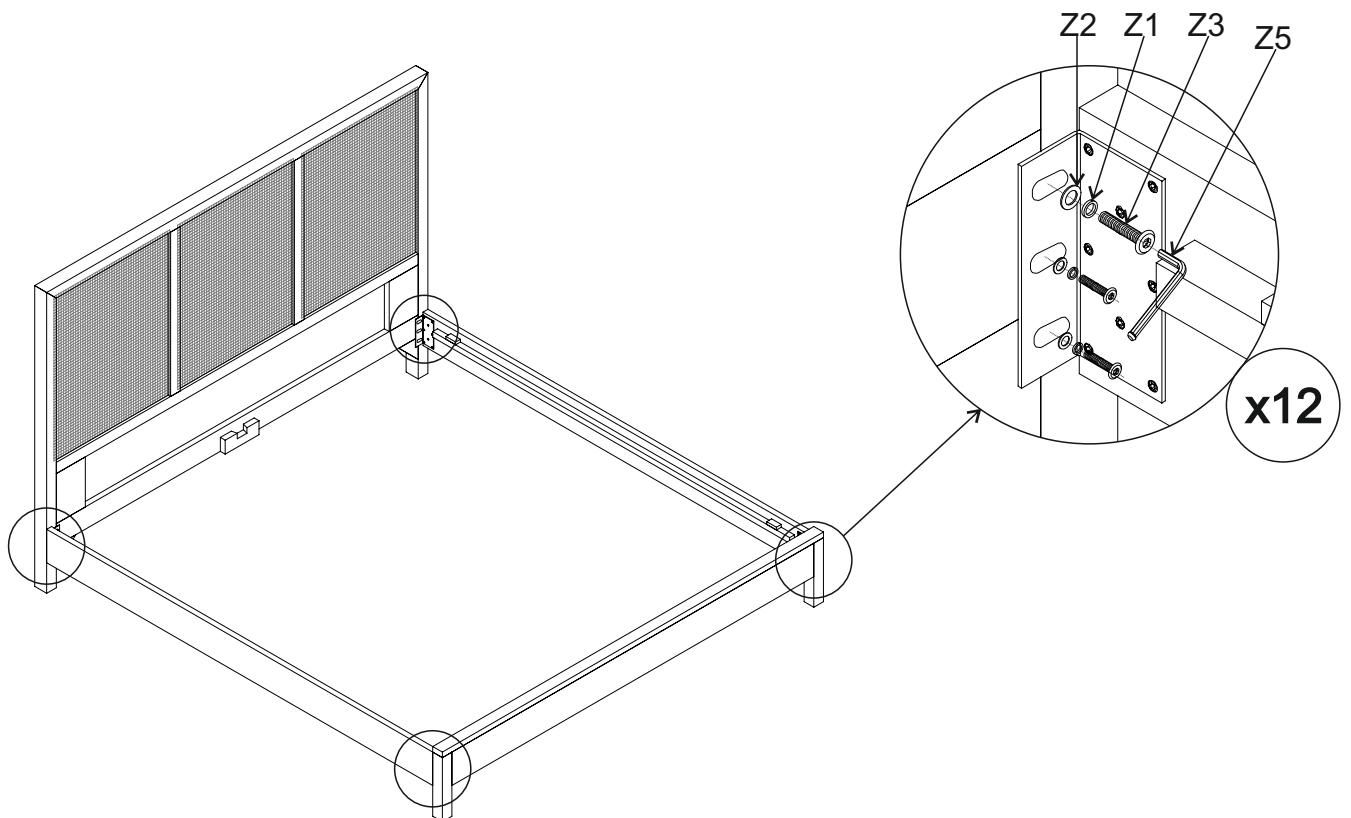


ASSEMBLY INSTRUCTIONS

1

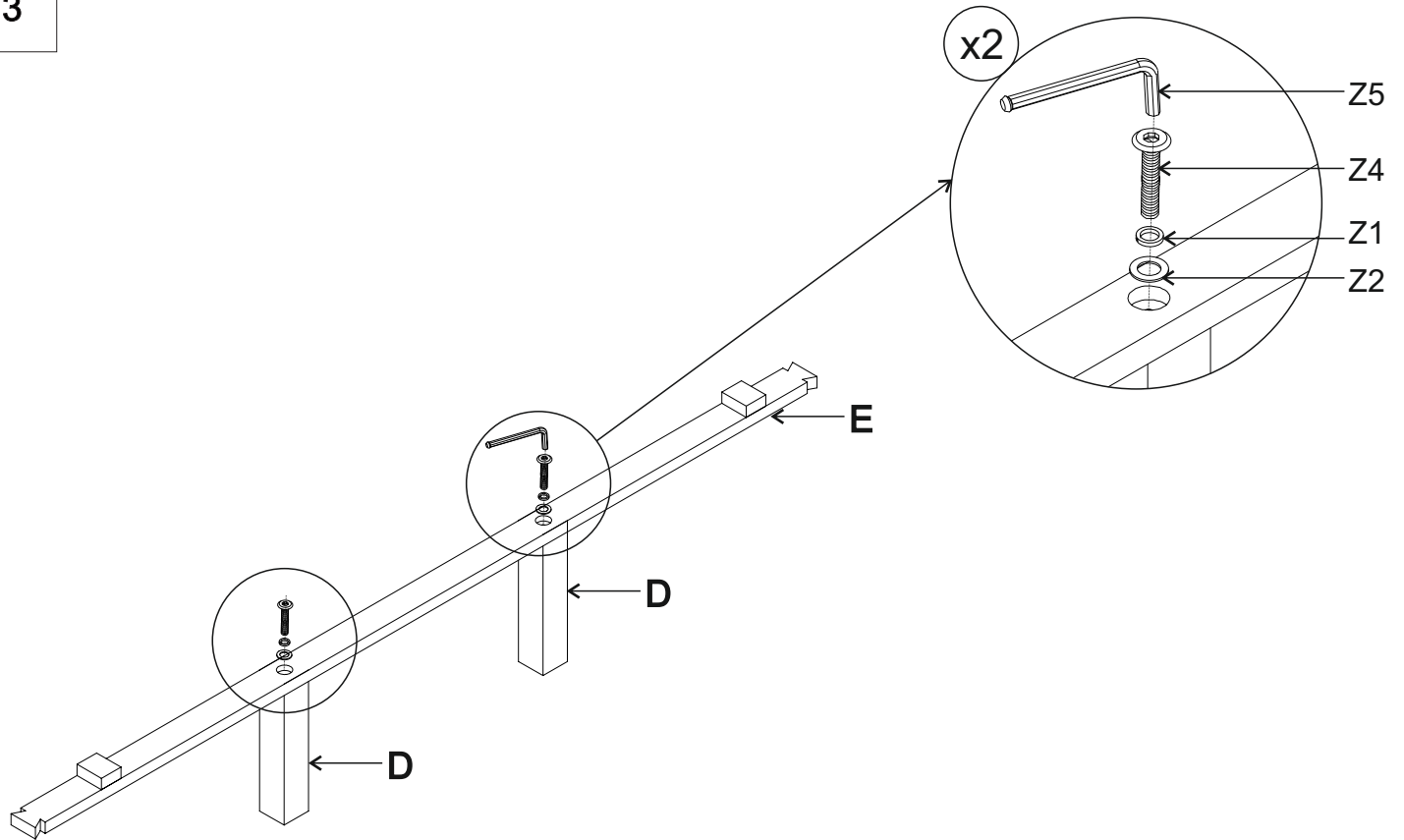


2

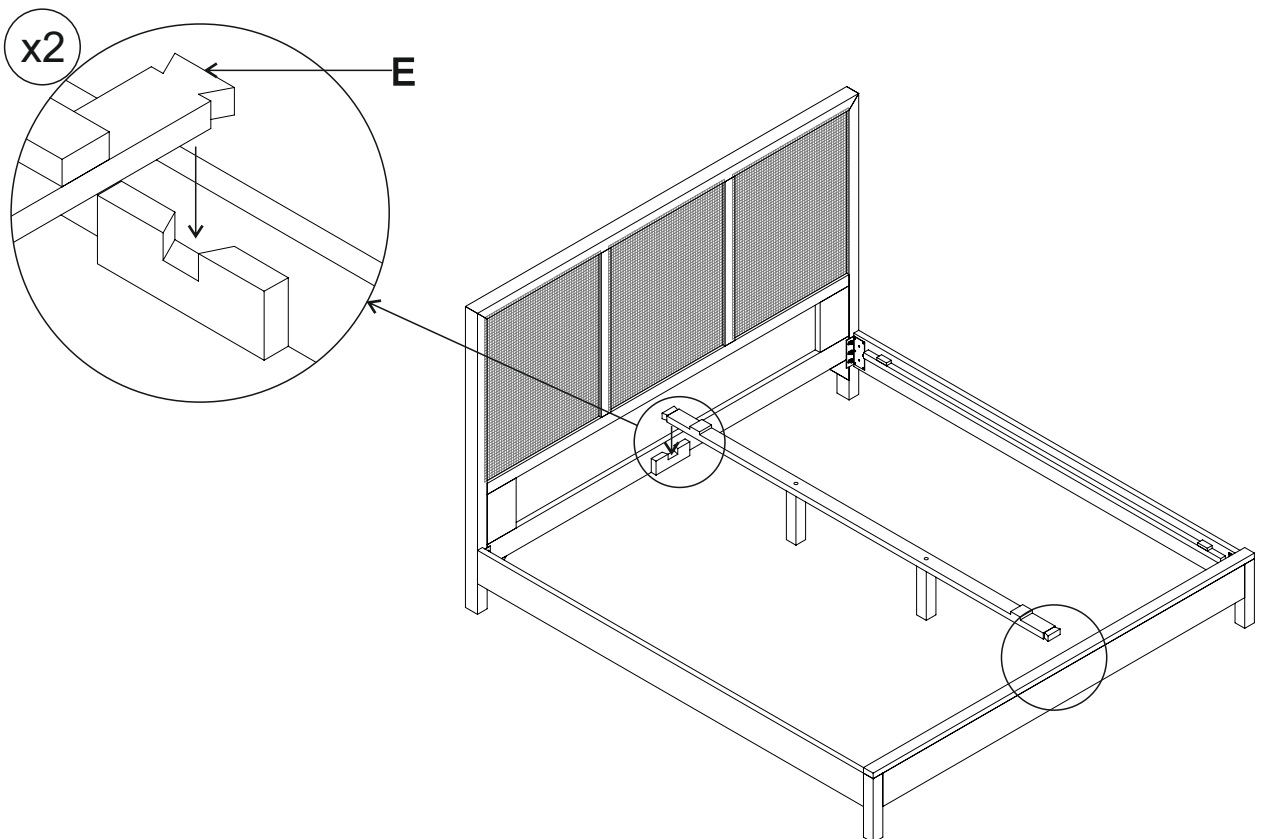


ASSEMBLY INSTRUCTIONS

3

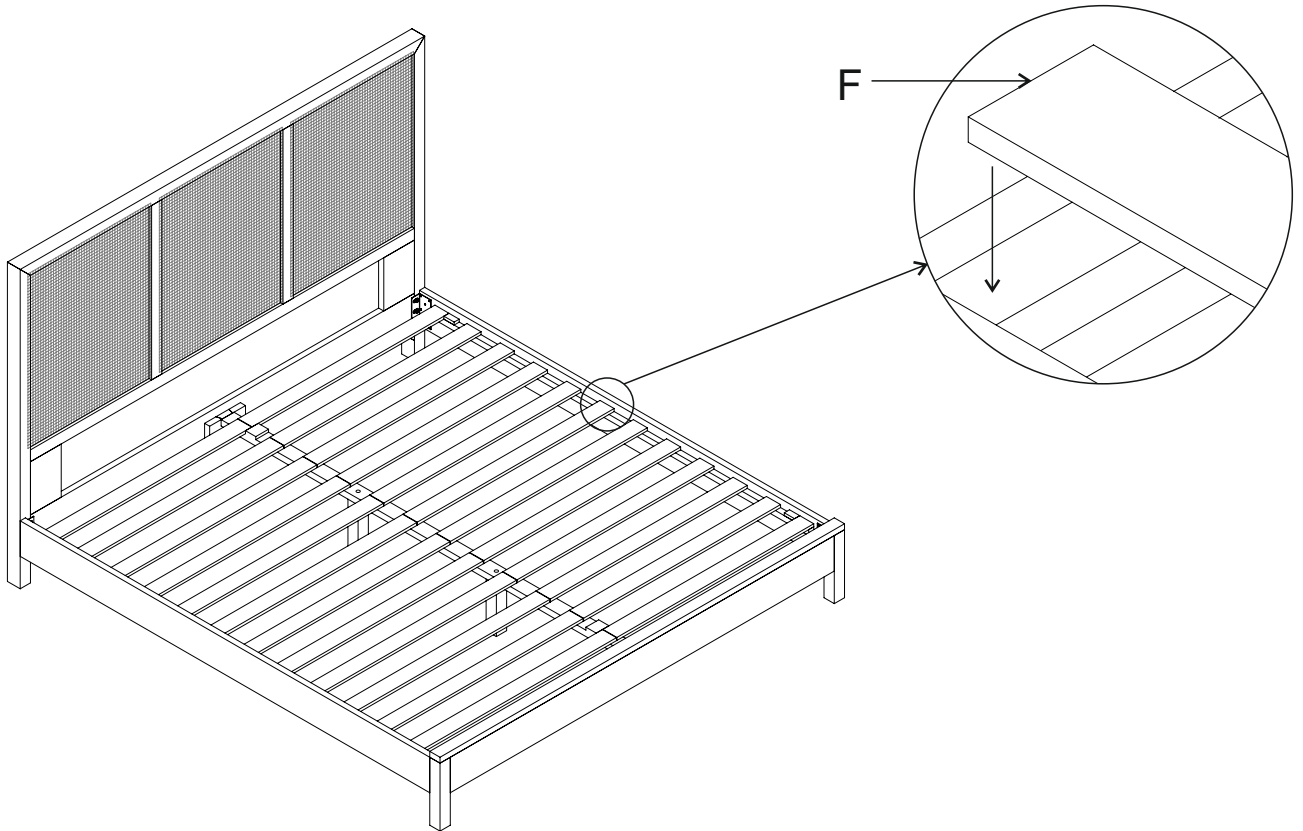


4



ASSEMBLY INSTRUCTIONS

5



6

