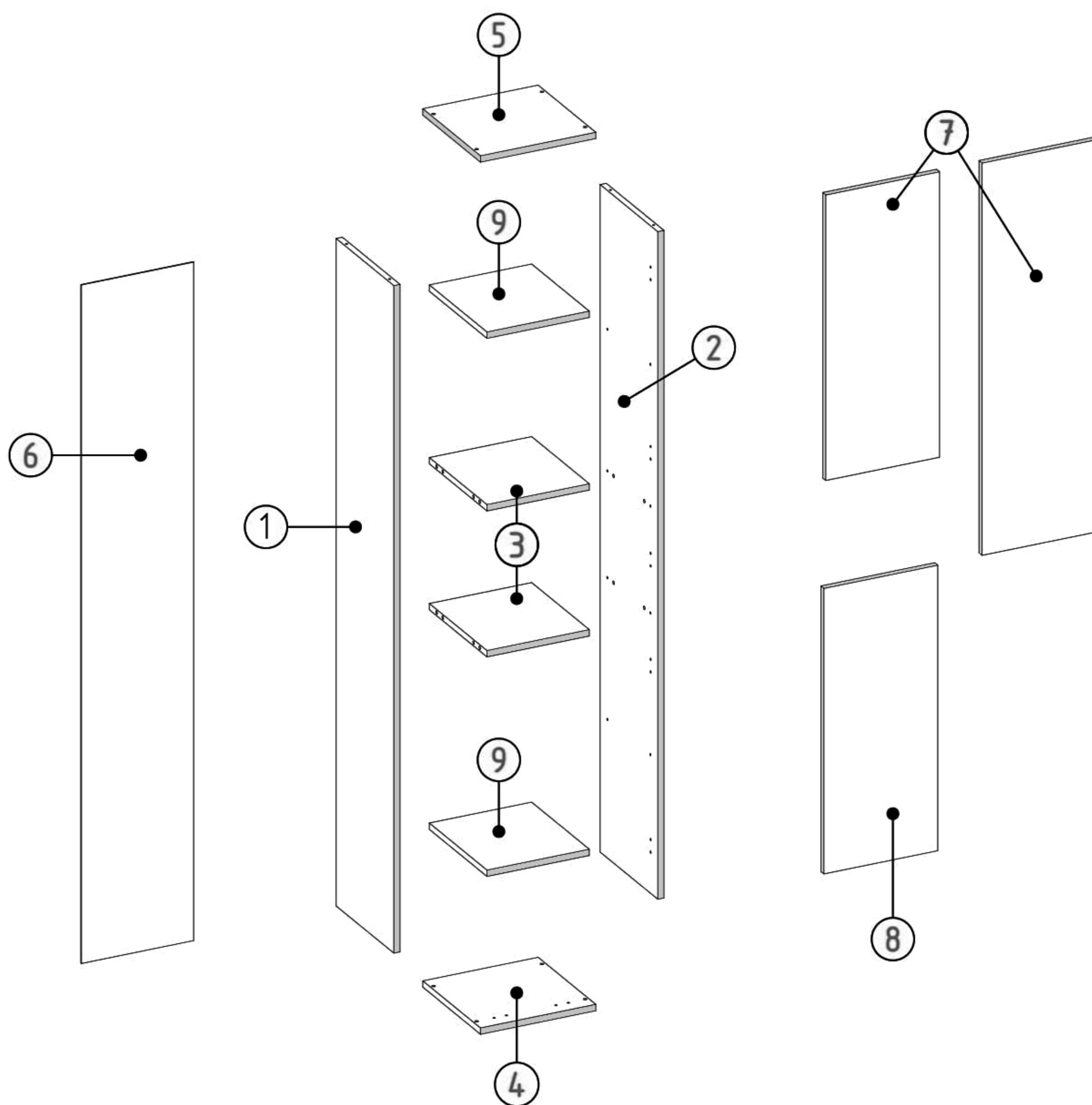
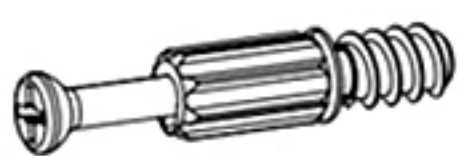

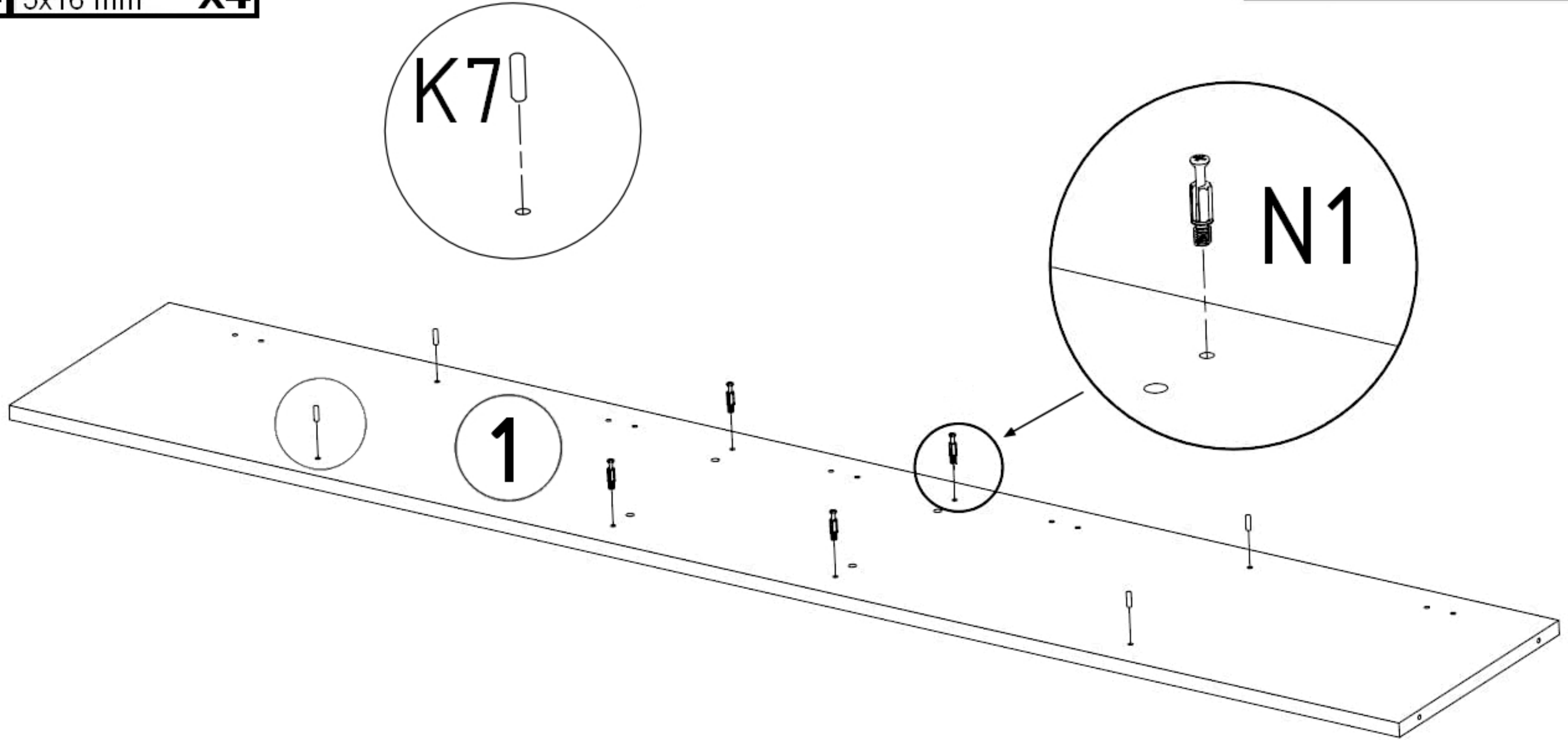
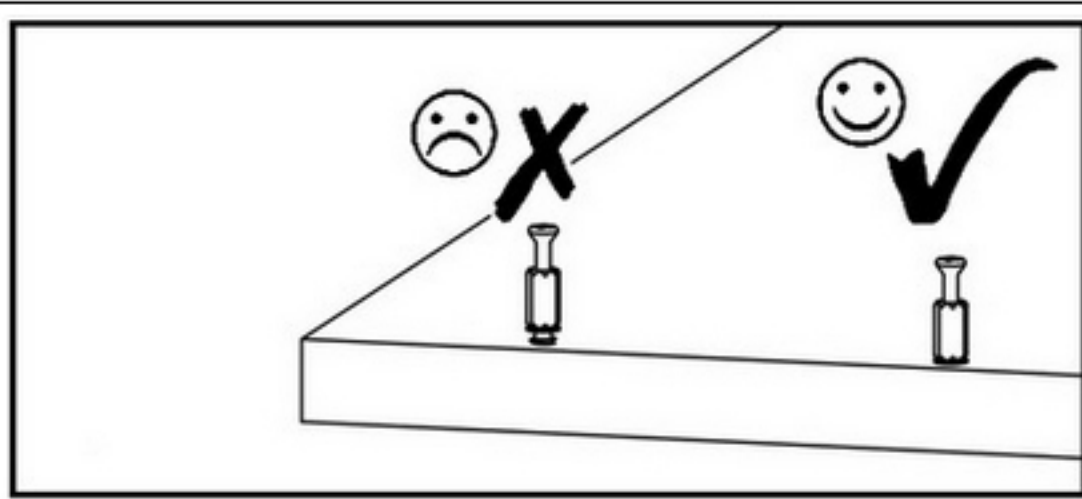


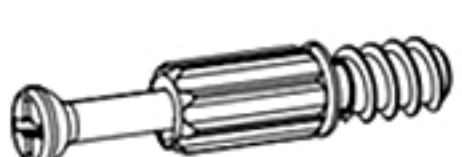

N1 L=35 mm x8	M1 12x15 mm x8	A1 ZP x4	S1 3,5x16 mm x8	E1 8x30 mm x8	V13 x 1	
Z1 x80	F1 7x50 mm x8	S11 4x30mm x4	K3 x1	K7 5x16 mm x8	U1 L=190/160 x2	T1 x4

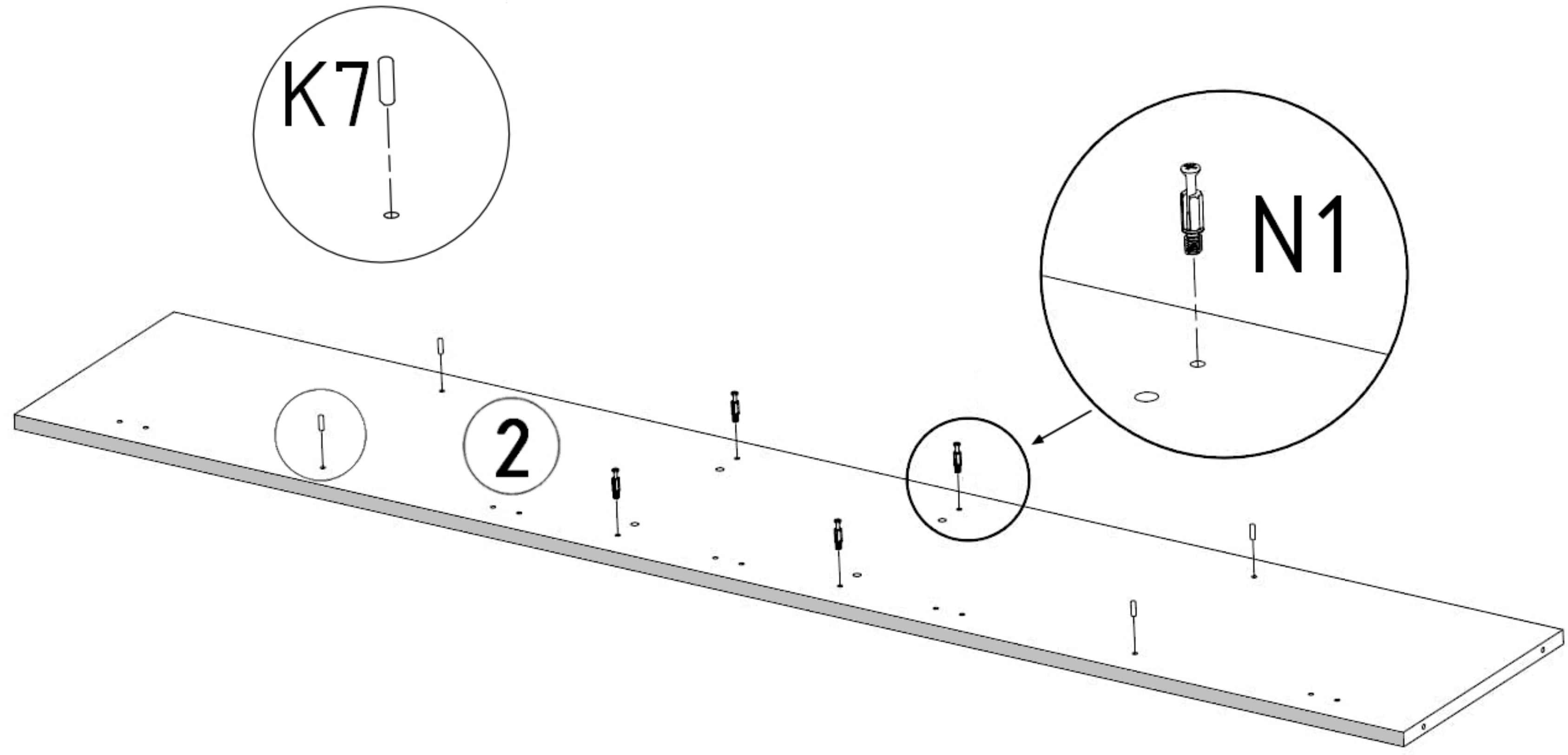
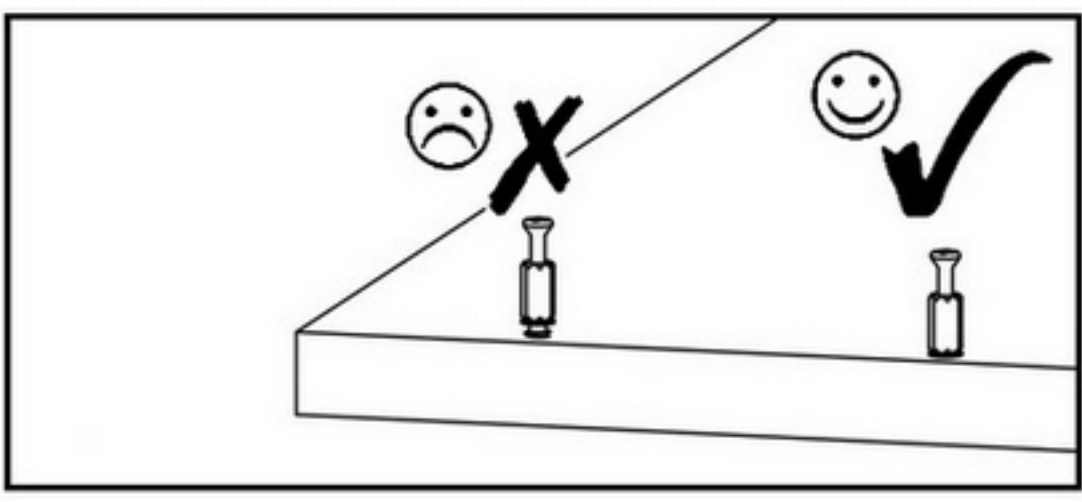


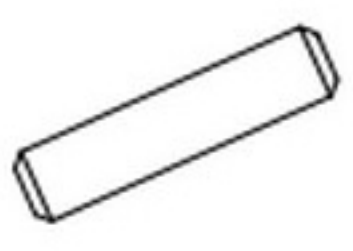

1	x	1
2	x	1
3	x	2
4	x	1
5	x	1
6	x	1
7	x	1
8	x	1
9	x	2

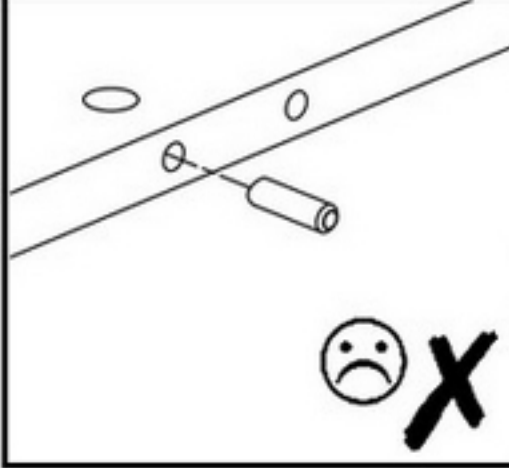
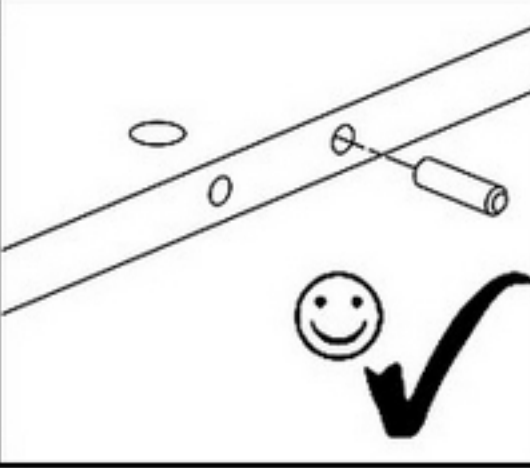
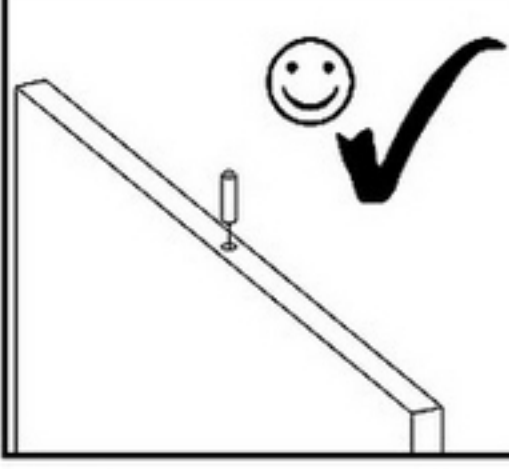
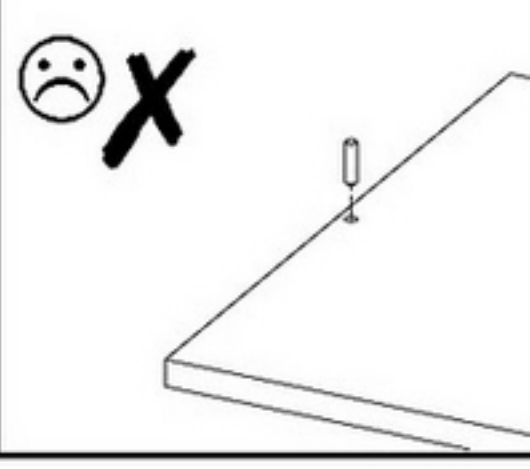
N1  L=35 mm x4	K7  5x16 mm x4
--	---

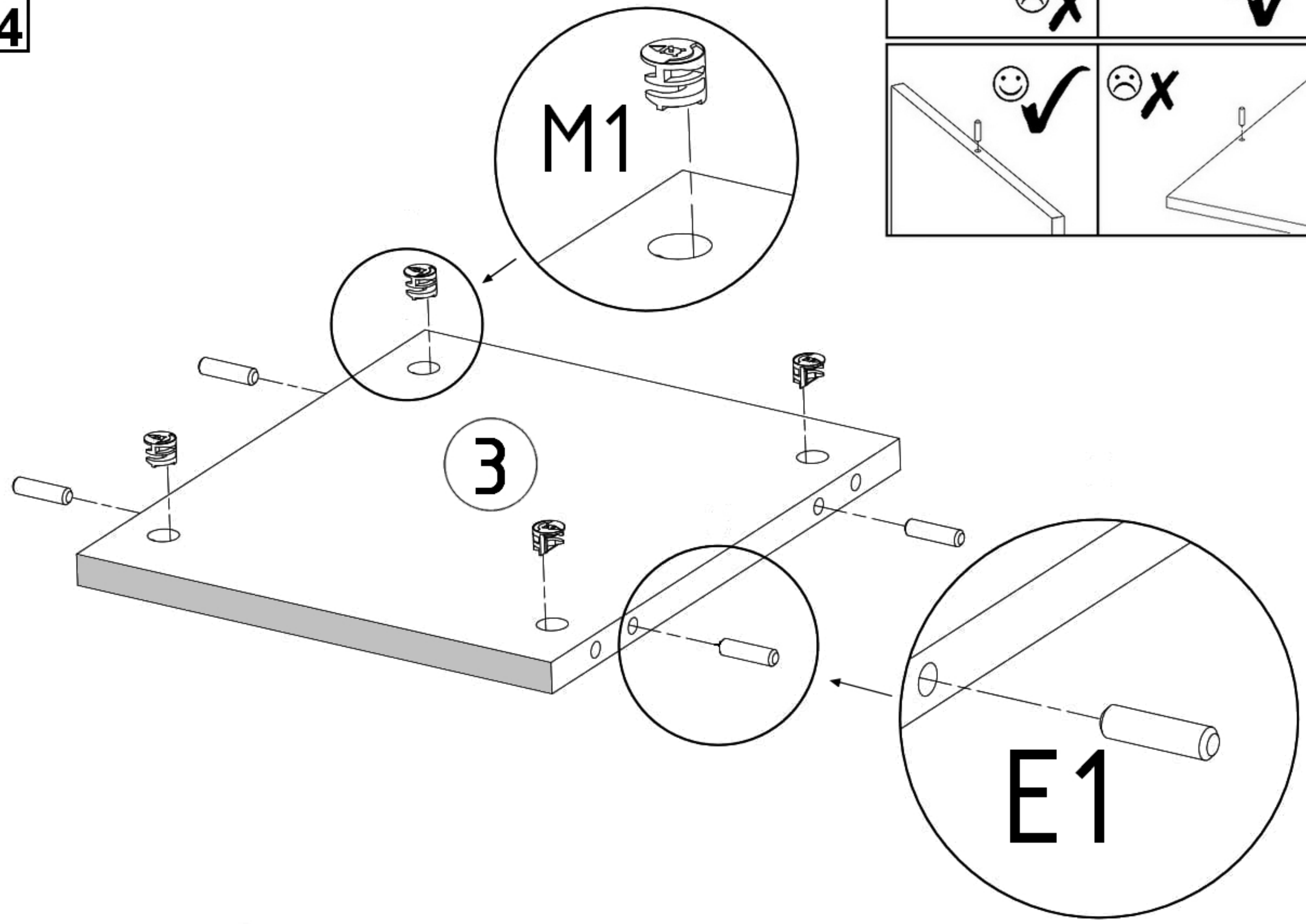


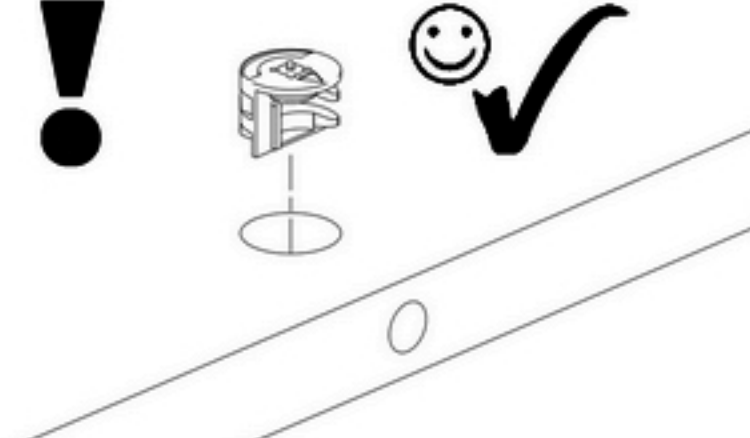
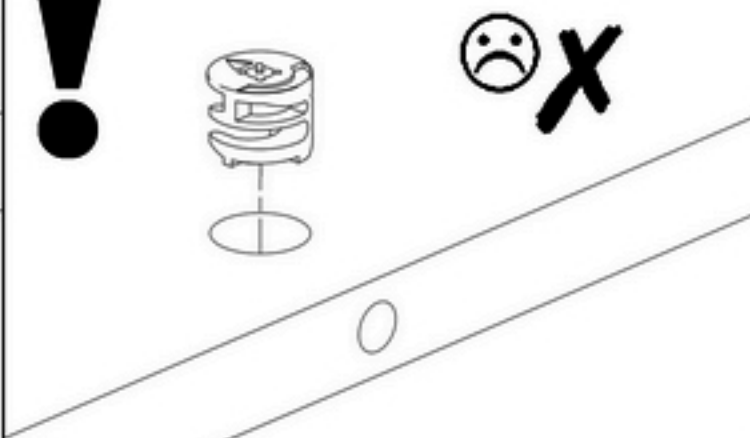
N1  L=35 mm x4	K7  5x16 mm x4
--	---



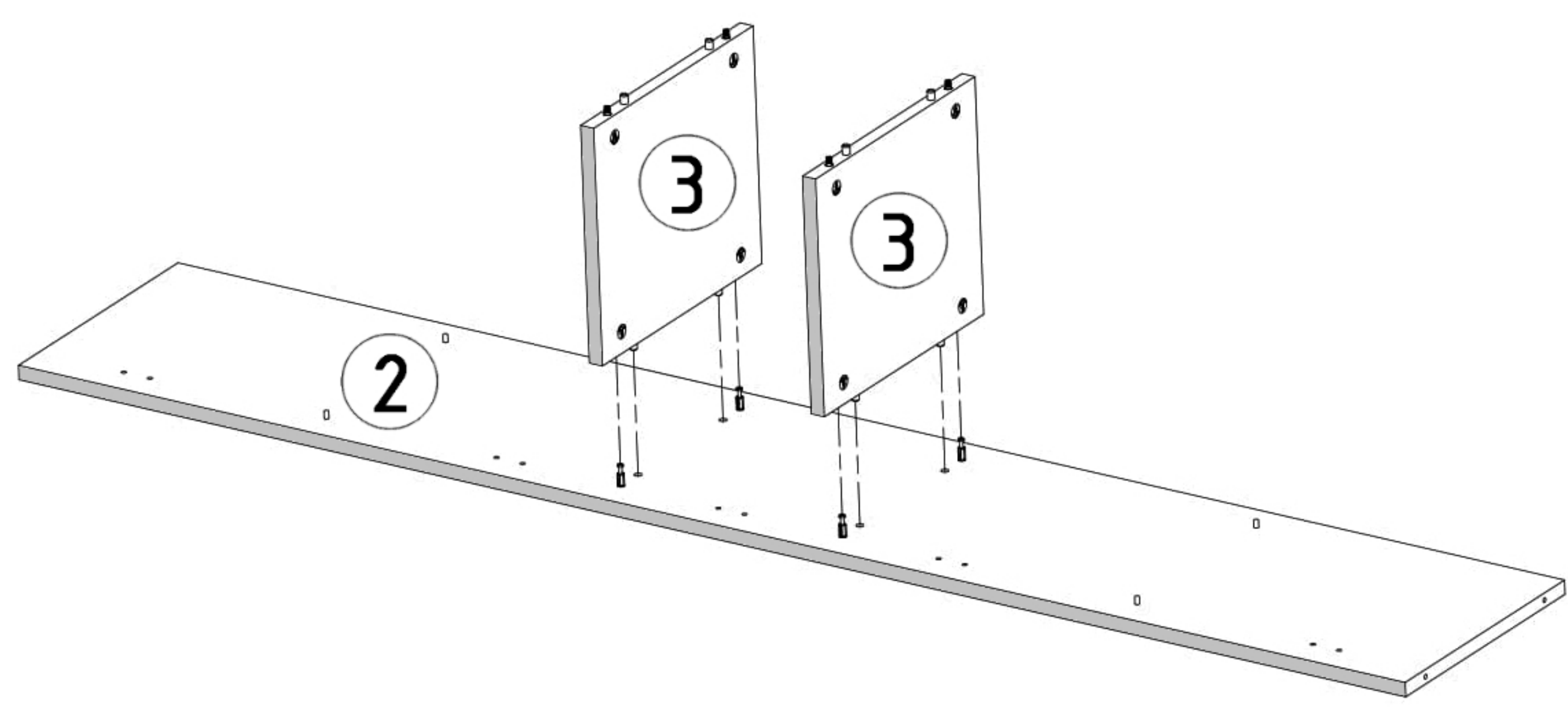
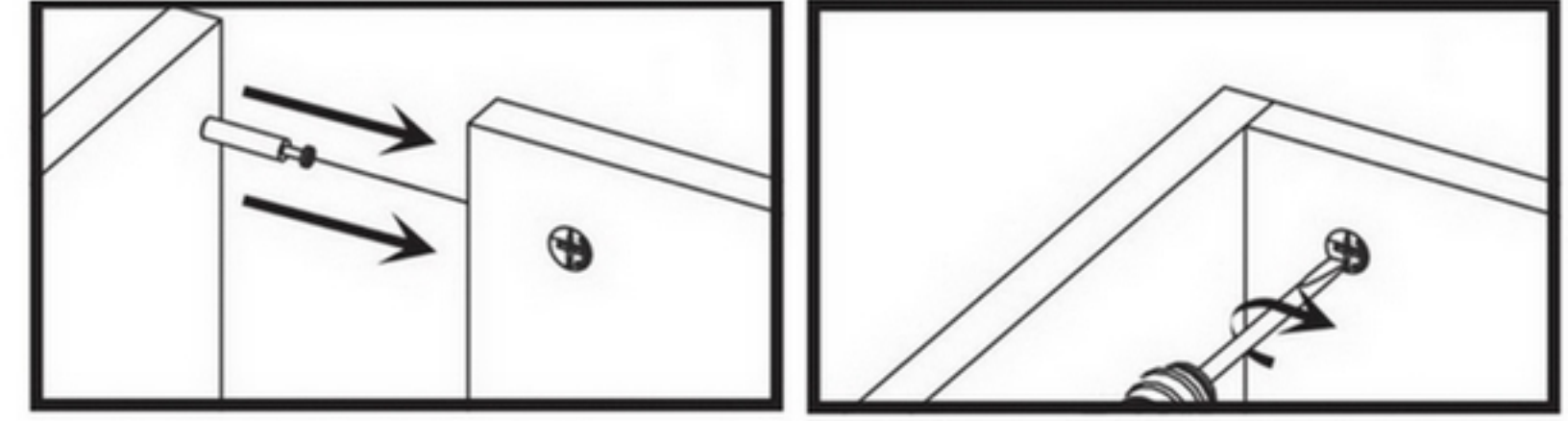
E1  8x30 mm x4	M1  12x15 mm x4
--	--

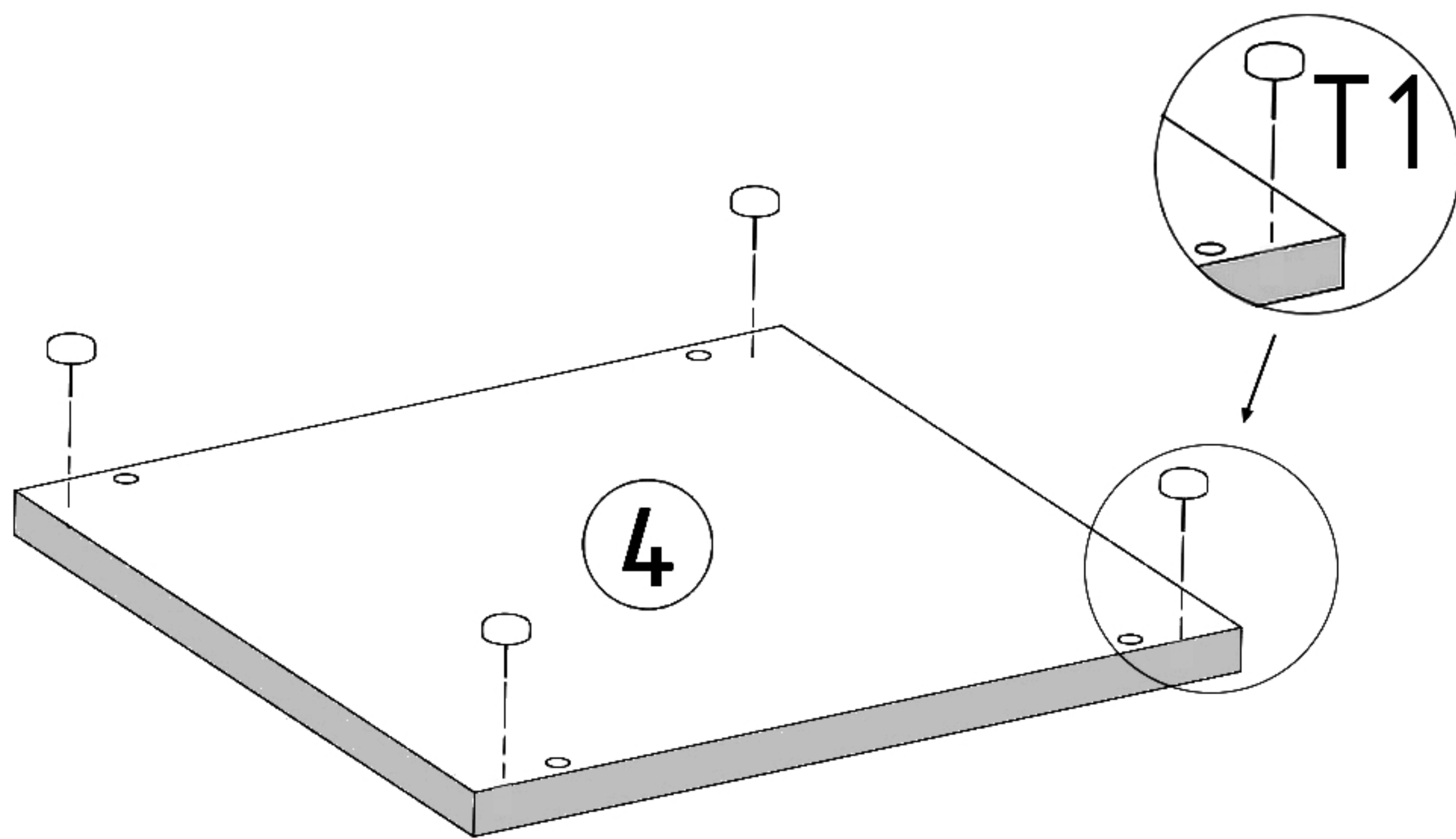
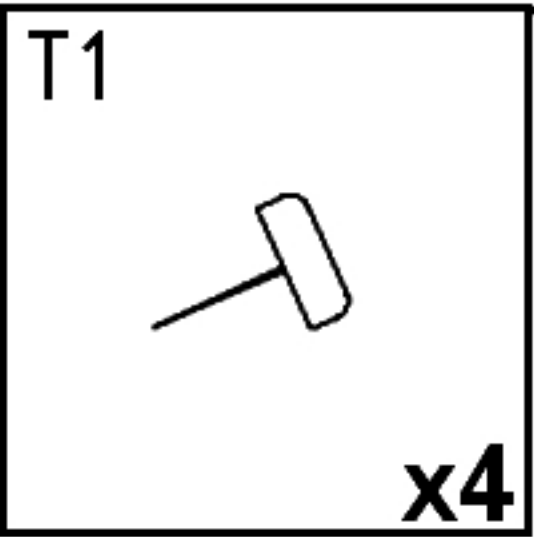
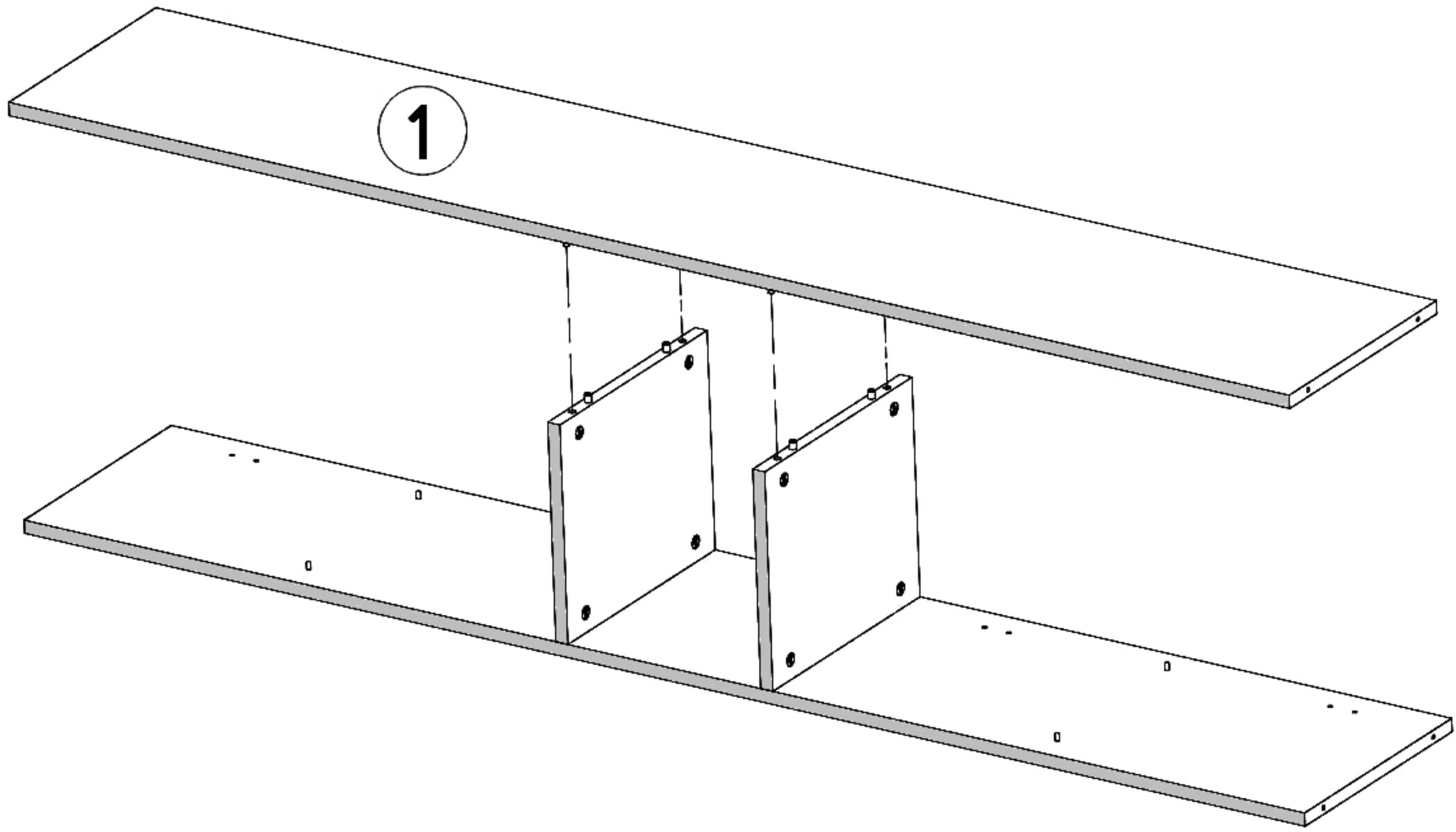
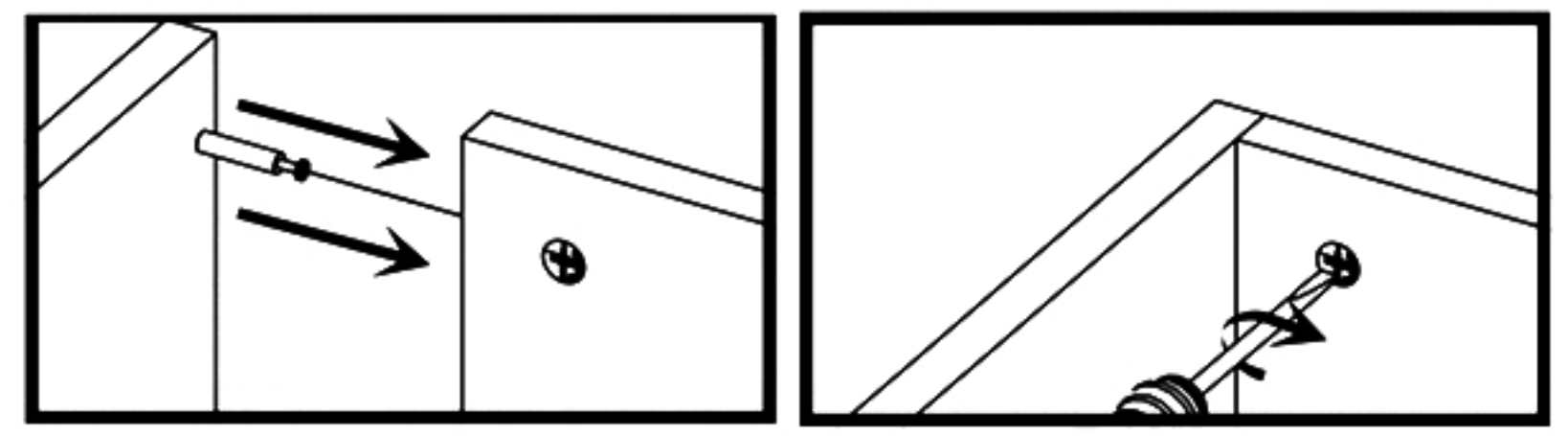
 ☹️ X	 😊 ✓
 😊 ✓	 ☹️ X

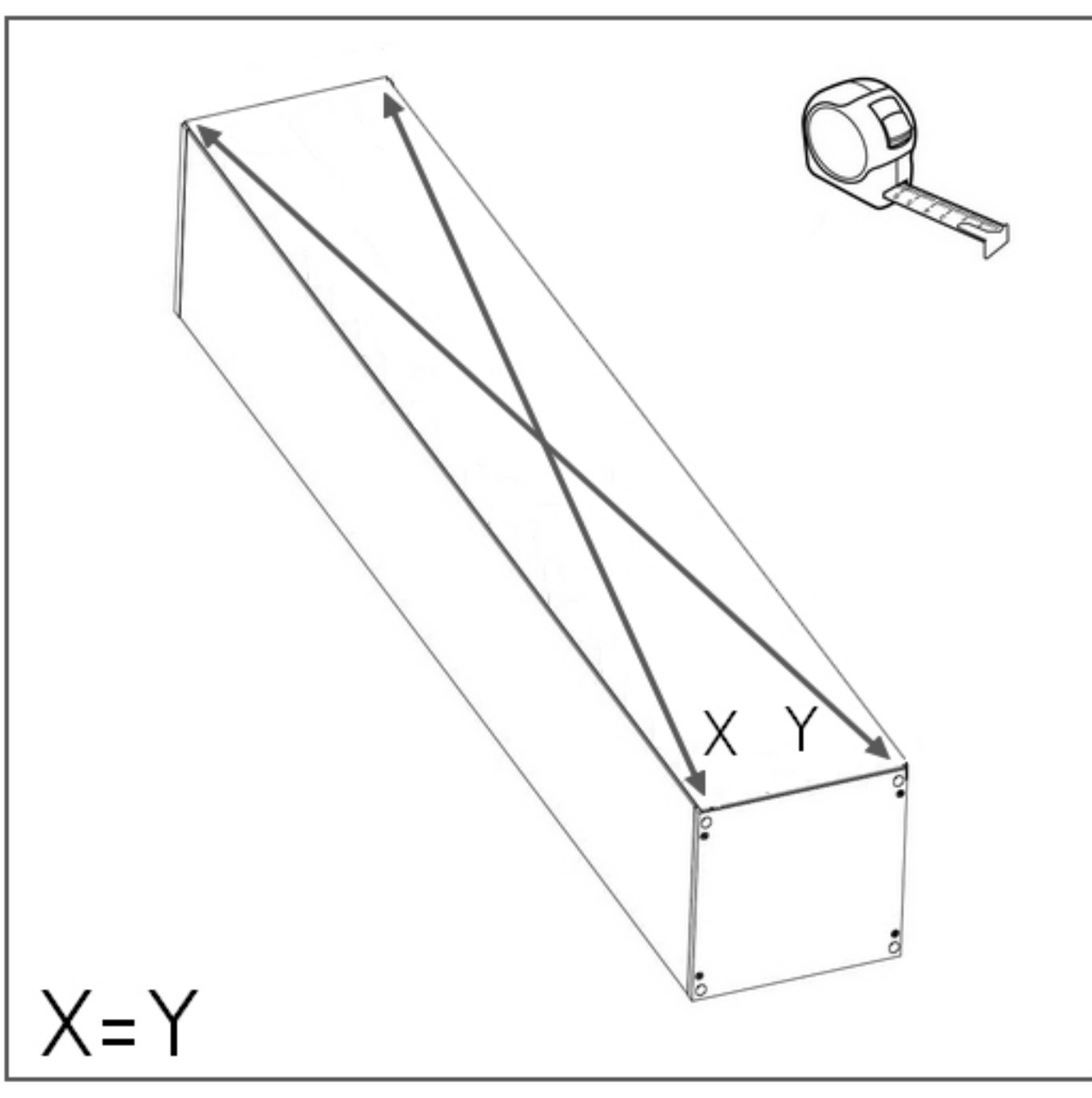
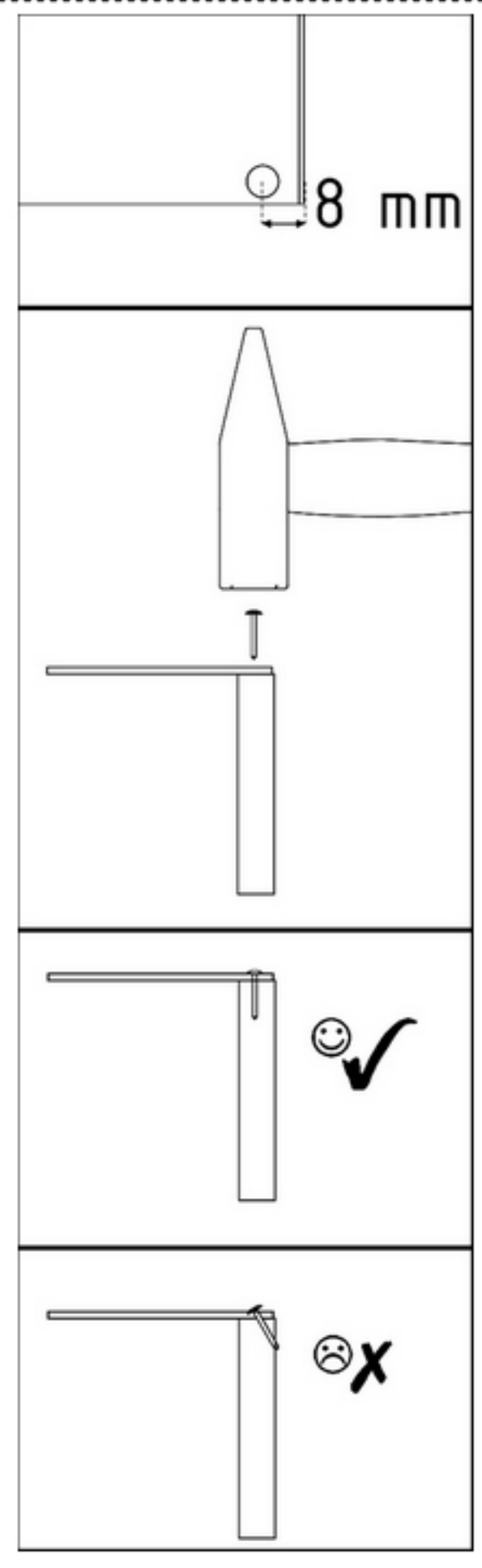
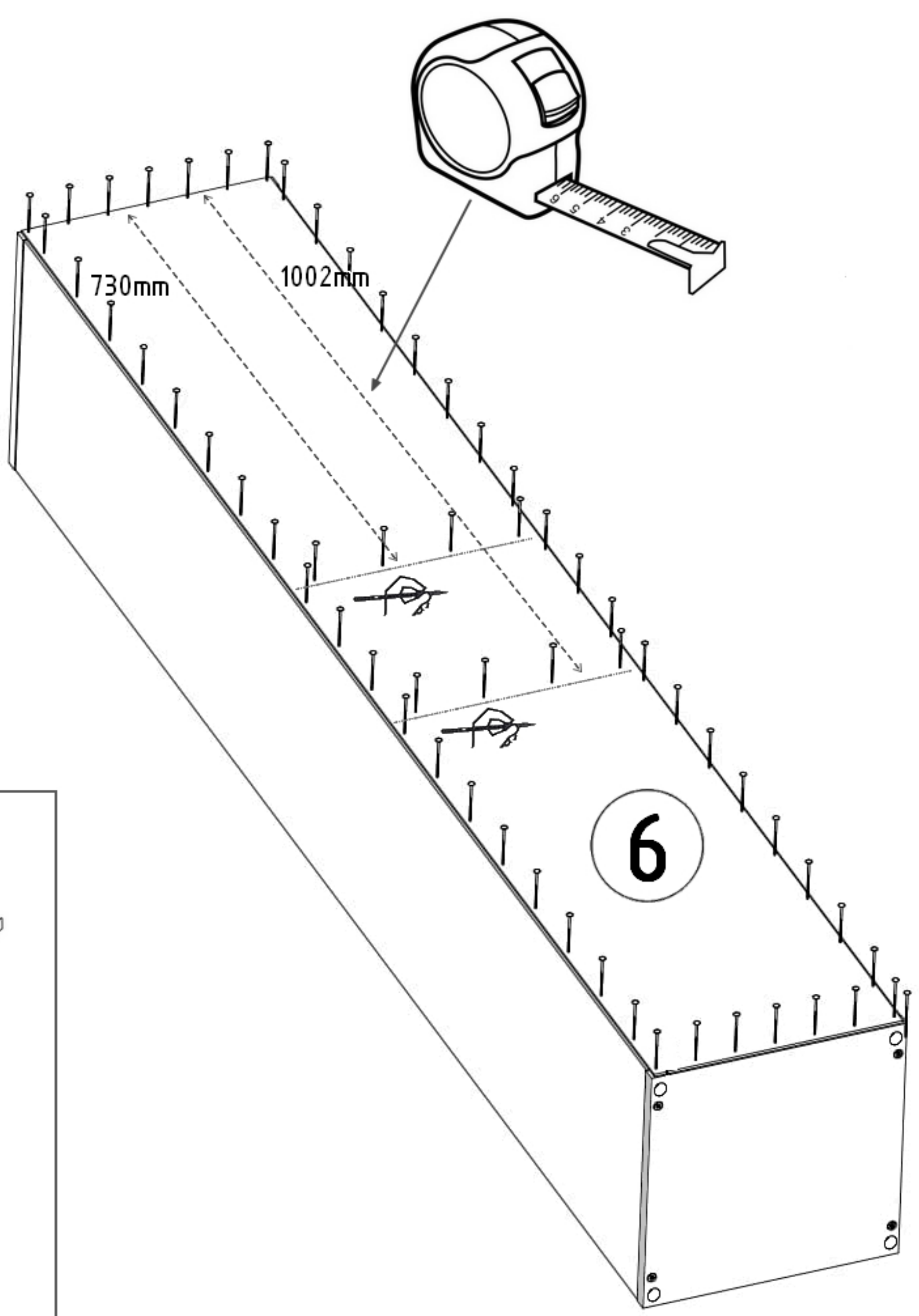
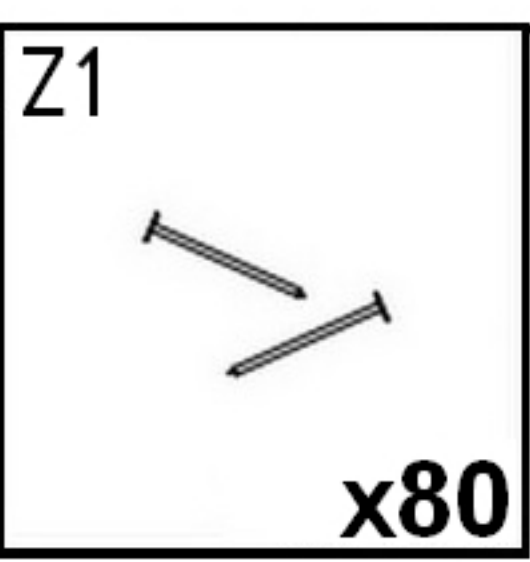
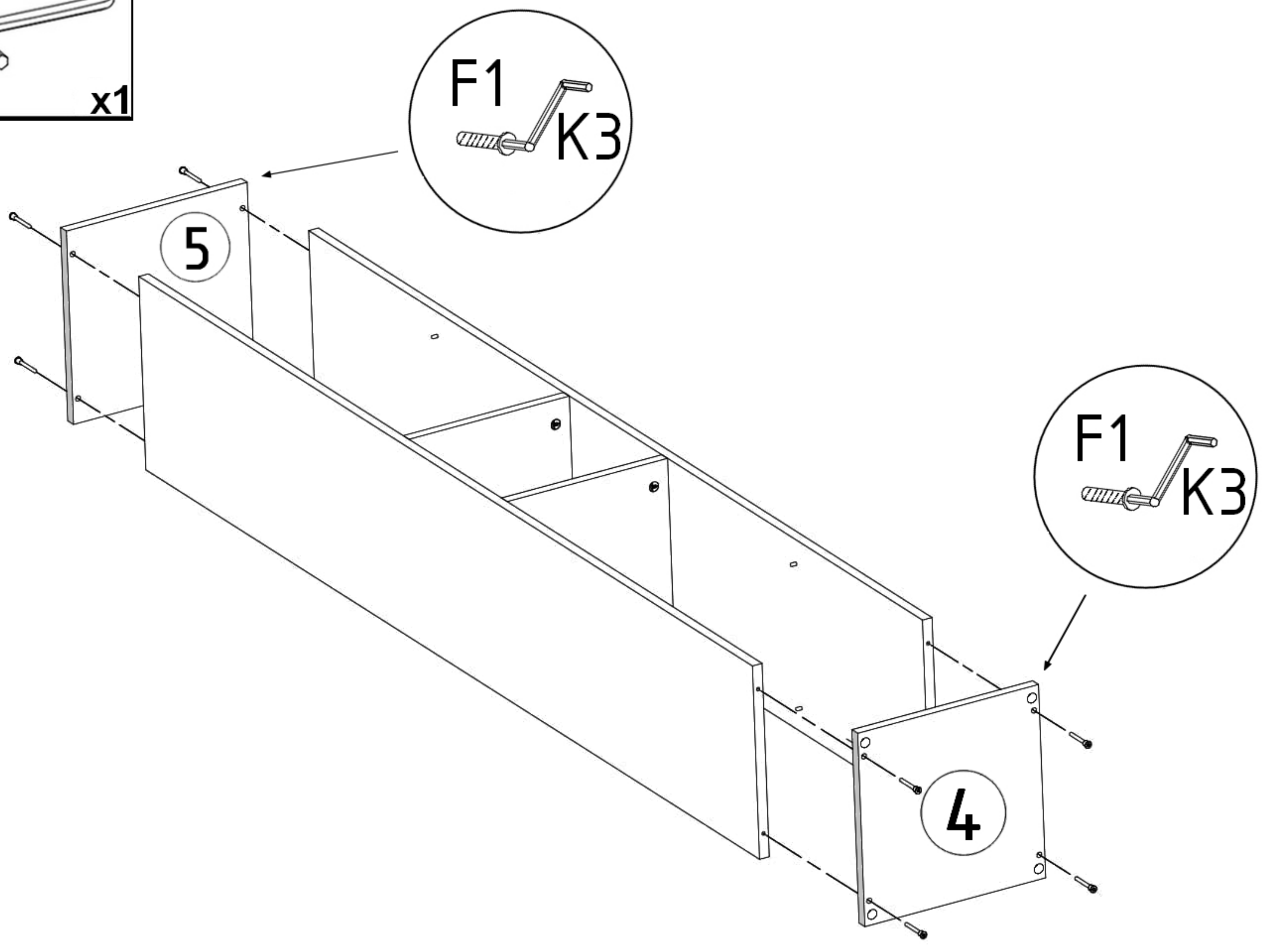
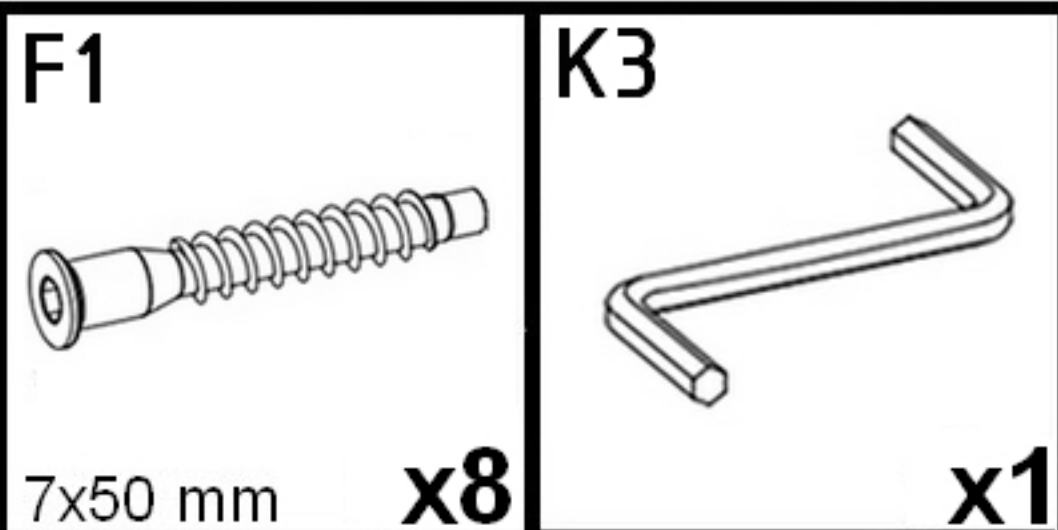


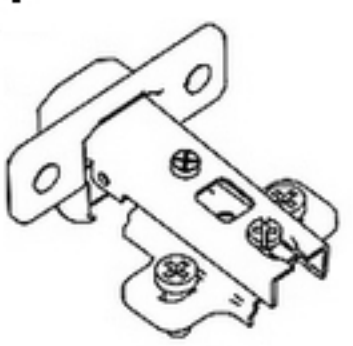

 ! ☹️ X / 😊 ✓	 ! 😊 ✓ / ☹️ X
--	---

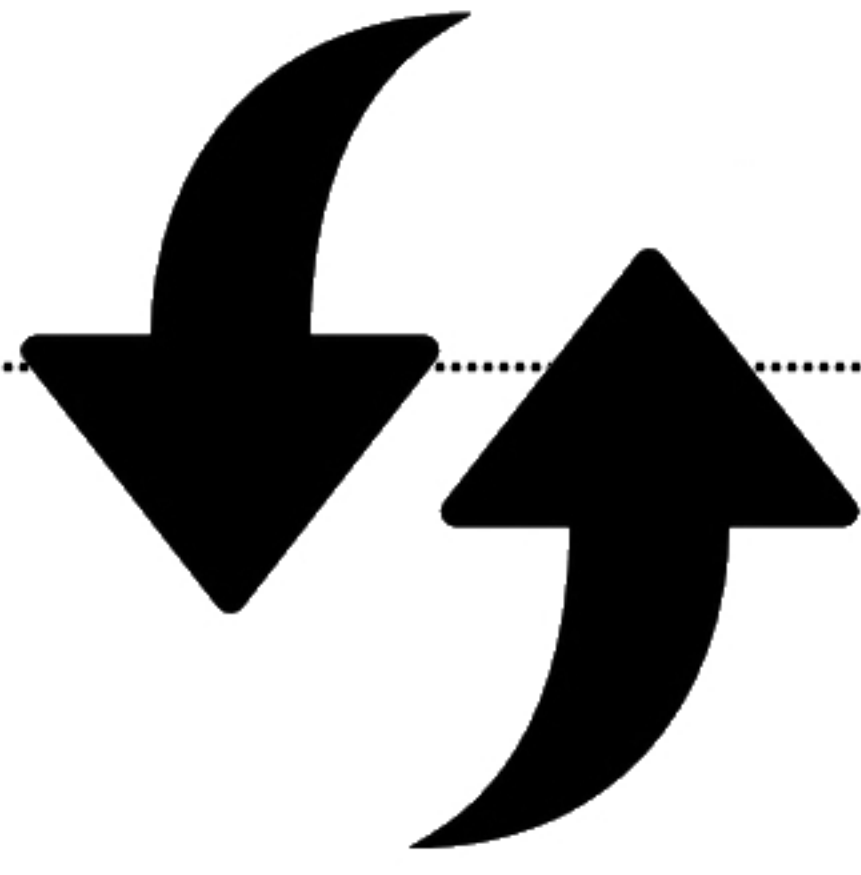
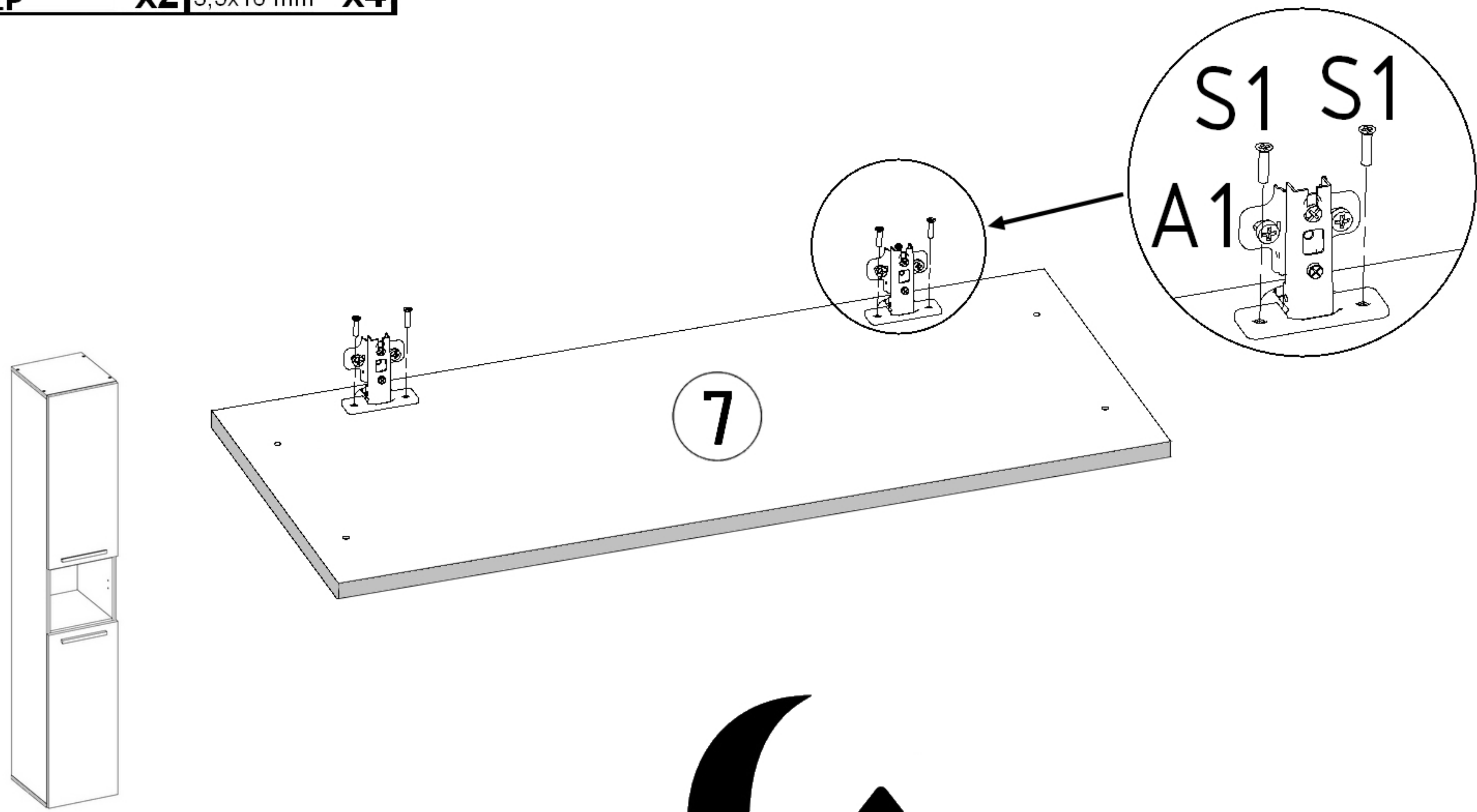
x2

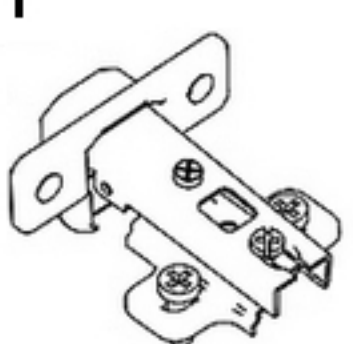



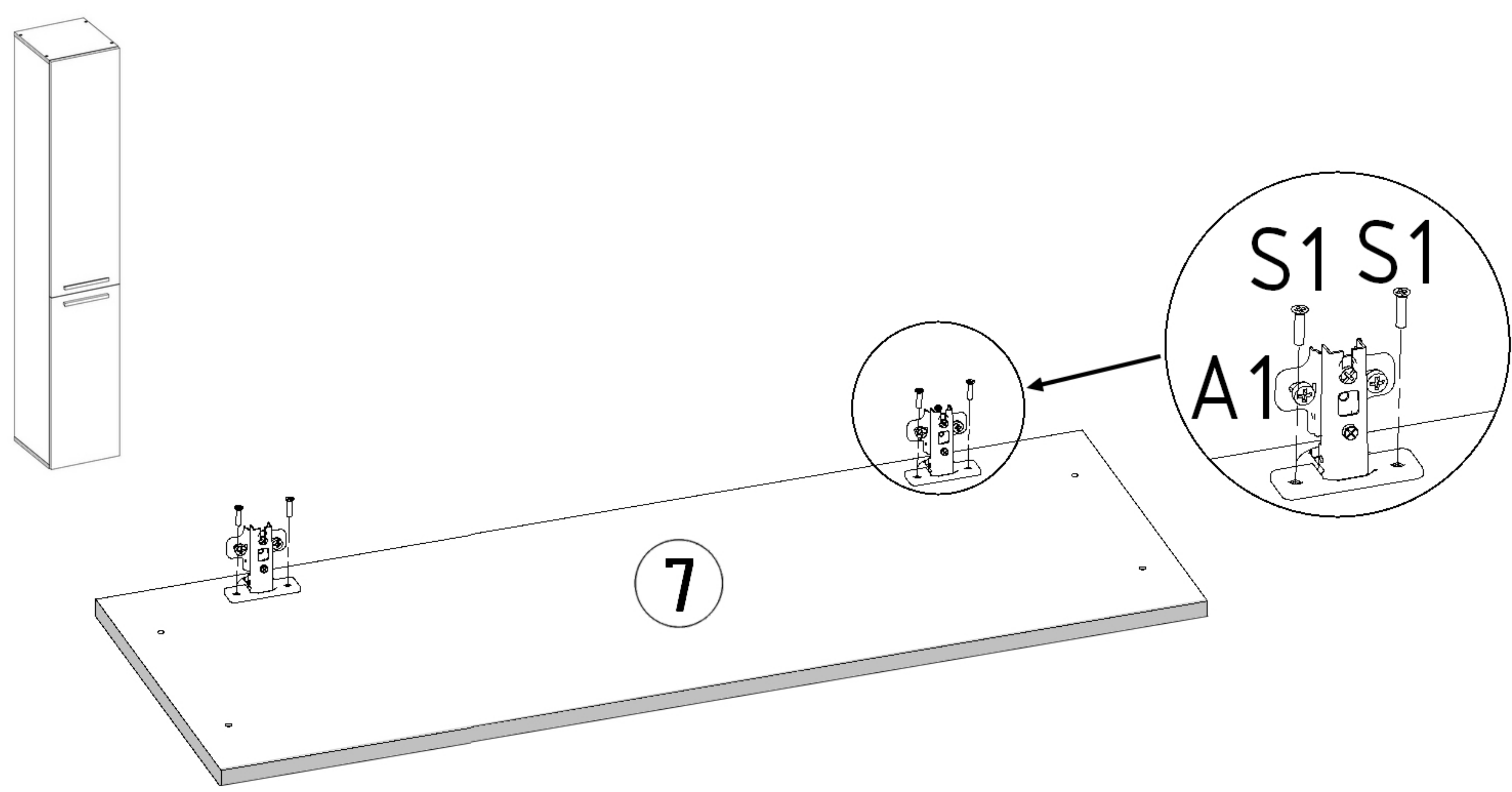


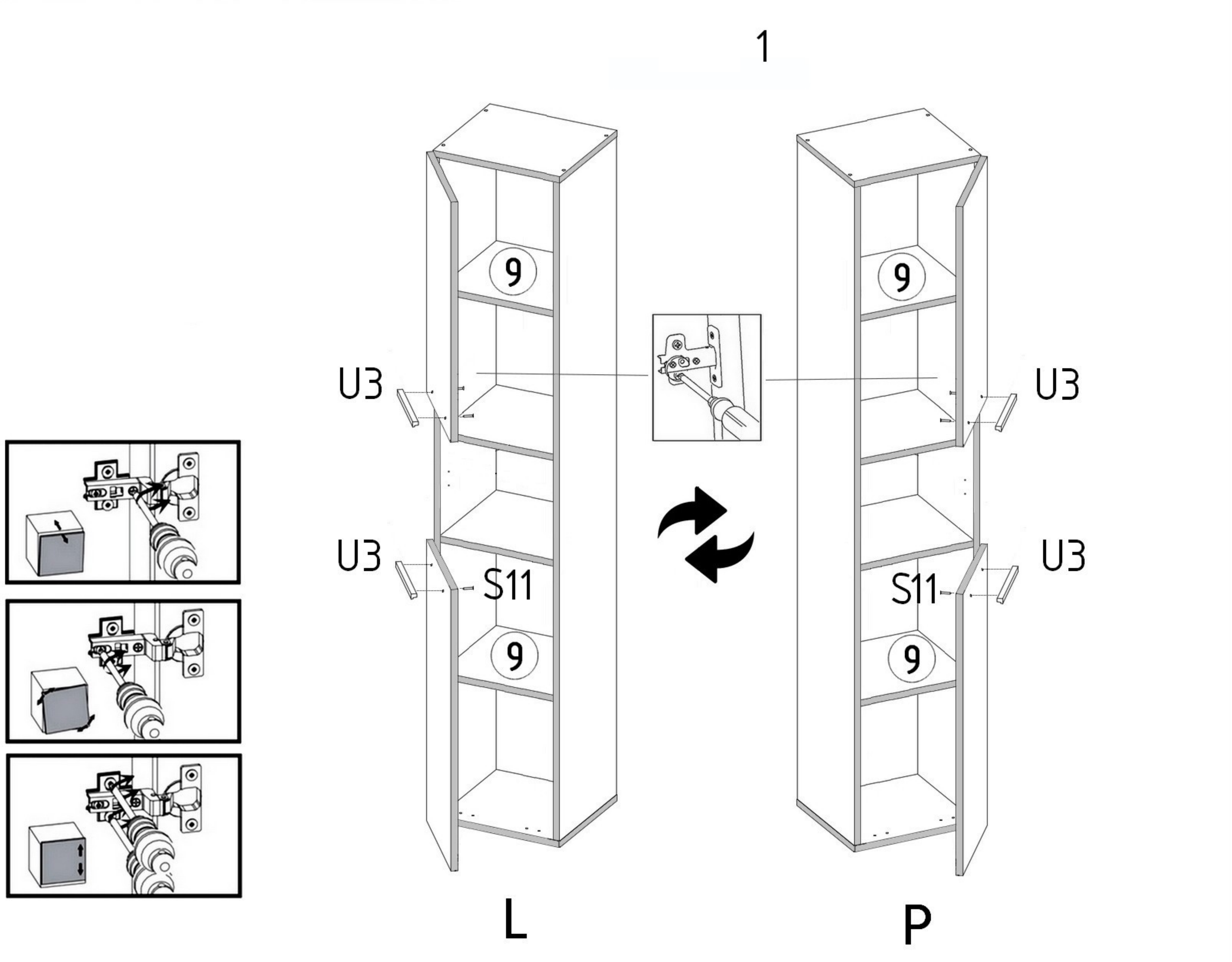
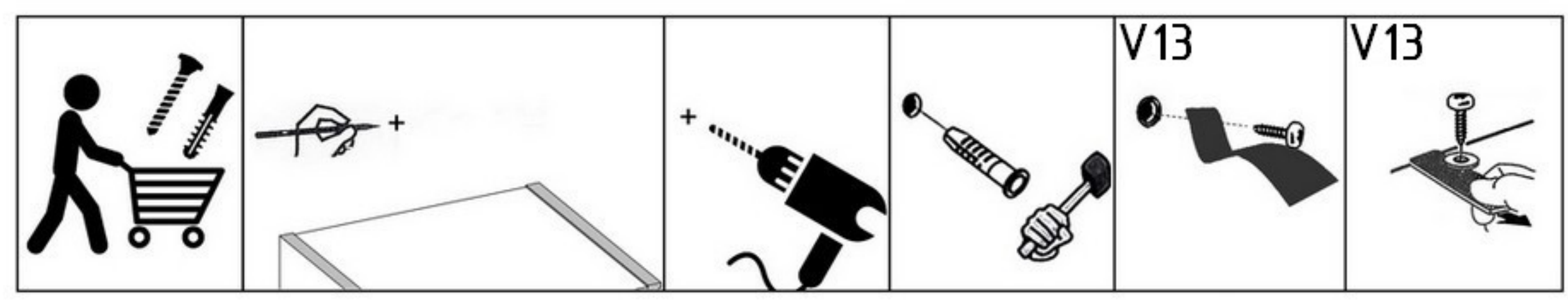
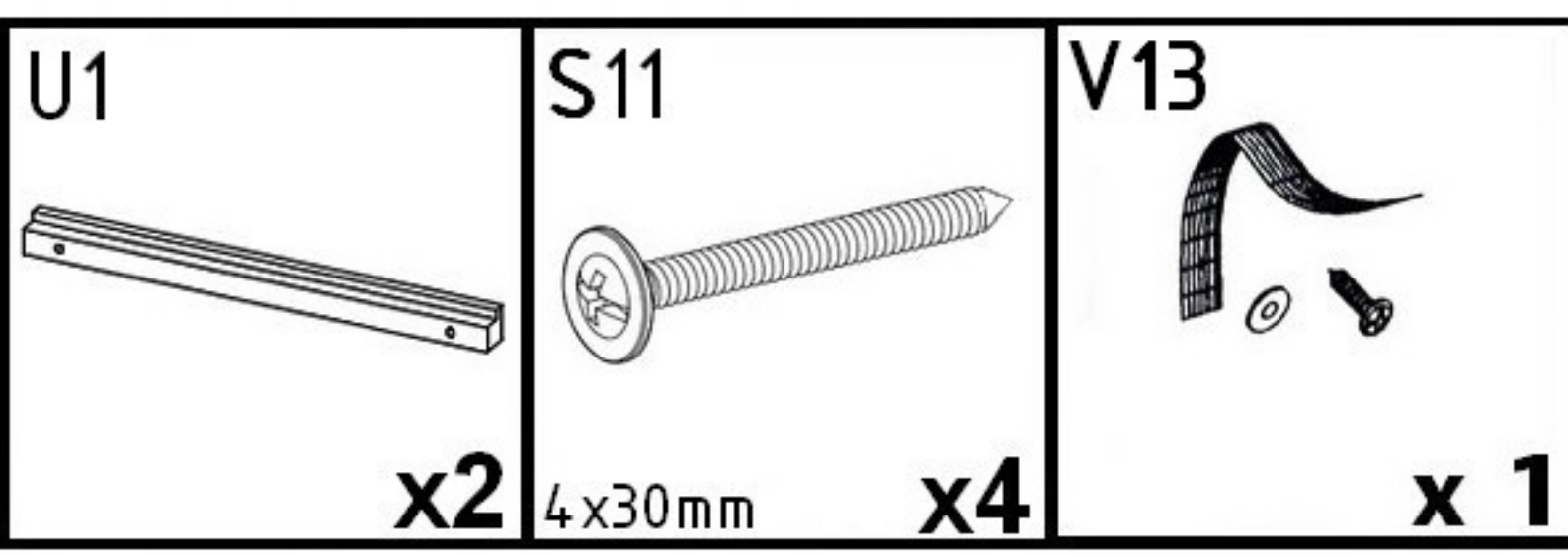
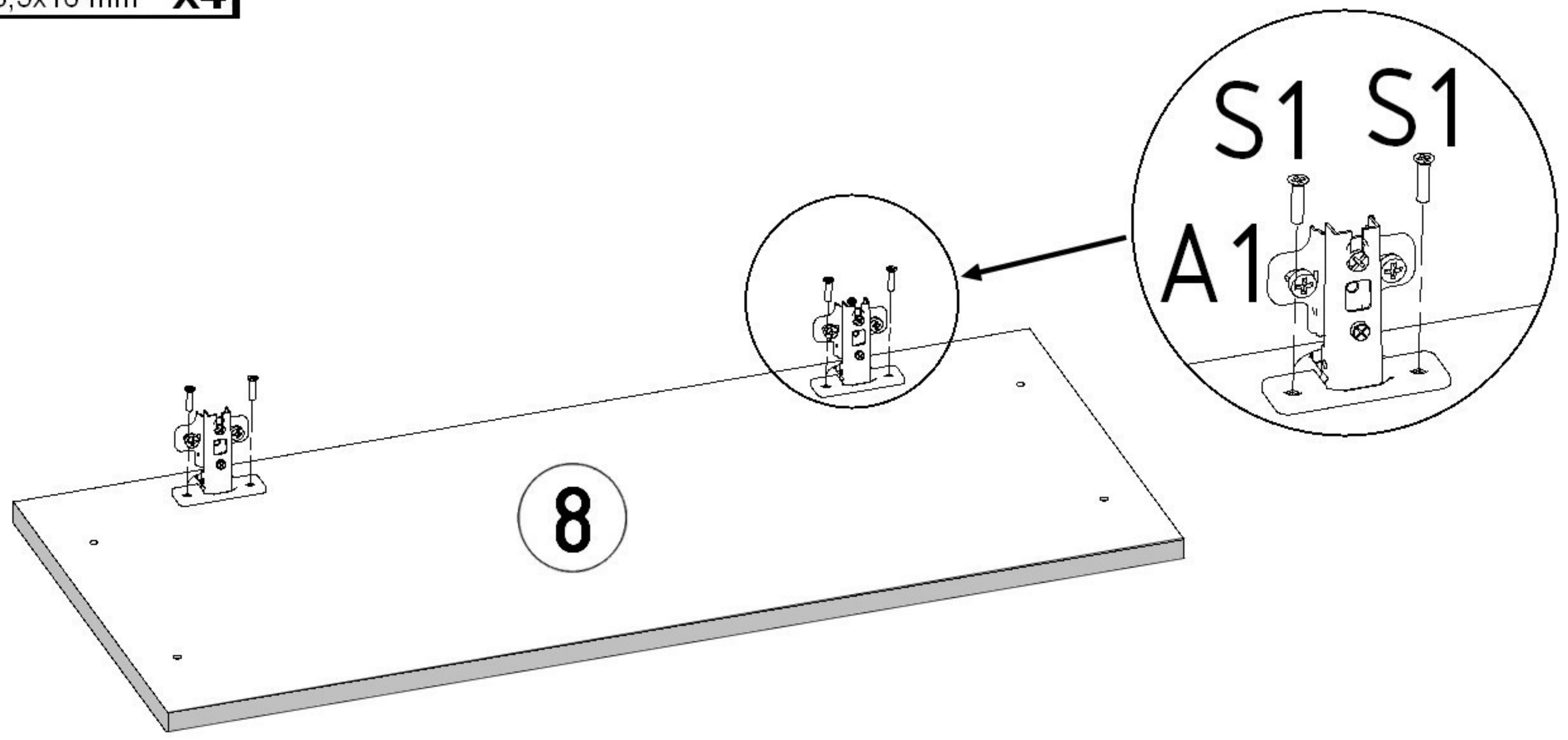
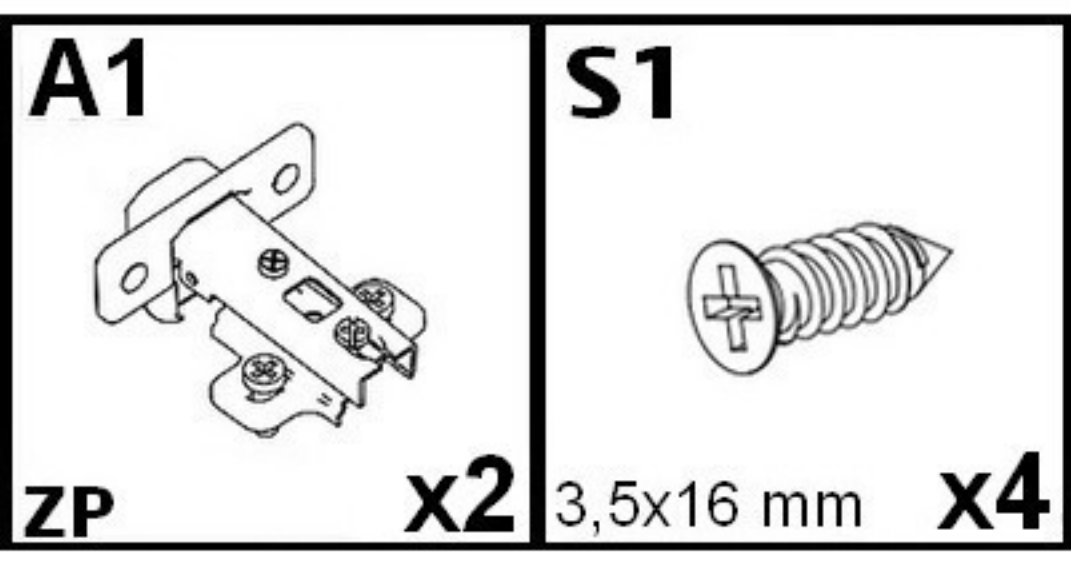


A1	S1
	
ZP	X2
3,5x16 mm	
X2	X4


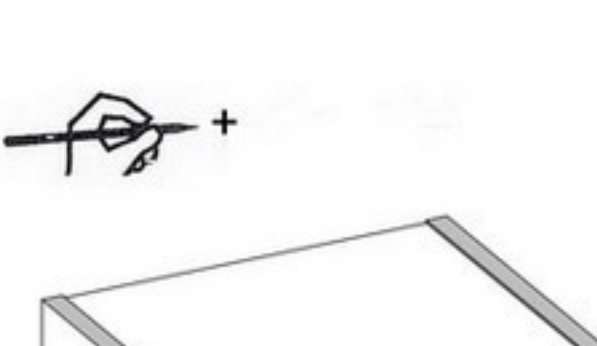


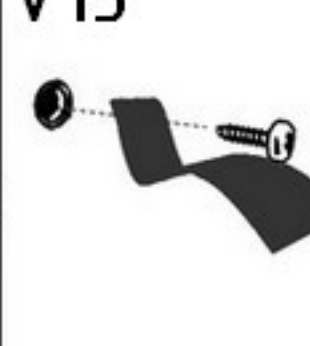
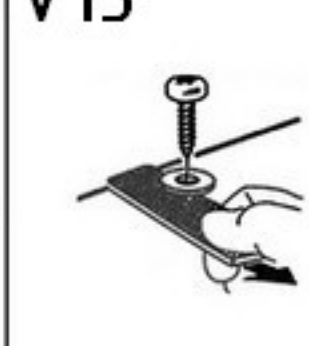


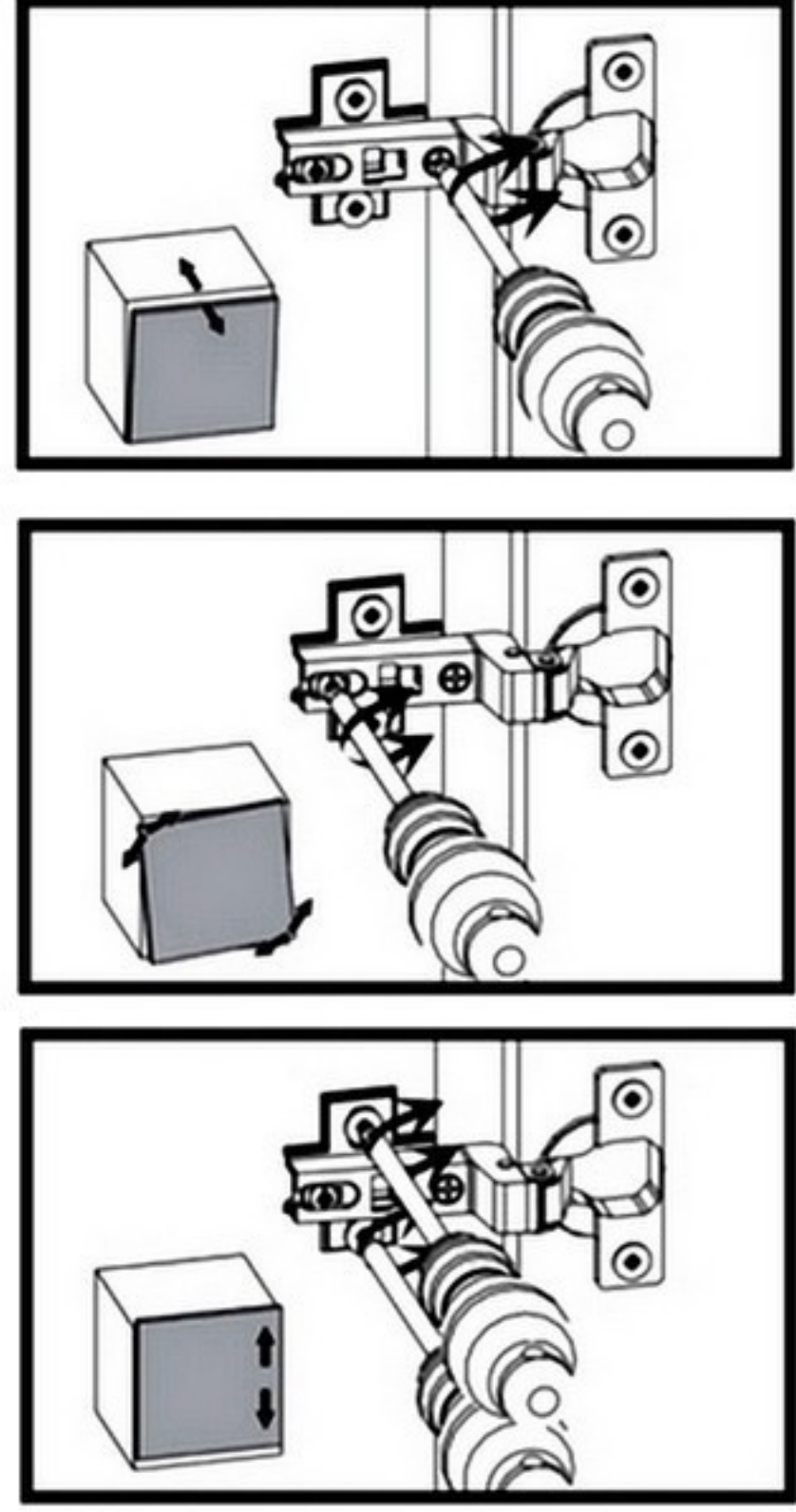
A1	S1
	
ZP	X2
3,5x16 mm	
X2	X4





<p>U1</p>  <p>x2</p>	<p>S11</p>  <p>4x30mm x4</p>	<p>V13</p>  <p>x 1</p>
---	--	--

				<p>V13</p> 	<p>V13</p> 
--	---	---	---	--	--



2

