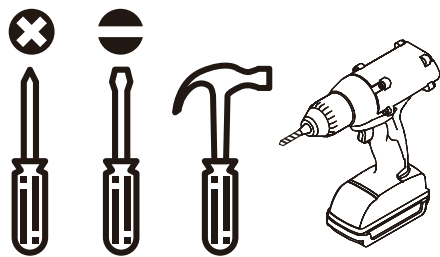
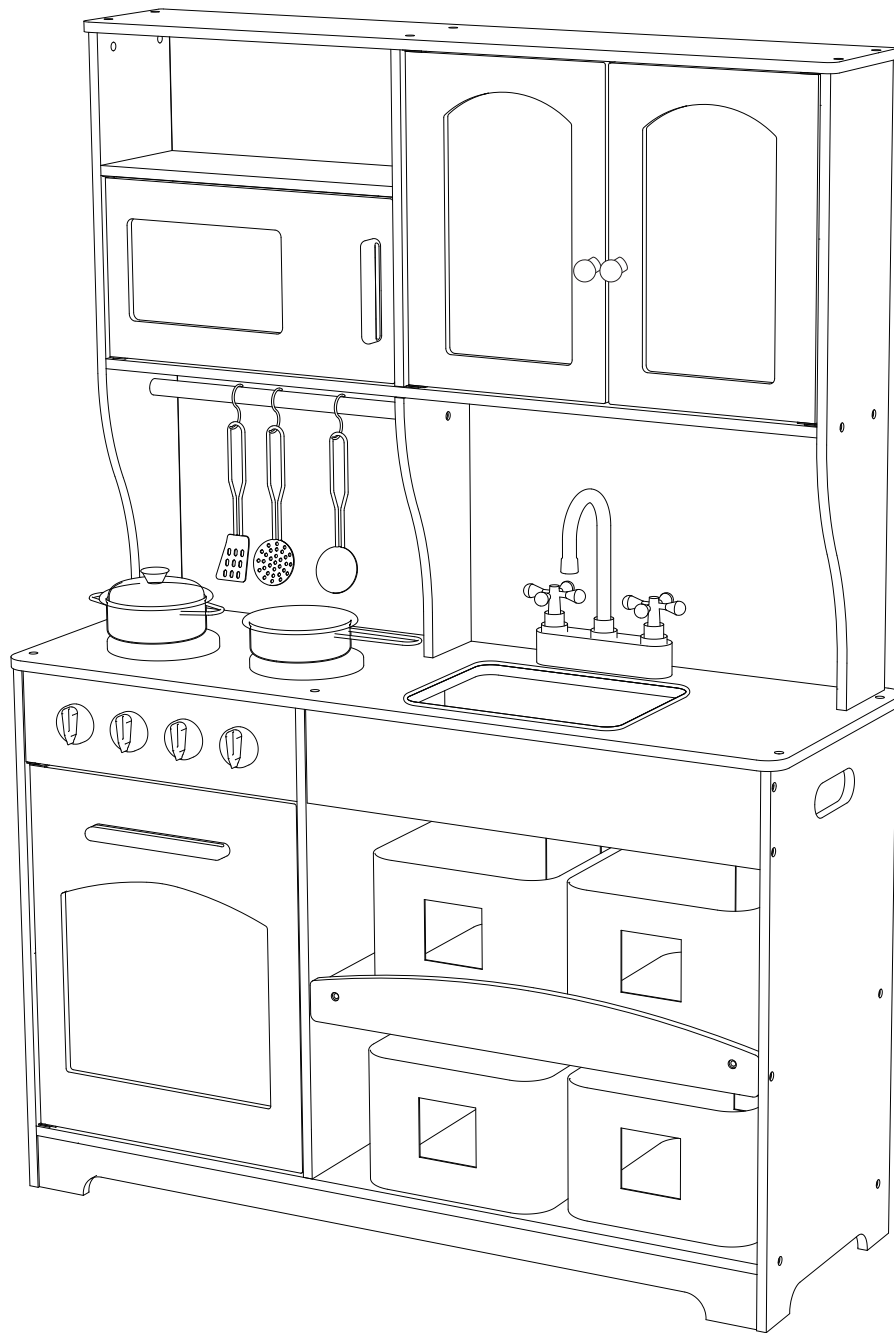


1870101129 A1 / A2

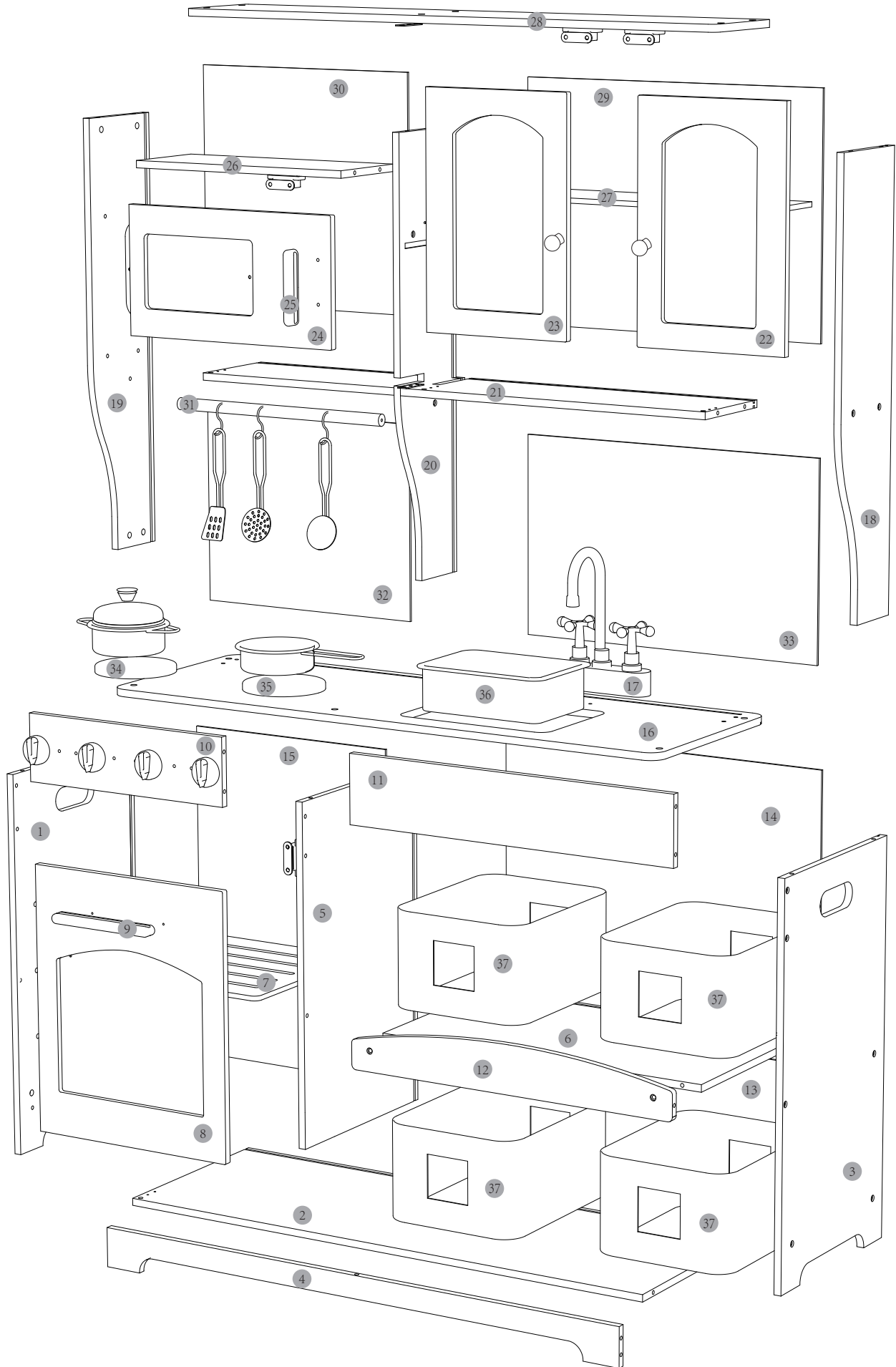


Tools required
(not included)







2 people for assembly

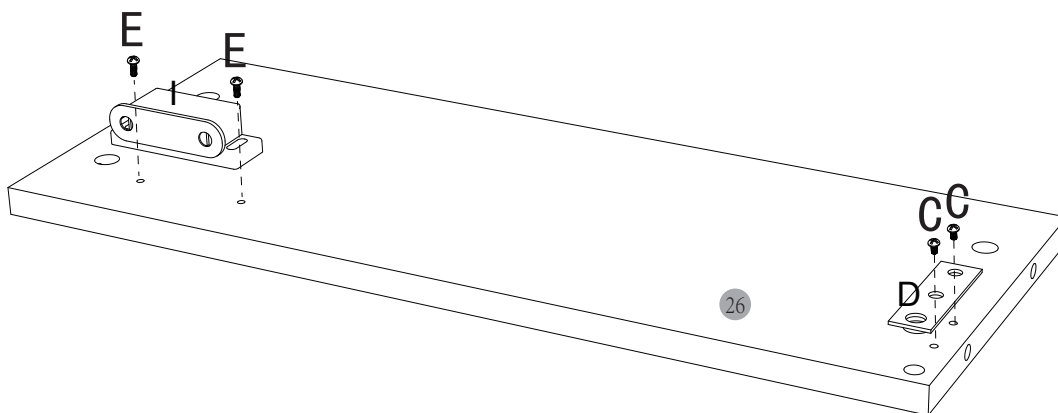
PRODUCT ASSEMBLY





PRODUCT ASSEMBLY

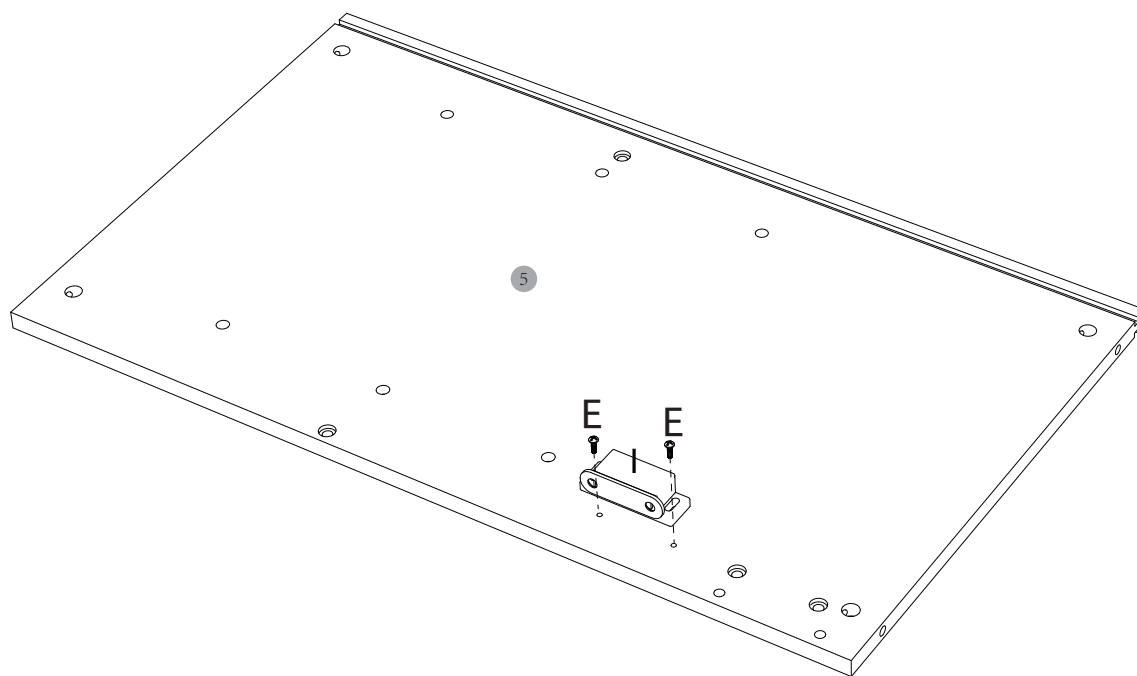
Step 1

I		1 PC
E		2 PCS
C		2 PCS
D		1 PCS





Step 2

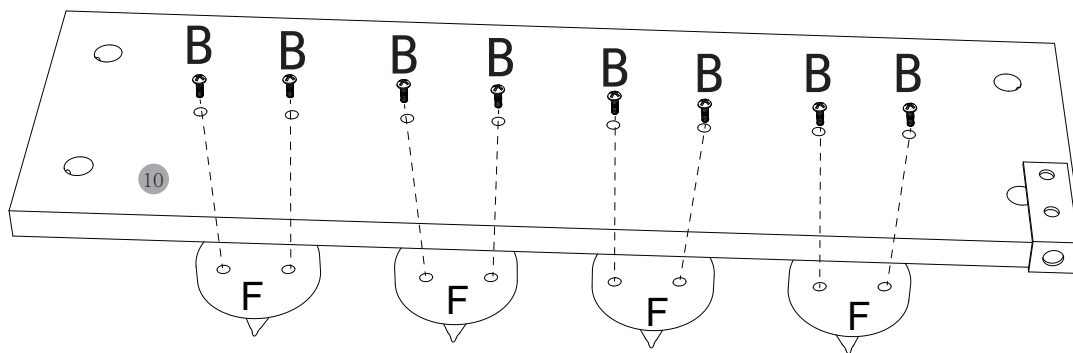
I		1 PC
E		2 PCS




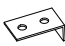
PRODUCT ASSEMBLY

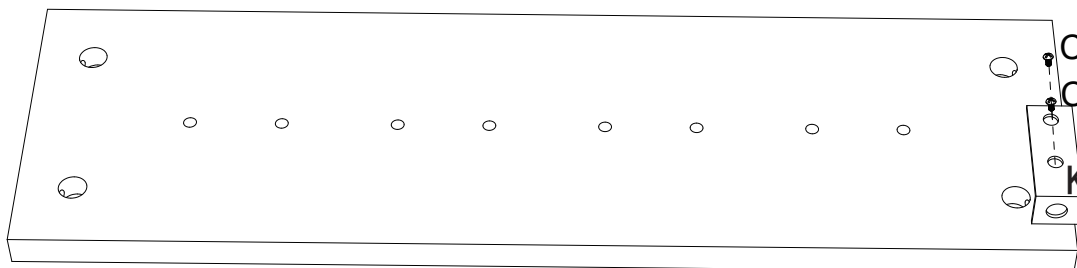
Step 3

B		8 PCS
F		4 PCS





Step 4

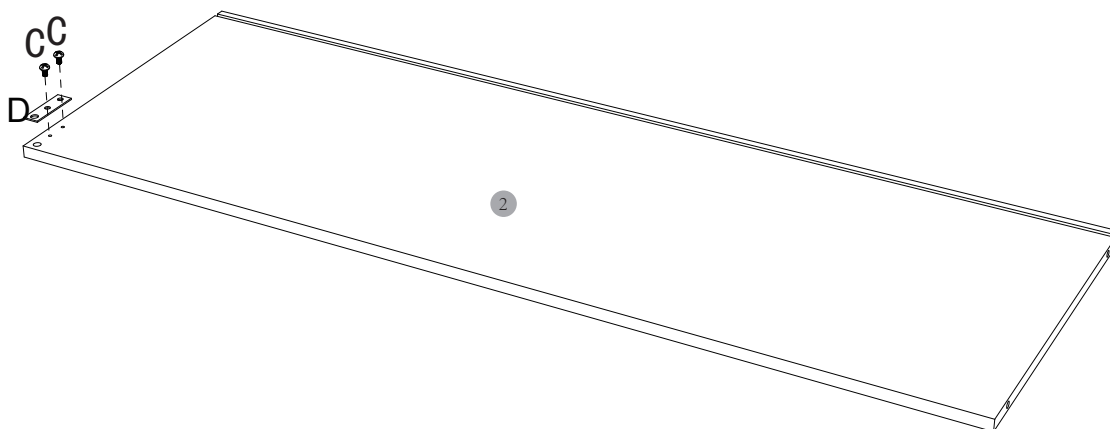
C		2 PCS
K		1 PCS






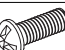
PRODUCT ASSEMBLY

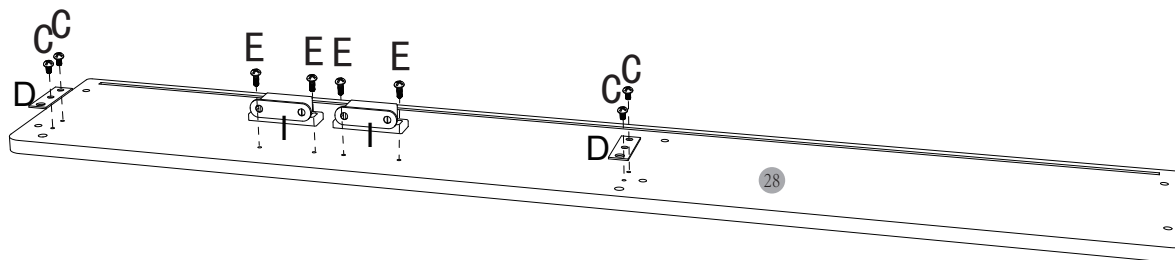
Step 5

C		2 PCS
D		1 PCS





Step 6

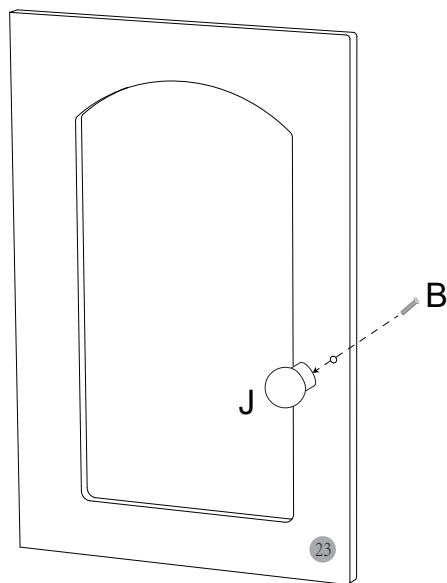
C		4 PCS
D		2 PCS
I		2 PC
E		4 PCS





PRODUCT ASSEMBLY

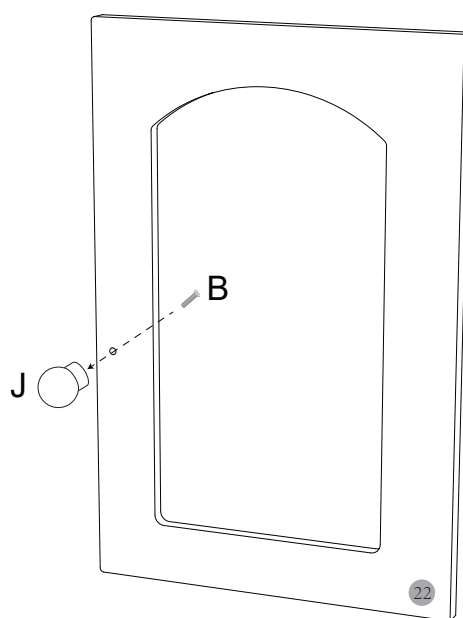
Step 7

B		1 PCS
J		1 PCS





Step 8

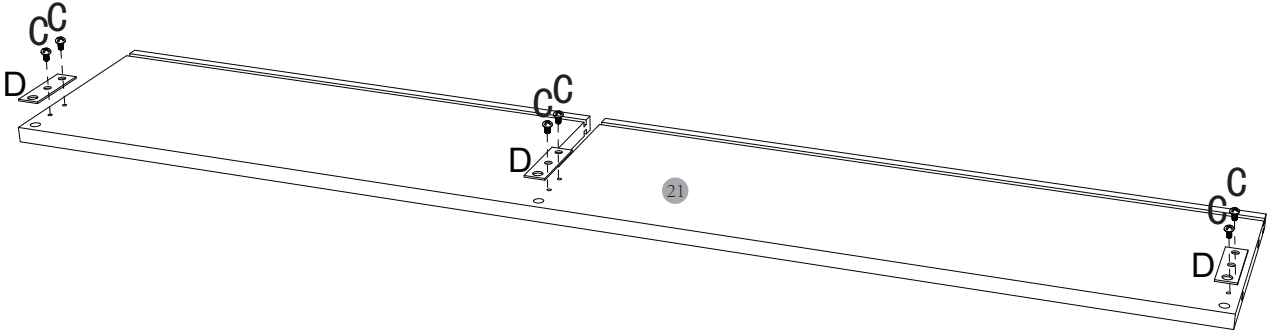
B		1 PCS
J		1 PCS



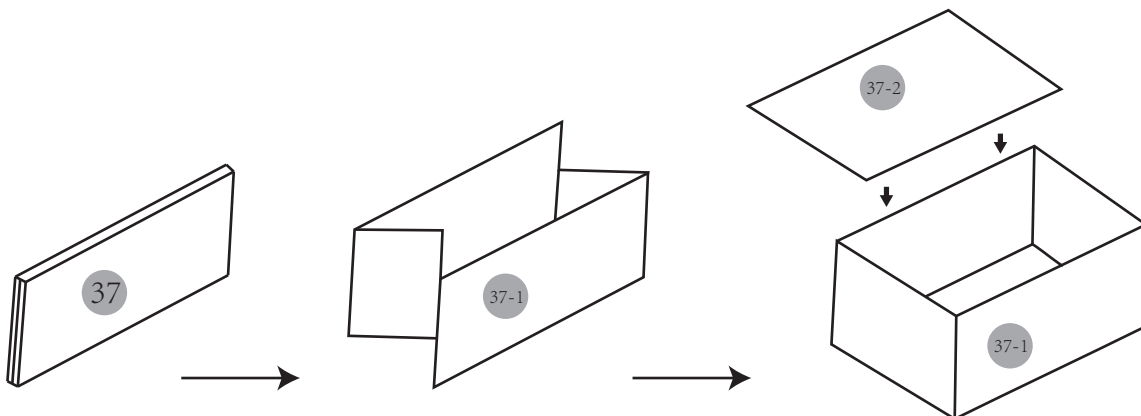
PRODUCT ASSEMBLY

Step 9

C		6 PCS
D		3 PCS



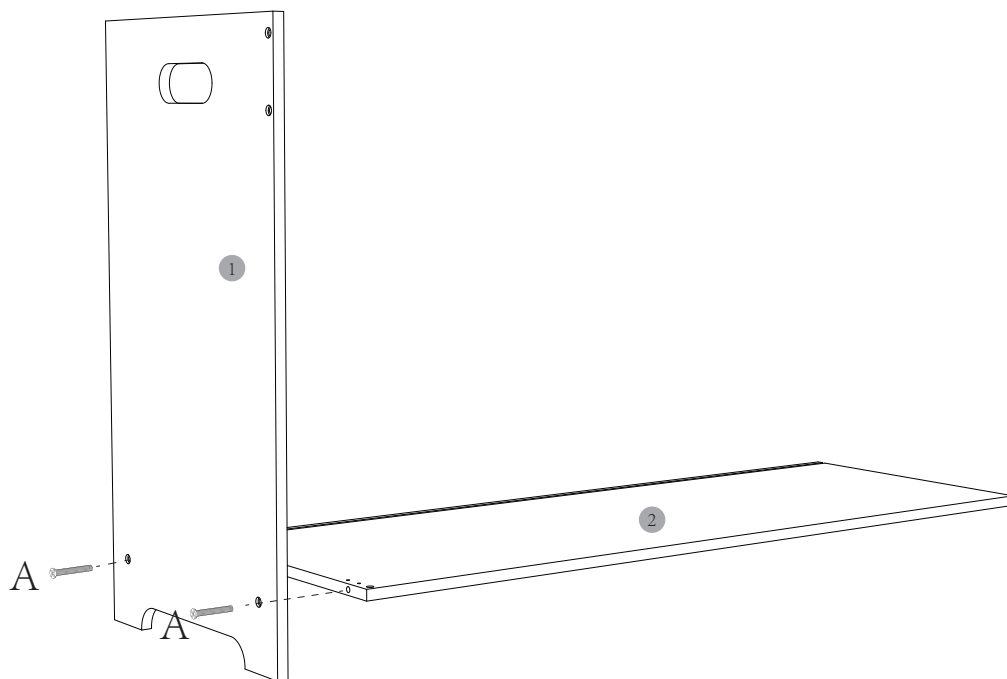
Step 10



PRODUCT ASSEMBLY

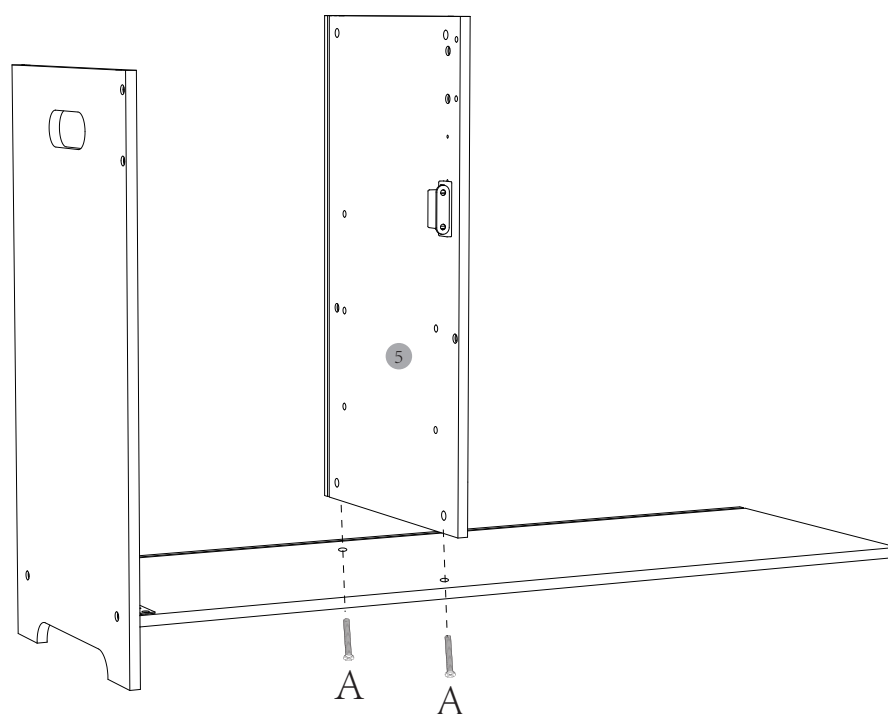
Step 11

A  2 PCS



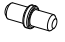
Step 12

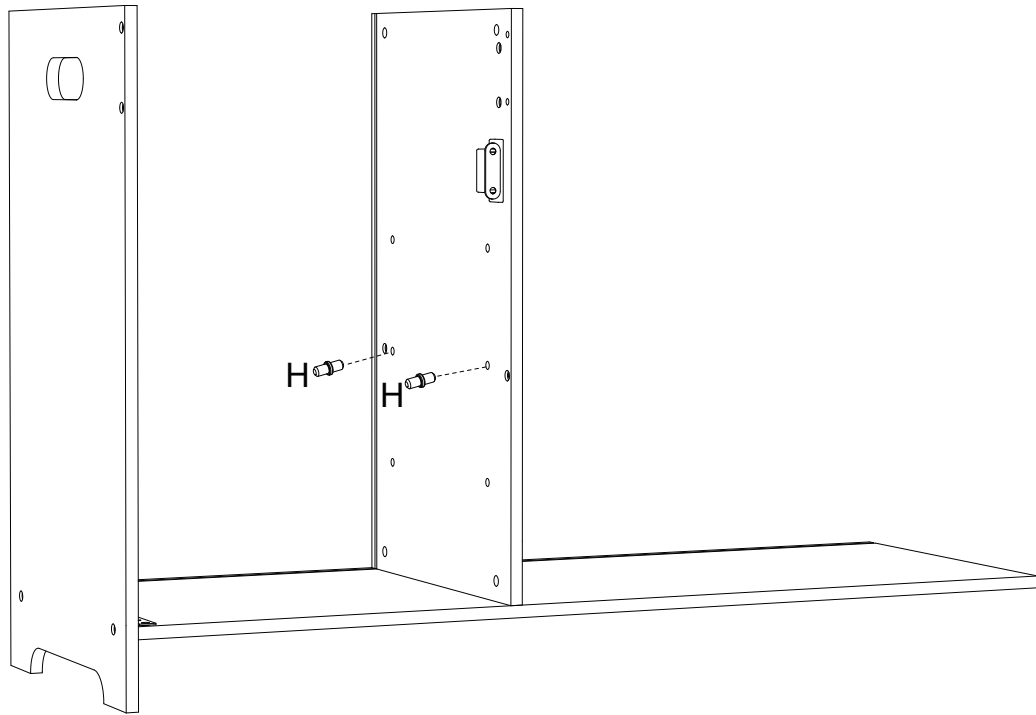
A  2 PCS




PRODUCT ASSEMBLY

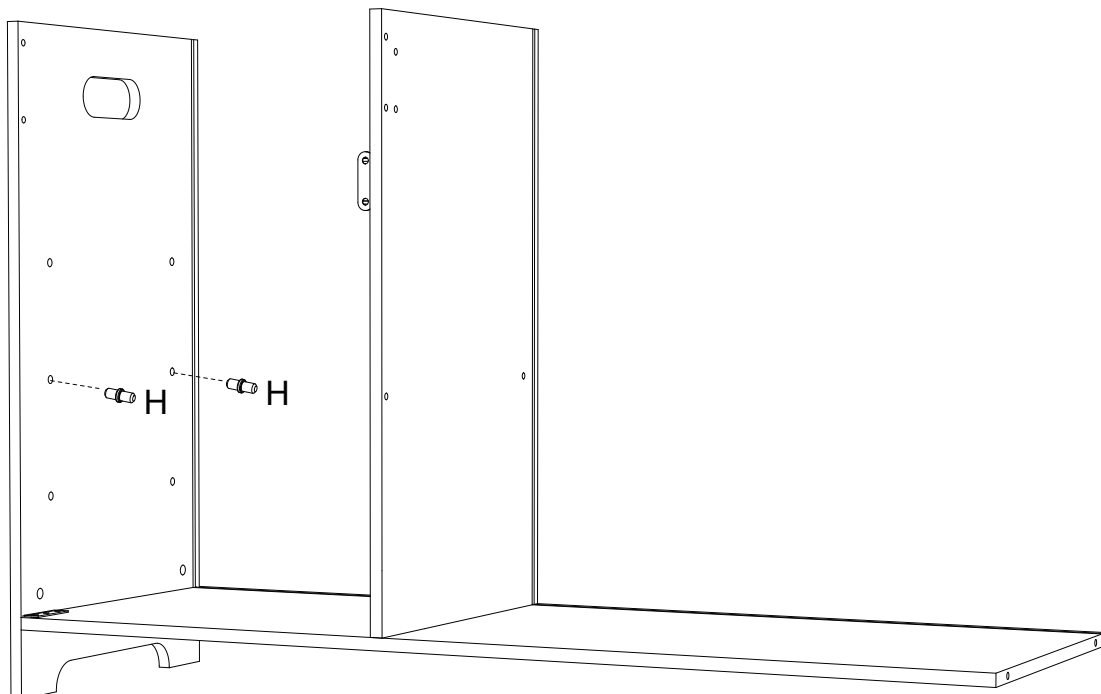
Step 13

H		2 PCS
---	---	-------




Step 14

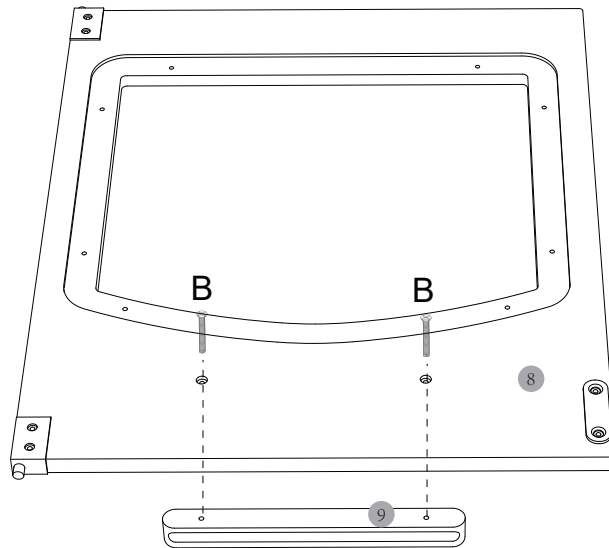
H		2 PCS
---	---	-------



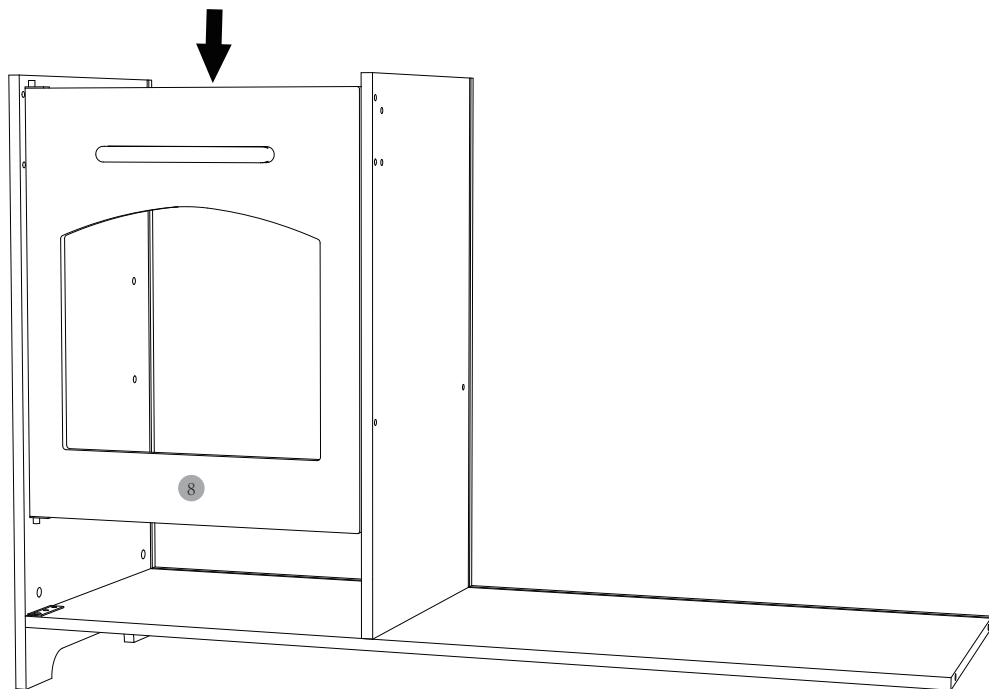
PRODUCT ASSEMBLY

Step 15

B  2 PCS



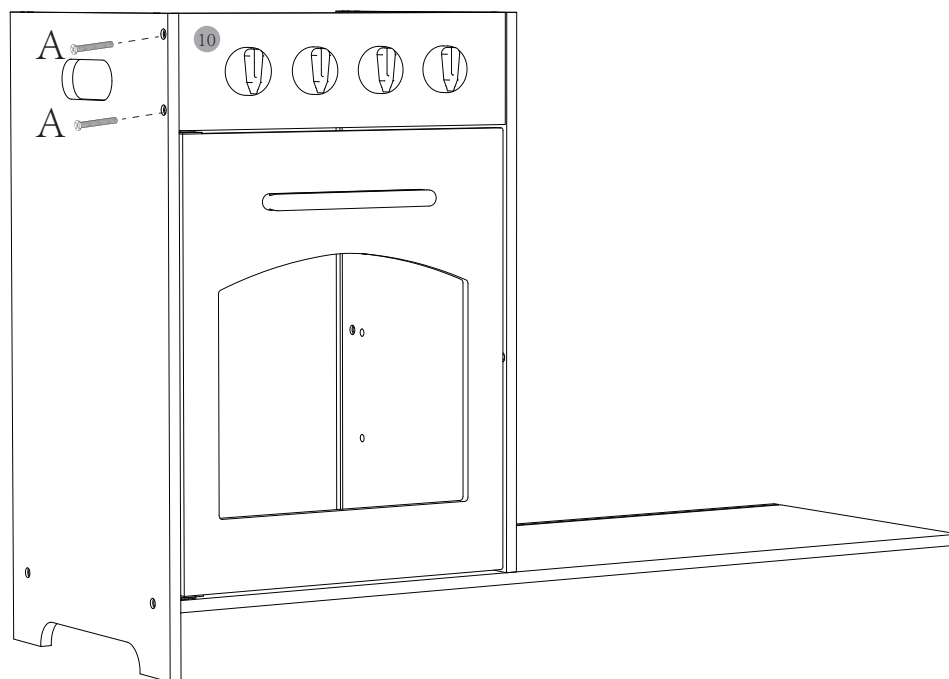
Step 16



PRODUCT ASSEMBLY

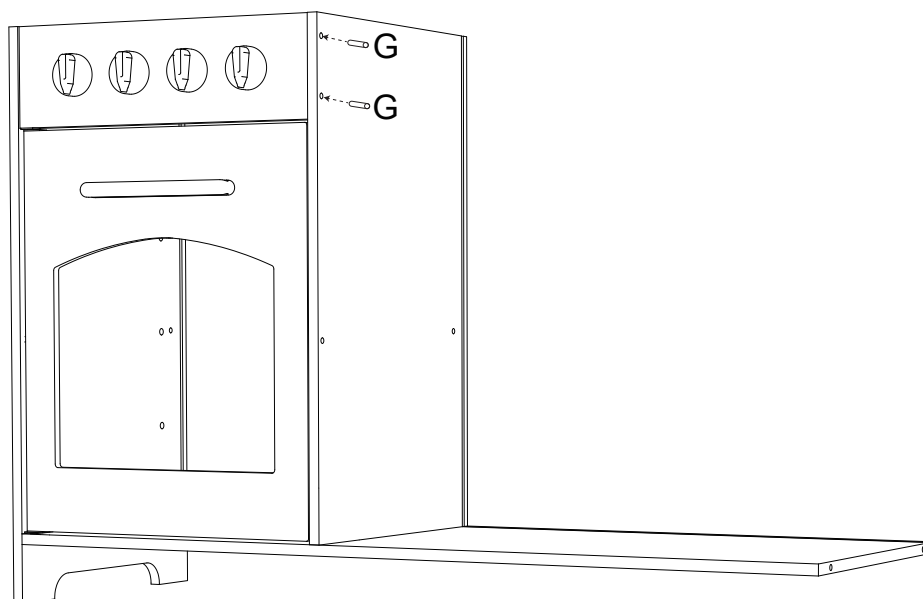
Step 17

A		2 PCS
---	---	-------



Step 18

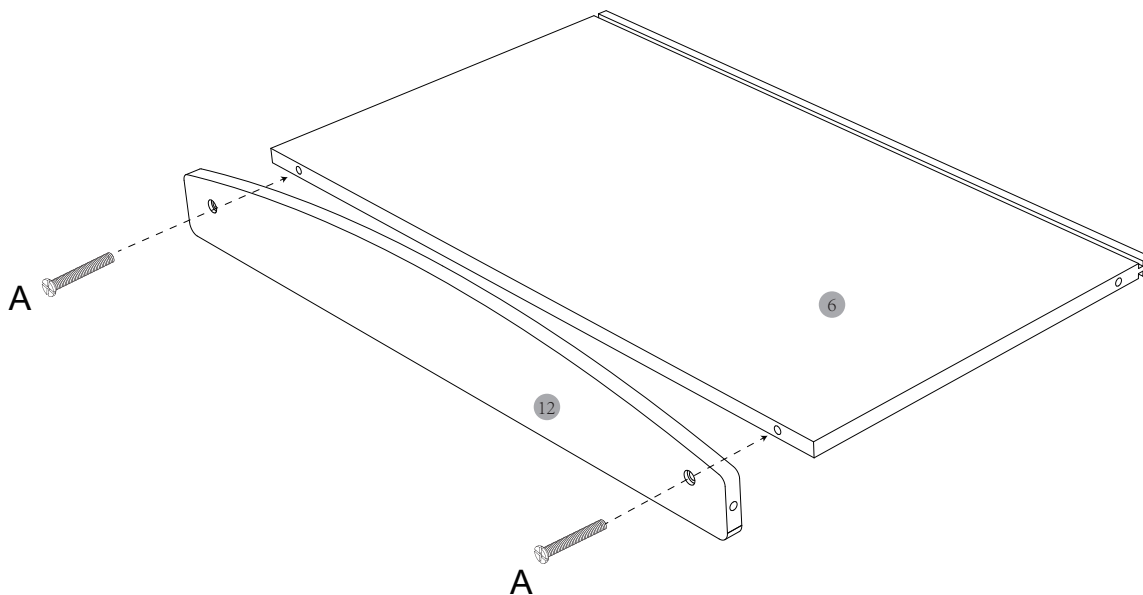
G		2 PCS
---	---	-------



PRODUCT ASSEMBLY

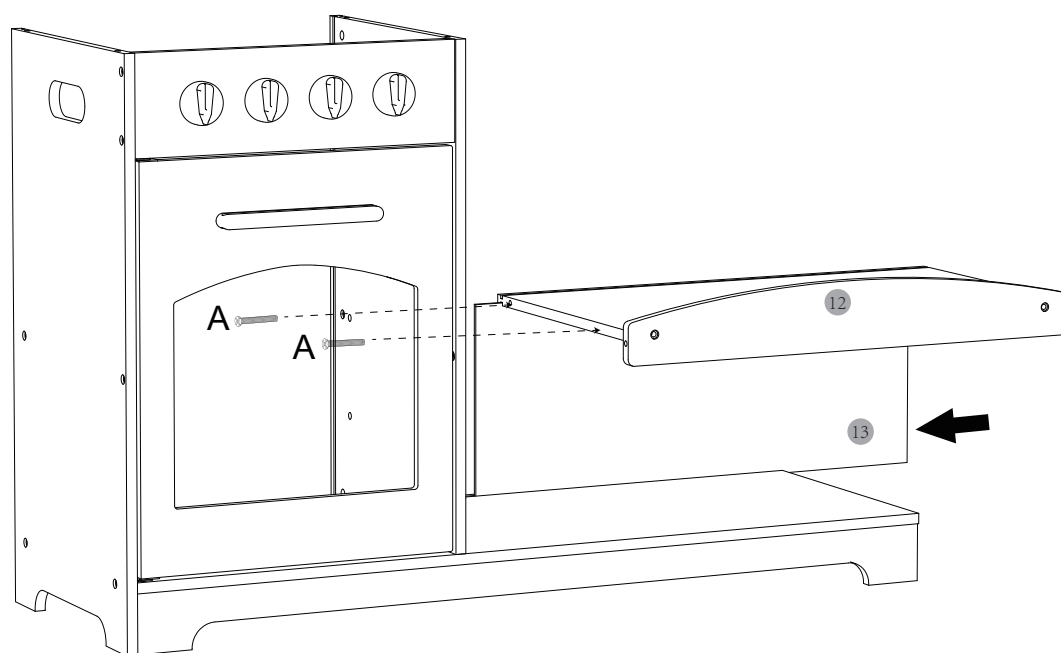
Step 19

A  2 PCS



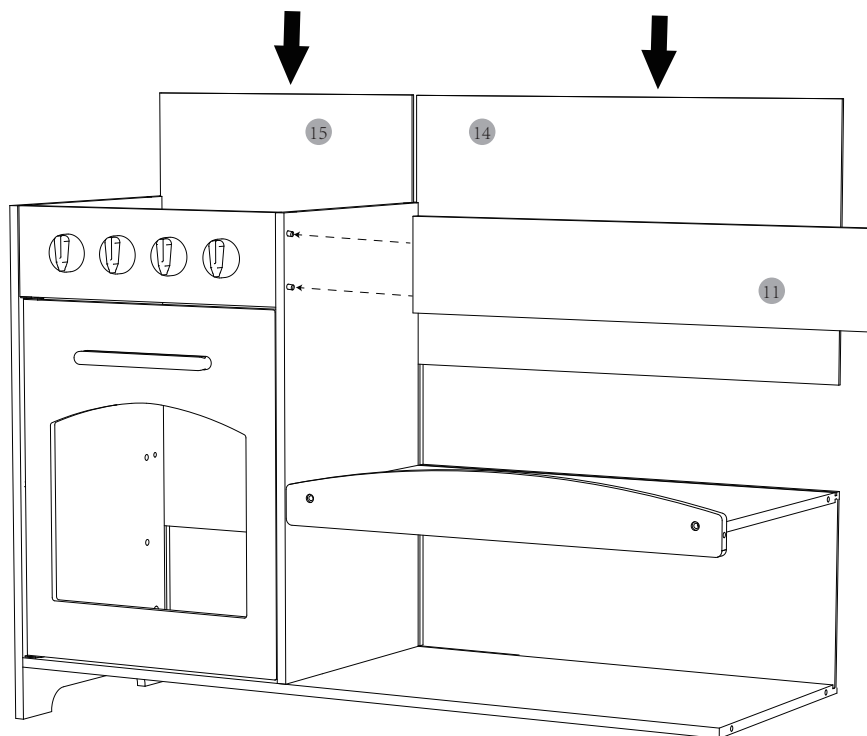
Step 20

A  2 PCS



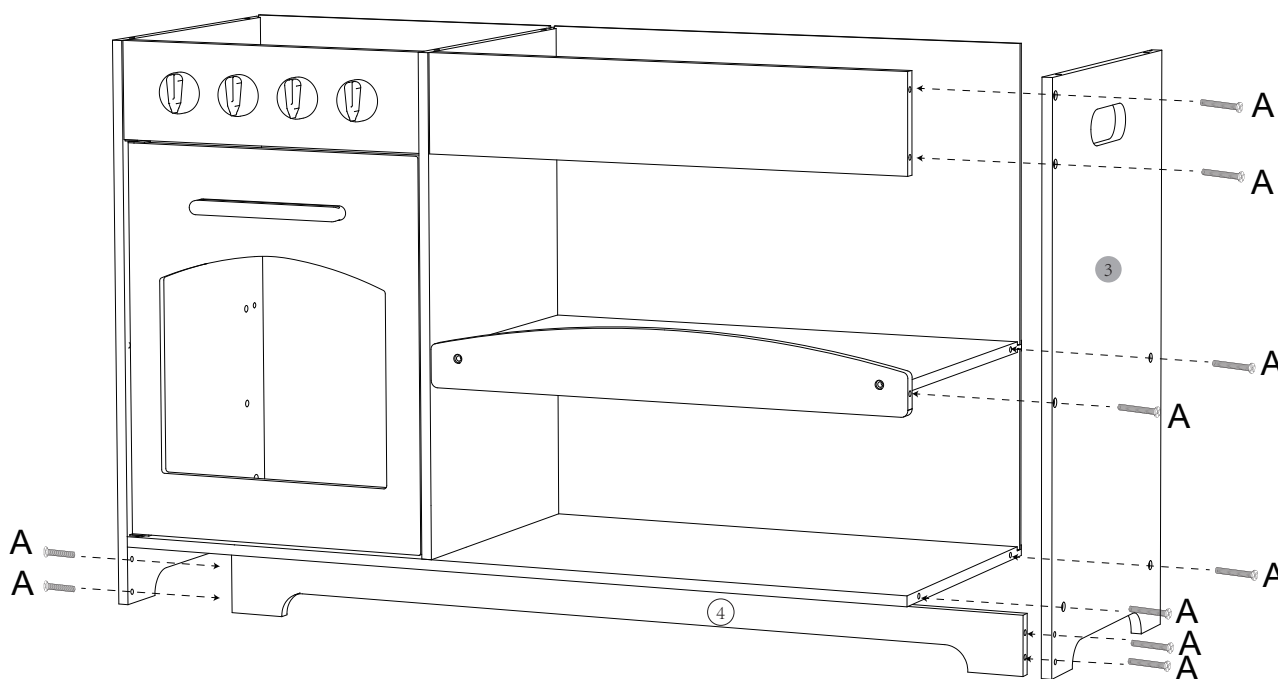
PRODUCT ASSEMBLY

Step 21




Step 22

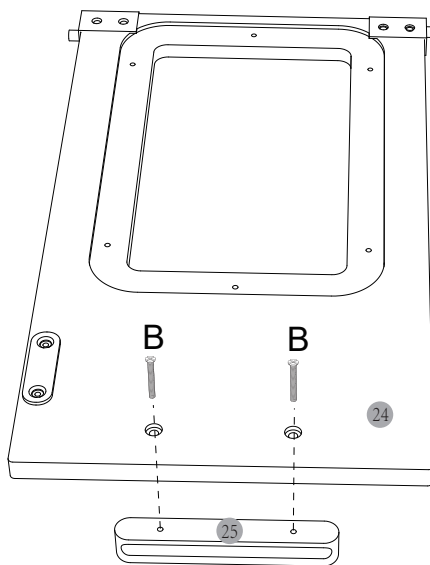
A  10 PCS





PRODUCT ASSEMBLY

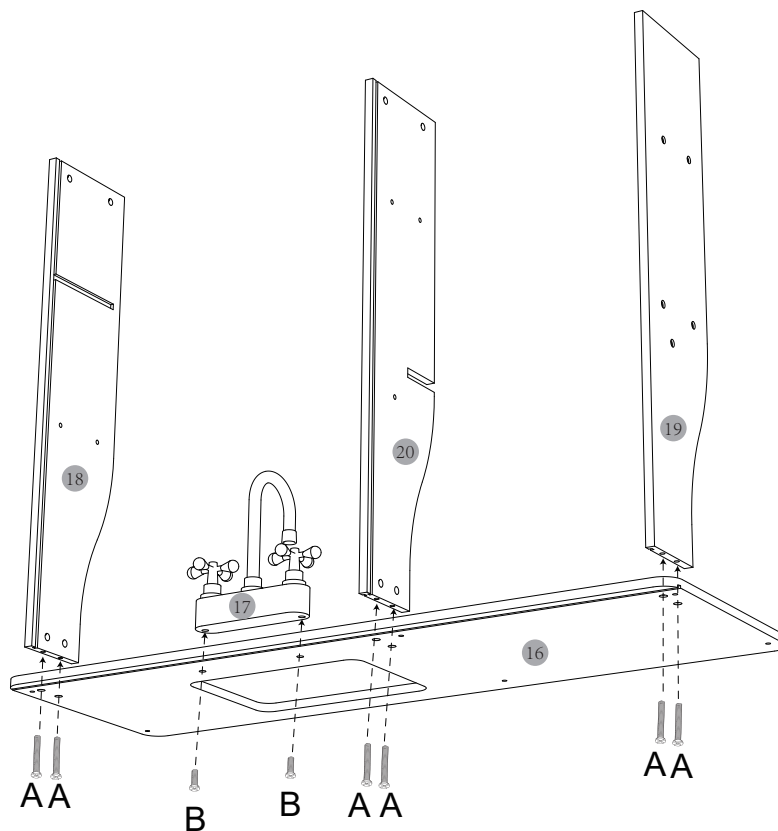
Step 23

B		2 PCS
---	---	-------



Step 24

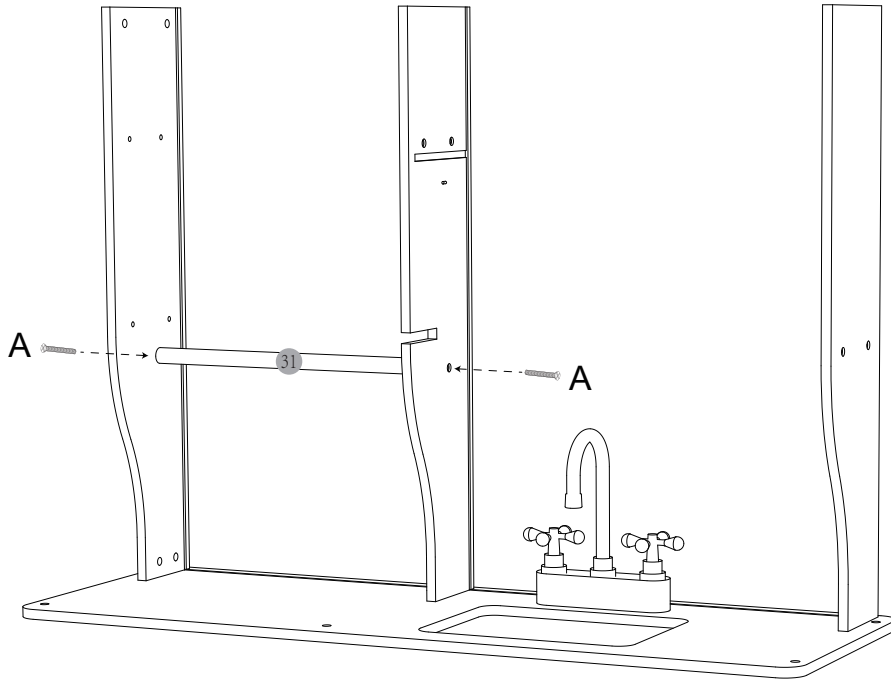
A		6 PCS
B		2 PCS



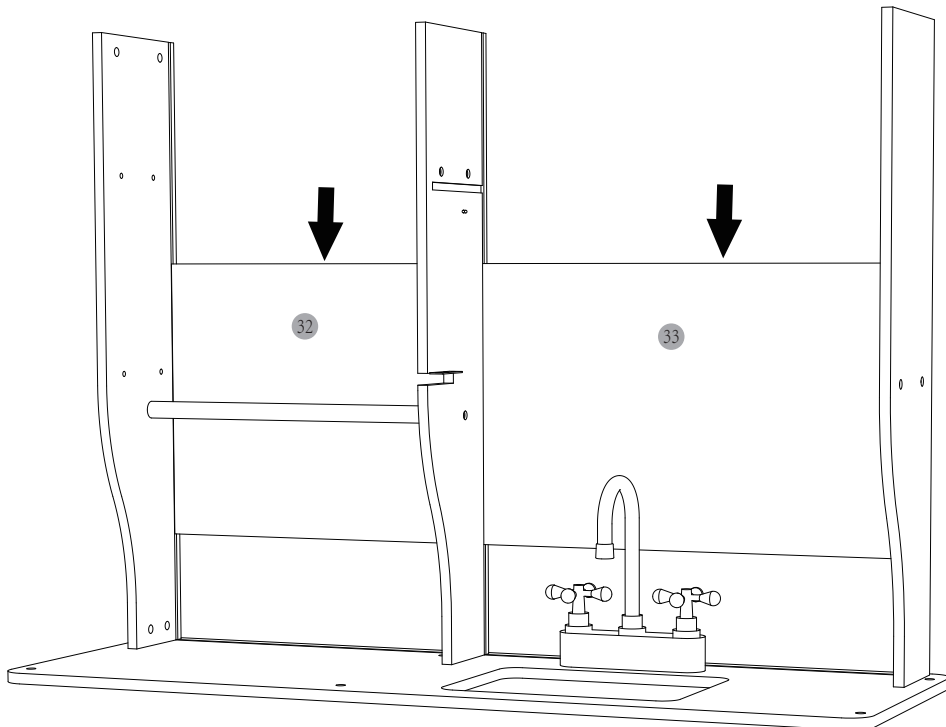
PRODUCT ASSEMBLY

Step 25

A  2 PCS



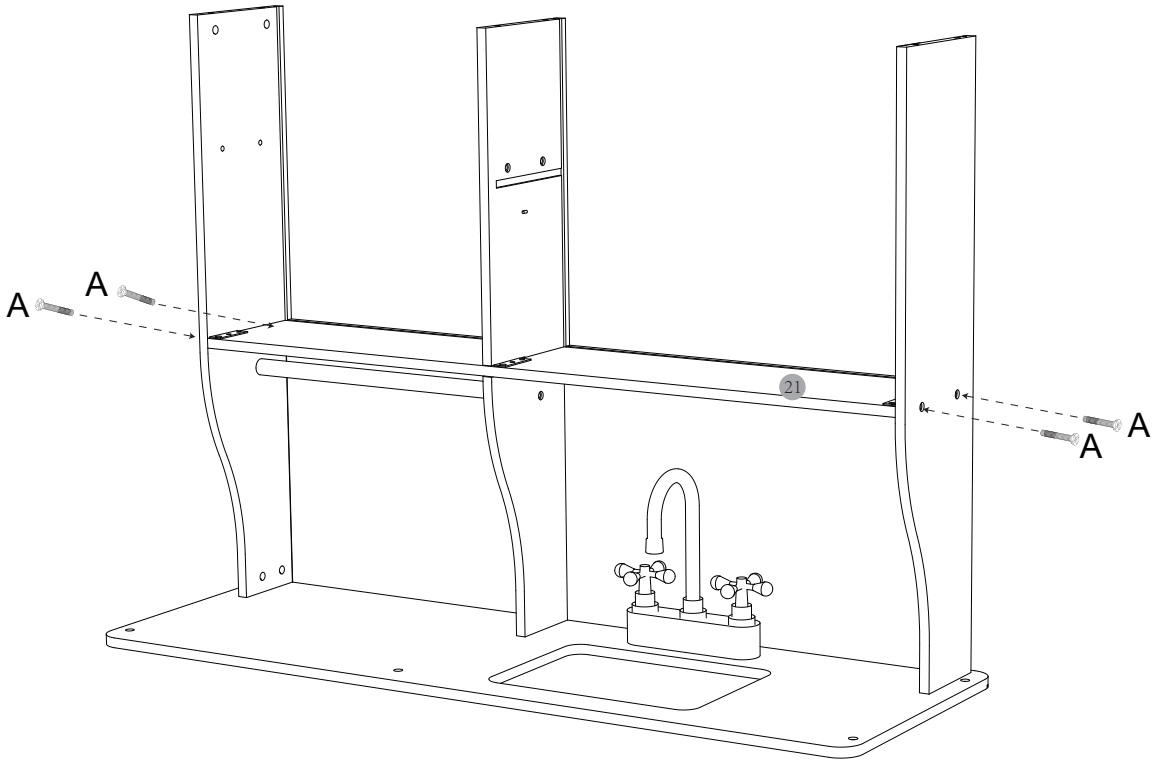
Step 26



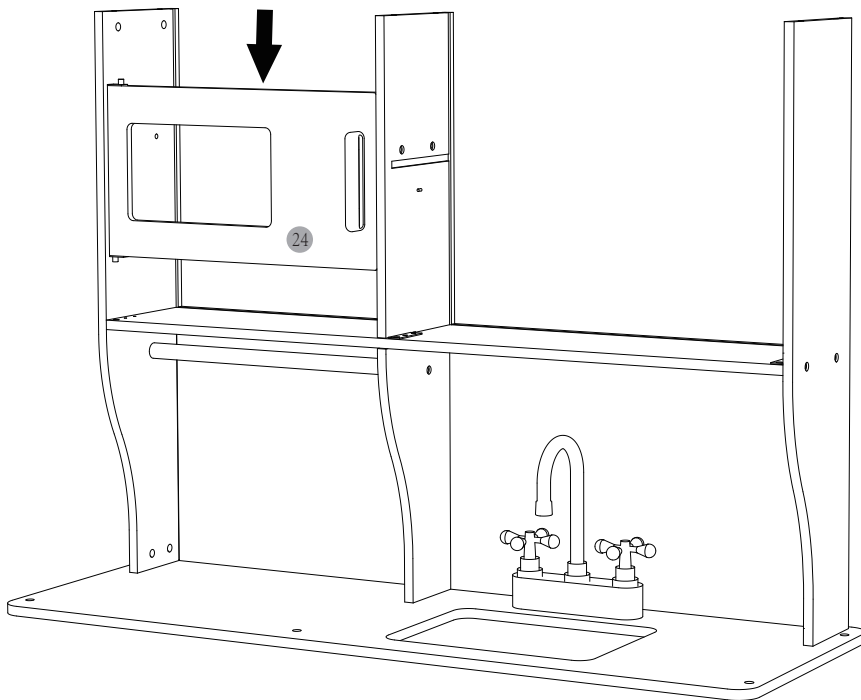
PRODUCT ASSEMBLY

Step 27

A  4 PCS




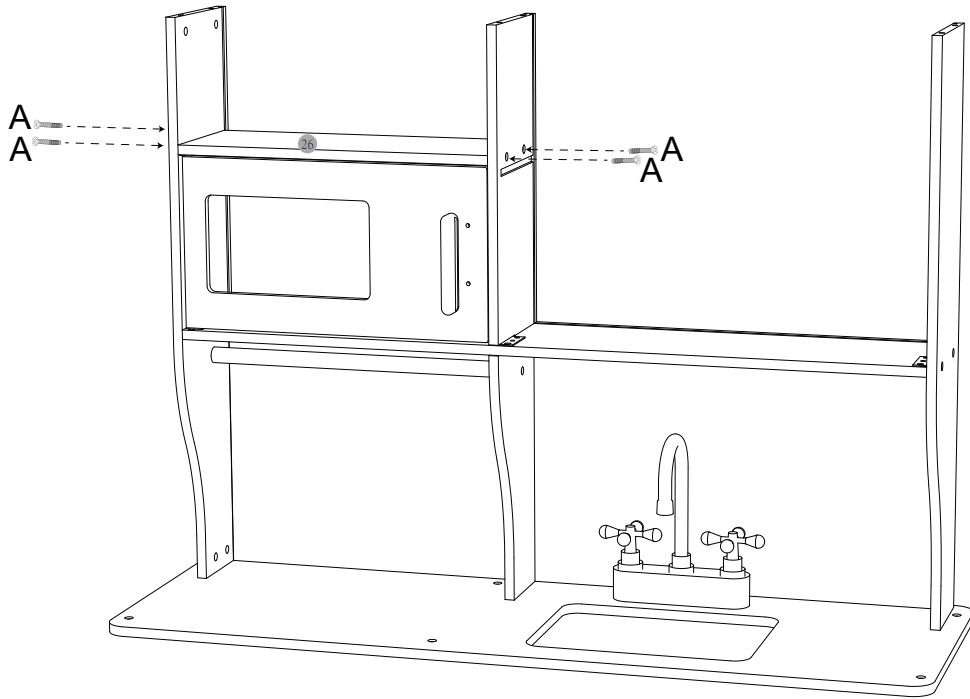
Step 28



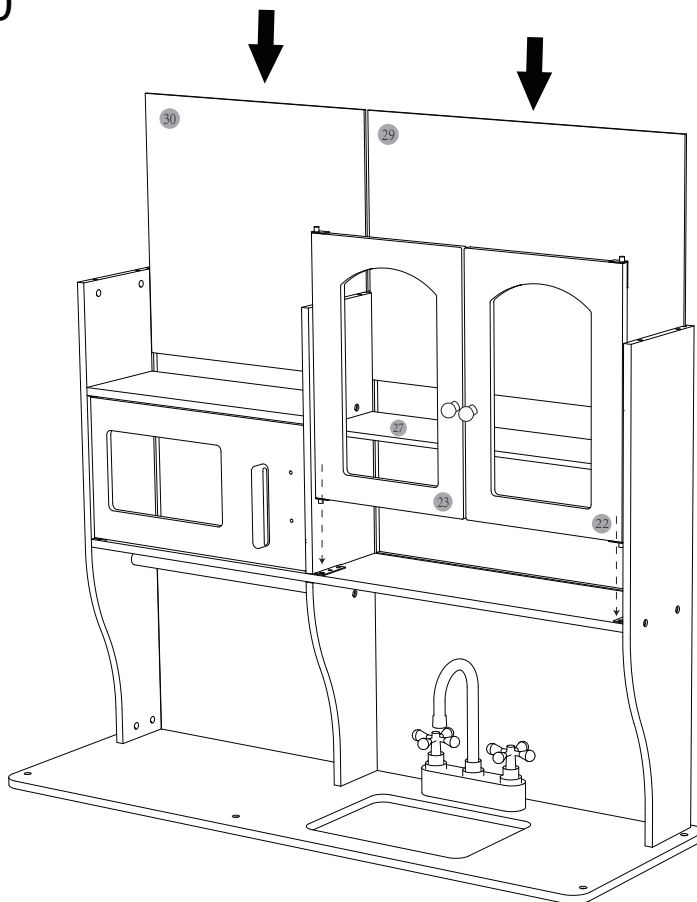
PRODUCT ASSEMBLY

Step 29

A  4 PCS




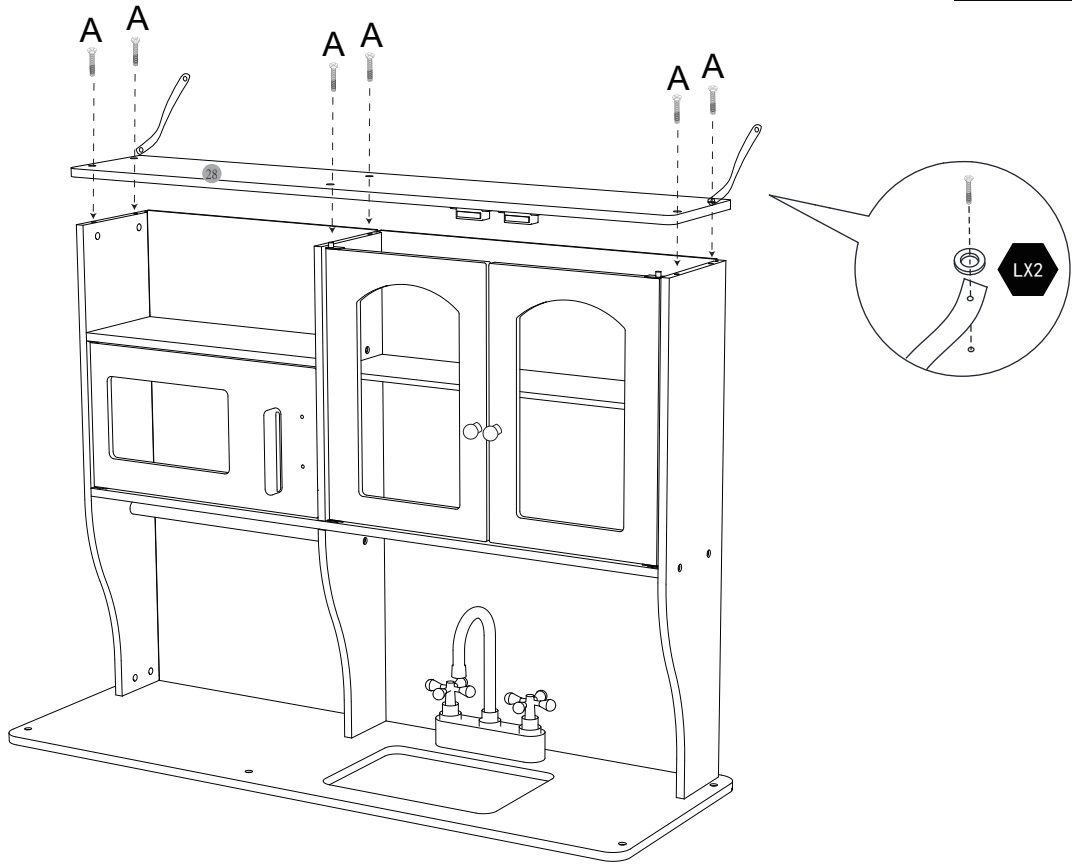
Step 30




PRODUCT ASSEMBLY

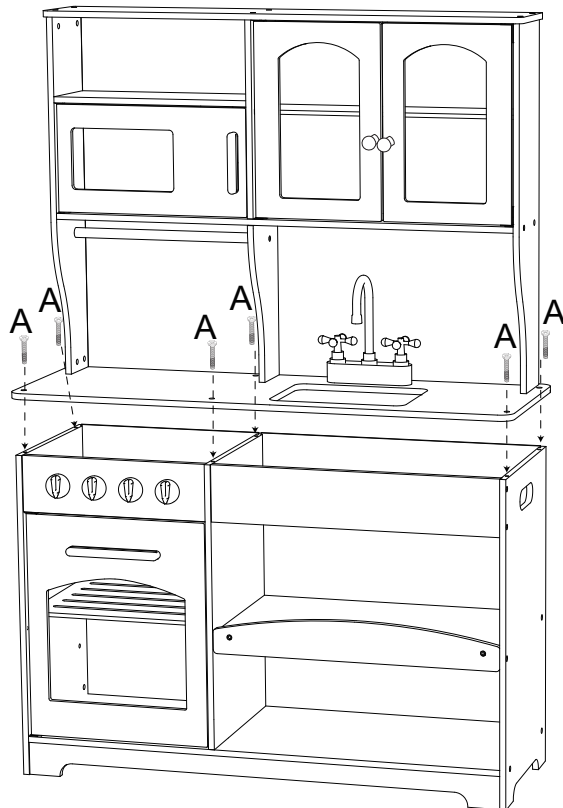
Step 31

A  6 PCS



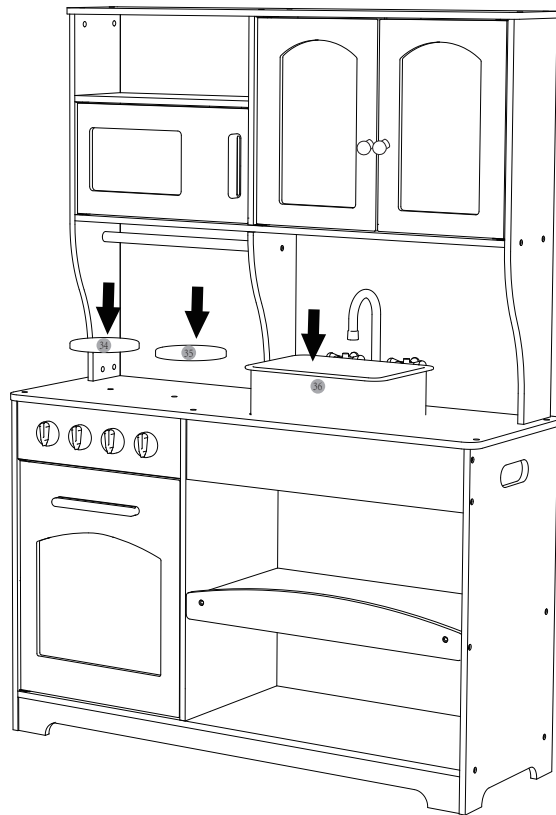
Step 32

A  6 PCS

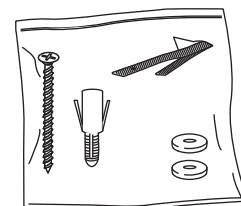
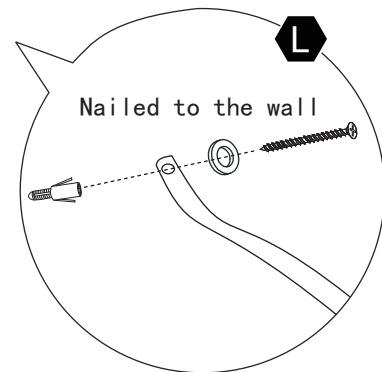
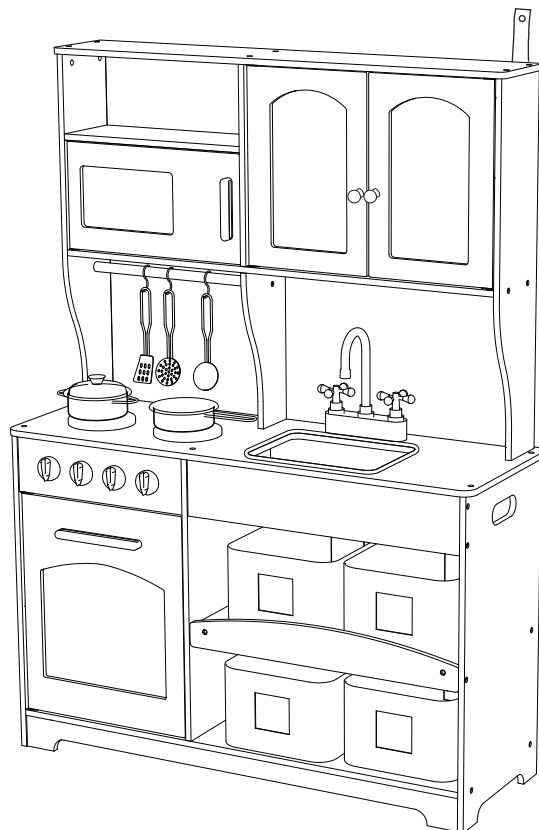


PRODUCT ASSEMBLY

Step 33



Step 34



L

