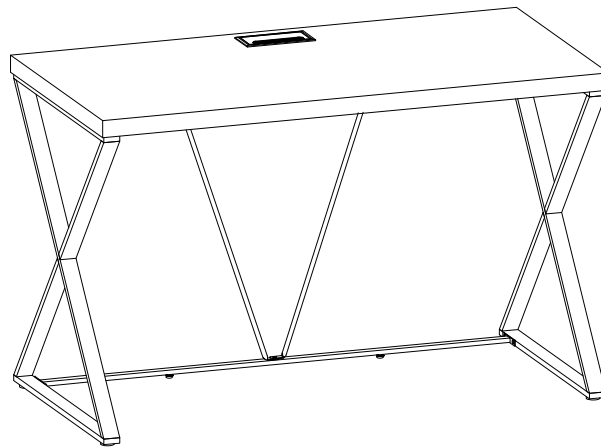

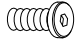
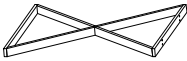
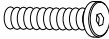
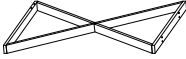
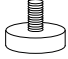






CHAIR & TABLE COMPANY

ASSEMBLY INSTRUCTIONS



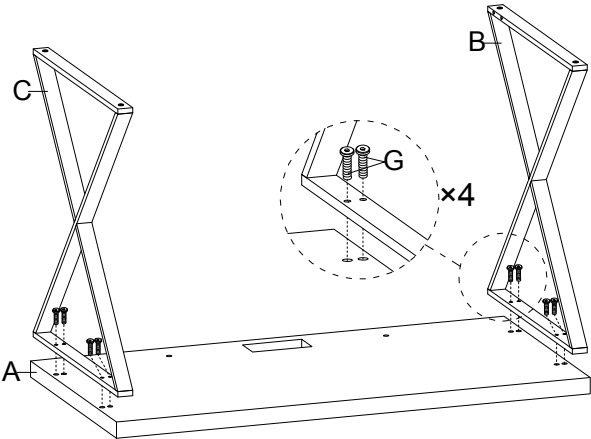
Thank you for purchasing this Chair & Table Company product. This product has been designed for easy assembly and is constructed for durability. Please take the time to read and follow the assembly instructions carefully. If a part or hardware is missing or you have any difficulties in assembling this product, Please contact us.

NO	PART	DESCRIPTION	QTY	NO	PART	DESCRIPTION	QTY
A		Top Panel	1PC	F		Bolt M6×12mm	7PCS
B		Left Metal Leg	1PC	G		Bolt M6×25mm	8PCS
C		Right Metal Leg	1PC	H		Metal Leg Pad Ø30	4PCS
D		Bottom Metal Tube	1PC	I		Metal Leg Pad Ø15	2PCS
E		Back Metal Tube	2PCS	J		Allen Wrench 4×4mm	1PC

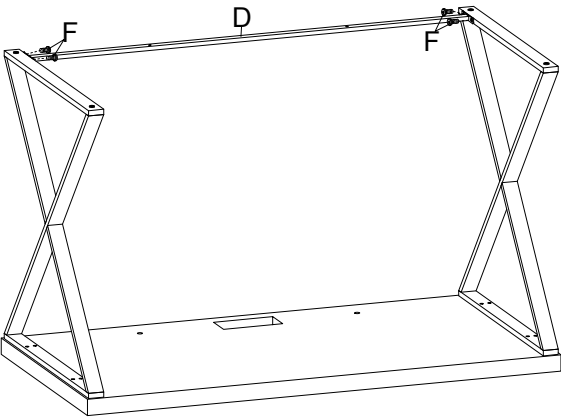
CHAIR & TABLE COMPANY

ASSEMBLY INSTRUCTIONS

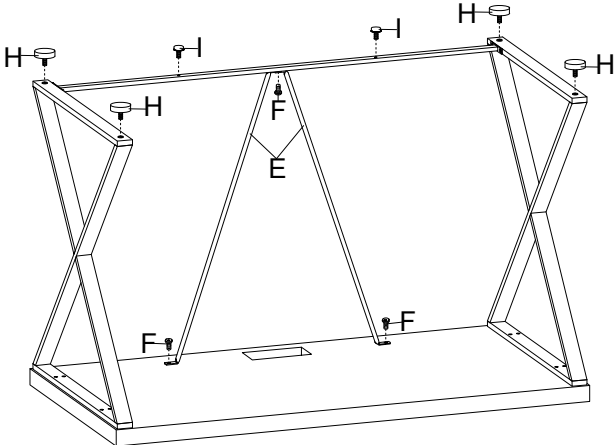
STEP 1



STEP 2



STEP 3



STEP 4

