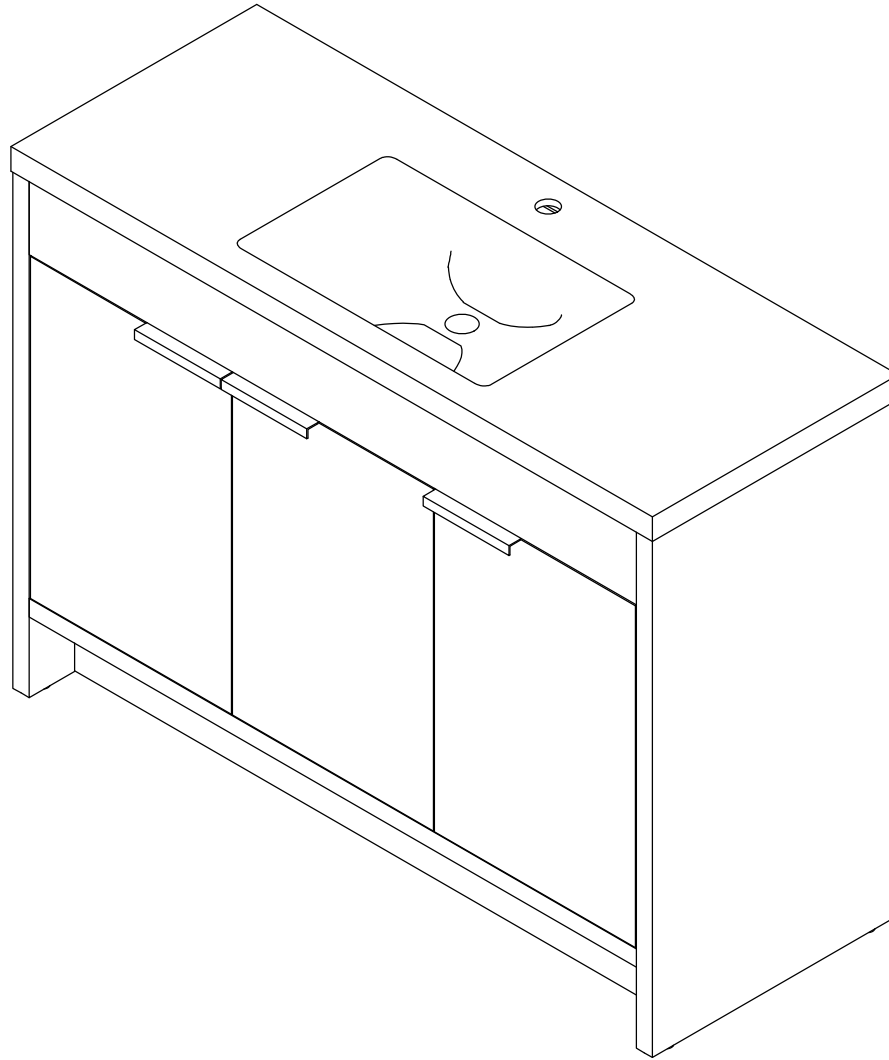
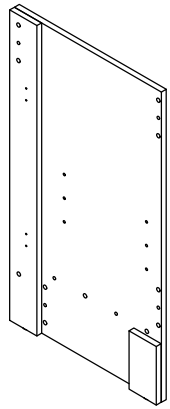


ASSEMBLY INSTRUCTIONS

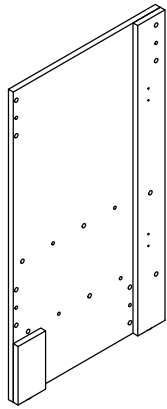
500605-48.



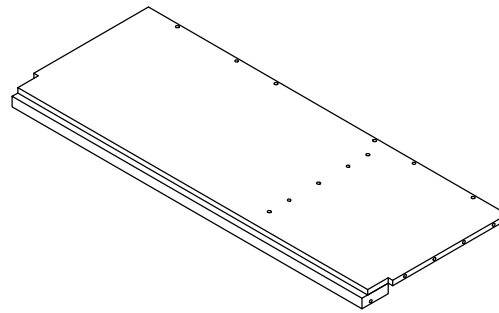
① x1



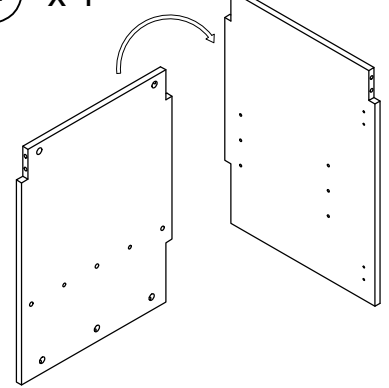
② x1



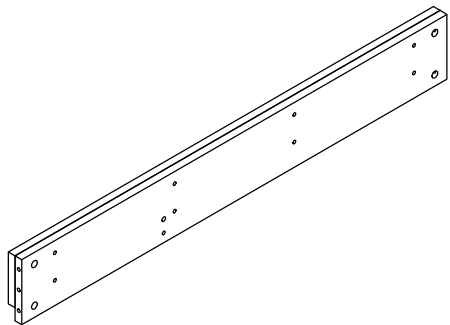
③ x1



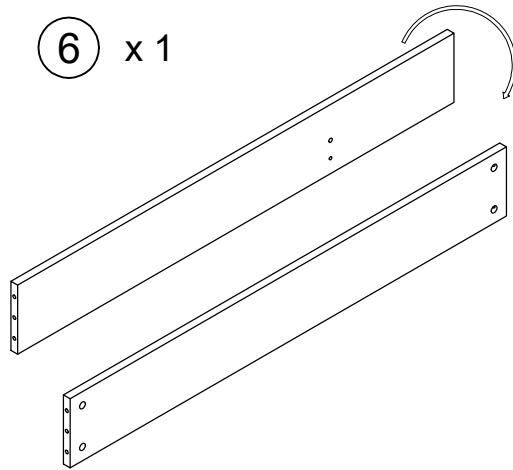
④ x1



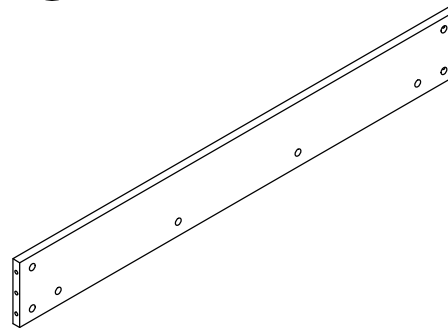
⑤ x1



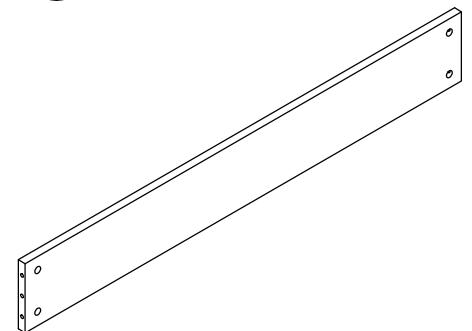
⑥ x1



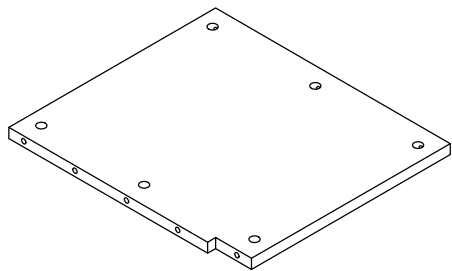
⑦ x1



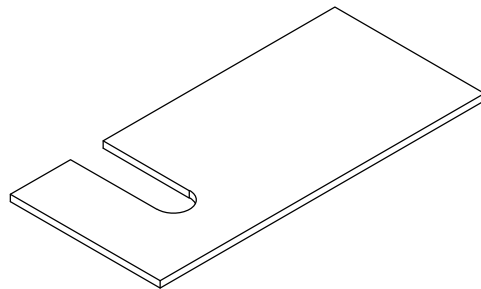
⑧ x1



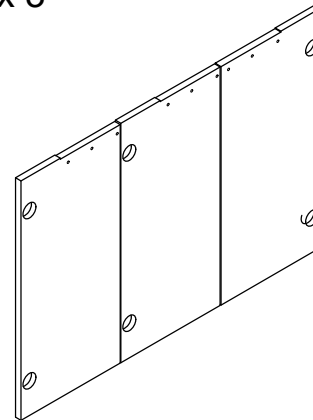
⑨ x1



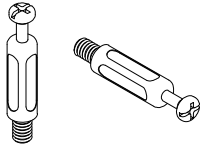
⑩ x1



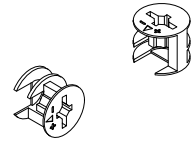
⑪ x3



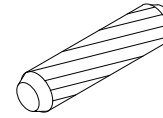
(A) x 37



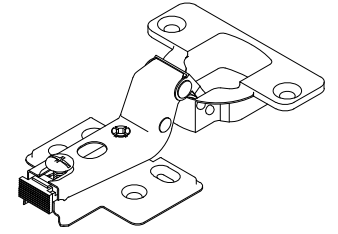
(B) x 37



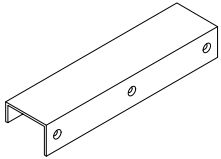
(C) x 22



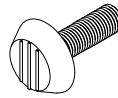
(D) x 4



(E) x 3



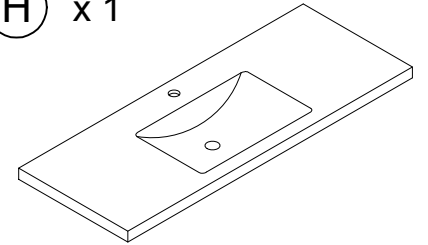
(F) x 4



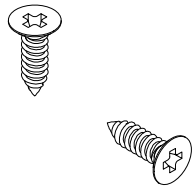
(G) x 4



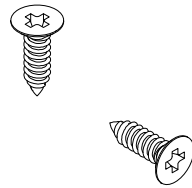
(H) x 1



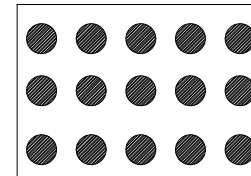
(I) x 36
(3.5*14mm)



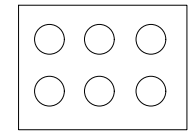
(J) x 9
(3.5*14mm)



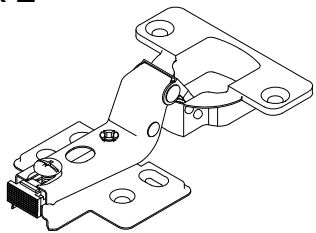
(K) x 37



(L) x 6

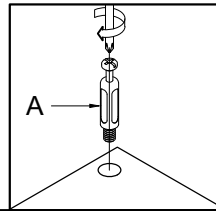
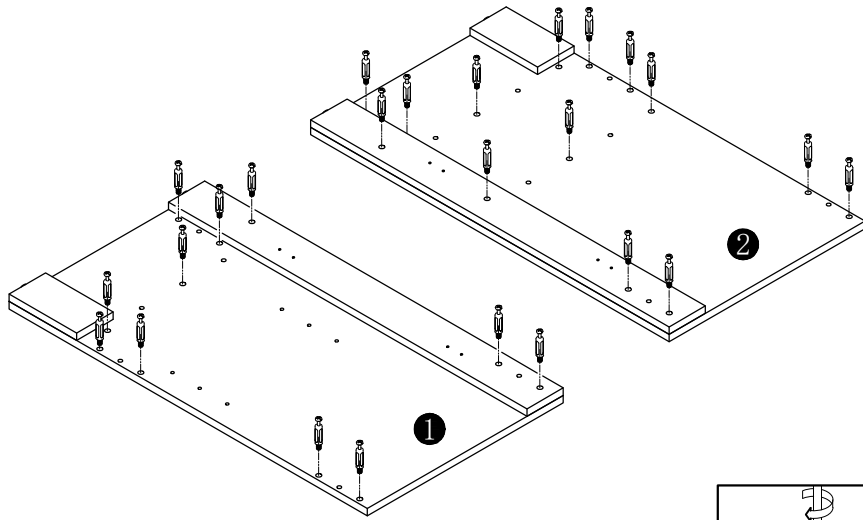


(M) x 2



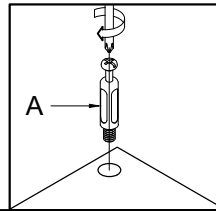
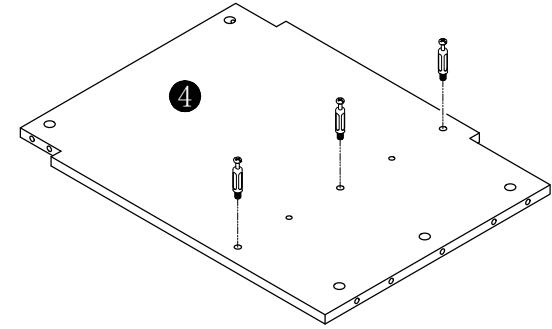
Step 1

(A) x 25



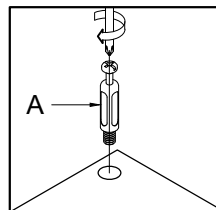
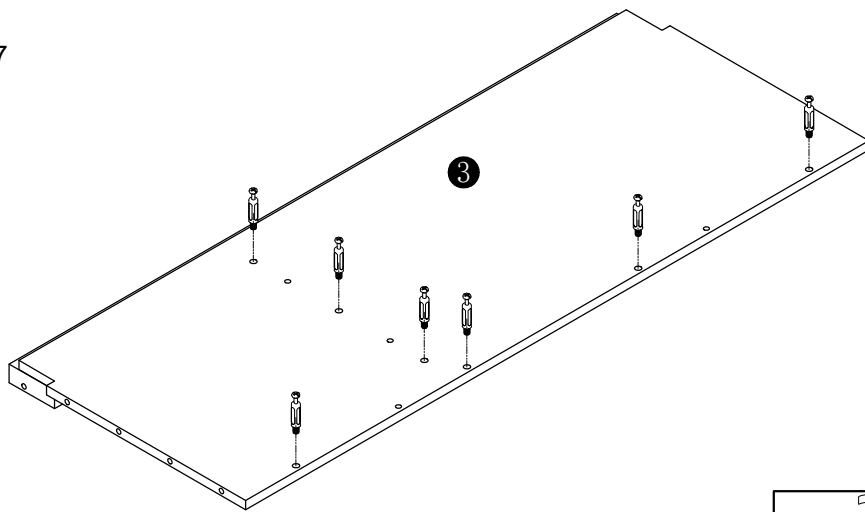
Step 3

(A) x 3



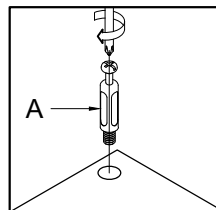
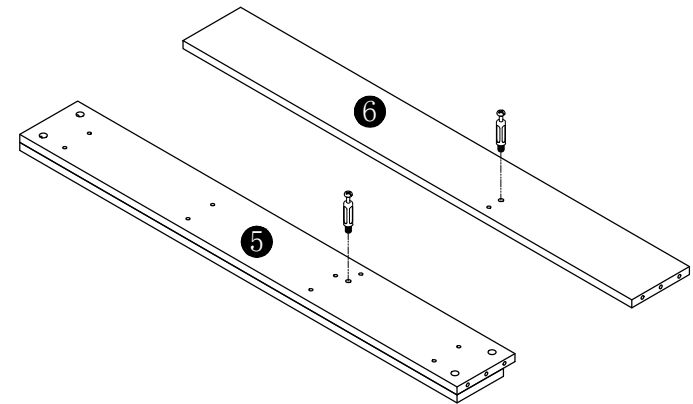
Step 2

(A) x 7



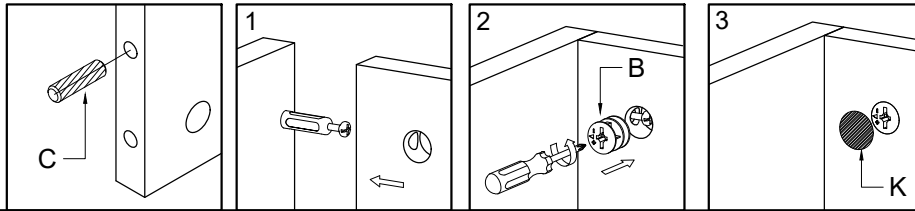
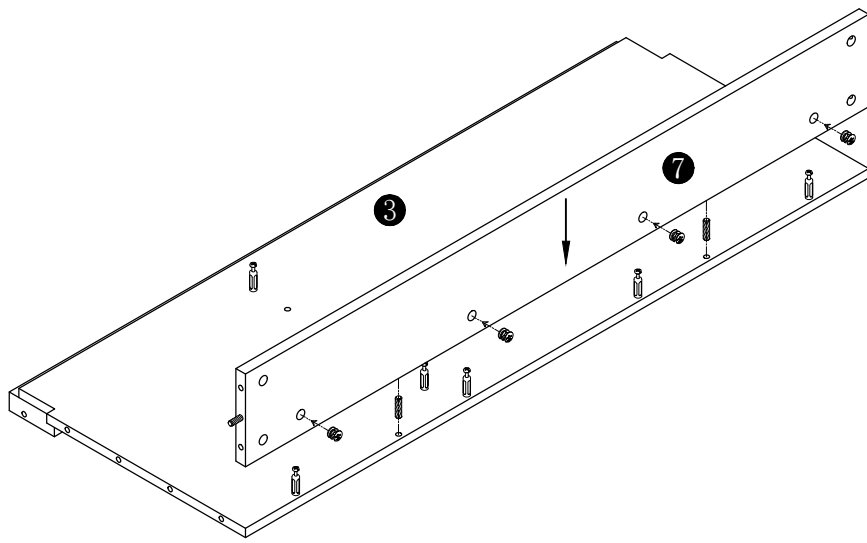
Step 4

(A) x 2



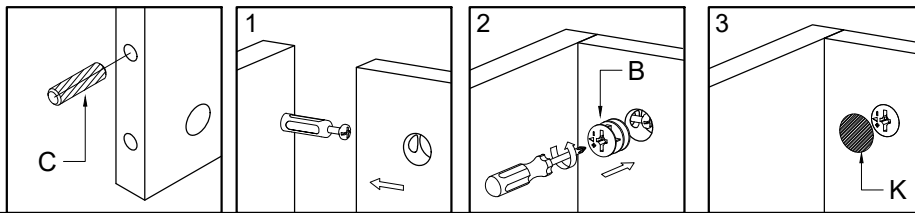
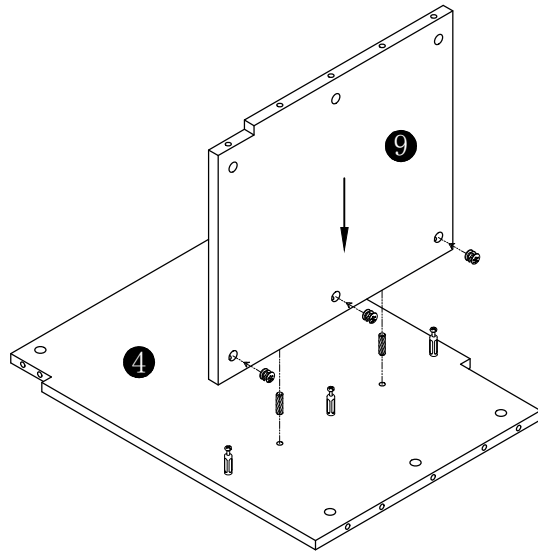
Step 5

- (B) x 4
- (C) x 2
- (K) x 4



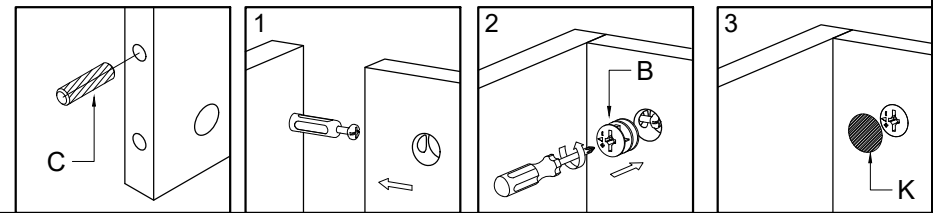
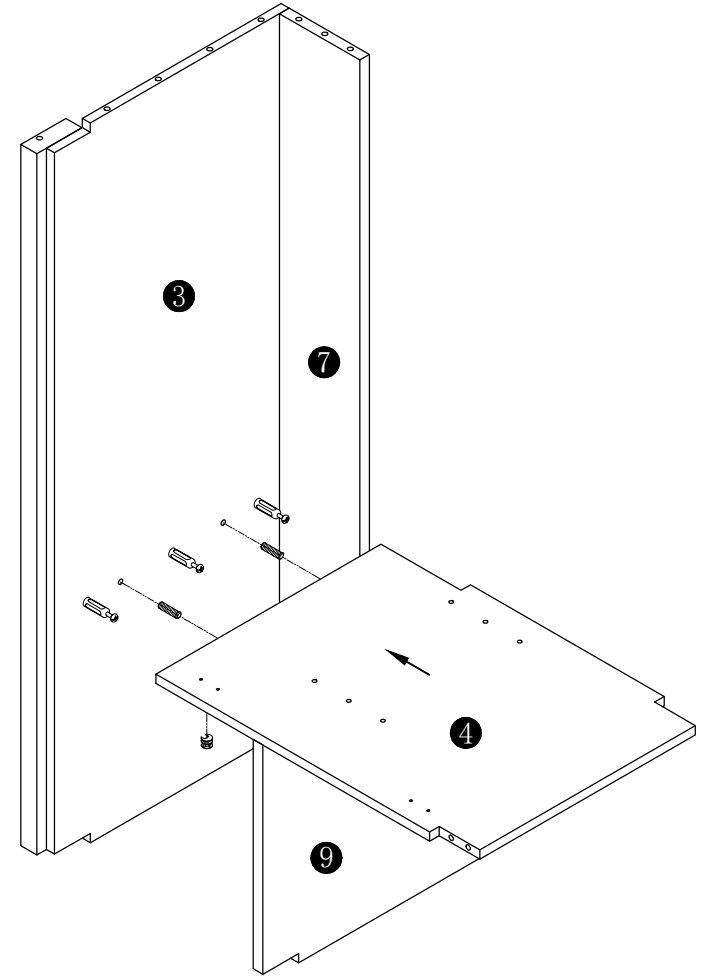
Step 6

- (B) x 3
- (C) x 2
- (K) x 3



Step 7

- (B) x 3
- (C) x 2
- (K) x 3

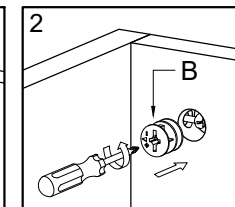
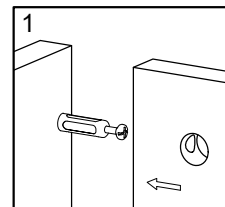
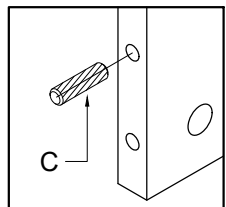
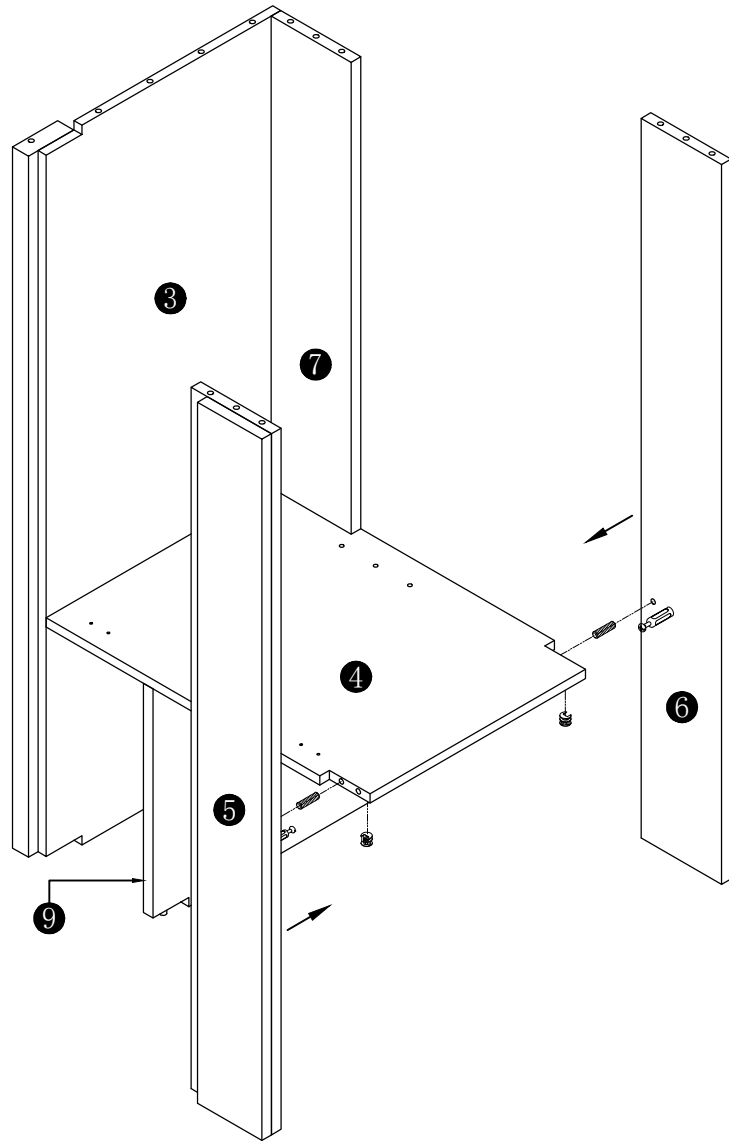


Step 8

(B) x 2

(C) x 2

(K) x 2



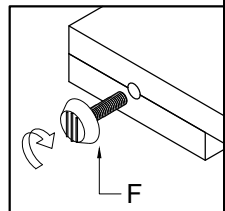
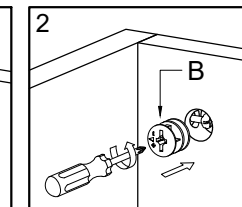
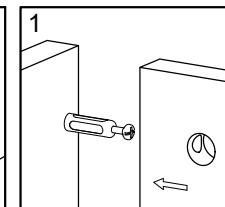
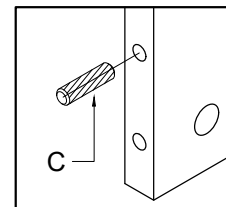
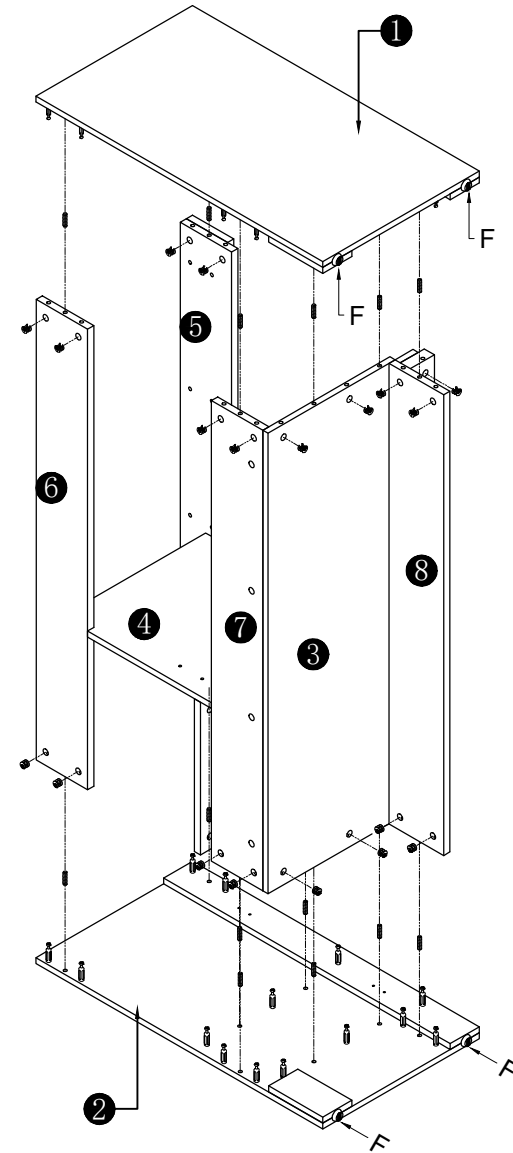
Step 9

(B) x 25

(C) x 16

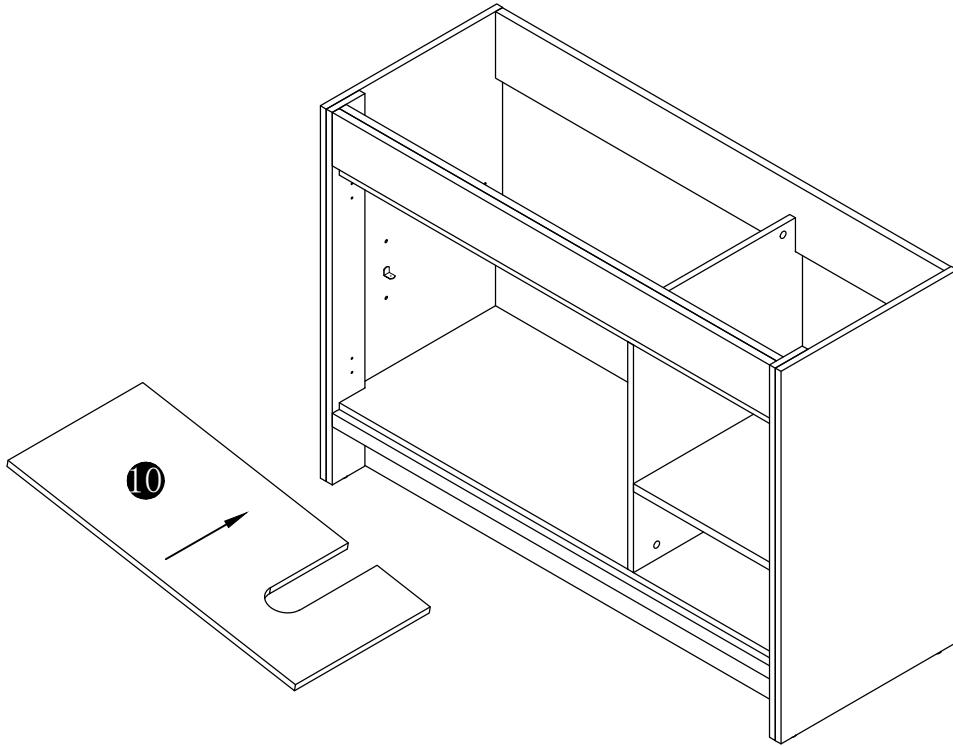
(K) x 25

(F) x 4



Step 10

ⓐ x 4



Step 11

ⓓ x 4

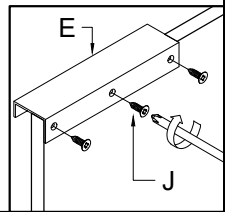
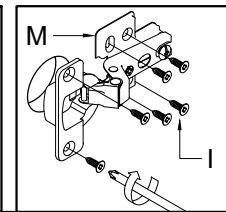
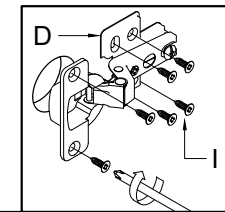
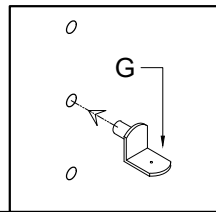
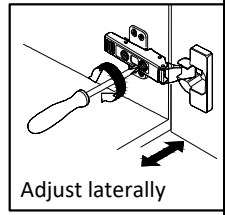
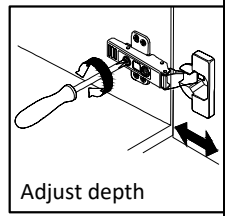
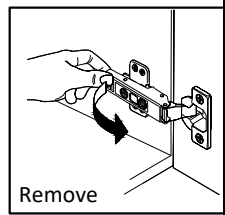
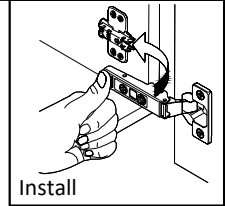
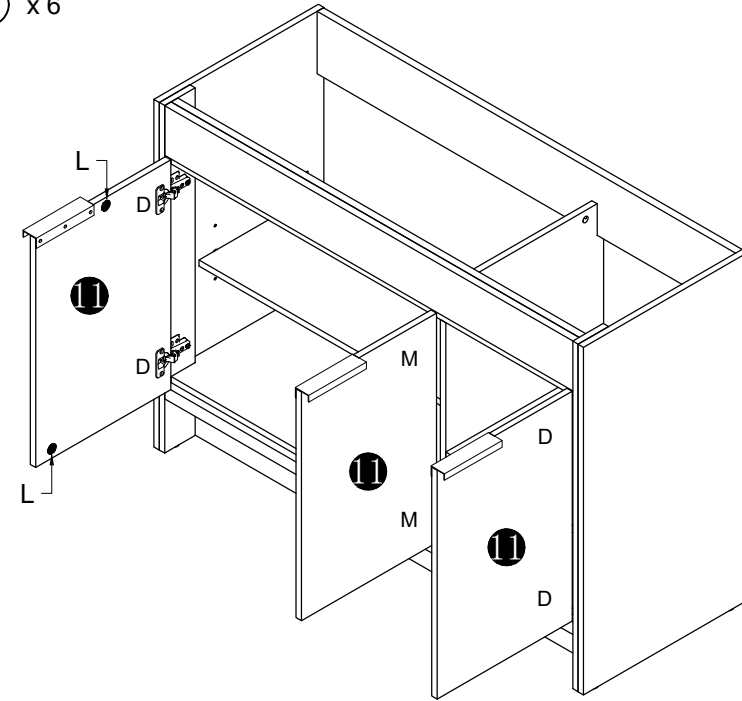
Ⓜ x 2

ⓔ x 3

Ⓦ x 36

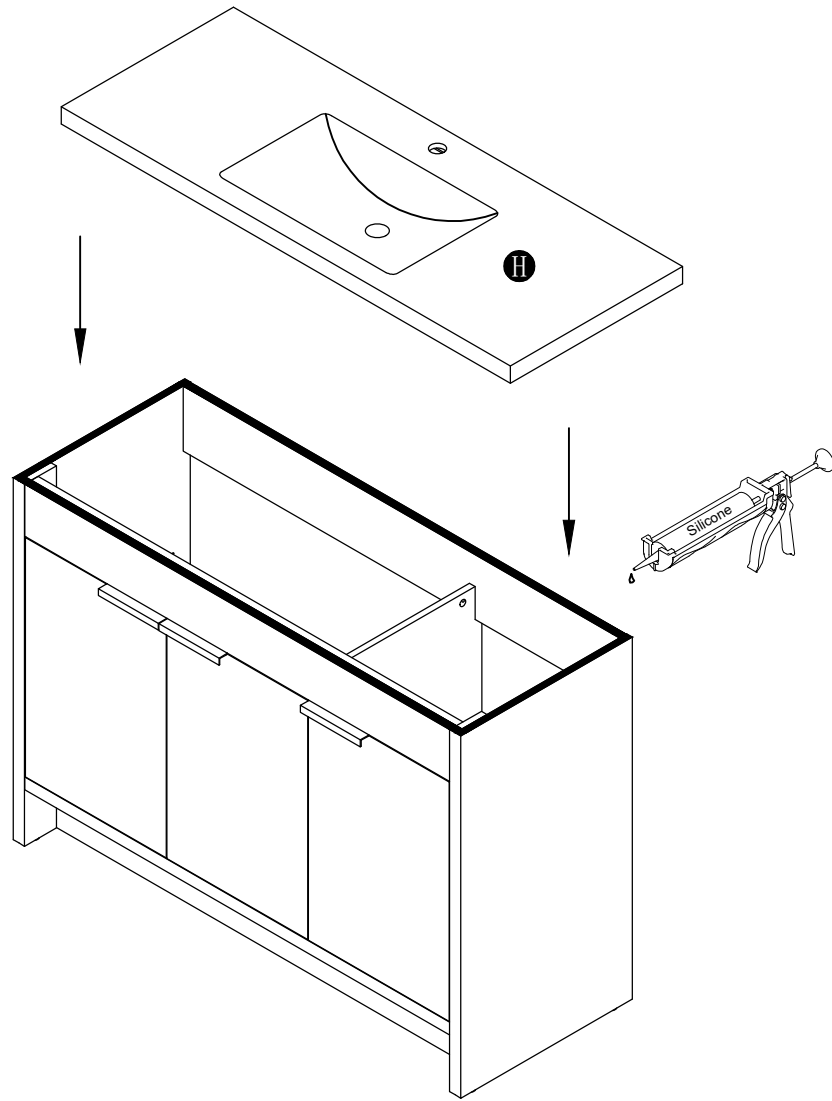
ⓙ x 9

Ⓛ x 6

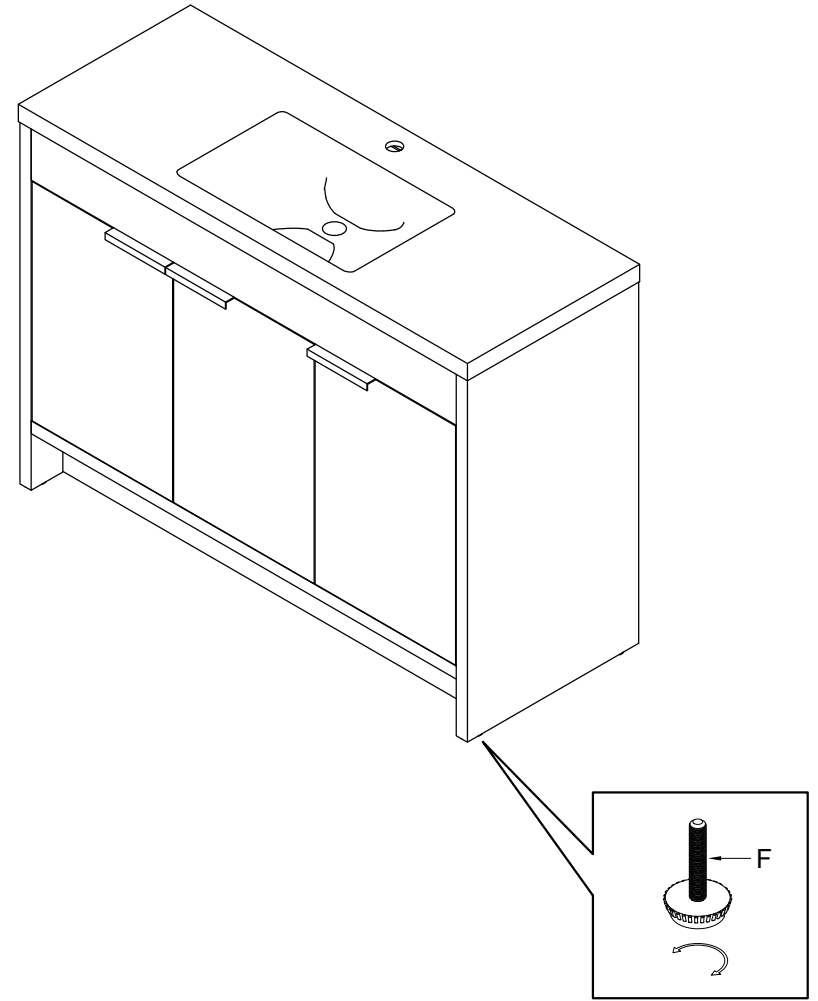


Step 12

(H) x 1



Complete



Keep your **Bellaterra Home** resin sink looking **beautiful** and performing at its **best** by following these simple care instructions.

Initial Cleaning (Upon Receipt)

- Use a **neutral, transparent cleaning agent** to clean the surface.
 - Wipe thoroughly with a **clean, lint-free towel** until completely dry.
-
-

Matte-Finish Sink Care

- If you notice **fine particles** on the surface, use the **included sandpaper** to **gently sand** in a **single, consistent direction**.
 - Apply **light pressure** to avoid surface damage.
-
-

Prevent Scratches

- Avoid placing **sharp or hard objects** (e.g., knives, nail files, metal clips) directly on the basin.
 - Use **anti-slip pads** or **soft coasters** under soap dishes, cosmetic containers, and other bathroom items to reduce friction and prevent scratches.
-
-

Avoid Harsh Chemicals

- **Do not use** strong acidic or alkaline cleaners, such as **toilet bowl cleaners** or **concentrated descalers**.
 - These can **corrode, discolor,** or **dull** the resin surface.
 - Always choose **mild, neutral cleaning products** for daily maintenance.
-
-





Remove Stains Promptly

- Wipe off **colored liquids** (e.g., hair dye, tinted cleansers, colored mouthwash) and **pigmented cosmetics** immediately.
 - Use a **neutral cleaning agent** to prevent stains from setting into the resin surface.
-
-

Protect from Sunlight

- Avoid exposing your sink to **direct sunlight** or **high heat** for prolonged periods.
 - Excessive exposure may cause **fading, discoloration,** or **surface cracking**.
-
-

Quick Tips

-  Clean regularly using mild products
 -  Wipe dry after each use to maintain shine
 -  Do not scrub aggressively
 -  Do not expose to extreme temperatures
-
-

Need Help? We're Here for You!

- If you have any questions or issues with your resin sink top, please feel free to contact us.
- If possible, include images or a short video of the problem area when emailing us.
- This helps us troubleshoot issues quickly and provide faster support.

Bellaterra Home Customer Support

Email: info@bellaterrahome.com

Phone: 1-888-928-9918

Website: www.bellaterrahomes.com