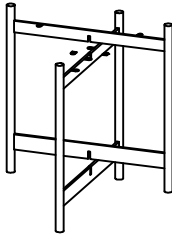


# Assembly Instruction

## SIDE TABLE

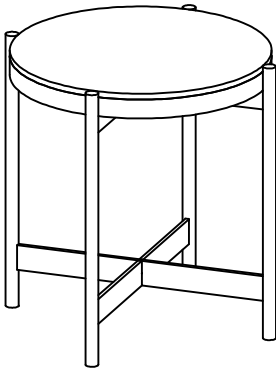
### CONTENTS



METAL LEGS 2 X



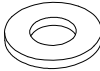
TOP 1X



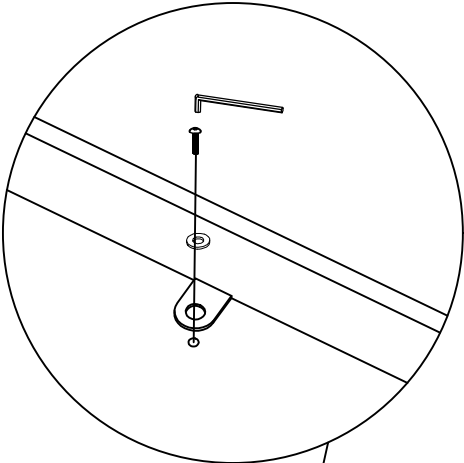
ALLEN ROUND HEAD  
(20MM X 6MM ) 8X



ALLEN KEY (4MM) 1X



WASHER (20MM) 8X



### STEP 1

### FINAL

