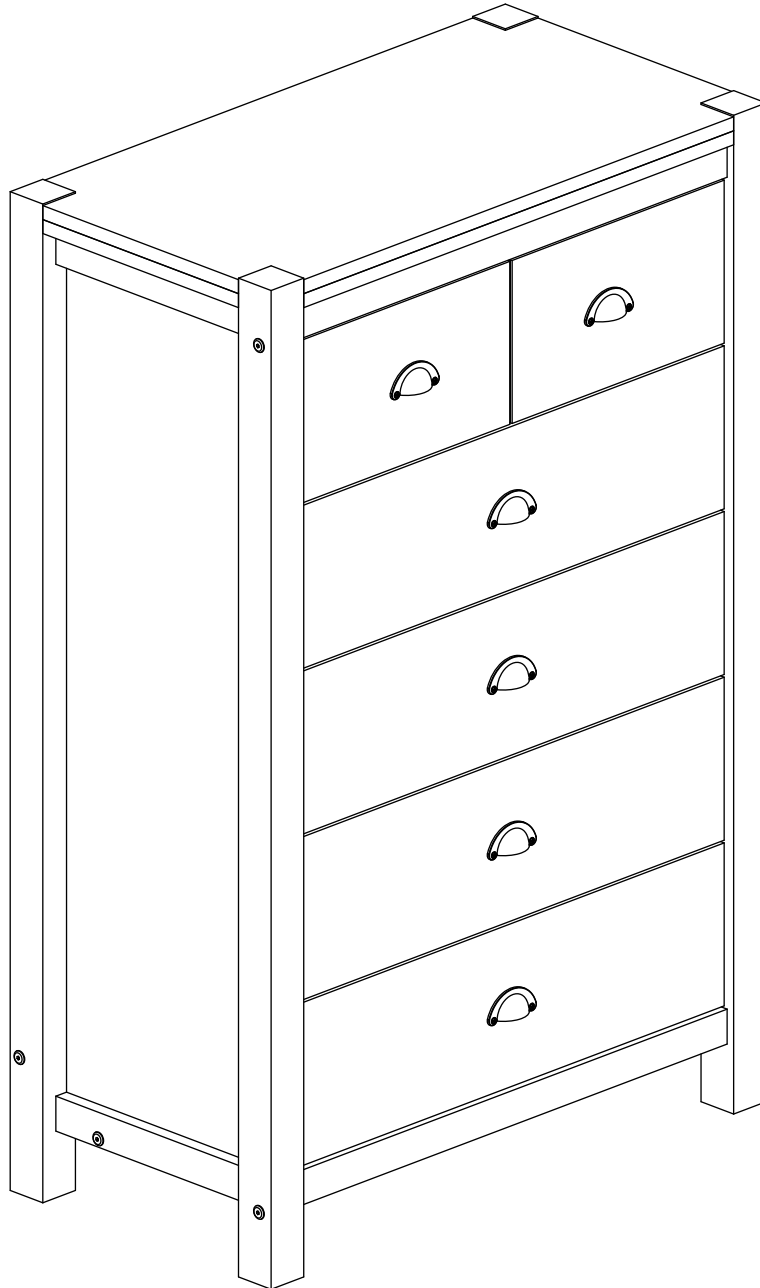


RUSTIC 5 DRAWER CHEST

ASSEMBLY INSTRUCTIONS

SKU 6519KK RUSTIC DARK
SKU 6525KK RUSTIC LIGHT

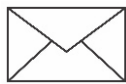


IMPORTANT PLEASE READ BEFORE YOU CONTINUE FURTHER FOR DOMESTIC USE ONLY CARE AND MAINTENANCE

- After unpacking this product please keep the original packaging in case it needs to be returned for any reason.
- Please ensure all fittings and parts are present before commencing with assembly.
- We recommend that you lay a blanket or sheet on the floor to avoid damage to both your floor and the product.
- We strongly recommend that you keep children away from your work area.
- Assemble this product as close to its final position as possible
- Never drag or push products as this could cause damage to the joints making it inferior.
- Do not drag or push items across your furniture as this may cause the surface to scratch.
- Do not place this product next to radiator or in direct sunlight.
- Wood is a natural product and may expand if subjected to damp and may shrink or crack if subjected to heat. Therefore it is recommended that room temperature is maintained, with no sudden temperature fluctuations.
- Make sure any spillage is Wiped off immediately.
- Do not place hot or chilled items directly on to the surface, use a place mat or marking will occur.
- For general cleaning use soft cotton or micro fibre cloth and do not use detergents of any kind.
- Do not place on a wet or damp floor as staining may occur to your floor.
- From time to time it may be necessary to tighten fittings, regular inspections should be carried out.

how to contact us:

More details how to assemble your product at: seconique-us.com then follows:



info@seconiqueus.com



seconique-us.com

seconique-us.com



seconique-us.com

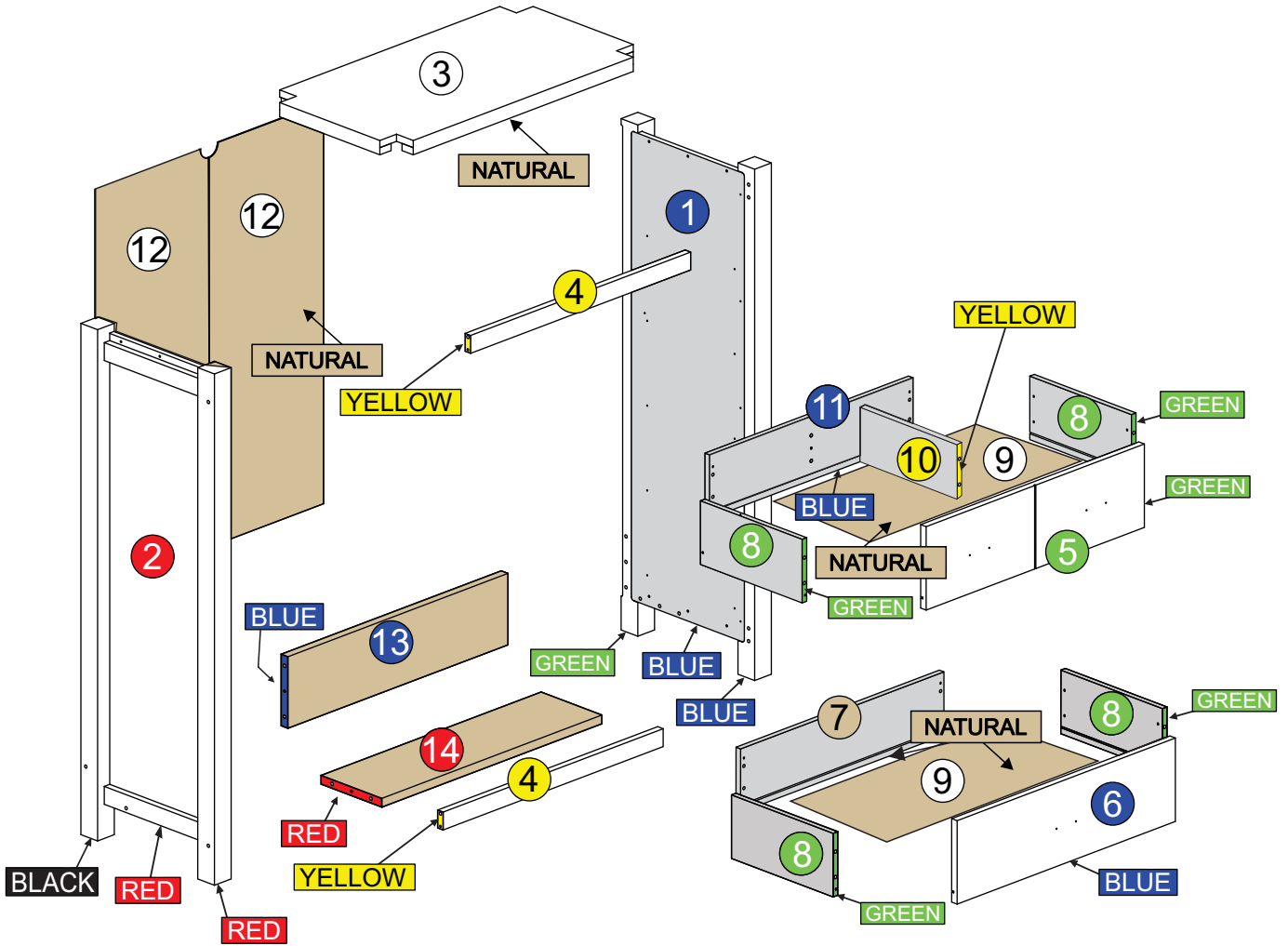
 YouTube



[seconique US](https://www.youtube.com/seconiqueUS)



[@seconiqueus](https://www.instagram.com/seconiqueus)



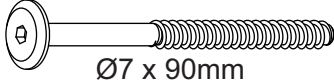


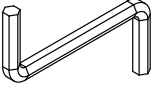
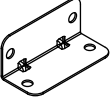

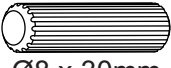
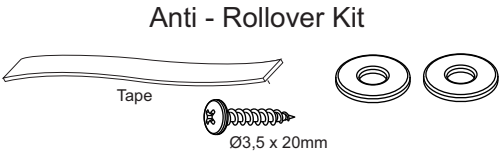

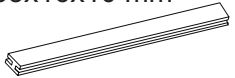




Please Note:

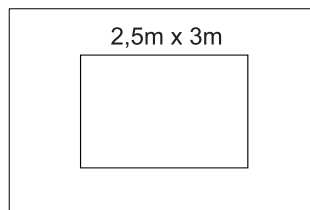
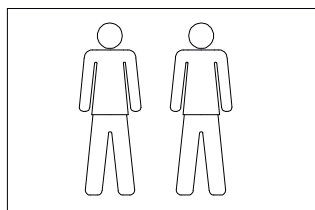
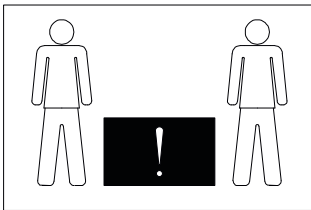
The parts below have been stamped with the part number/color to help identify them during assembly

PARTS LIST

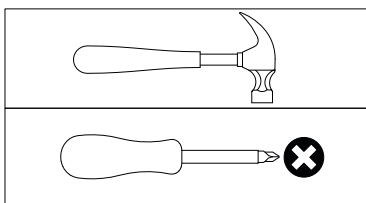
Part Number/ Color	Part Description	Quantity	Carton
1	Right side panel (BLUE)	1	1/2
2	Left side panel (RED)	1	1/2
3	Top panel (NATURAL)	1	2/2
4	Connecting rail (YELLOW)	2	2/2
5	Upper drawer front (GREEN)	1	2/2
6	Bottom drawer front (BLUE)	4	2/2
7	Drawer back panel (NATURAL)	4	1/2
8	Right/Left drawer side panel (GREEN)	10	1/2
9	Drawer bottom panel (NATURAL)	5	1/2
10	Drawer divider (YELLOW)	1	1/2
11	Upper Drawer back panel (BLUE)	1	1/2
12	Back panel (NATURAL)	2	1/2
13	Lower back rail (BLUE)	1	2/2
14	Lower rail (RED)	1	2/2

FITTINGS

A	 Ø7 x 90mm	06	J	 Ø3,5 x 14mm	106
B	 Ø7 x 70mm	02	K		01
C	 Metal bracket	11	L	 Glue	01
D	 Ø8 x 30mm	56	M	 Anti - Rollover Kit	01
E	 Ø4,0 x 35mm	27	N	 Perfil «H» 955x16x10 mm	01
F	 Ø3,5 x 16mm	12			
G	 Cup handle	06			
H	 Nail 10x10	20			
I		05			



TOOLS REQUIRED

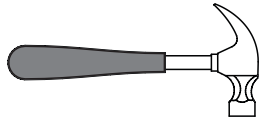
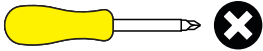


*** Use of power tools to assemble this product will invalidate any claim and damage this product making it unsafe !!!**
*** Please assemble on a clean soft surface to avoid damage.**

*** Please check contents and read the instructions before commencing assembly.**
*** Assemble this product following the enclosed instructions carefully.**
*** Please take care to avoid damaging panels during assembly.**

STEP 1

TOOLS REQUIRED



PARTS REQUIRED

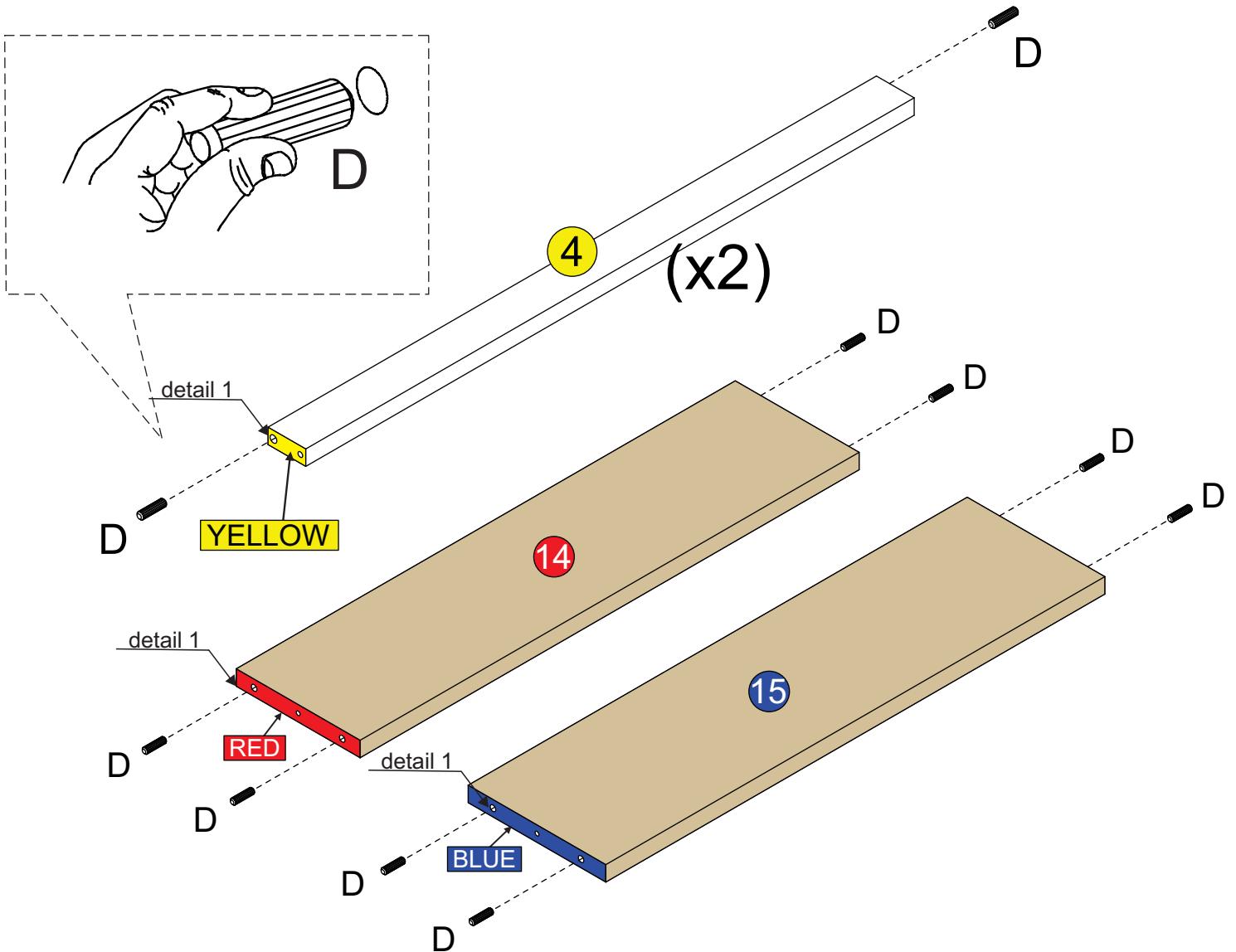
4 - Connecting rail (YELLOW)x2

14 - Lower back rail (RED) x1

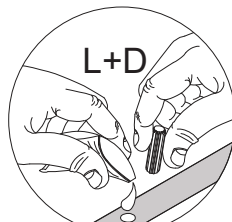
15 - Lower rail (BLUE) x1

HARDWARE REQUIRED

D	 Ø8 x 30mm	12
L	 Glue	01



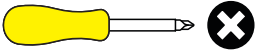
Please assemble on a clean soft surface to avoid damage.



Detail 1

STEP 2

TOOLS REQUIRED

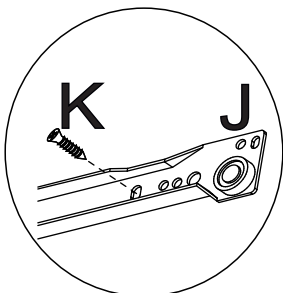
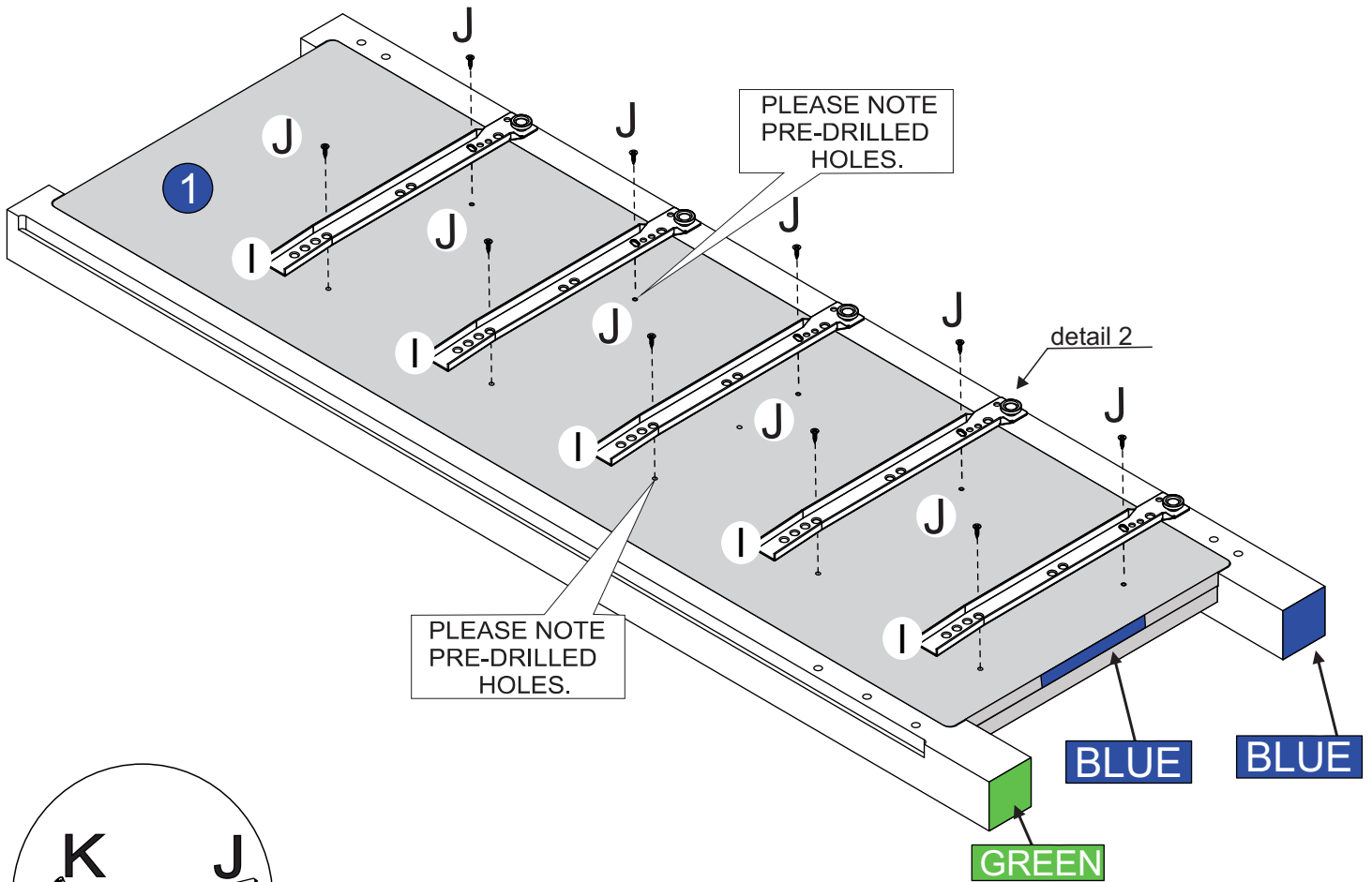


PARTS REQUIRED

1 - Right side panel (BLUE / GREEN) x1

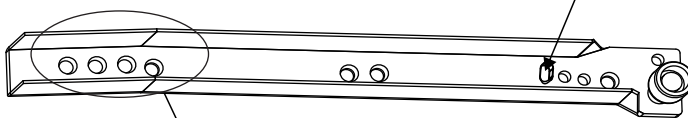
HARDWARE REQUIRED

J		05
K	 Ø3,5 x 14mm	10



Detail 2 Right

FOURTH HOLE (LINE UP WITH PRE-DRILLED HOLE)



PRE MARKING HOLE





Please assemble on a clean soft surface to avoid damage.

STEP 3

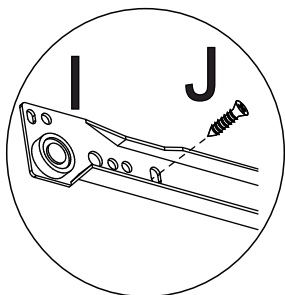
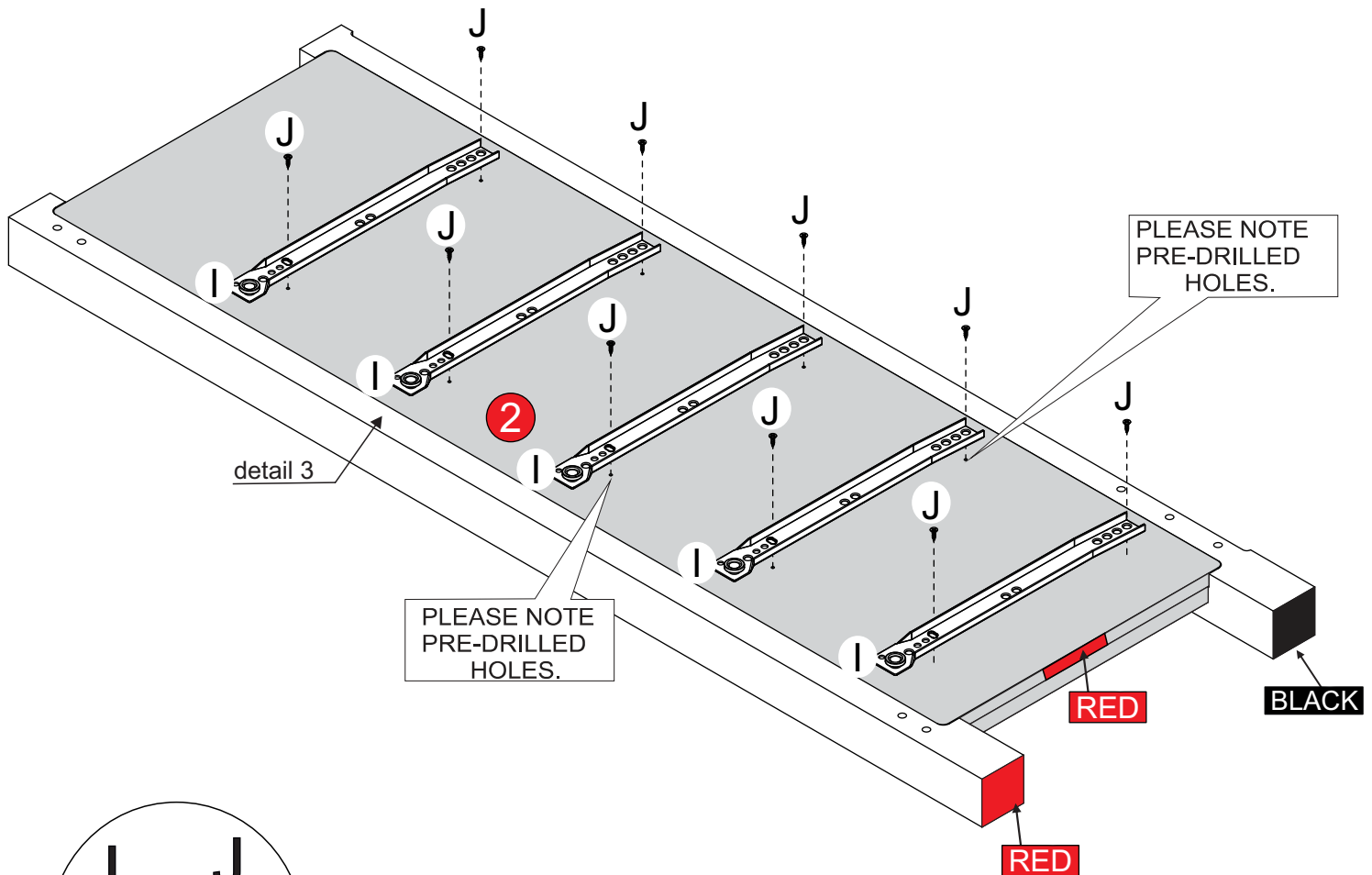
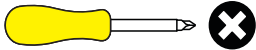
PARTS REQUIRED

2 - Left side panel (RED / BLACK) x1

HARDWARE REQUIRED

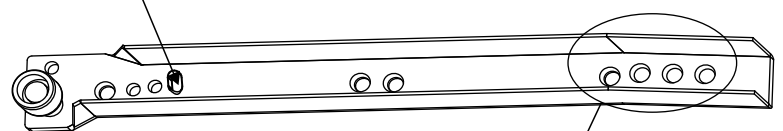
J		05
K	 Ø3,5 x 14mm	10

TOOLS REQUIRED



Detail 3 Left

FOURTH HOLE (LINE UP WITH PRE-DRILLED HOLE)



PRE MARKING HOLE



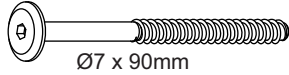
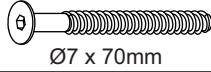
Please assemble on a clean soft surface to avoid damage.

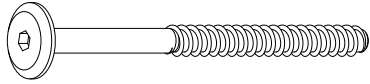
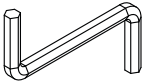
STEP 4

PARTS REQUIRED

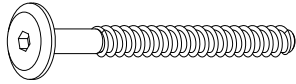
1 - Right side panel (BLUE) (GREEN) x1
4 - Connecting rail (YELLOW) x2
13 - Lower back rail (BLUE) x1
14 - Lower rail (RED) x1

HARDWARE REQUIRED

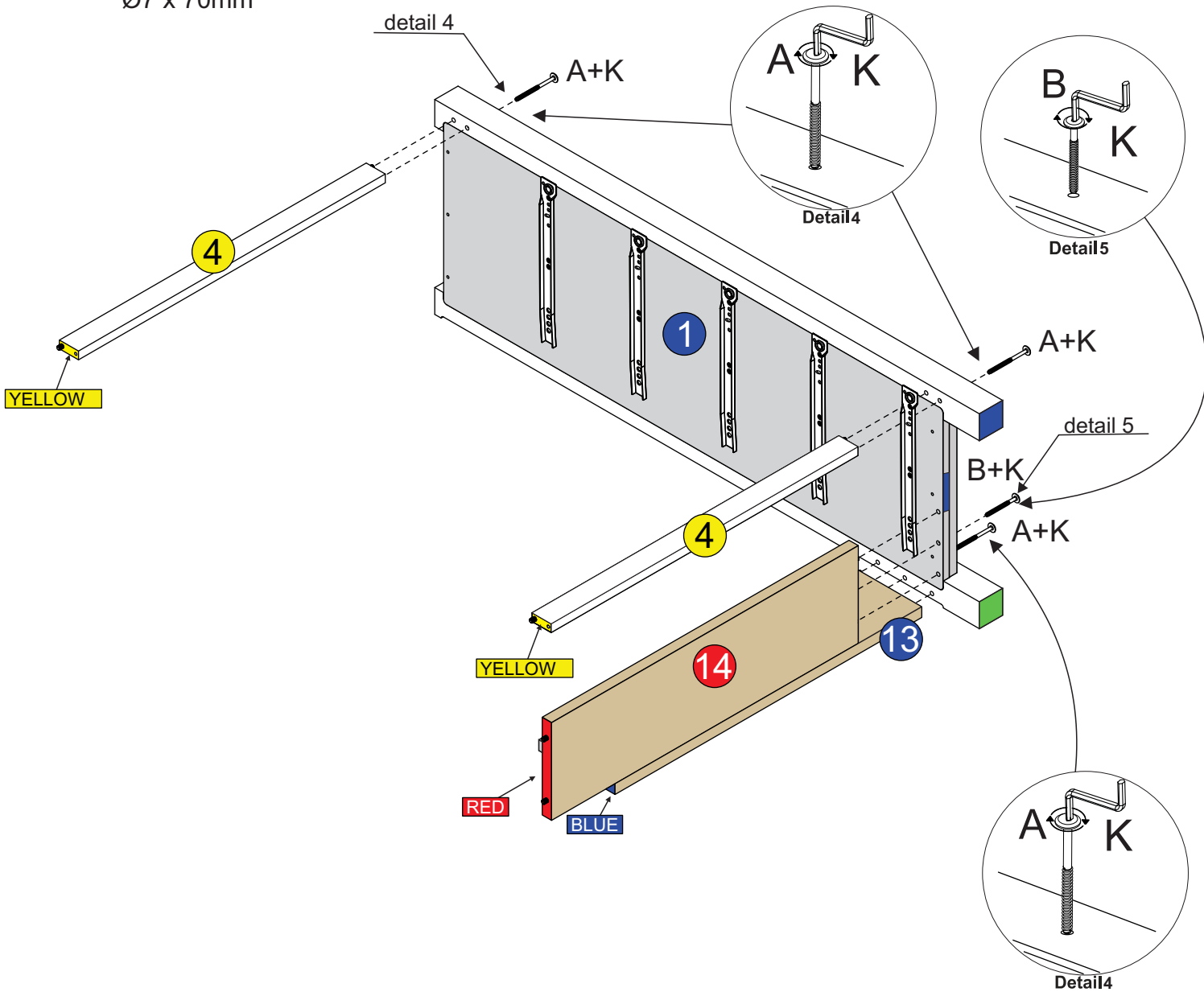
A	 Ø7 x 90mm	03
B	 Ø7 x 70mm	01



Ø7 x 90mm



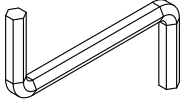
Ø7 x 70mm



Please assemble on a clean soft surface to avoid damage.

STEP5

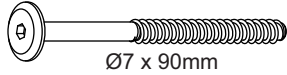

TOOLS REQUIRED

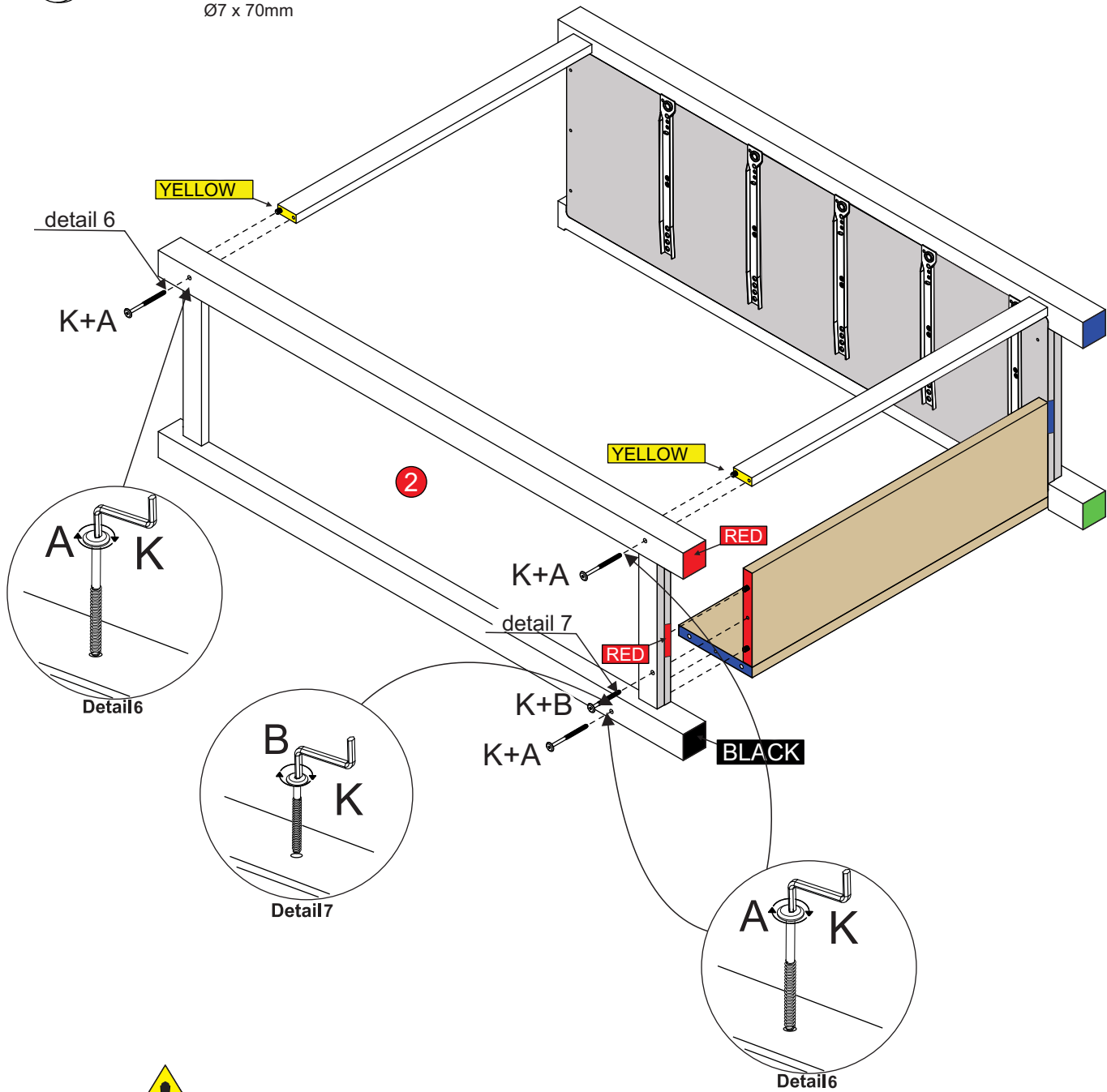
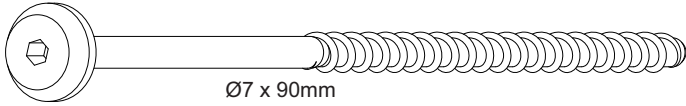


PARTS REQUIRED

2 - Left side panel (RED) x1

HARDWARE REQUIRED

A	 Ø7 x 90mm	03
B	 Ø7 x 70mm	01



Please assemble on a clean soft surface to avoid damage.

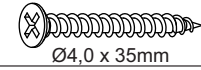
STEP 6

PARTS REQUIRED

3 - Top panel (NATURAL) x1

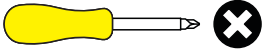
HARDWARE REQUIRED

E

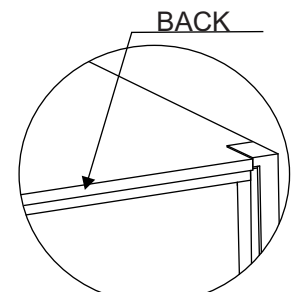
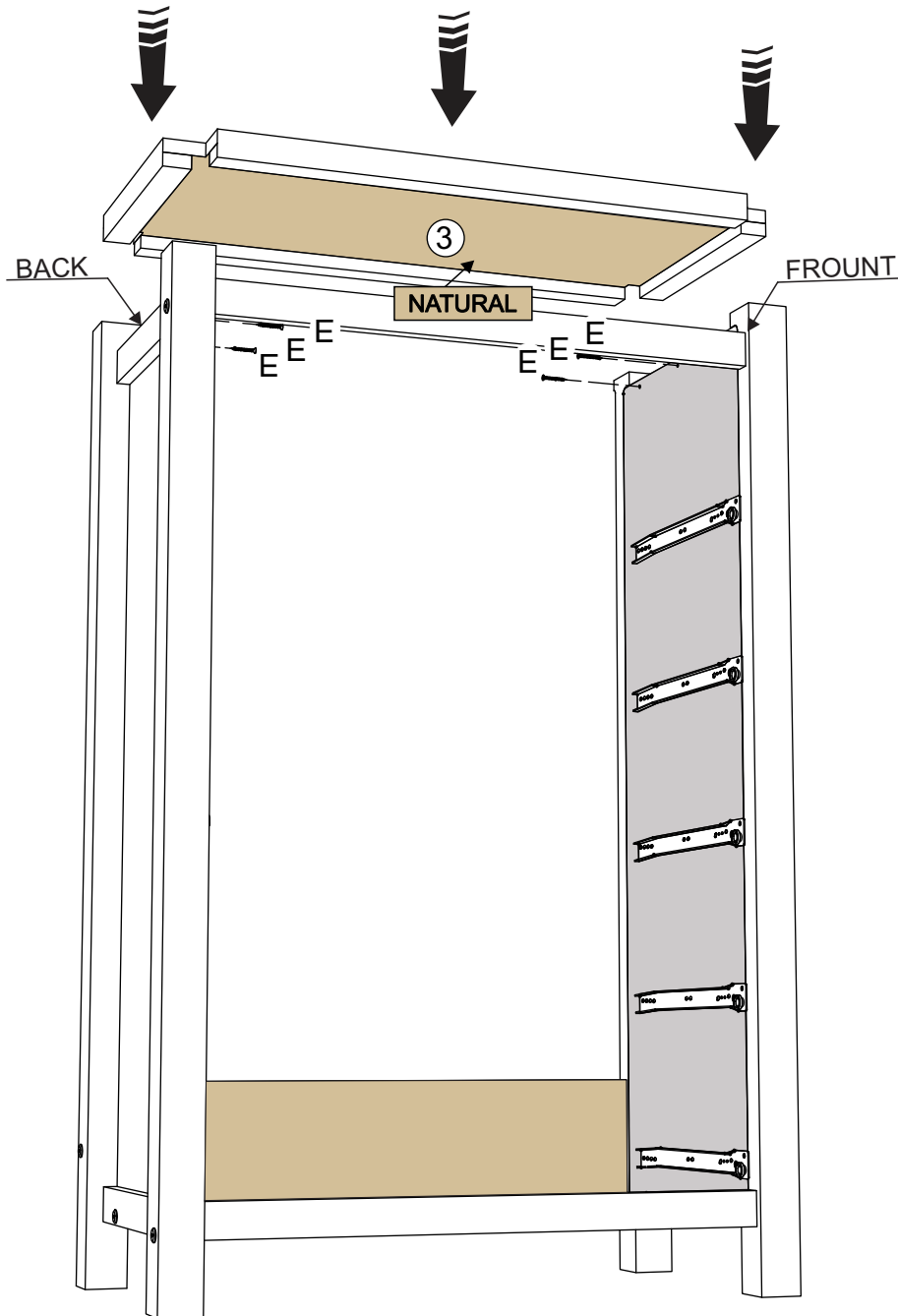


06

TOOLS REQUIRED

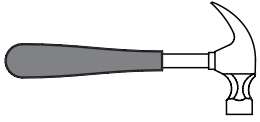


Please keep pressing when screwing



Please assemble on a clean soft surface to avoid damage.


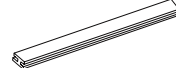
STEP 7



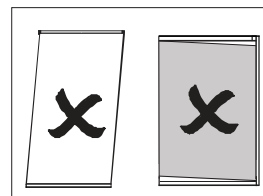
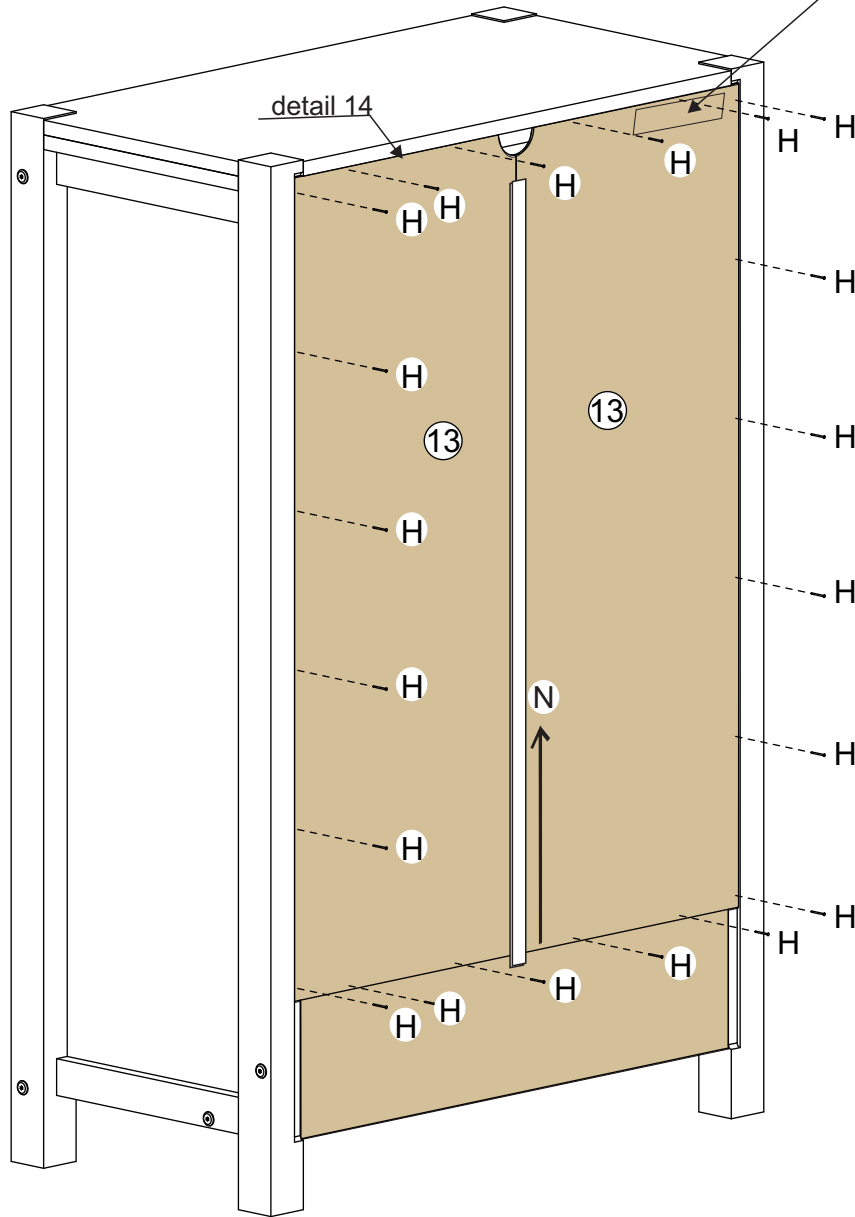
PARTS REQUIRED

13 - Down back panel (NATURAL) x1

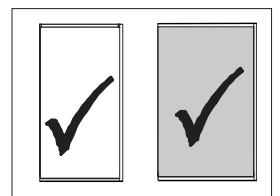
HARDWARE REQUIRED

H		20
N		01

* For your future reference
Order Number should be here



detail 14



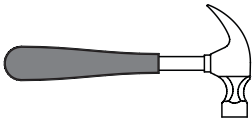
detail 14



Please assemble on
a clean soft surface
to avoid damage.

STEP 11

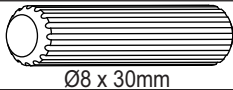

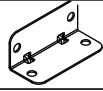

TOOLS REQUIRED

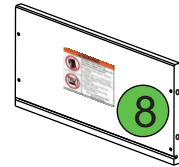


PARTS REQUIRED

- 8 - side panel x10 (GREEN)
- 11 - Drawer divider x1 (YELLOW)

HARDWARE REQUIRED

D	 Ø8 x 30mm	44
M		01
I	 Metal bracket	11
K	 Ø3,5 x 14mm	22

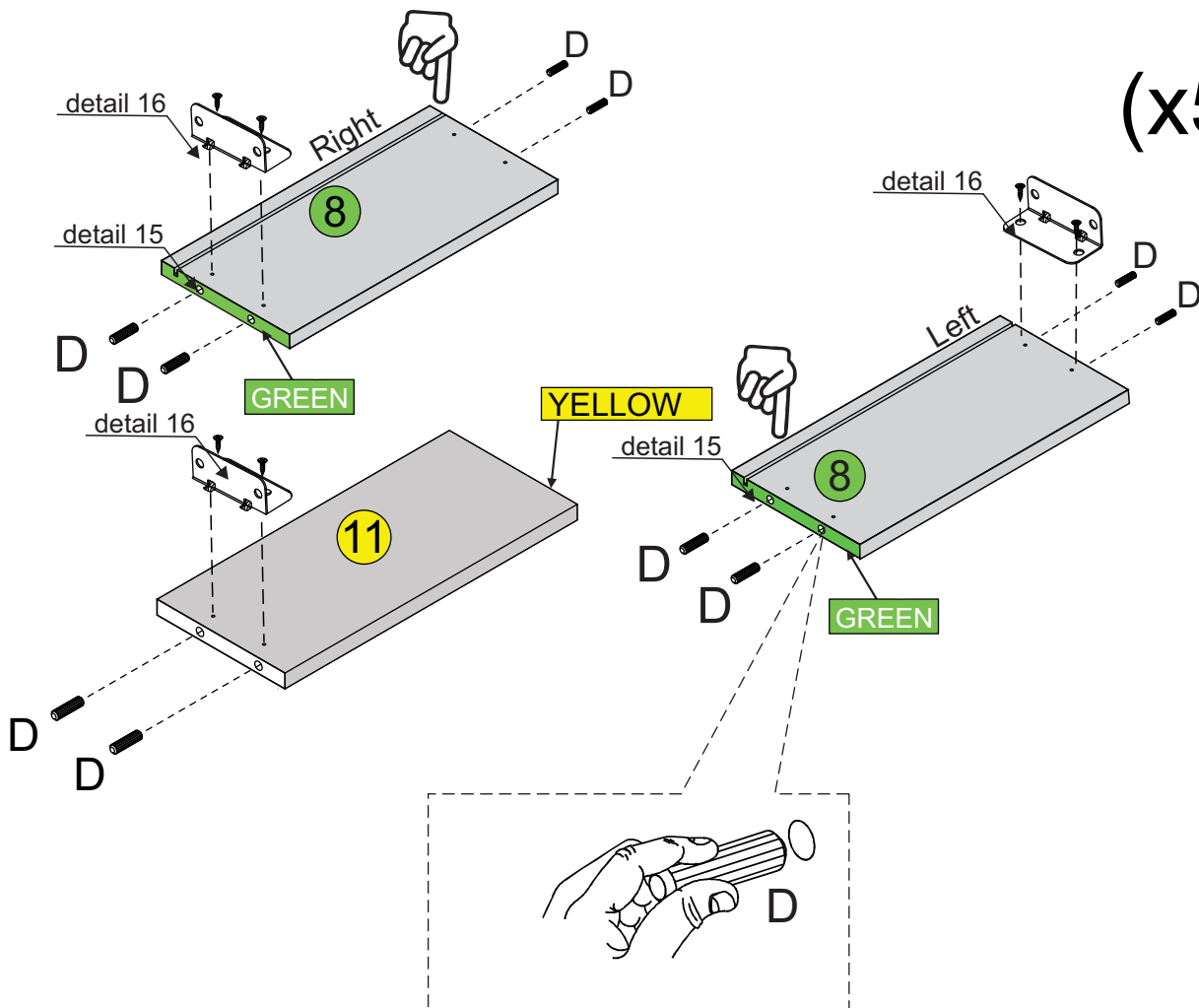


1x

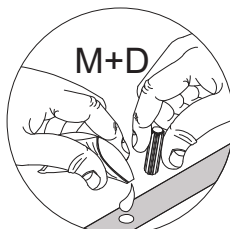
The side drawer with WARNING LABEL, should be mounted in highest drawer.

(x5)

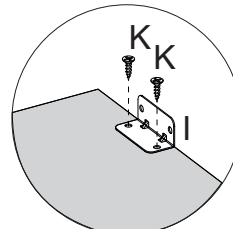
(x5)



Please assemble on a clean soft surface to avoid damage.



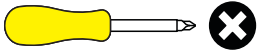
Detail 15



Detail 16

STEP12

TOOLS REQUIRED

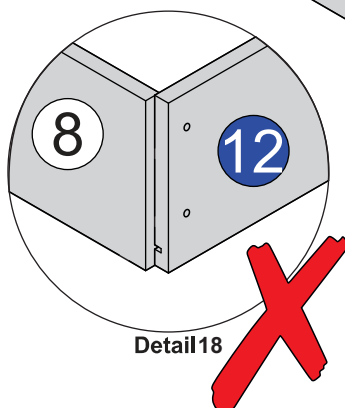
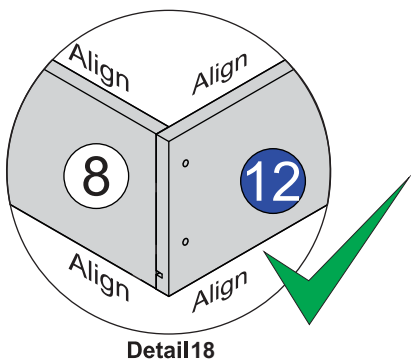
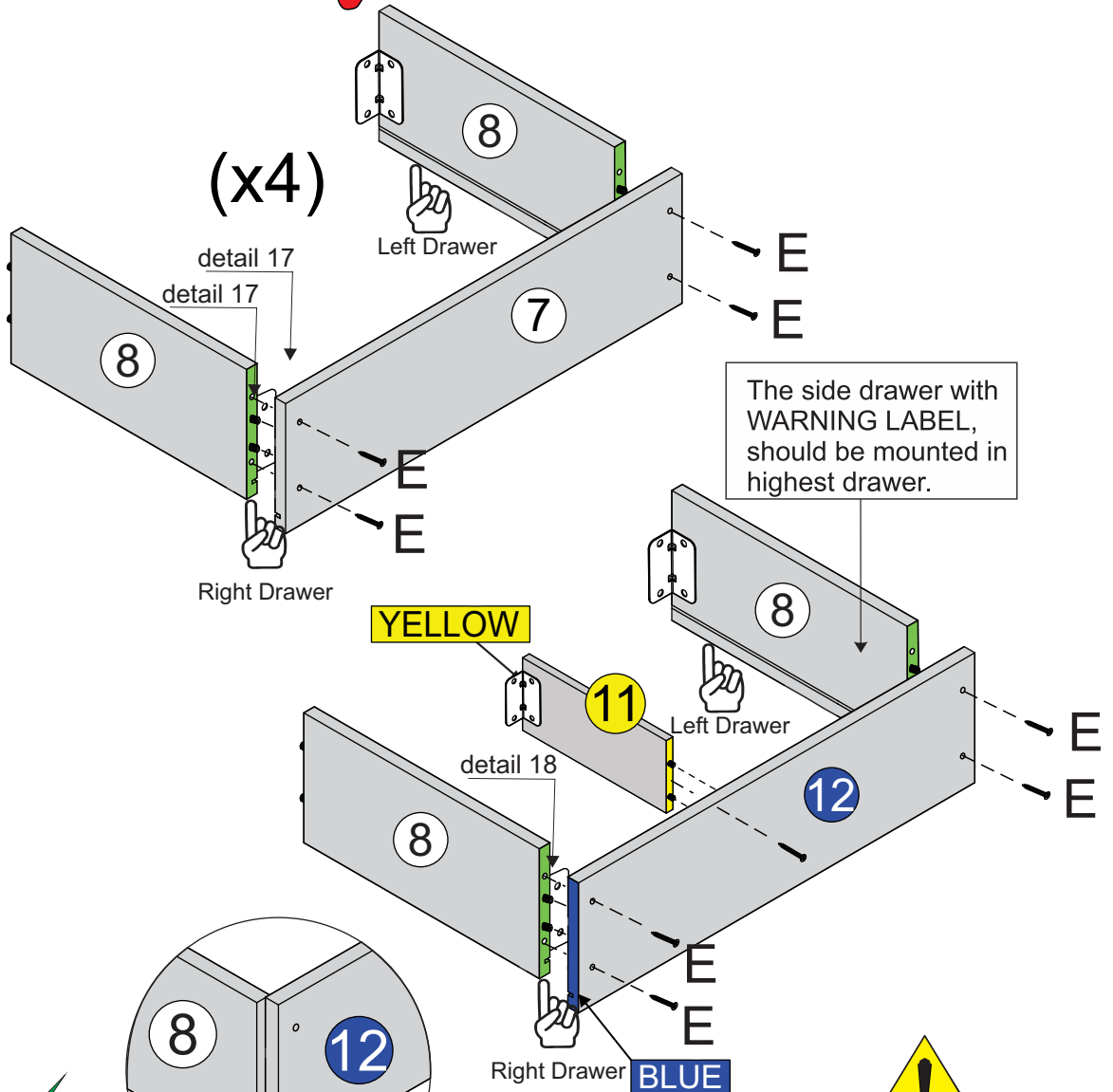
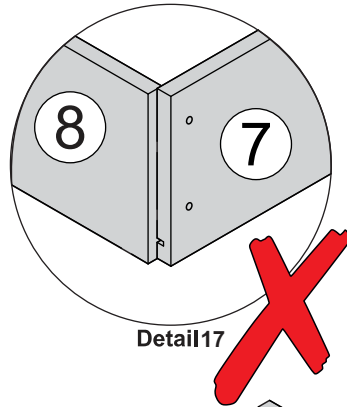
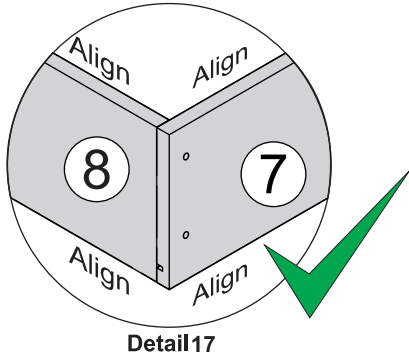


PARTS REQUIRED

- 8 - Right drawer side panel (**GREEN**) x10
- 7 - Drawer back panel (**NATURAL**) x4
- 11 - Drawer divider (**YELLOW**) x1
- 12 - Upper Drawer back panel (**BLUE**) x1

HARDWARE REQUIRED

E	Ø4,0 x 35mm	21
---	-------------	----

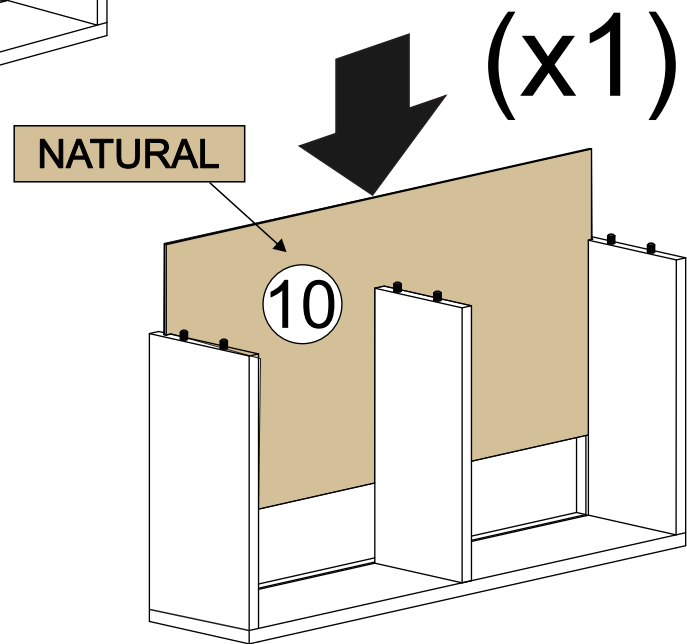
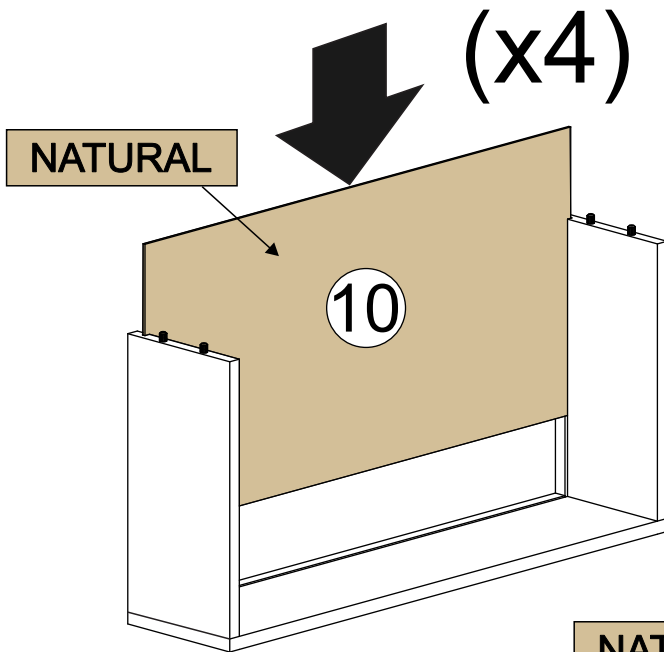
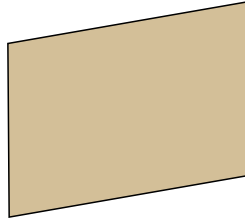


Please assemble on a clean soft surface to avoid damage.

STEP13

PARTS REQUIRED

10 - Drawer bottom panel (NATURAL) x5



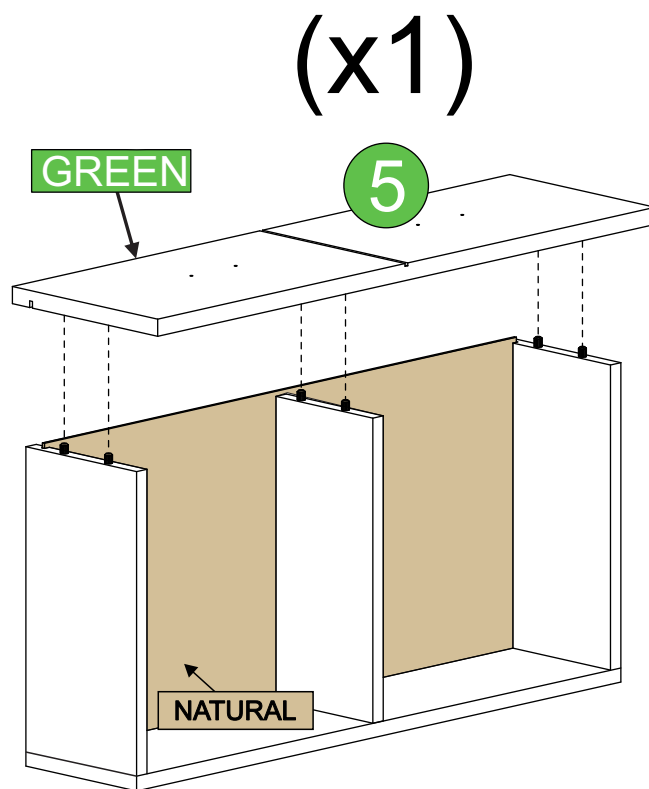
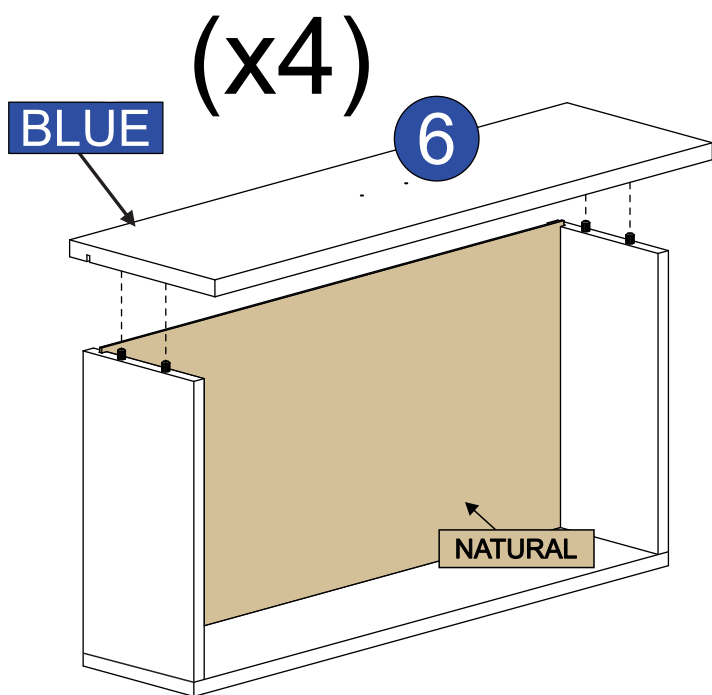
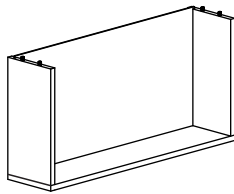
Please assemble on a clean soft surface to avoid damage.

STEP 14

PARTS REQUIRED

5- Drawer front (GREEN) x1

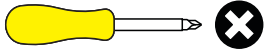
6- Drawer front (BLUE) x4




Please assemble on a clean soft surface to avoid damage.

STEP 15

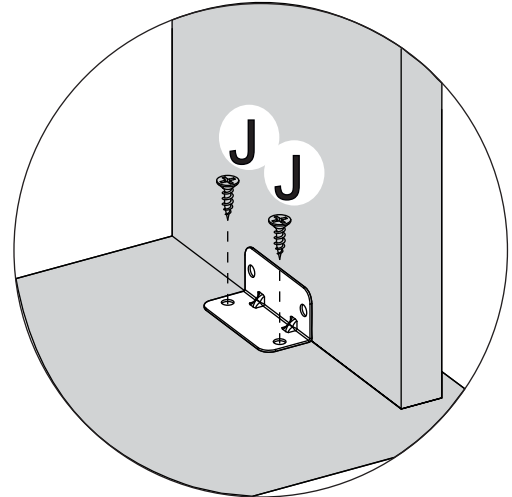
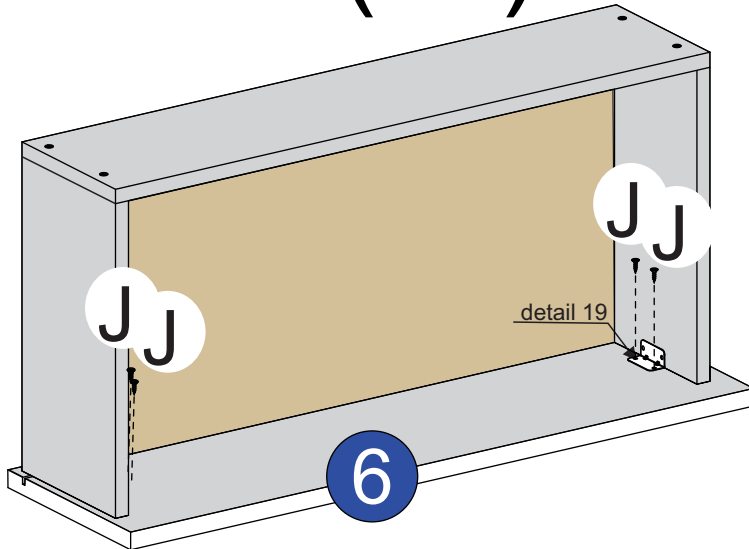
TOOLS REQUIRED



HARDWARE REQUIRED

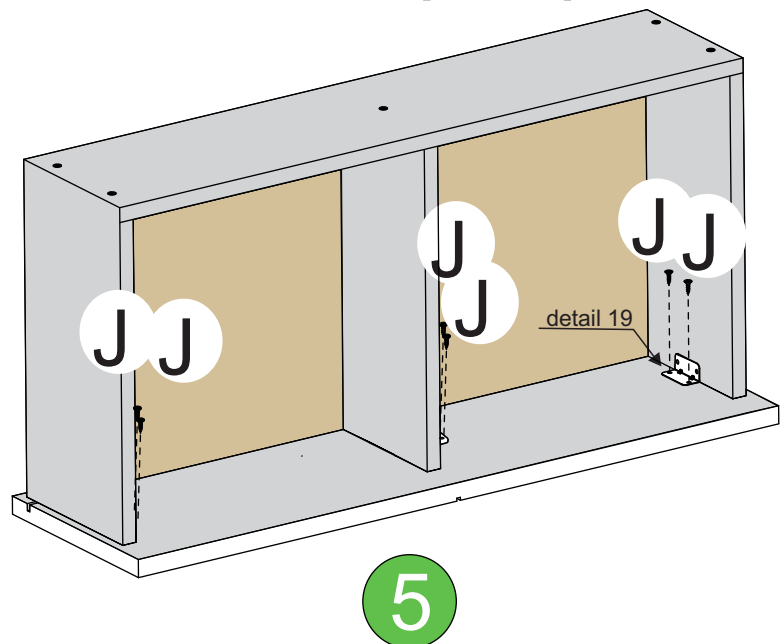
J	 Ø3,5 x 14mm	22
---	--	----

(x4)



Detail 19

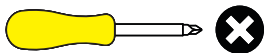
(x1)



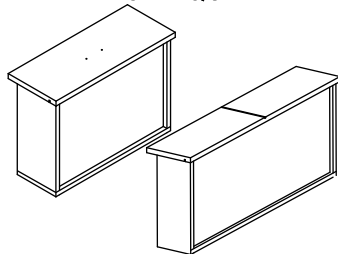
Please assemble on a clean soft surface to avoid damage.

STEP 16



TOOLS REQUIRED

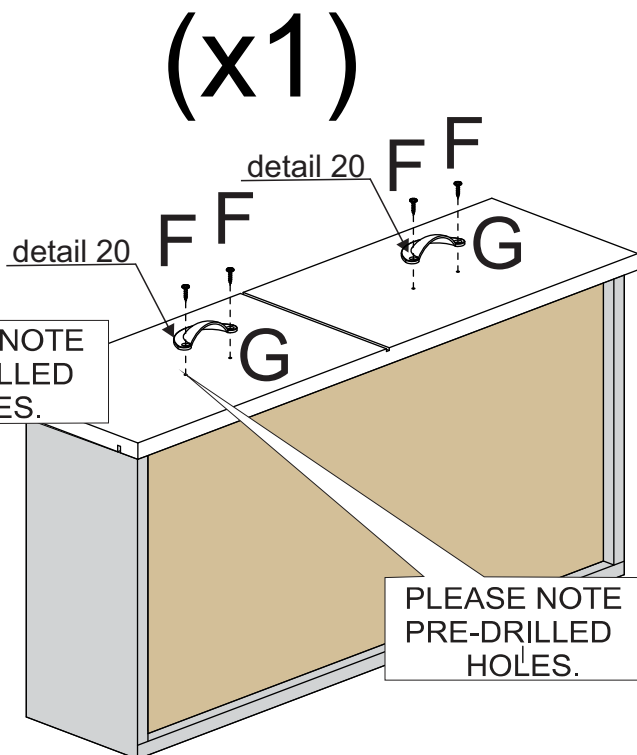
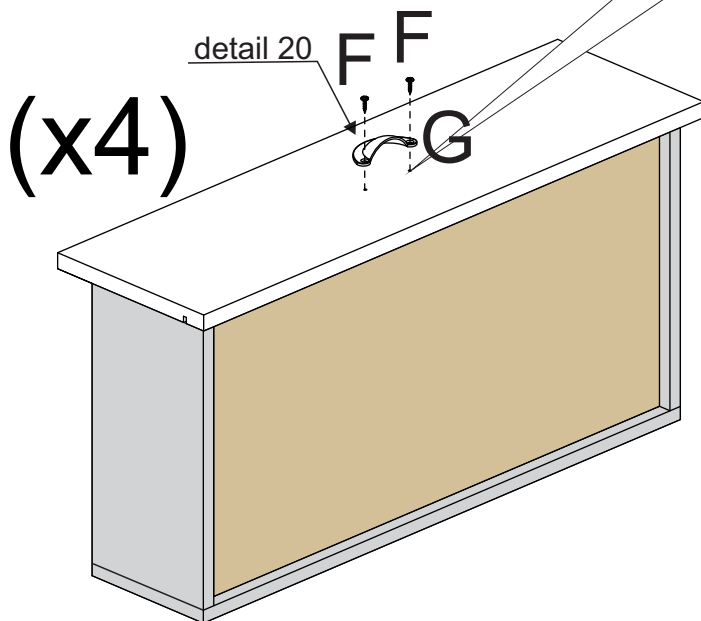
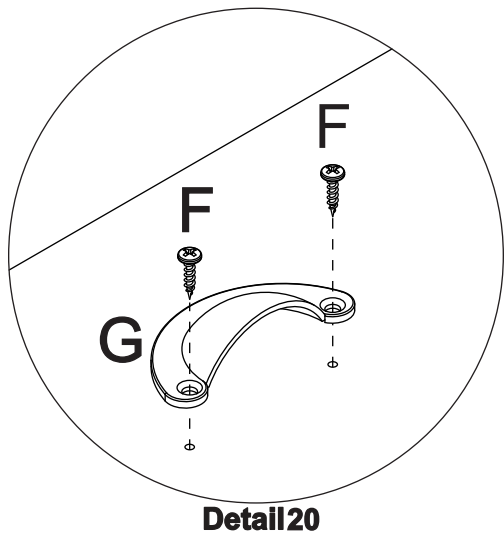


PARTS REQUIRED



HARDWARE REQUIRED

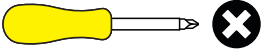
F	 Ø3,5 x 16mm	12
G	 Cup handle	06



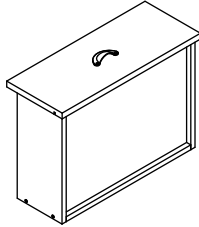
Please assemble on a clean soft surface to avoid damage.

STEP 17

TOOLS REQUIRED

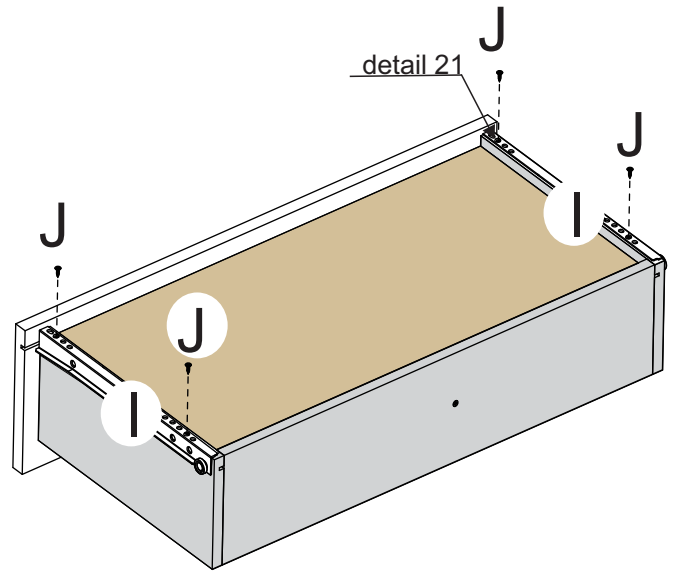
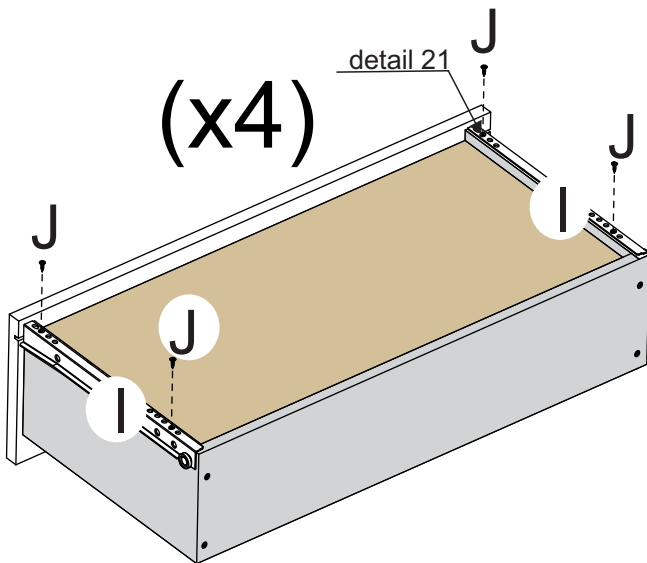
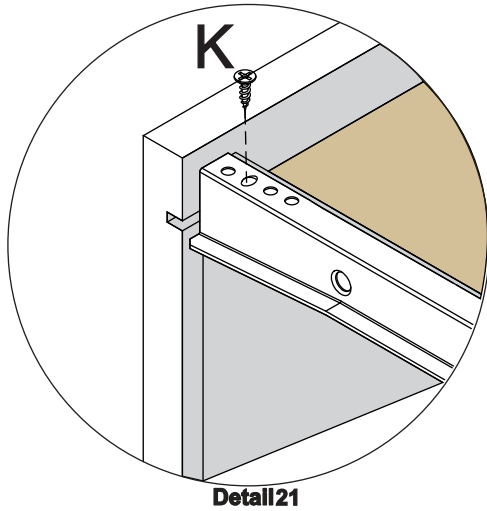


PARTS REQUIRED

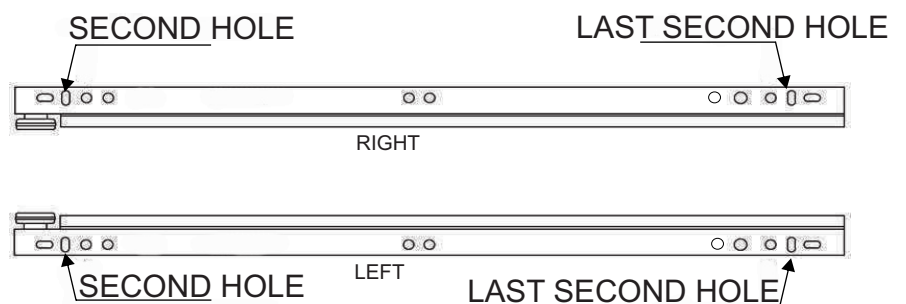


HARDWARE REQUIRED

J		05
K	 Ø3,5 x 14mm	20

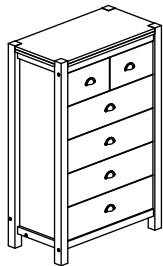


Please assemble on a clean soft surface to avoid damage.




STEP 18

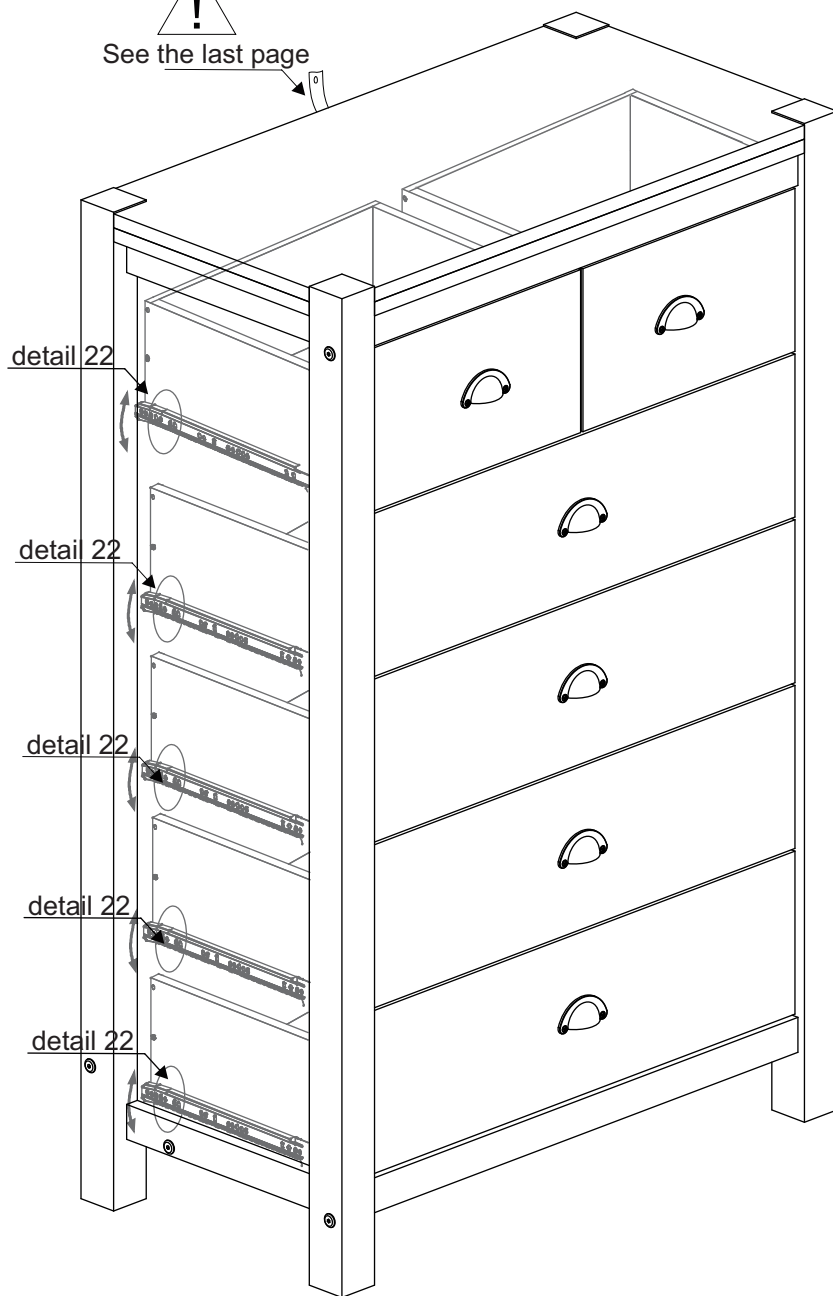
PARTS REQUIRED



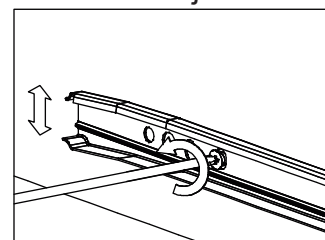
HARDWARE REQUIRED

K	 Ø3,5 x 14mm	10
---	--	----

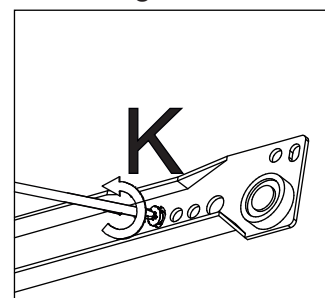

 See the last page



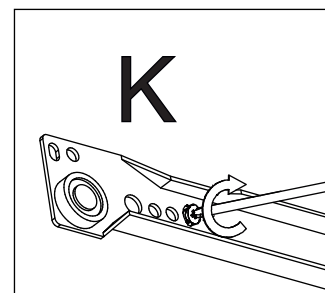
Drawer Adjustment



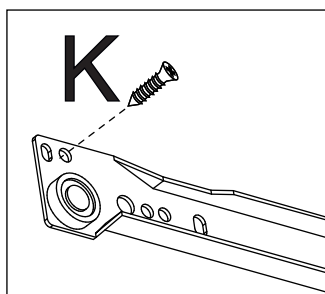
Drawer Adjustment Right Side



Drawer Adjustment Left Side

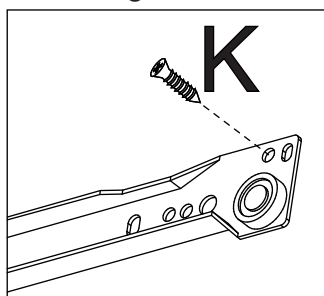


Drawer Lock Left Side



Detail 21

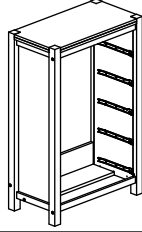
Drawer Lock Right Side



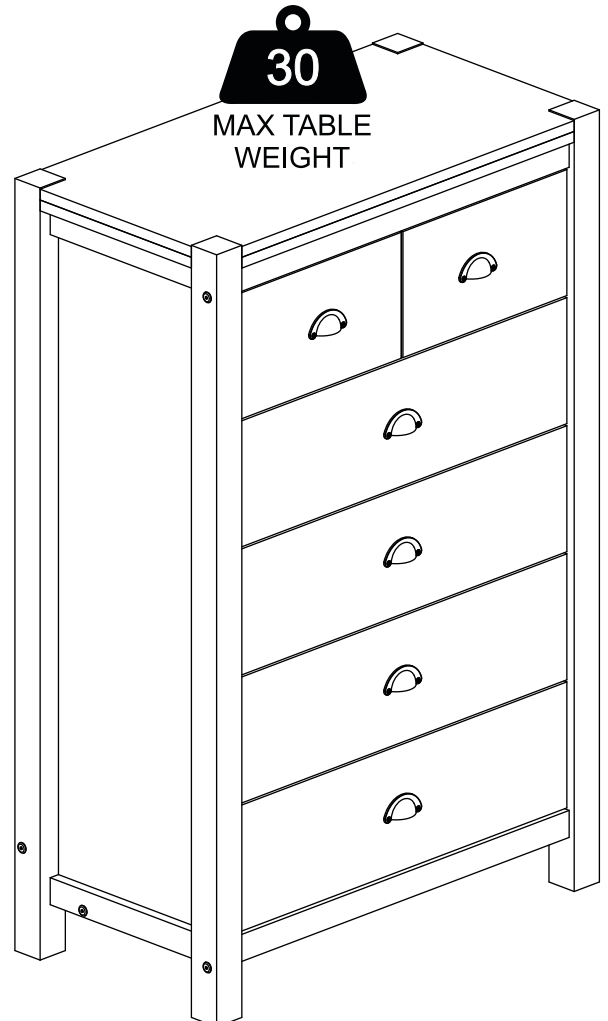
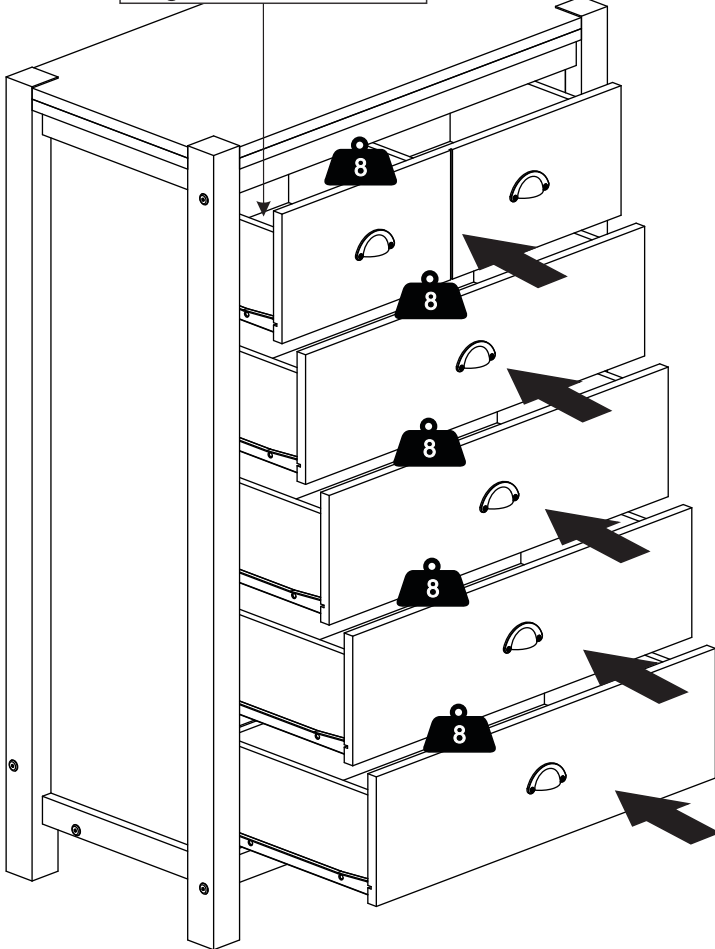
Detail 21

STEP 9

PARTS REQUIRED



The side drawer with WARNING LABEL, should be mounted in highest drawer.



WARNING

Serious or fatal injuries can occur from furniture tipping over. To prevent the furniture from tipping over we recommend that it is permanently fixed to the wall.

Wall fixings are not supplied with this product as different wall materials require different types of fixing devices. Please make sure you use fixings suitable for the walls in your home.

