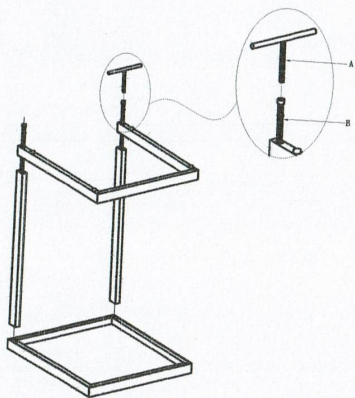
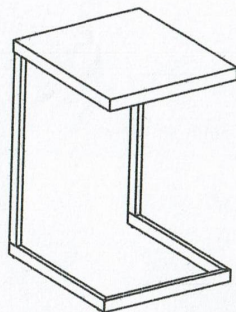




Step 1



Finish



TRAY TABLE

A	B
	
6MM 1PC	M8x517 2PCS