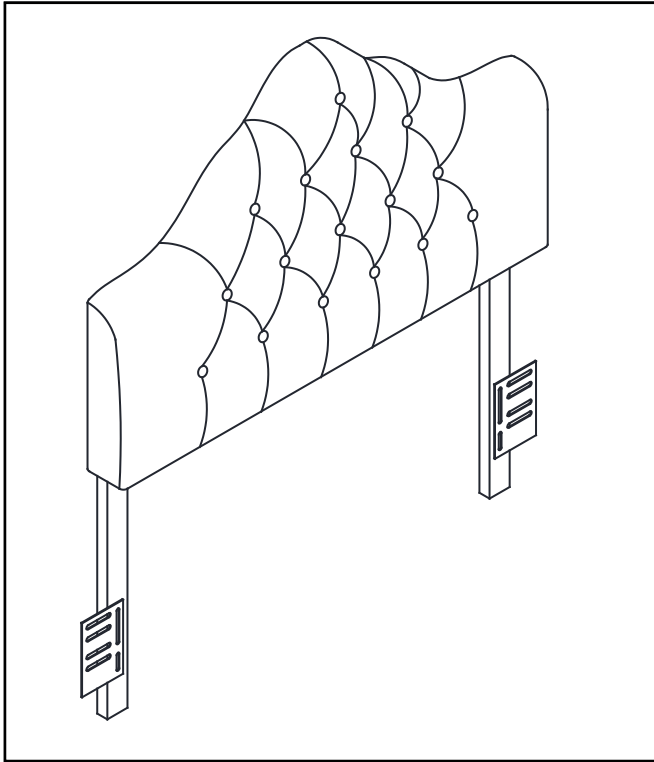


ASSEMBLY INSTRUCTIONS



A M6*40mm



B M8*50mm



C M8mm



D M6mm



E M6mm



F



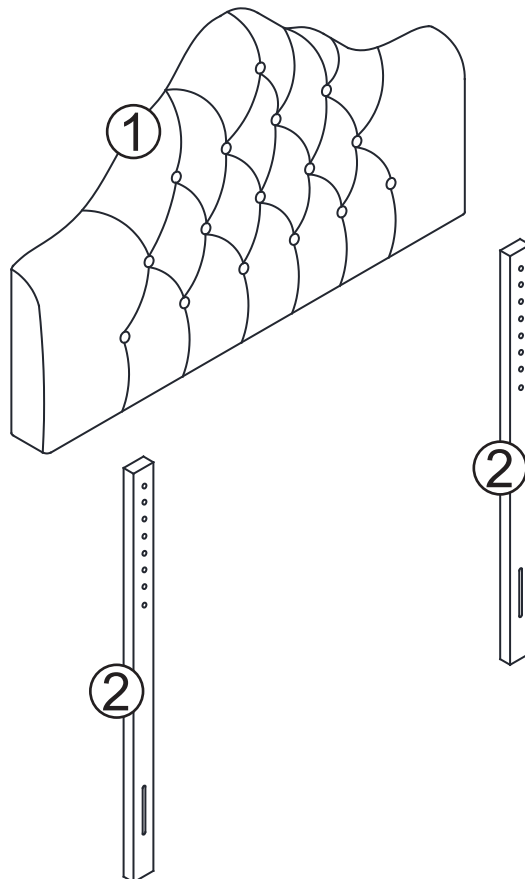
G



H

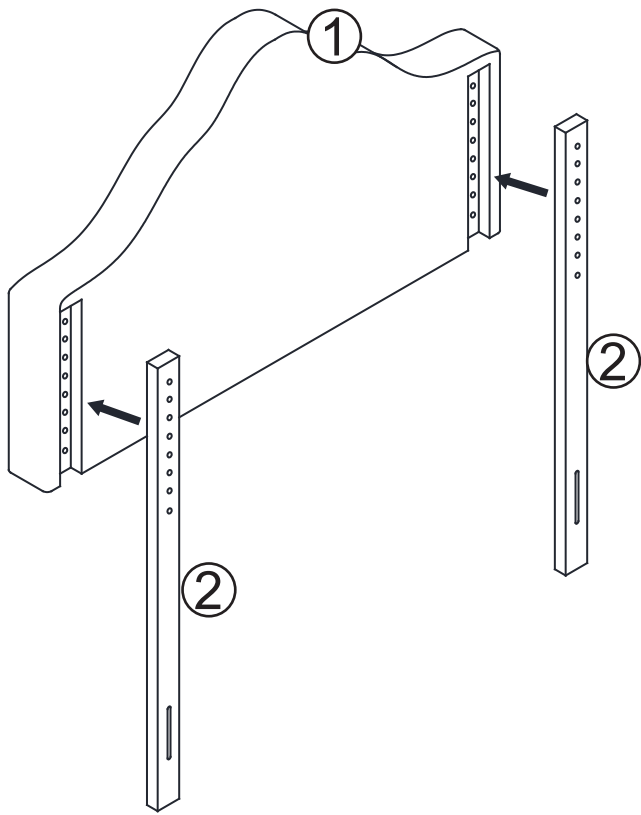


I

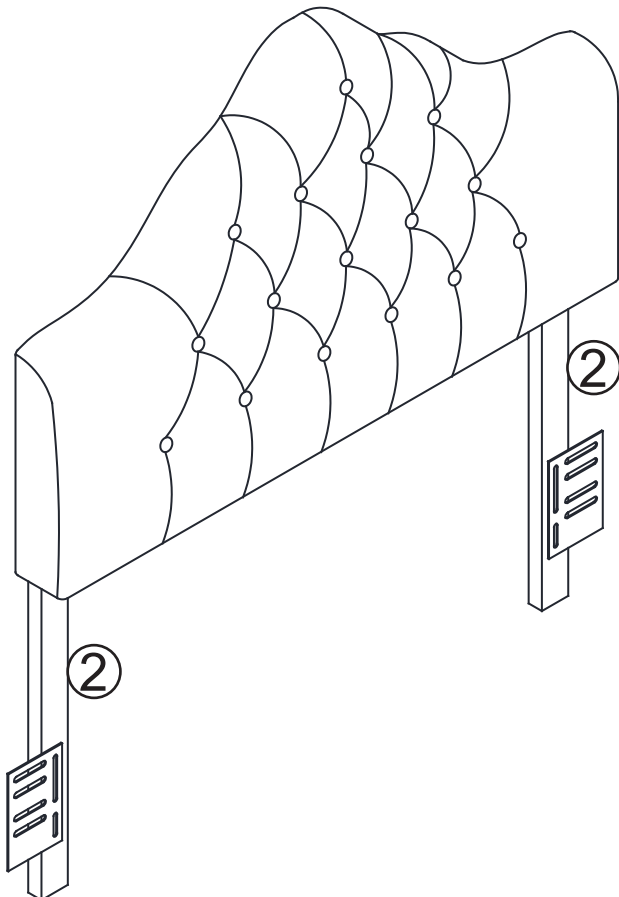


ASSEMBLY INSTRUCTIONS

1



2



There are a variety of ways to set the head of a bed.
Assemble according to your own requirements.

