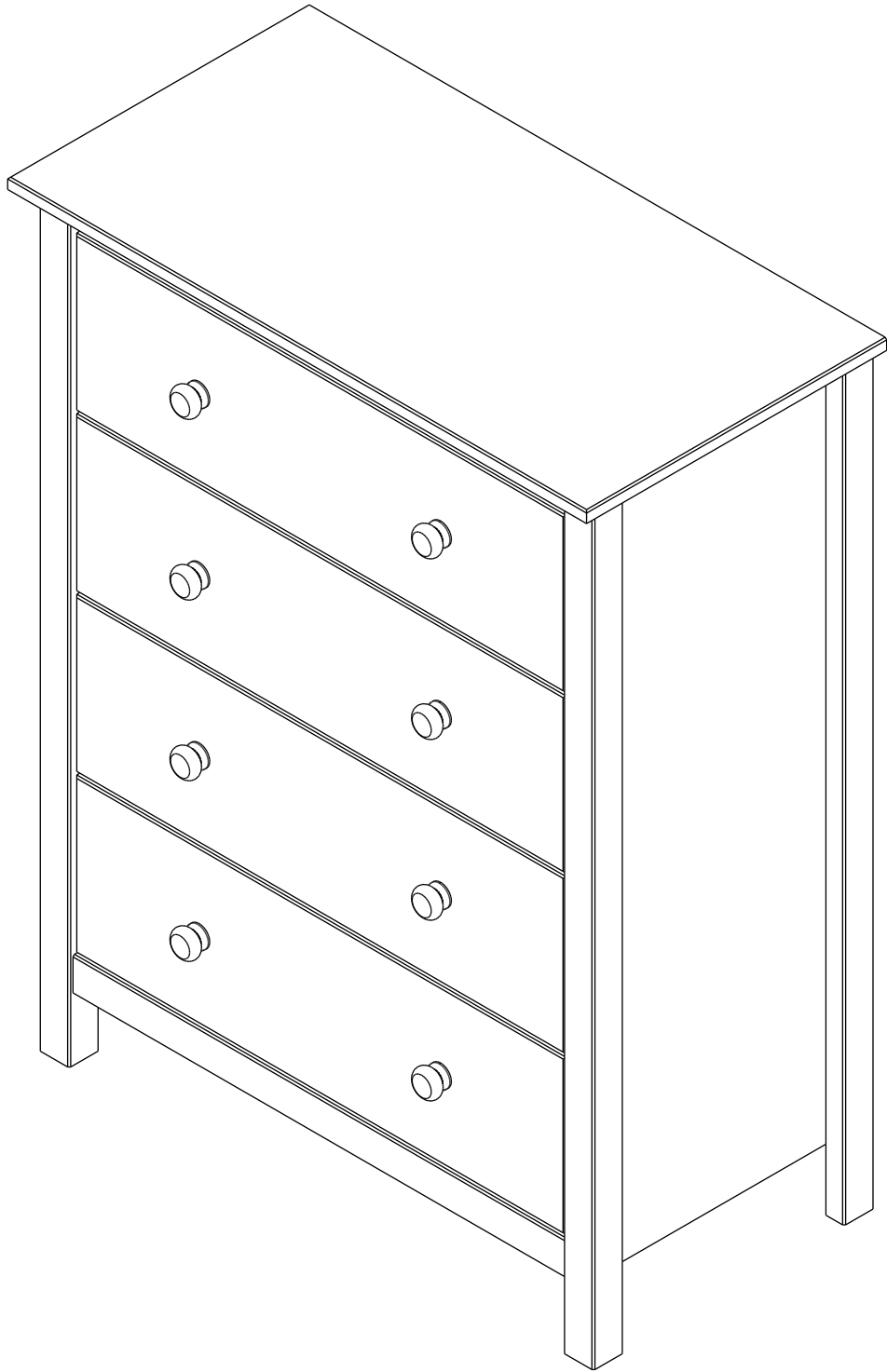
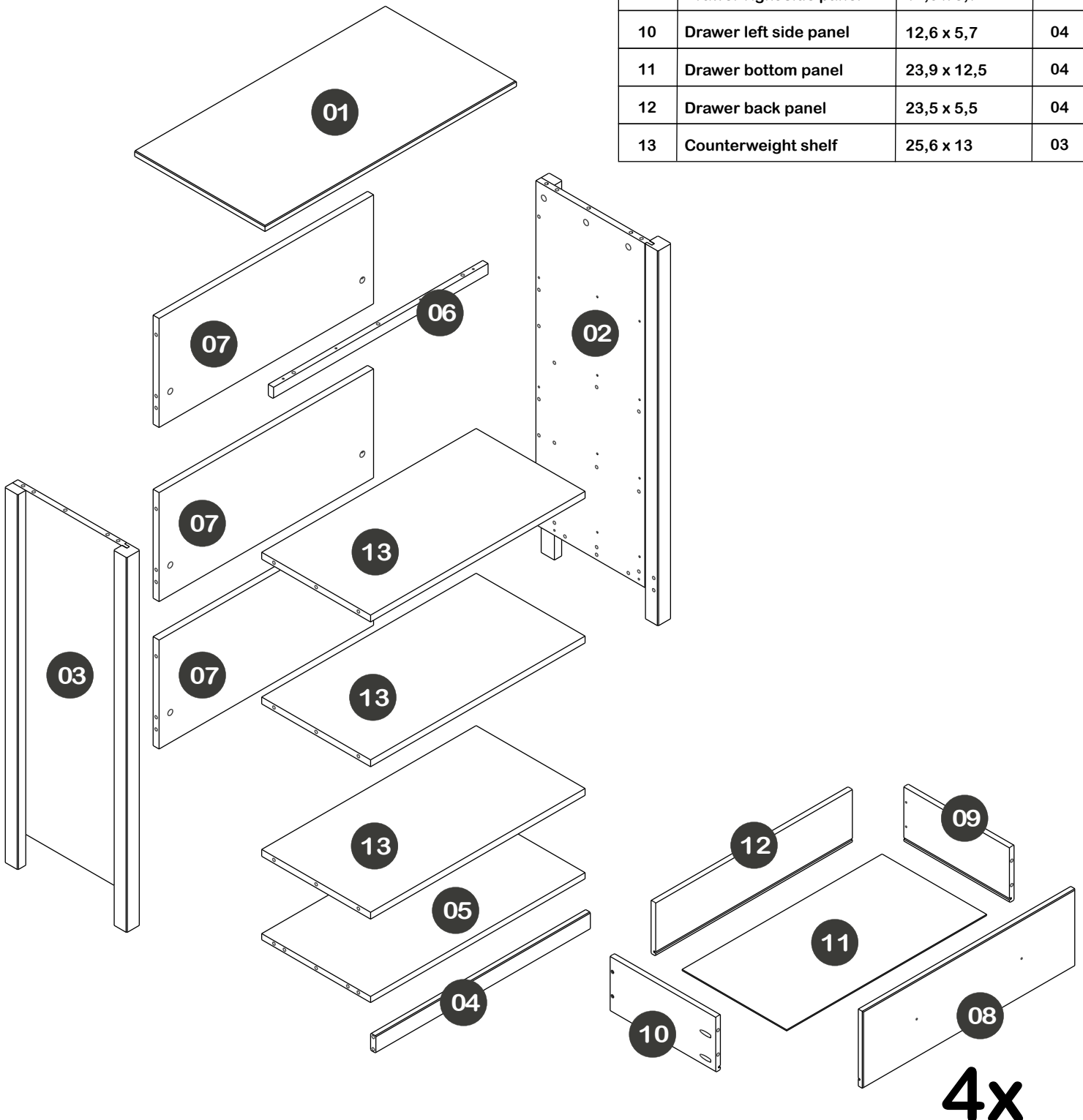
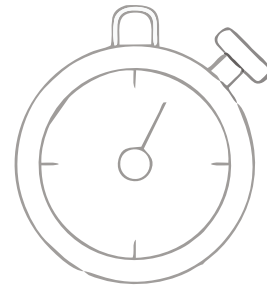
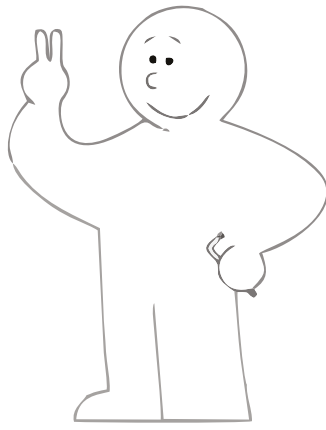
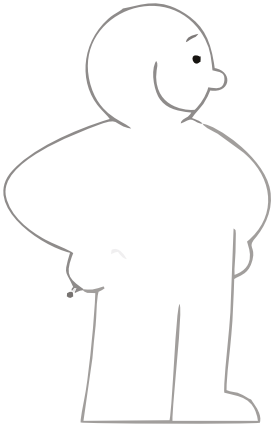


4 DRAWER DRESSER

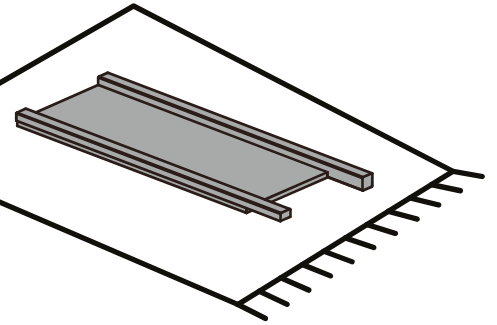
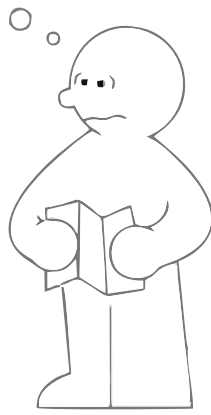
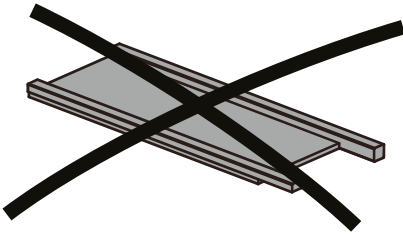


| Part | Description | Dimensions (in) | Qty. |
|------|-------------------------|-----------------|------|
| 01 | Top panel | 30 x 15,6 | 01 |
| 02 | Right side panel | 38,7 x 14,6 | 01 |
| 03 | Left side panel | 38,7 x 14,6 | 01 |
| 04 | Front rail | 25,6 x 1,8 | 01 |
| 05 | Bottom panel | 25,6 x 13 | 01 |
| 06 | Top rail | 25,6 x 1,2 | 01 |
| 07 | Back panel | 25,6 x 11,3 | 03 |
| 08 | Drawer front panel | 25,3 x 7,9 | 04 |
| 09 | Drawer right side panel | 12,6 x 5,7 | 04 |
| 10 | Drawer left side panel | 12,6 x 5,7 | 04 |
| 11 | Drawer bottom panel | 23,9 x 12,5 | 04 |
| 12 | Drawer back panel | 23,5 x 5,5 | 04 |
| 13 | Counterweight shelf | 25,6 x 13 | 03 |

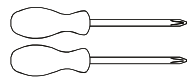
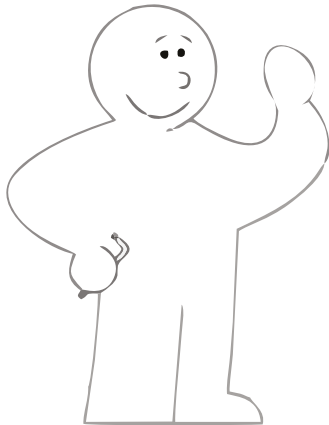




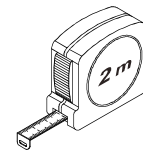
30 Min



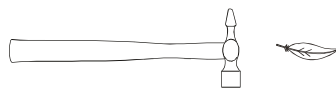
Tools required



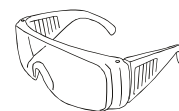
**Phillips screwdriver
(medium & large)**



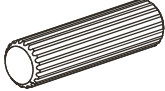


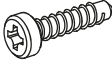
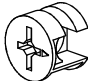

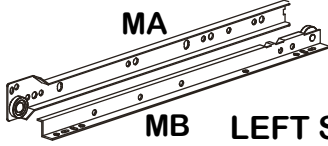
**Ruler/tape
measure**

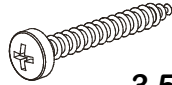
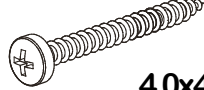
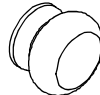
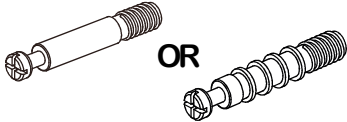
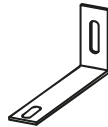
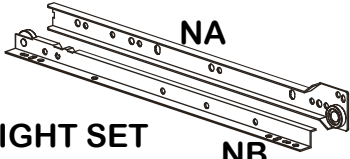


**Small
hammer**



**Eye protection
(when using a
hammer or glue)**

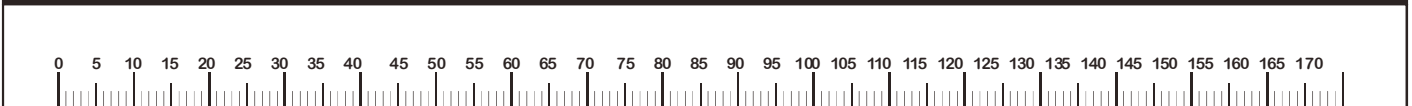
| | | |
|----------|---|-----------|
| A |  8x30mm | 63 |
| C |  6,0x10mm | 16 |
| E |  3,0x16mm | 24 |
| G |  3,0x16mm | 02 |
| I |  | 16 |
| K |  | 04 |
| M |  MA MB LEFT SET 250mm | 04 |

| | | |
|----------|--|-----------|
| B |  3,5x30mm | 32 |
| D |  4,0x40mm | 12 |
| H |  | 08 |
| J |  OR | 16 |
| L |  CT97 | 02 |
| N |  NA NB RIGHT SET 250mm | 04 |

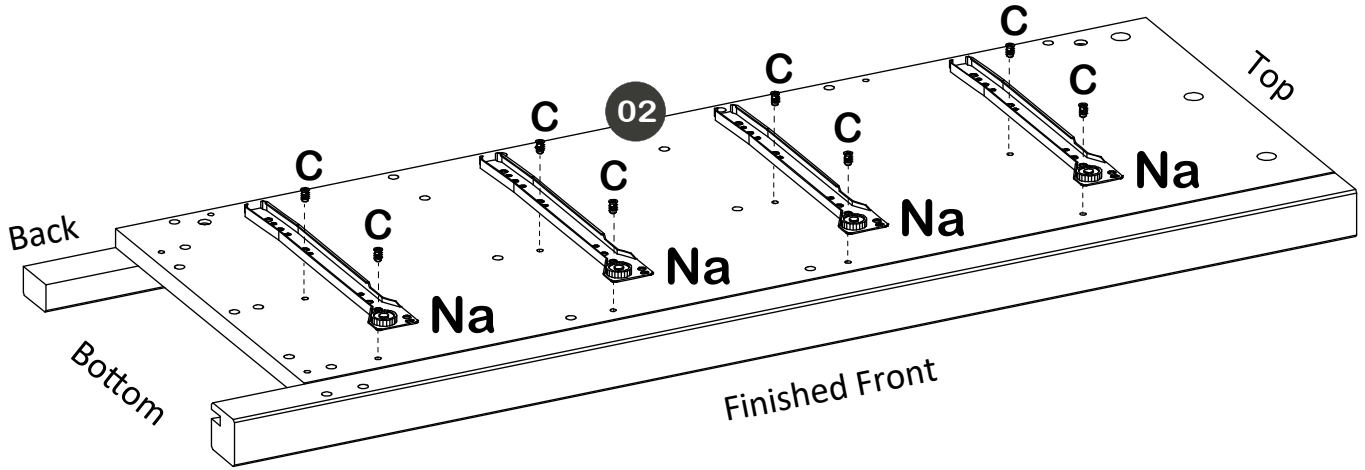
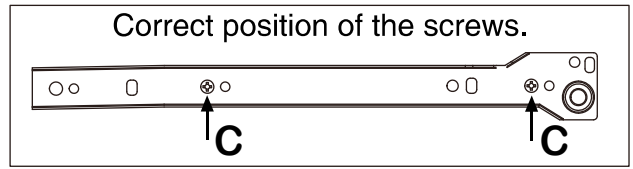
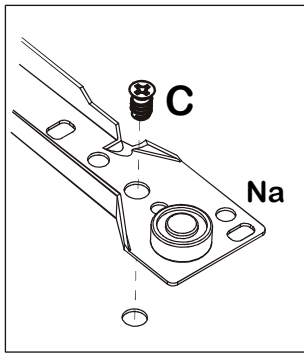




HARDWARE IS LOCATED INSIDE A CARDBOARD BOX ! CHECK FOR IT BEFORE DISPOSING PACKAGING

Ruler - Use this ruler to help correctly identify the screws

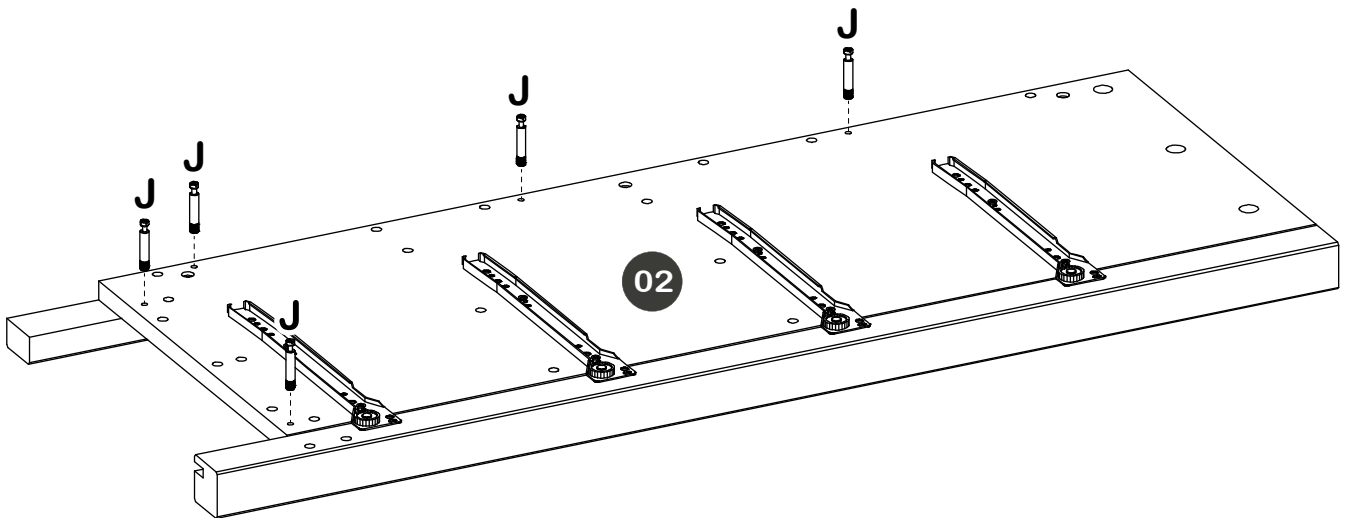
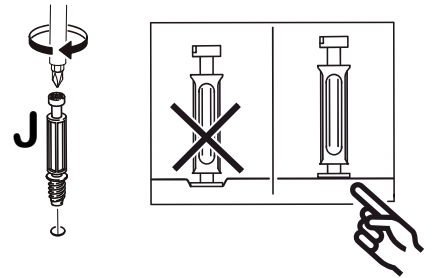




01



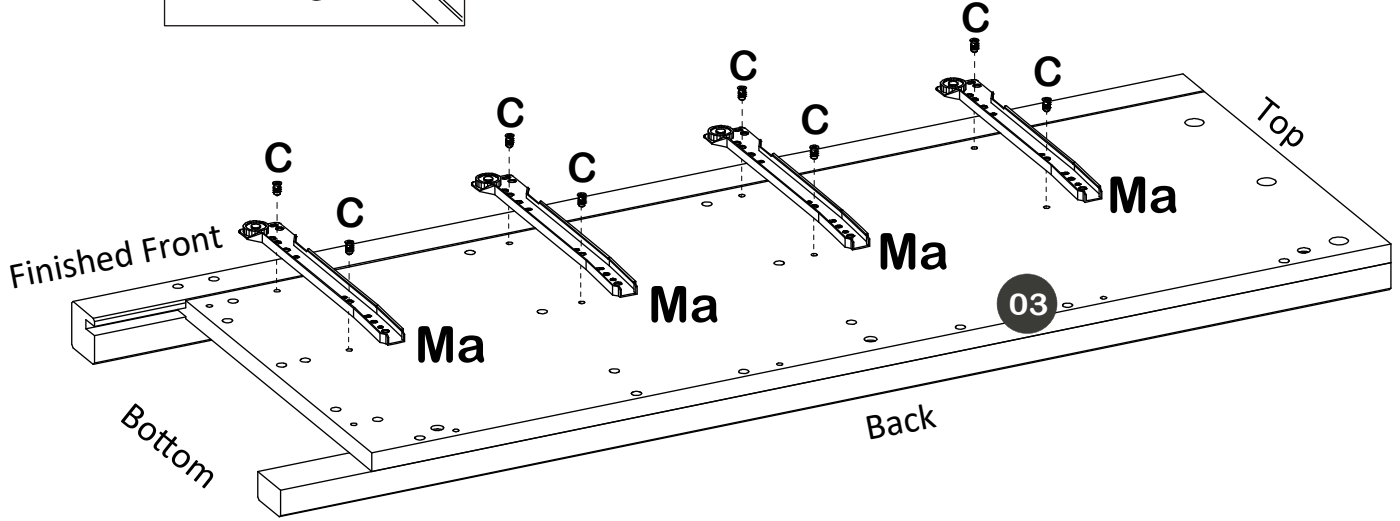
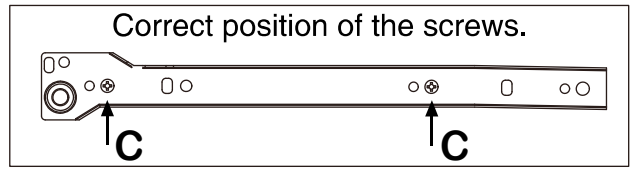
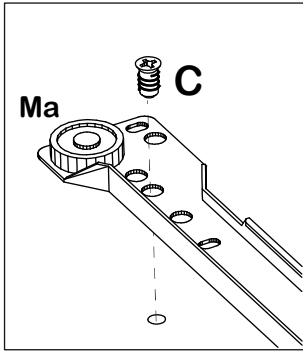
| | | | | | |
|---|---|----|---|---|----|
| C |  | 08 | N |  | 04 |
| | 6,0x10mm | | | RIGHT SET | |



02



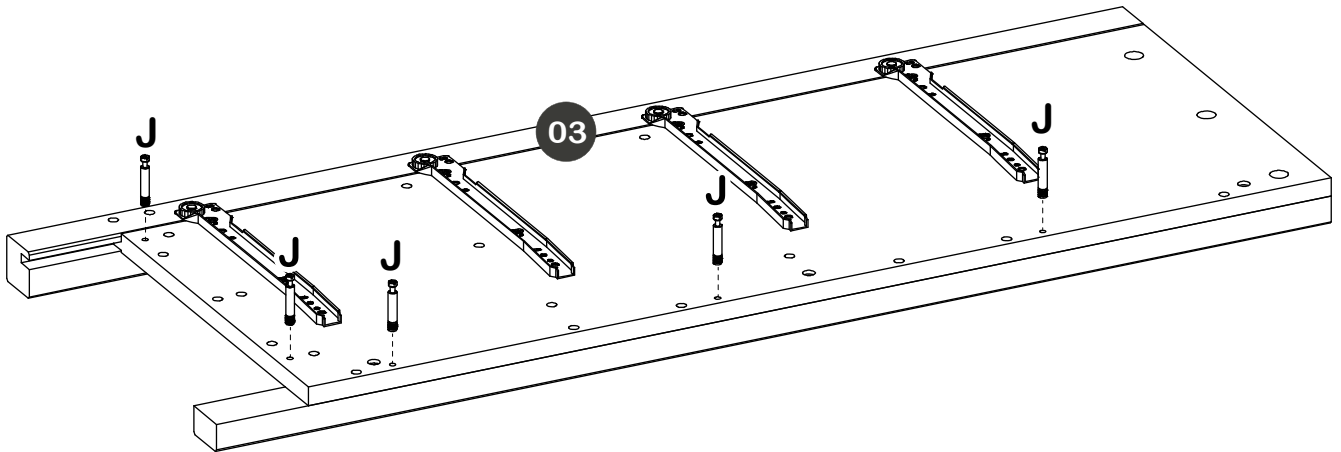
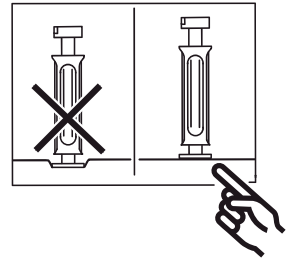
| | | |
|---|--|----|
| J |  OR  | 05 |
|---|--|----|


03



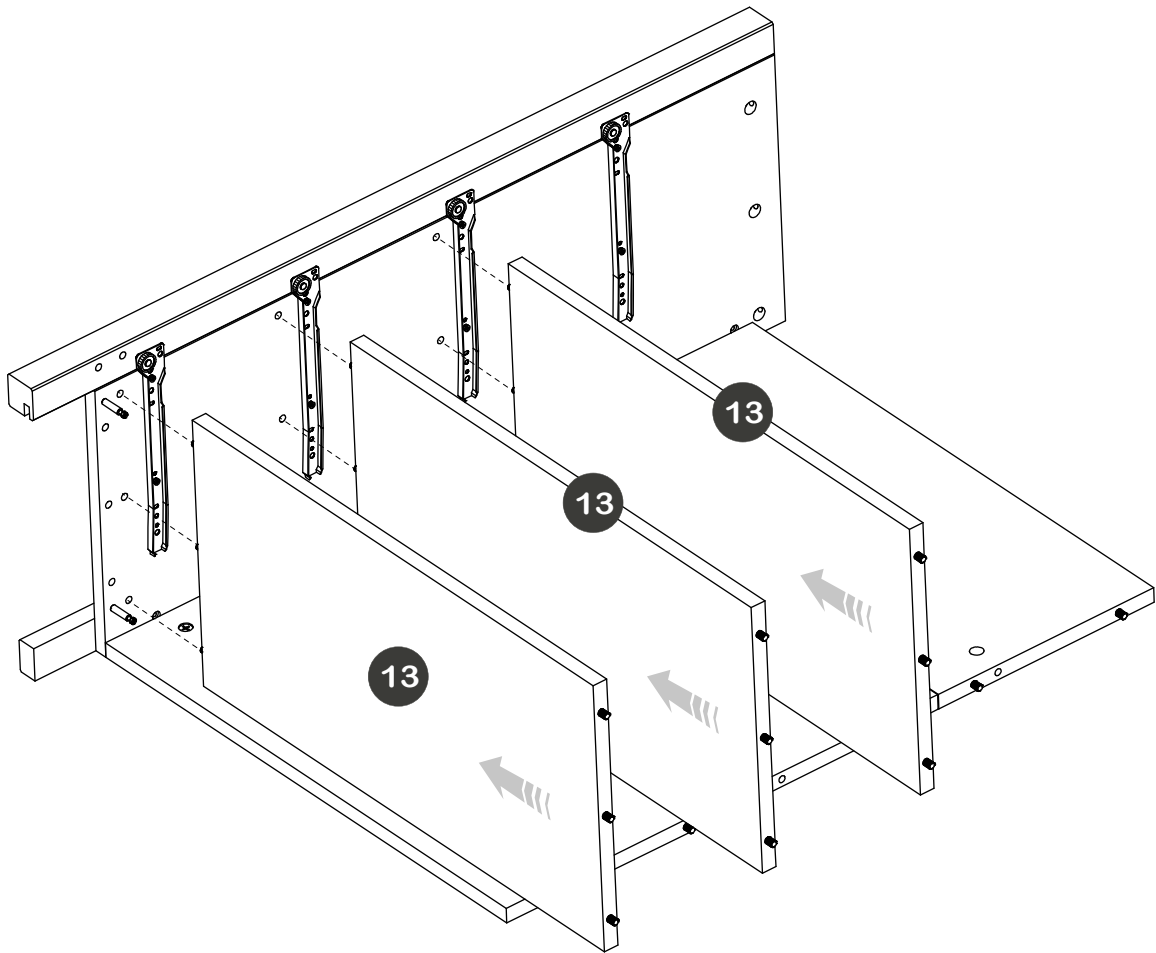
| | | | | | |
|---|---|----|---|---|----|
| C |  | 08 | M |  | 04 |
| | 6,0x10mm | | | LEFTSET | |

04

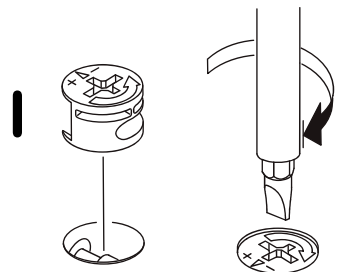
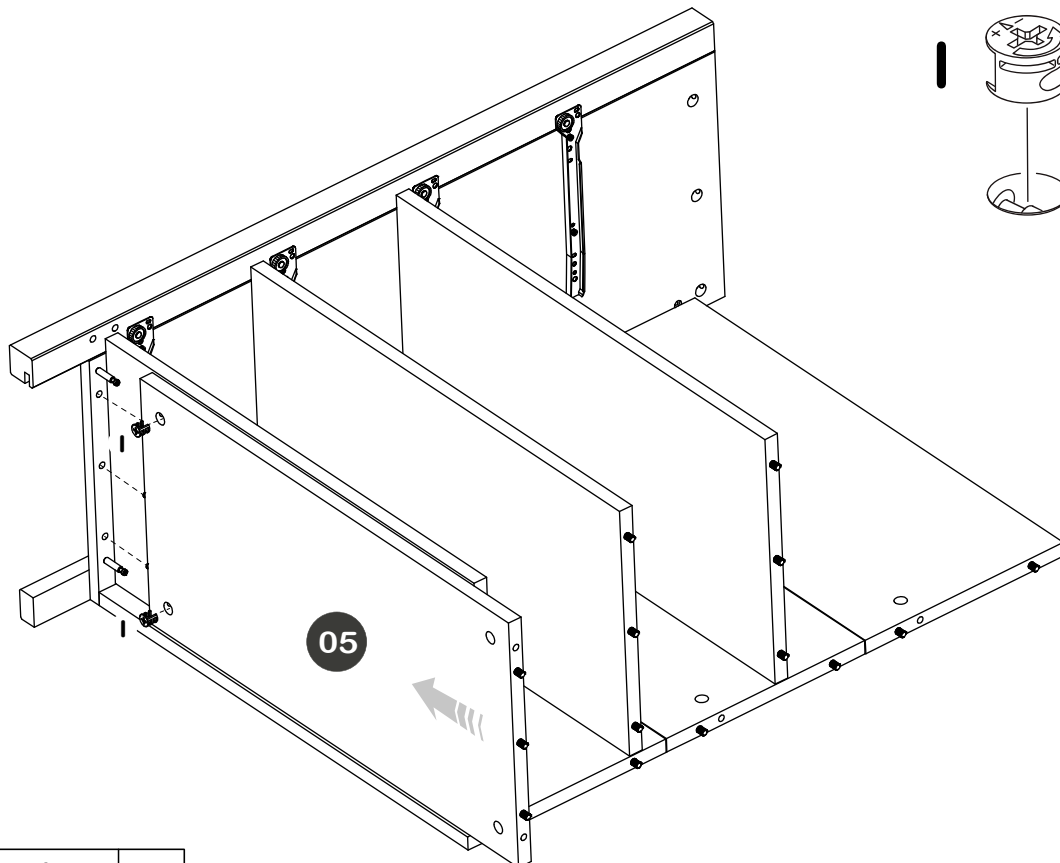


| | | |
|---|---|----|
| J |  | 05 |
| | OR | |

07

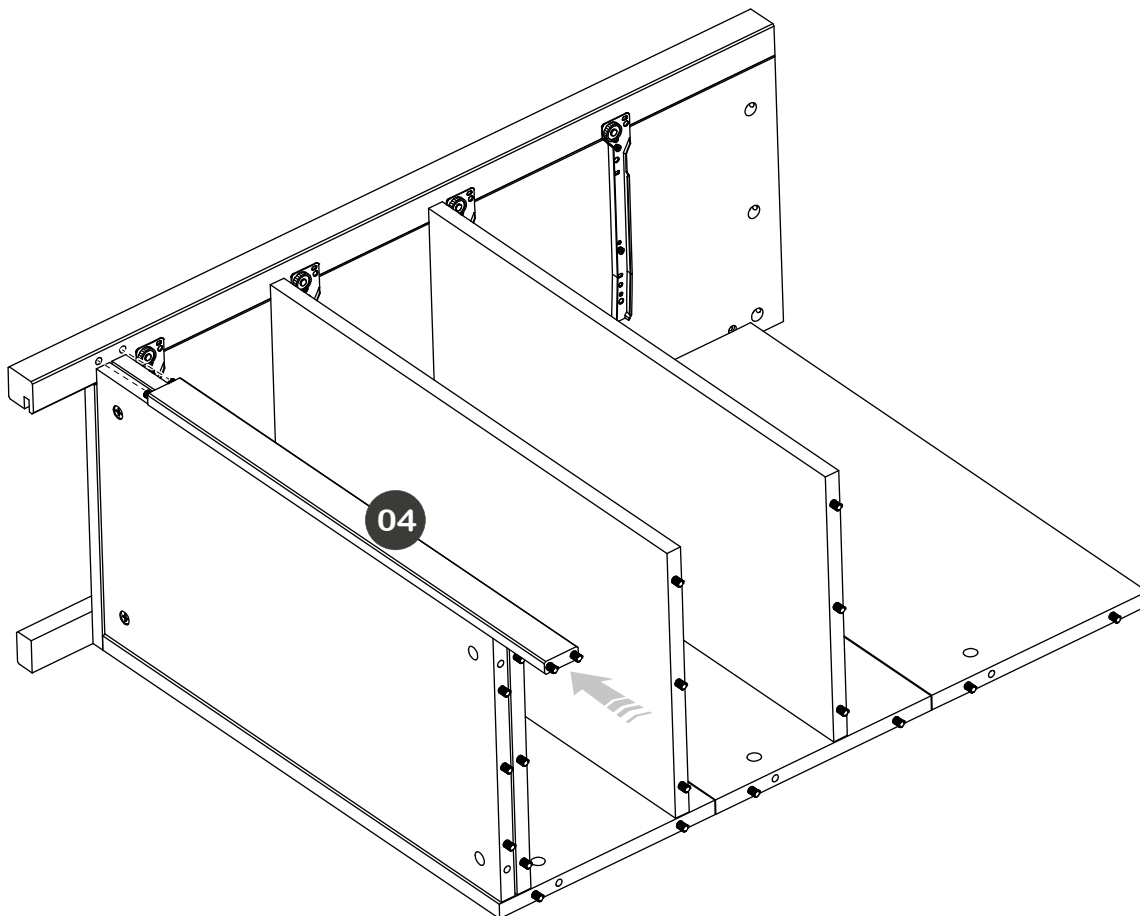


08

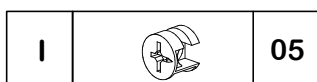
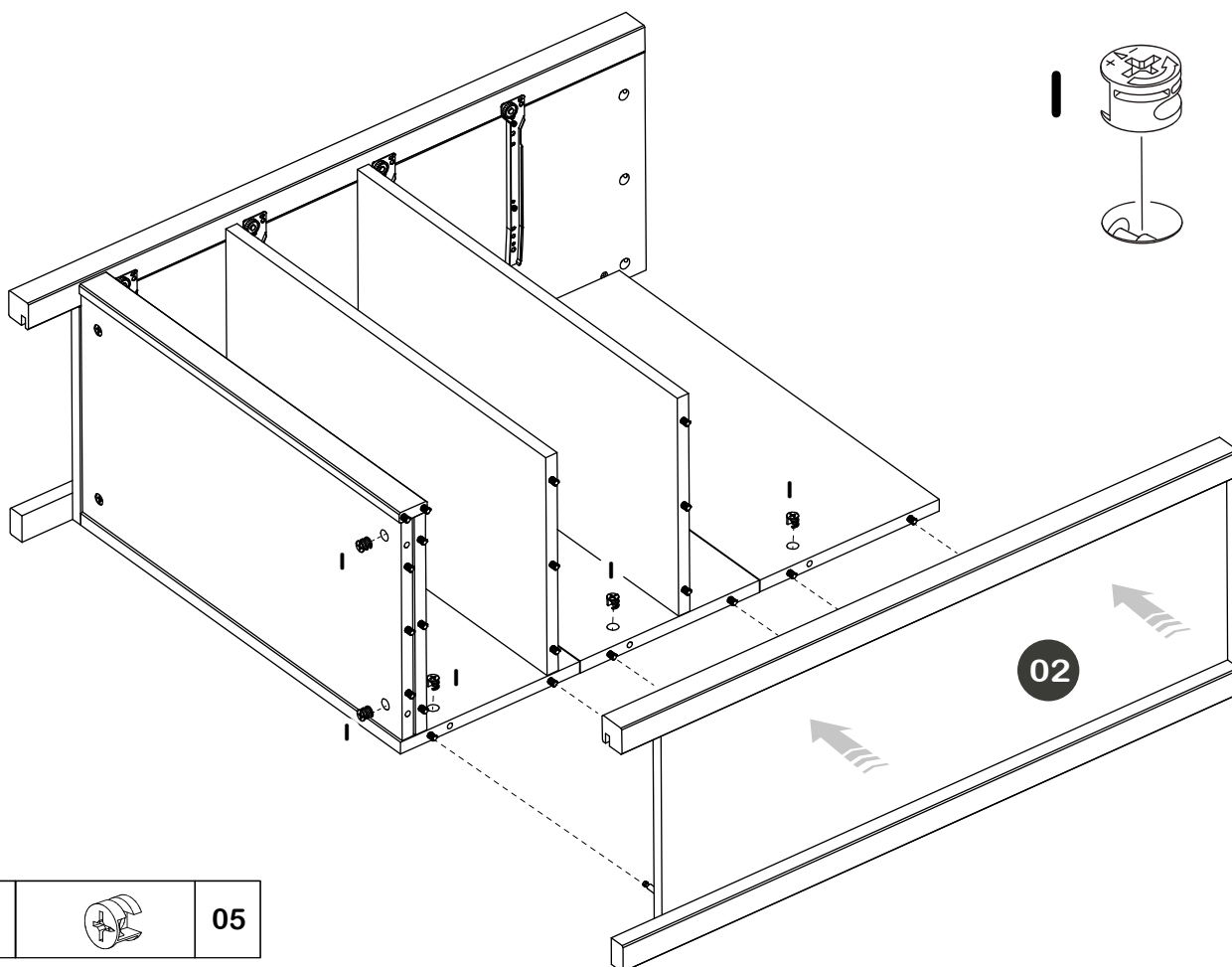


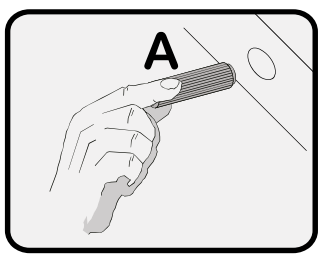
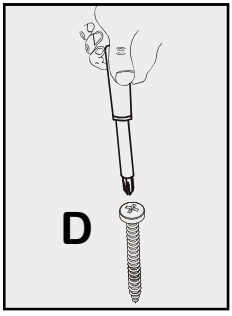
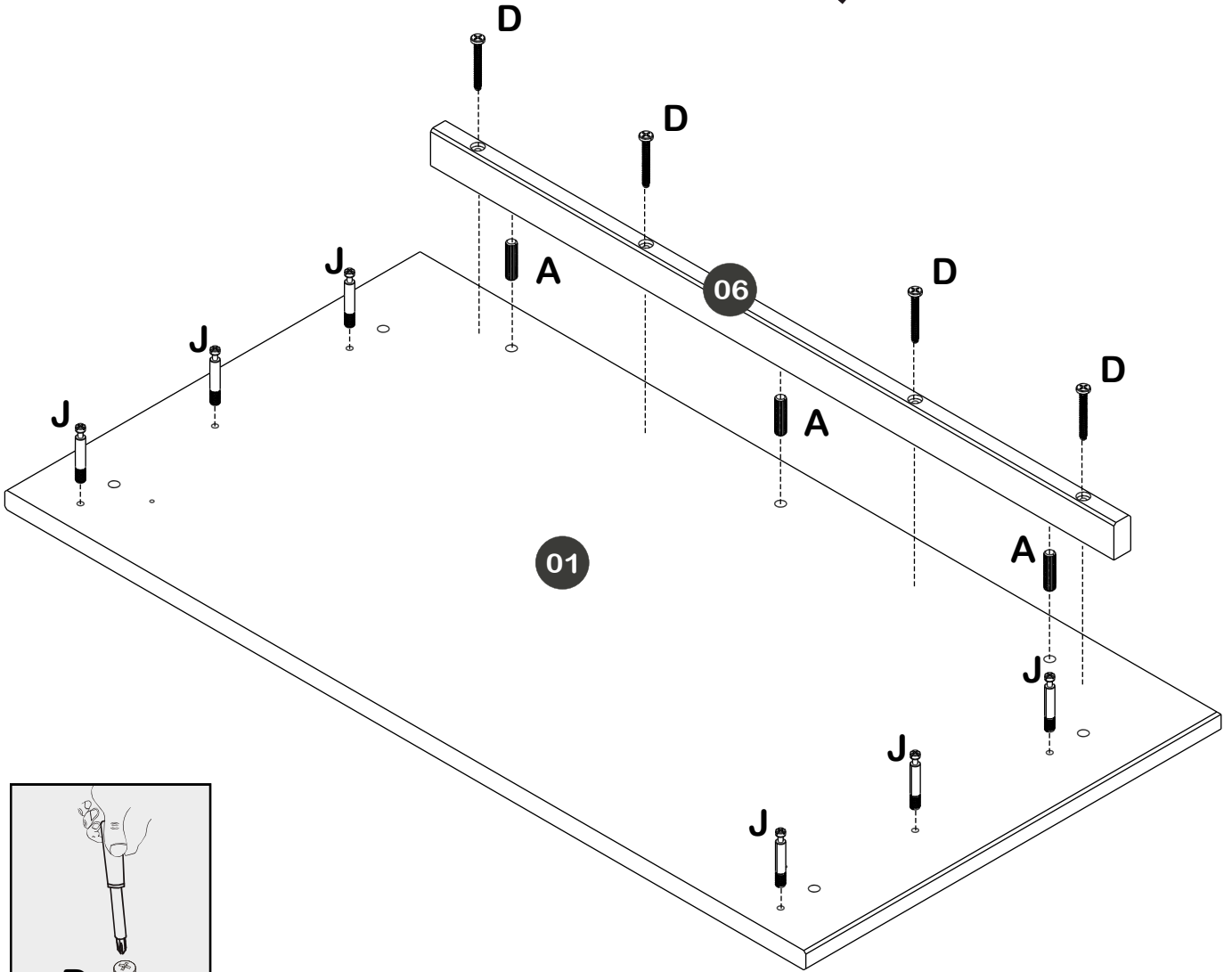
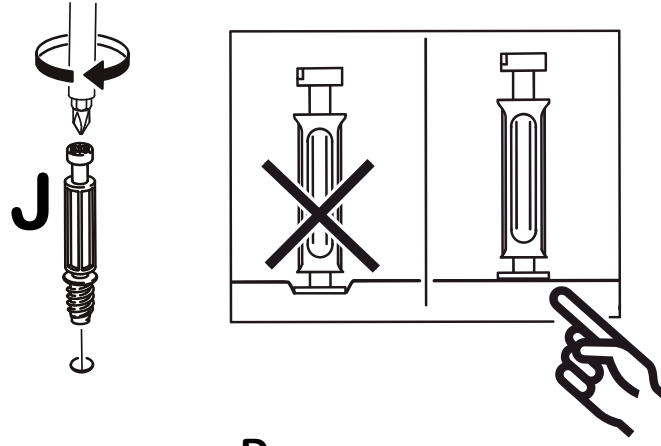
| | | |
|---|--|----|
| I | | 02 |
|---|--|----|

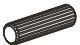
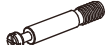

09



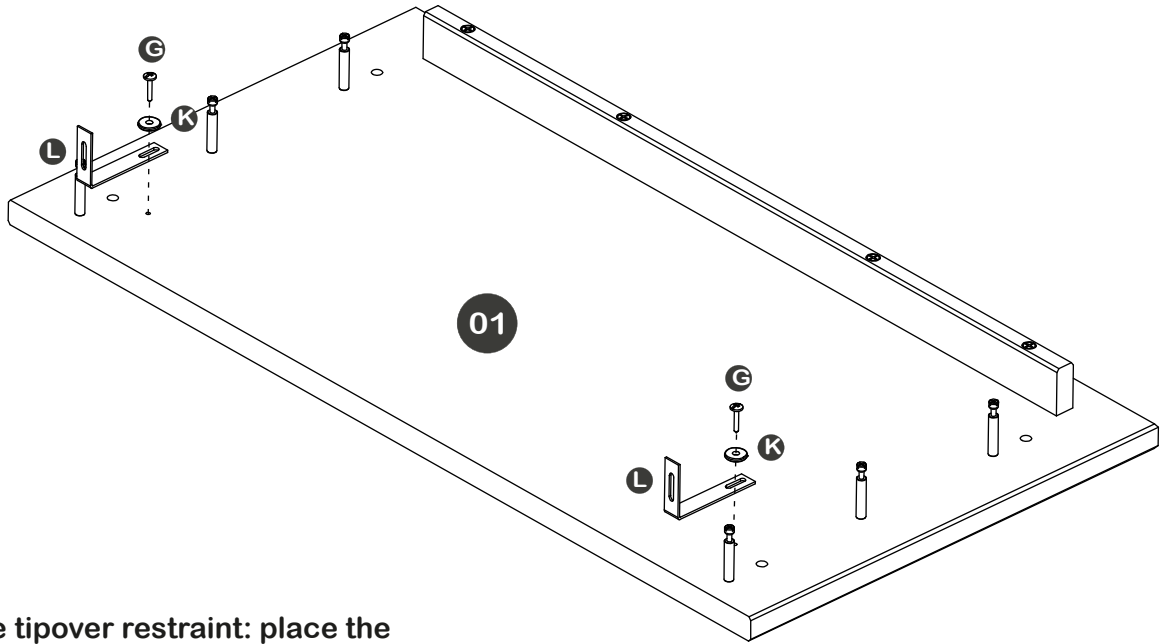
10



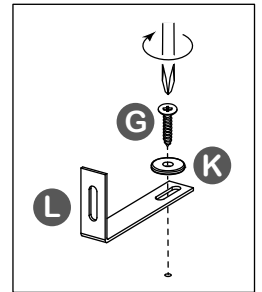


| | | | | | | | | |
|---|---|----|---|---|----|---|---|----|
| A |  8x30mm | 03 | J |  | 06 | D |  4,0x40mm | 04 |
|---|---|----|---|---|----|---|---|----|

12

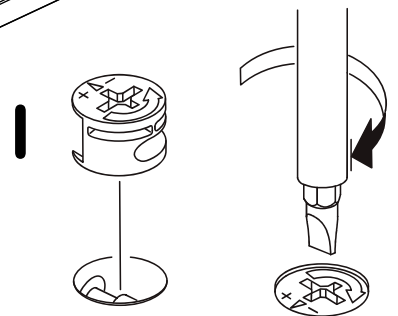
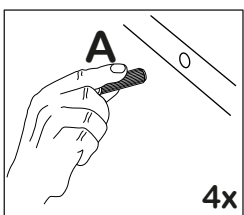
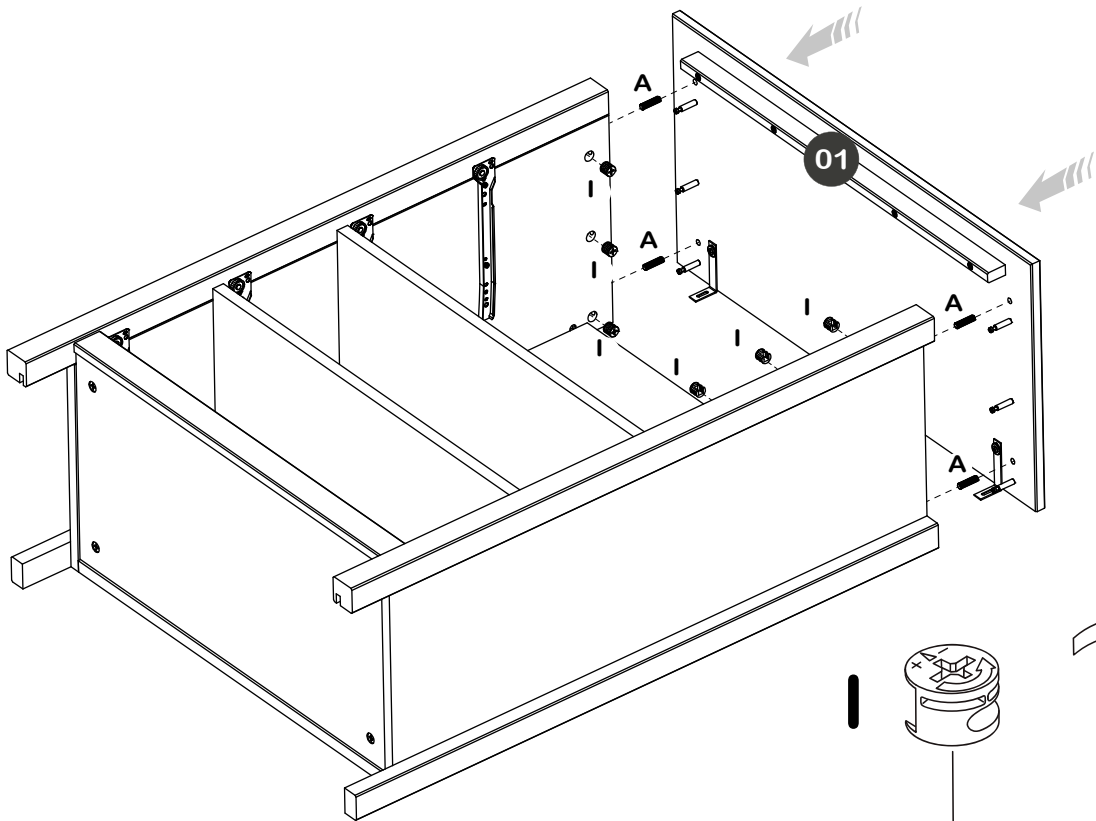


For fixing the tipover restraint: place the hardware L on the indicated hole, then following the appropriate pictogram instructions, drive the Screw G with the washer K and tighten screw firmly in the Top Panel 1.



| | | | | | | | | |
|---|--|----|---|--|----|---|--|----|
| K | | 02 | L | | 02 | G | | 02 |
|---|--|----|---|--|----|---|--|----|

13



| | | | | | |
|---|--|----|---|--|----|
| A | | 04 | I | | 06 |
|---|--|----|---|--|----|

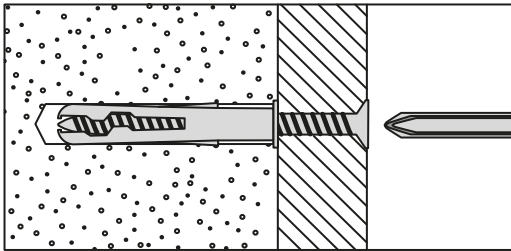
Wall Anchoring Guide:

The hardware you should use to secure your chest of drawers to the wall depends on your wall material.

Ensure you use the required drill bit to match the wall plug and hole size. Seek professional advice if in doubt. Note: Wall plugs not supplied.

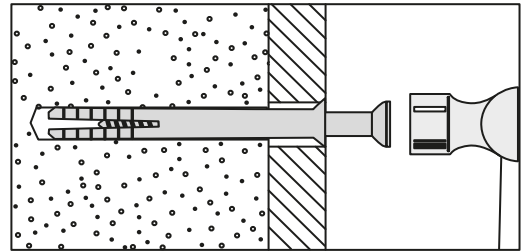
Types of wall: you can use one of the following types of wall plugs if your walls, are made of brick, breeze block, concrete, stone or wood.

General Purpose wall plug



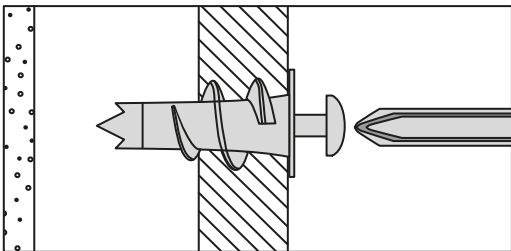
Generally aerated blocks should not be used to support heavy loads, use a specialist fitting in this case. For light loads, general purpose wall plugs can be used.

Hammer Fixing wall plug



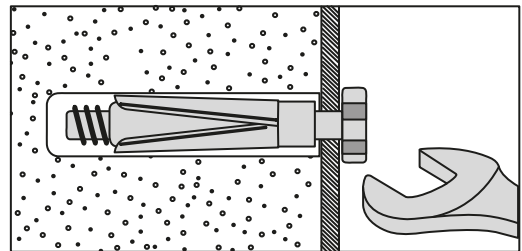
For use with walls stuck with plasterboard. The hammer fixing allows it to be fixed to the wall rather than the plasterboard. Always check the fixing is secure to the retaining wall.

Plasterboard wall plug



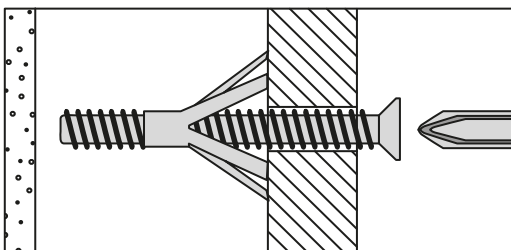
For use when attaching light loads on plasterboards partitions.

Wall plug Heavy loads



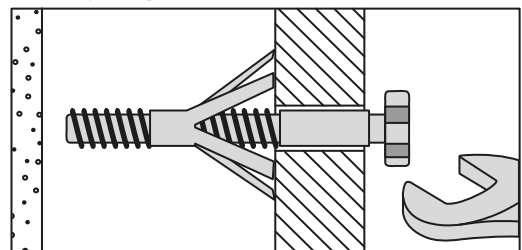
For use with heavier loads such as TV & HiFi speakers and satellite dishes etc.

Cavity Fixing wall plug



For use with plasterboard partitions or hollow wooden doors.

Cavity Fixing-Heavy Duty wall plug

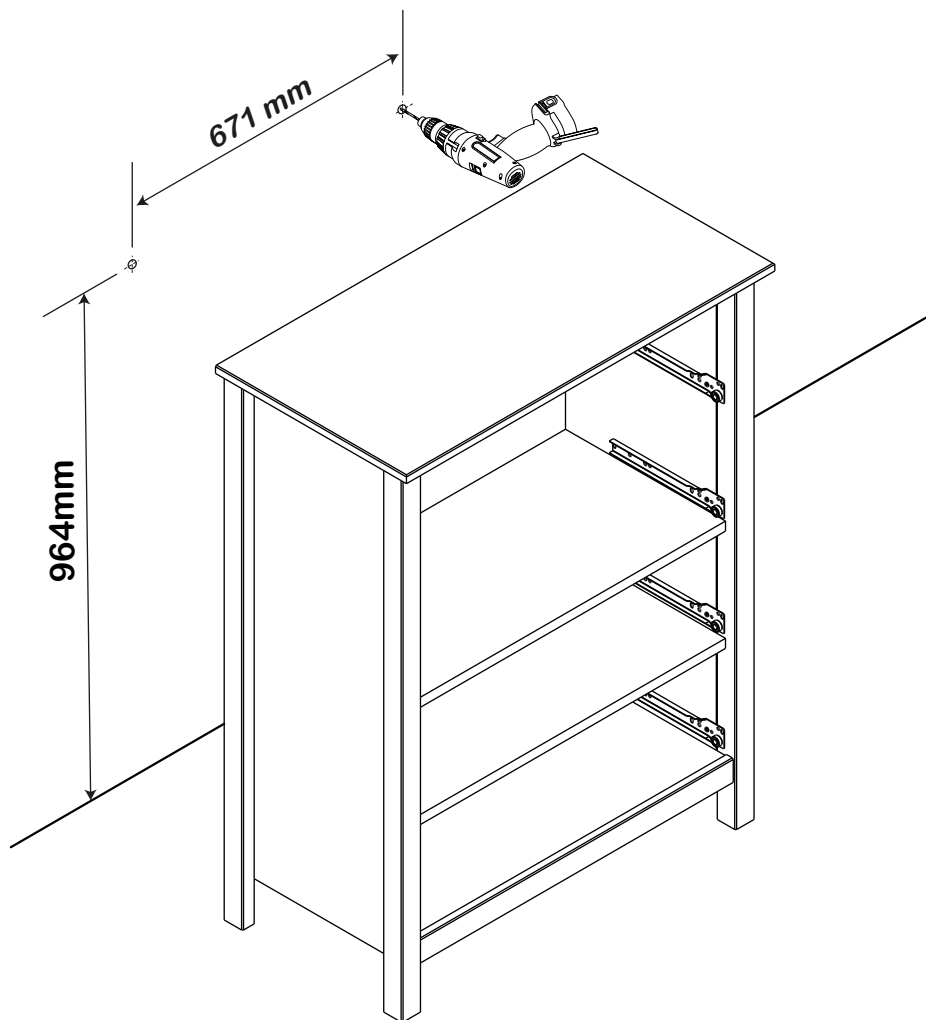


For use when fitting or supporting heavy loads such as shelving, wall cabinets and coat racks.

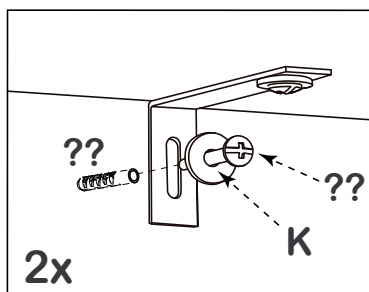
If your wall material is not listed here, or if you have any questions, consult your local hardware store.

14

- Ensure you use the required drill bit to match your wall plug and hole size.
- Drill the hole(s).



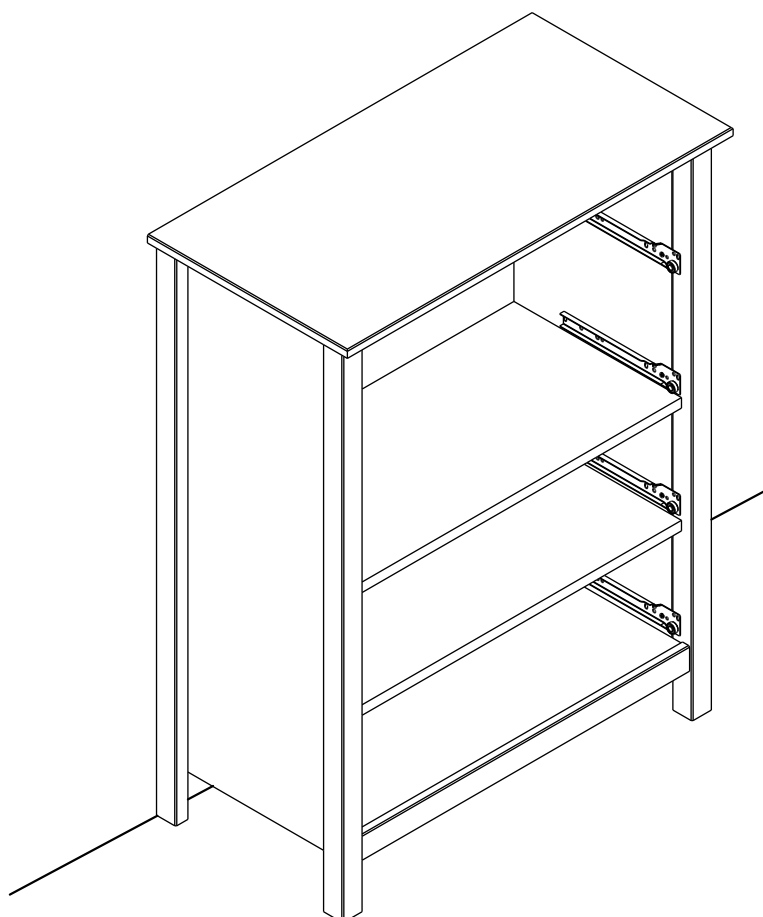
15




- Insert the wall plug (not provided) into the wall hole;
- For fixing the tipover restraint: drive the screw (not provided) with the washer H and tighten screw firmly in the wall. Do not over-tighten.

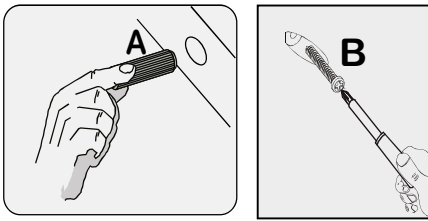


Furniture must be fixed to a wall.
Note: Wall plugs not supplied.
The correct type of fixing must be used for your wall,
seek professional advice if in doubt.



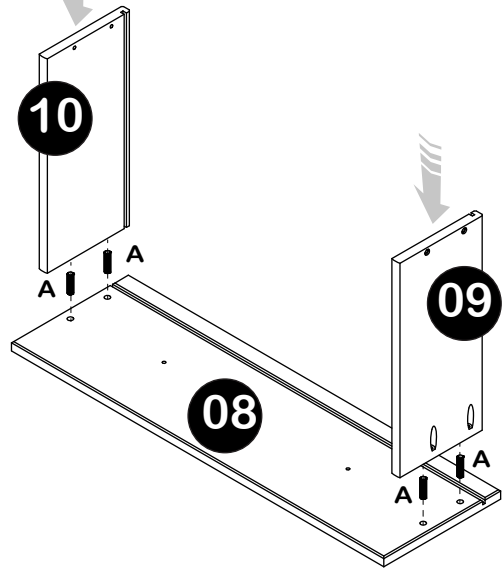
| | | |
|---|---|----|
| K |  | 02 |
|---|---|----|

16

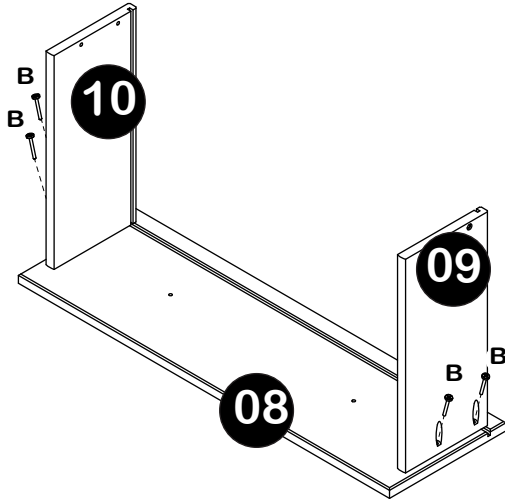


4x

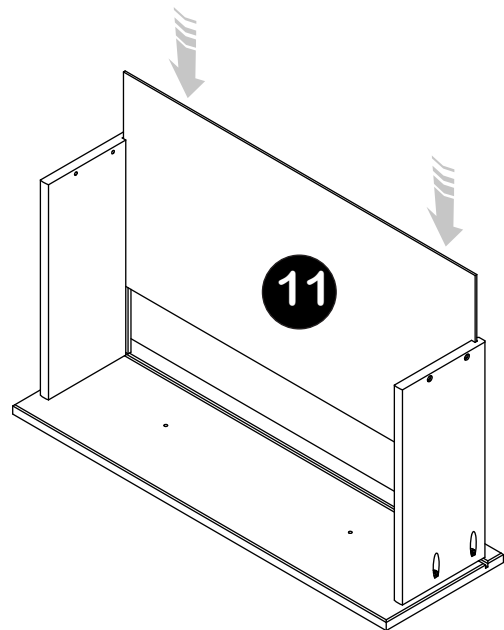
a)



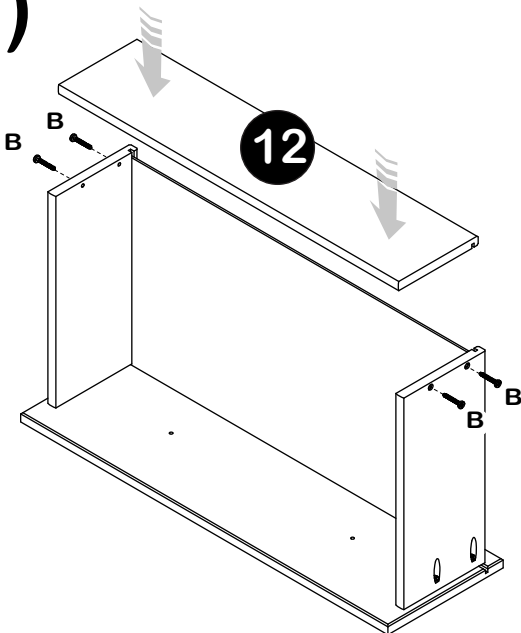
b)



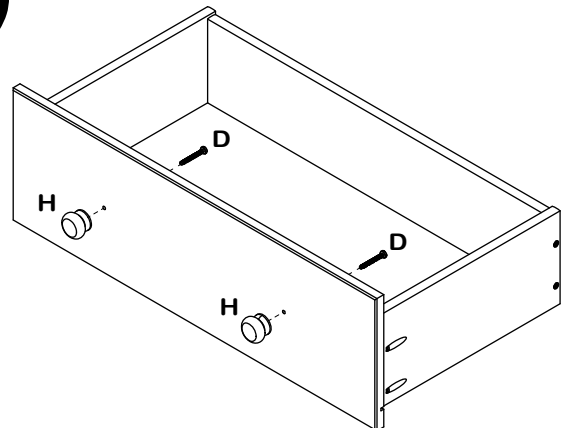
c)







d)



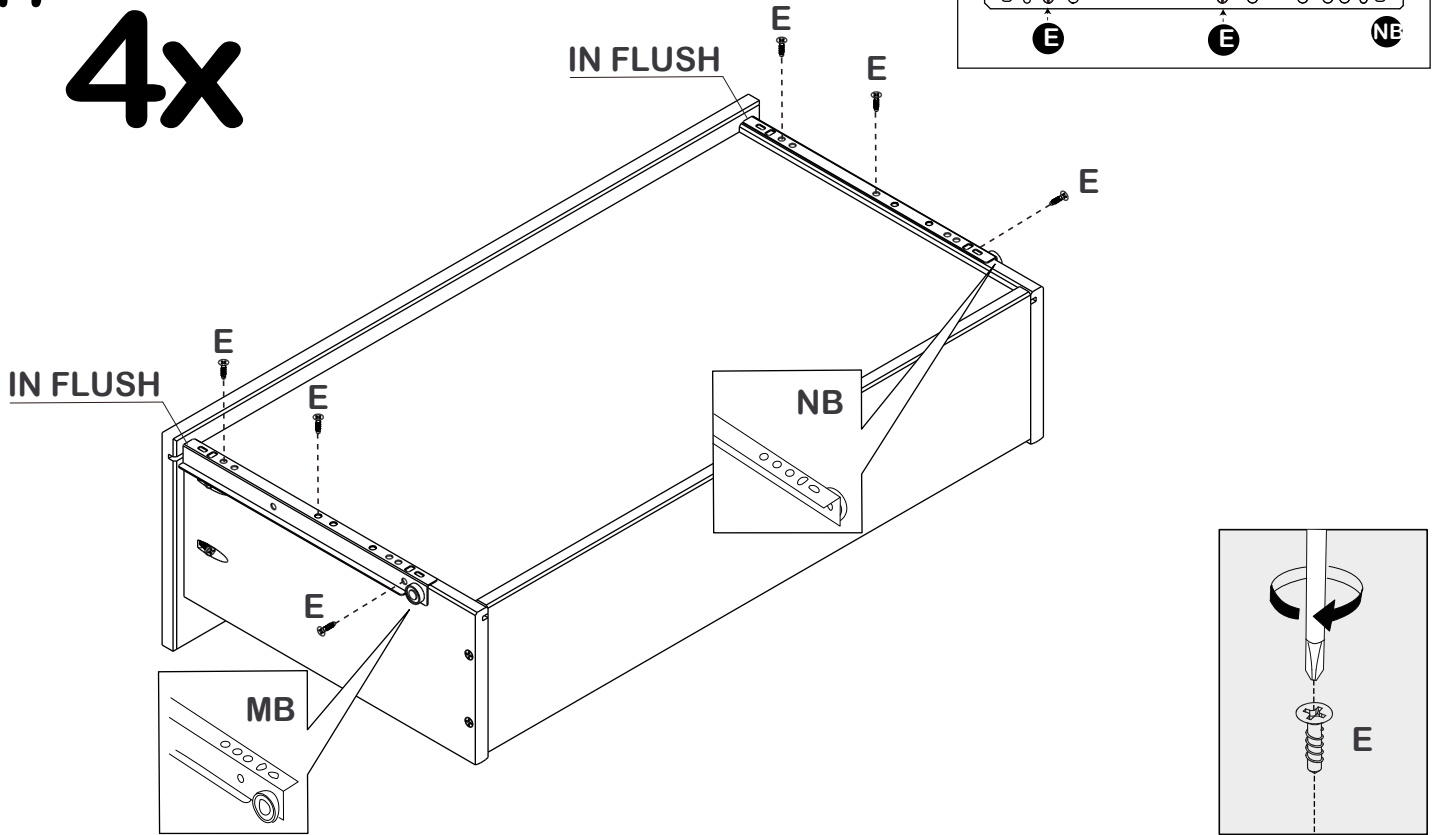
e)


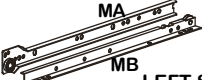
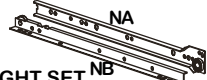


| | | | | | | | | | | | |
|---|---|----|---|---|----|---|---|----|---|---|----|
| B |  | 32 | A |  | 16 | H |  | 08 | D |  | 08 |
| | 3,5x30mm | | | | | | | | | 4,0x40mm | |

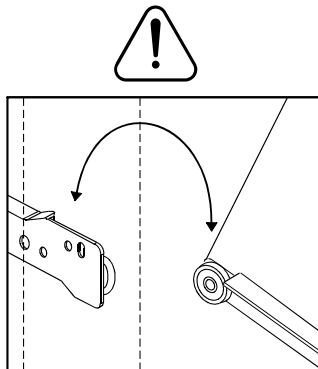
17

4x



| | | | | | | | | |
|---|---|----|---|--|----|---|---|----|
| E |  3,0x16mm | 24 | M |  MA MB LEFT SET | 04 | N |  NA NB RIGHT SET | 04 |
|---|---|----|---|--|----|---|---|----|

18



WARNING

Children have died from furniture tipover. To reduce the risk of furniture tipover:

- ALWAYS install tipover restraint provided
- NEVER put a TV on this product
- NEVER allow children to stand, climb or hang on drawers, doors, or shelves.
- NEVER open more than one drawer at a time.
- Place heaviest items in the lowest drawers.

This is a permanent label. Do not remove!

The side drawer with WARNING LABEL, should be mounted in highest drawer.

