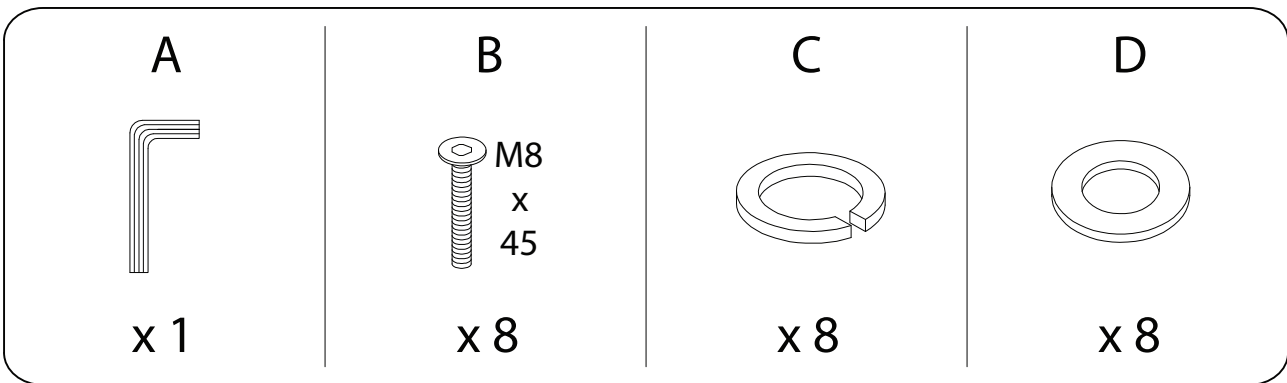
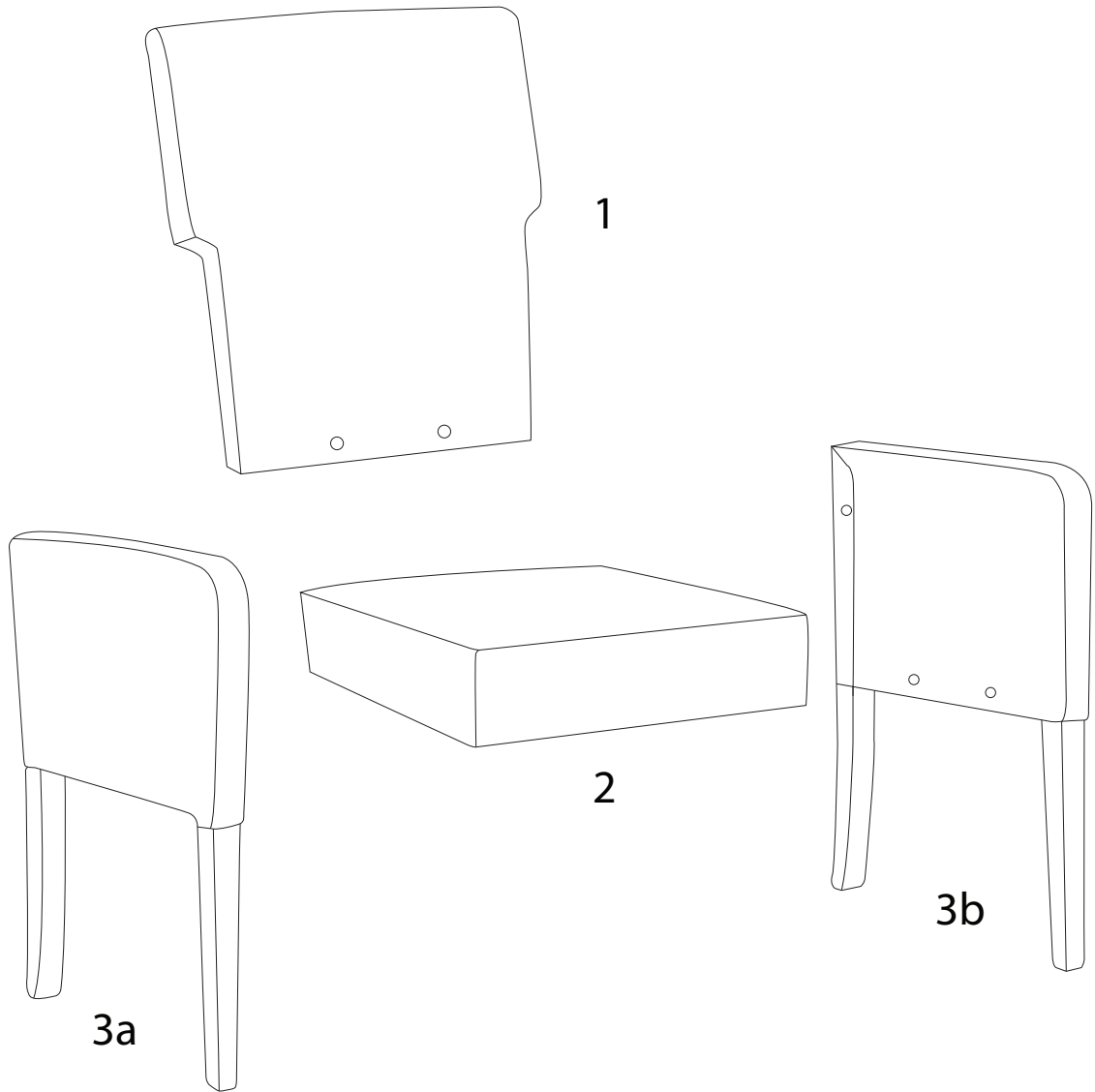
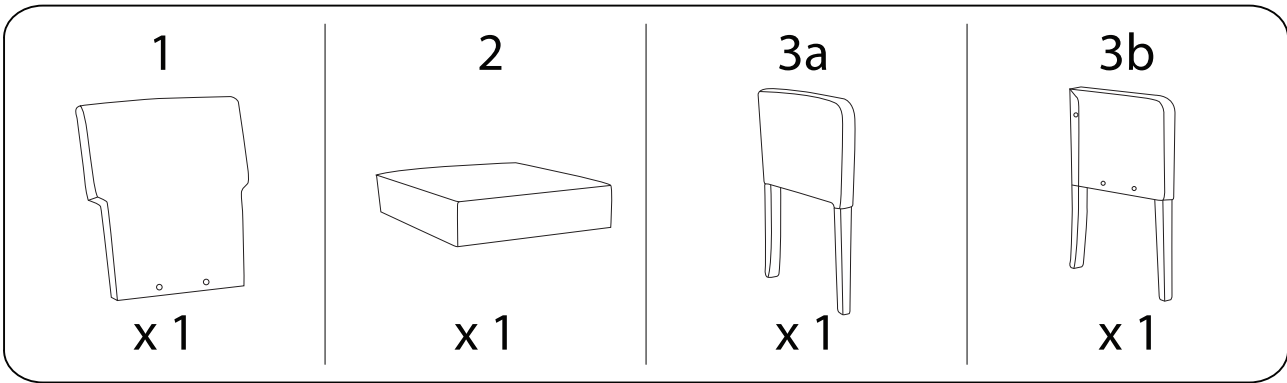
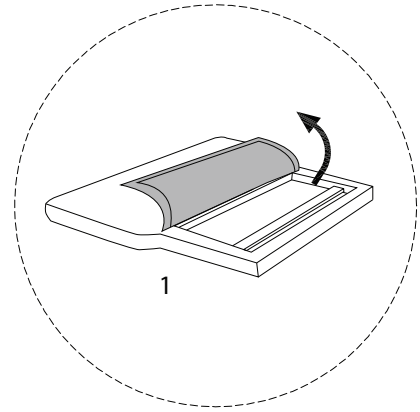
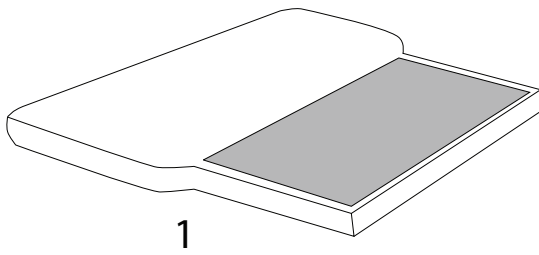


		<b>30'</b>
		<b>1</b>

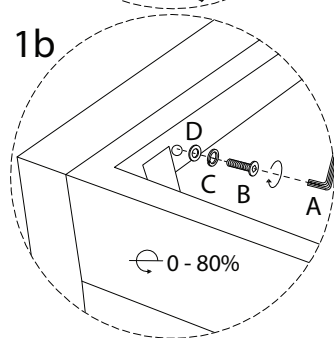
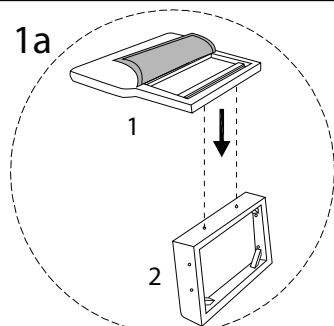
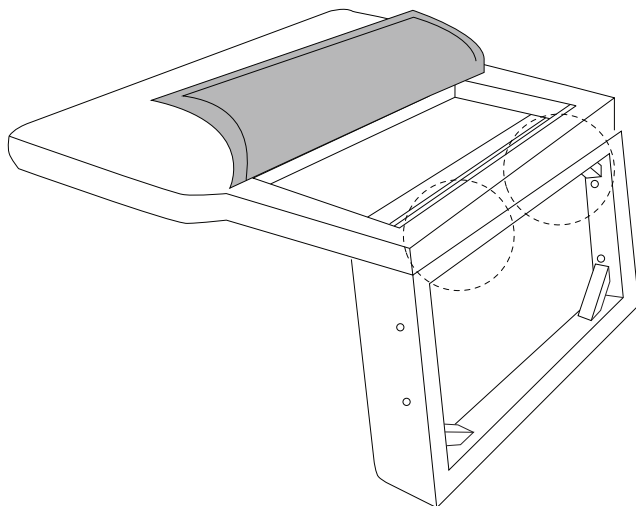


!




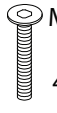
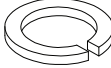



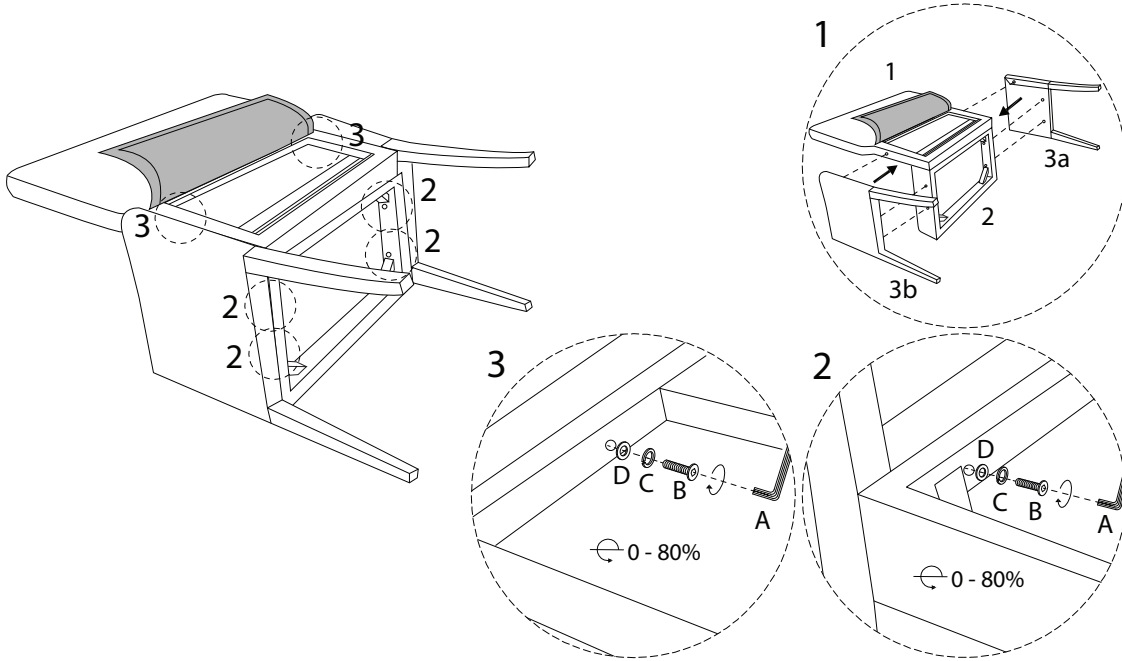
1

<p>1 x 1</p>	<p>2 x 1</p>	<p>A x 1</p>	<p>B M8 x 45 x 2</p>	<p>C x 2</p>	<p>D x 2</p>
------------------	------------------	------------------	--------------------------------------	------------------	------------------




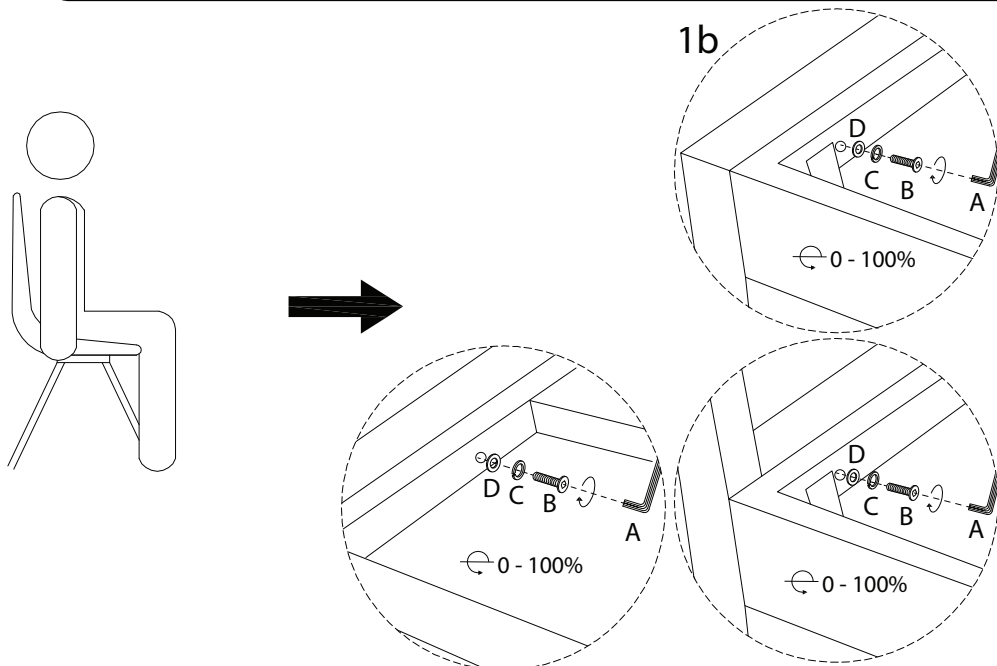
2

<b>3a</b>  x 1	<b>3b</b>  x 1	<b>A</b>  x 1	<b>B</b>  x 6	<b>C</b>  x 6	<b>D</b>  x 6
---	---	--	--	--	--



3

<b>A</b>  x 1
--



!

