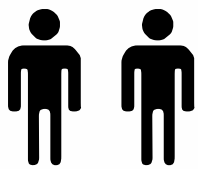
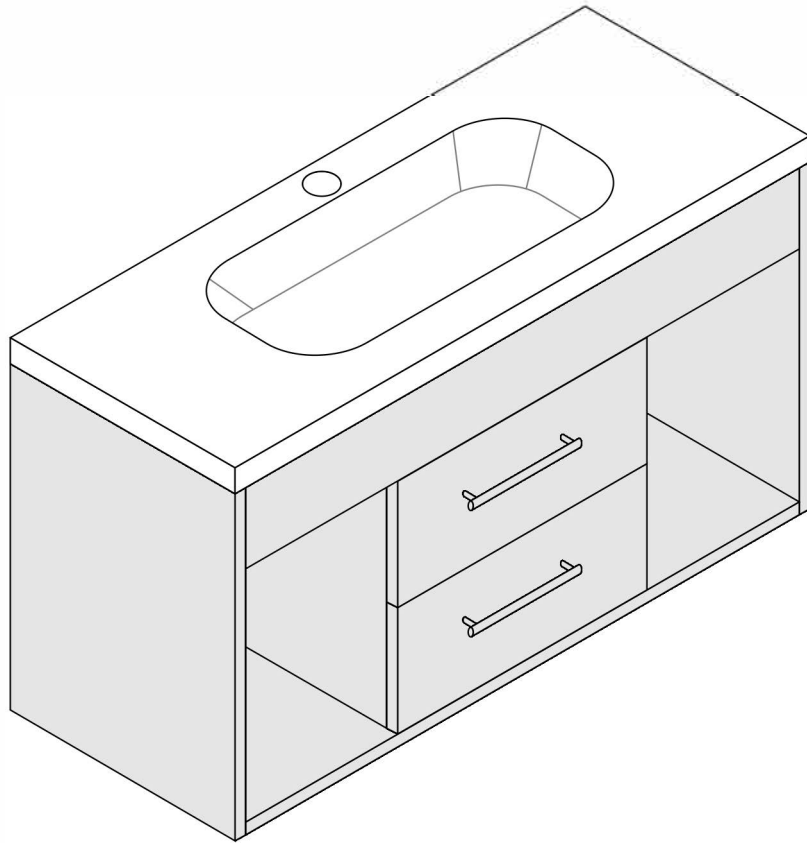


# Installation Instructions

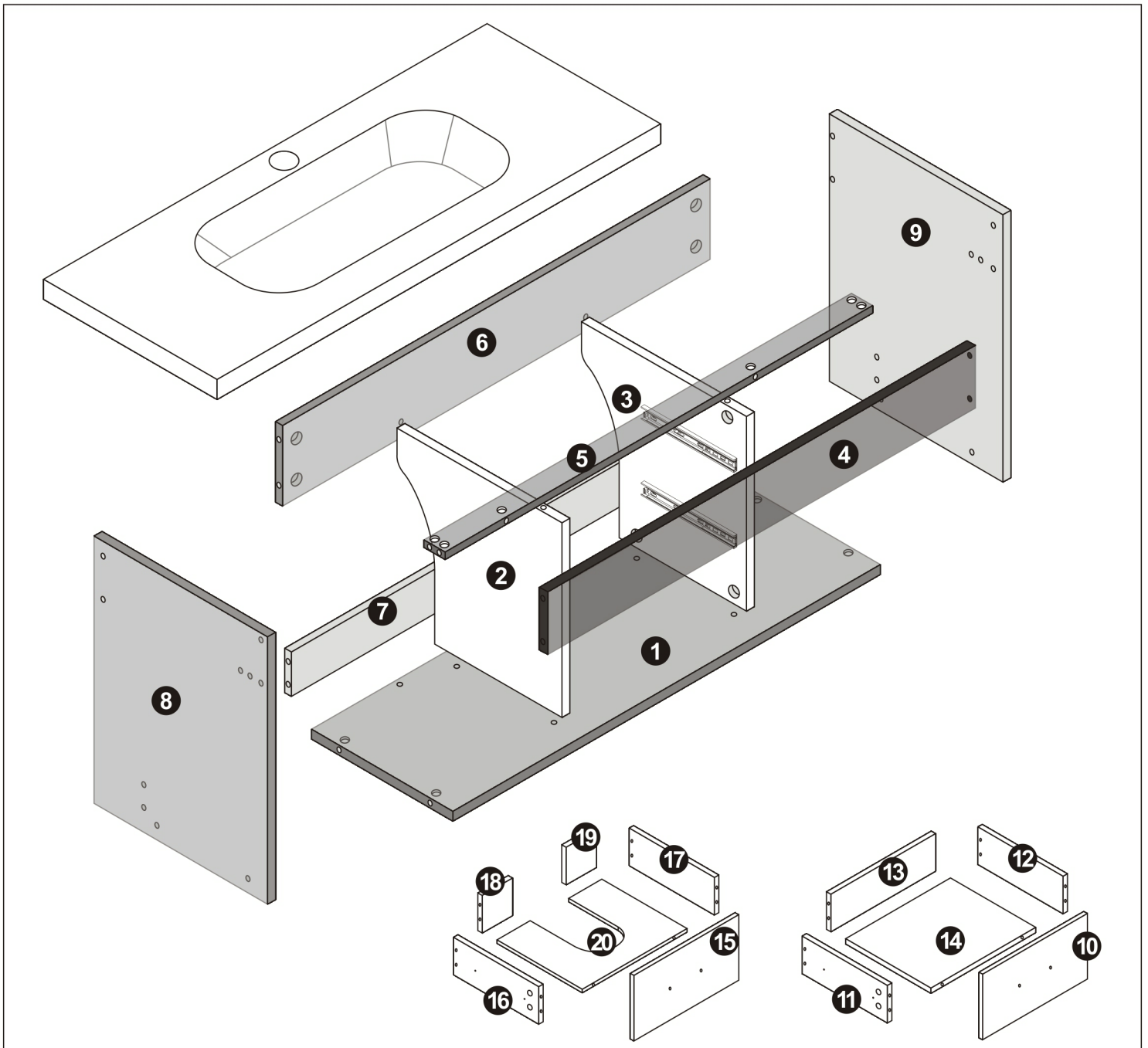
## Bathroom cabinet



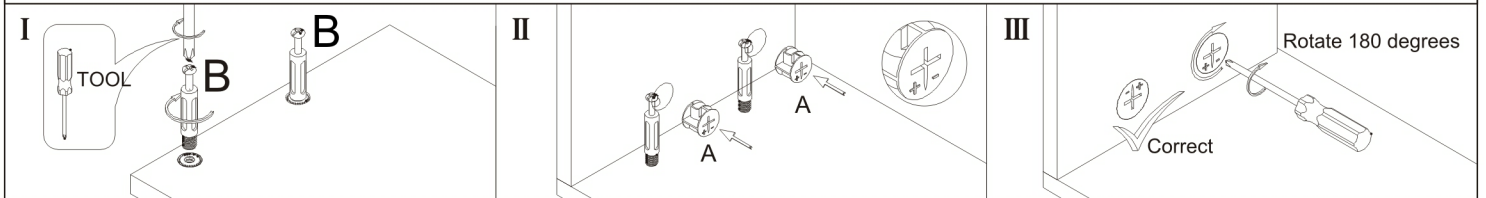
2 Persons












L858\*W448\*H458MM

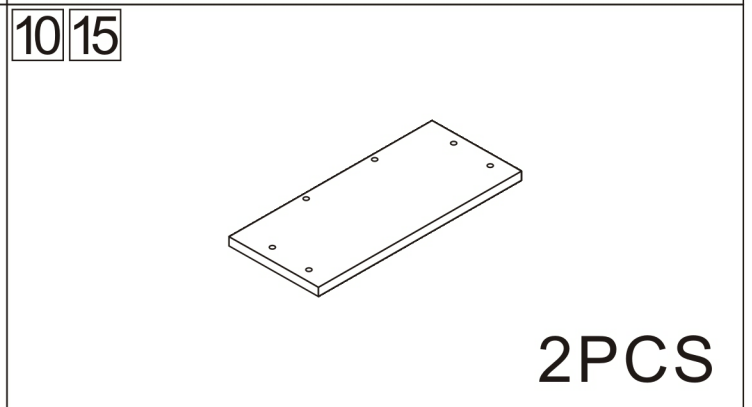
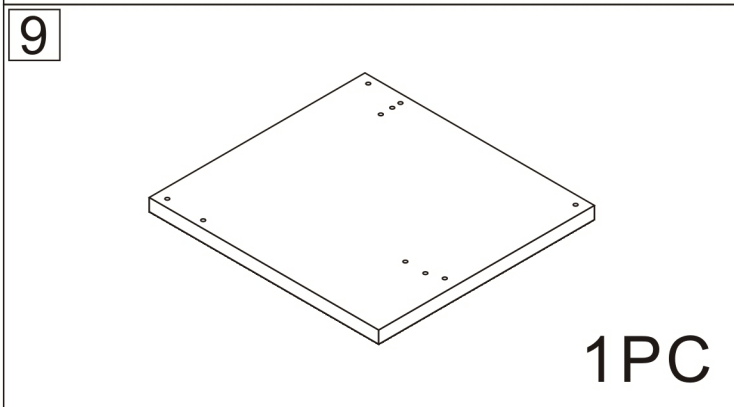
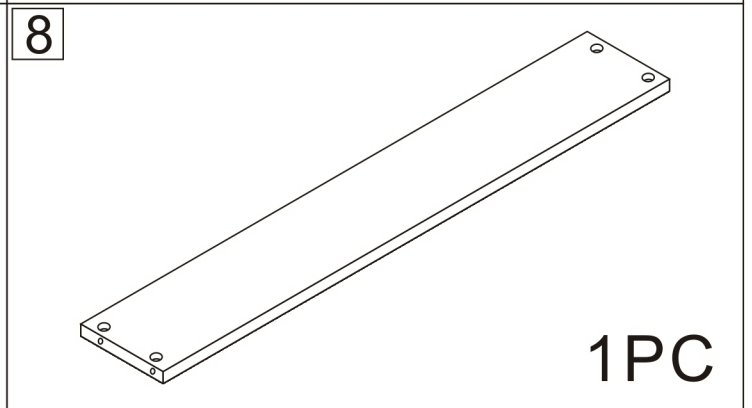
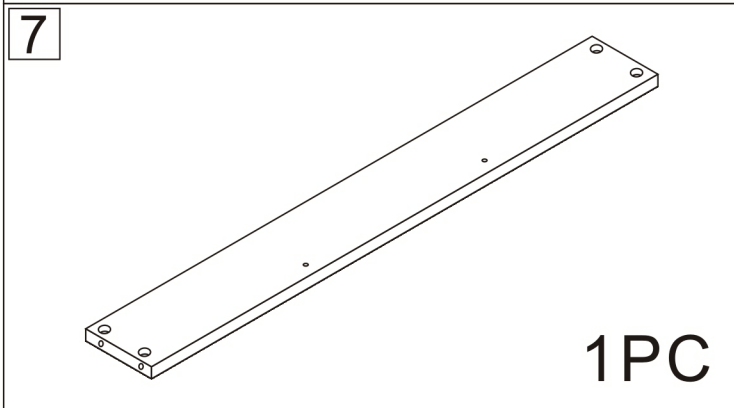
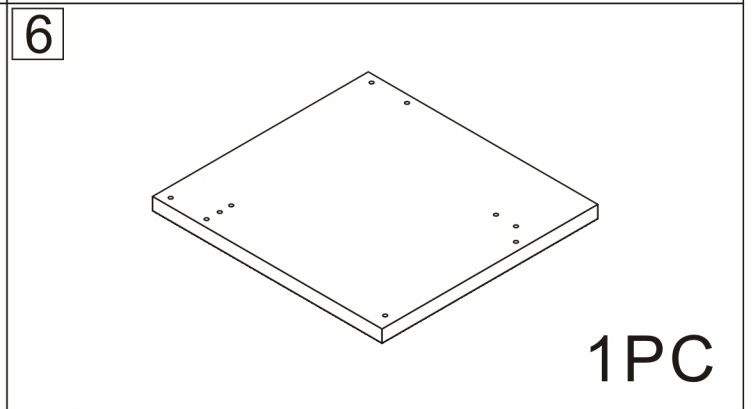
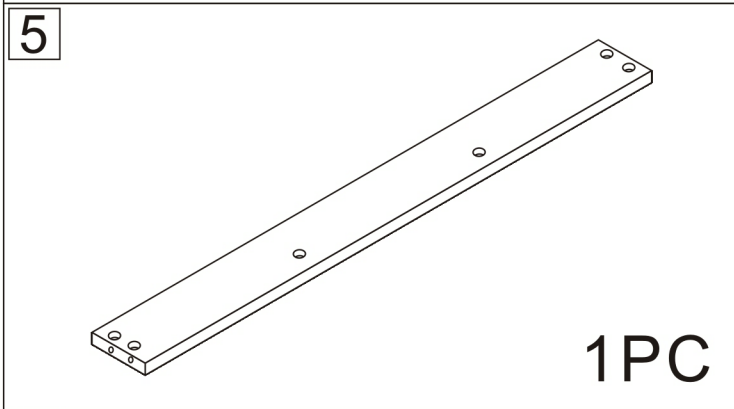
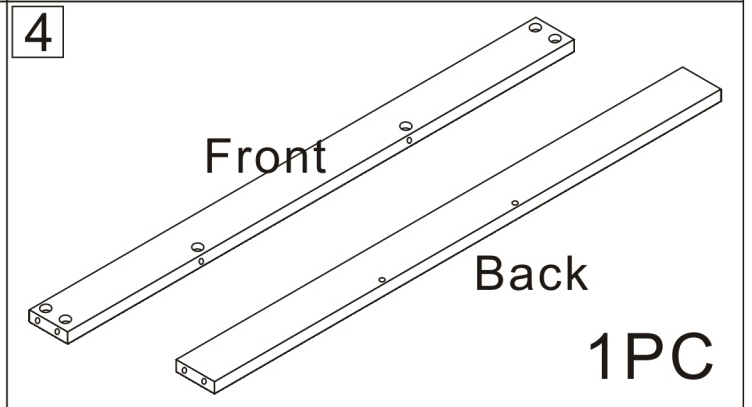
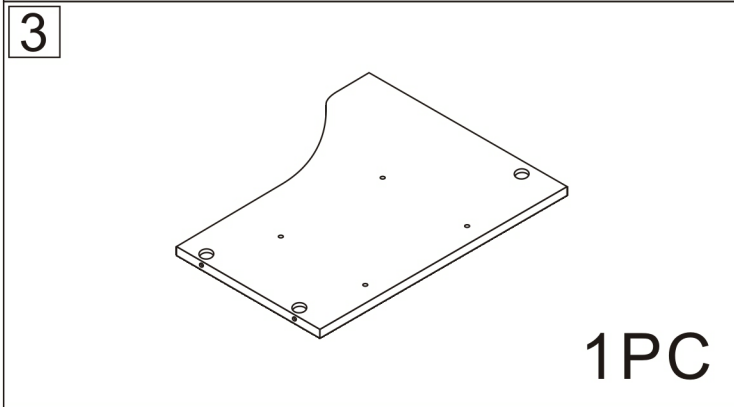
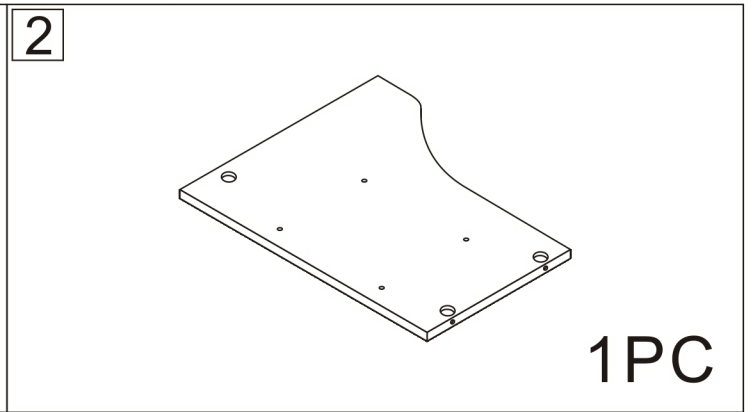
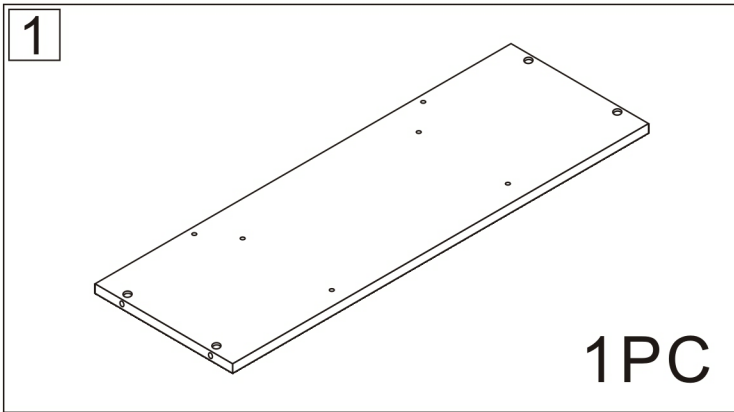
Notes: Don't tighten screws completely at first, just in case parts were assembled wrongly and need disassemble. Tighten screws at last when all parts are put together.



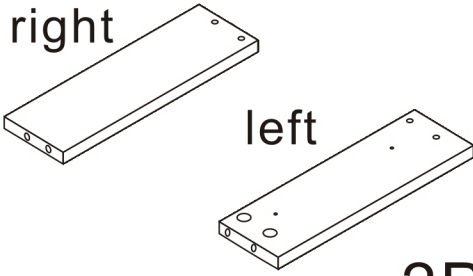
Disassembly and installation of accessories



<b>A</b> 42PCS  15*10mm	<b>B</b> 42PCS  6*28mm	<b>C</b> 57PCS  3.5*14mm	<b>D</b> 20PCS  3.5*35mm	<b>E</b> 2PCS  7*38mm	<b>F</b> 2PCS  Pendant	<b>G</b> 4PCS  4*18	<b>H</b> 2PCS  128 handles	
<b>I</b> 2PCS  Three-section Rail	<b>J</b> 4PCS  Expansion screw	<b>L</b> 2PCS  Corner code						

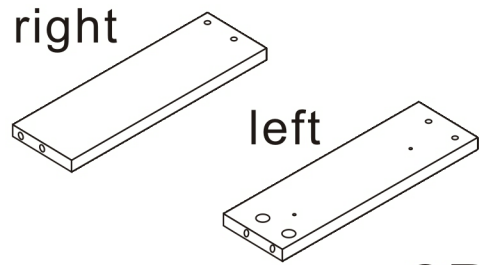


11 16



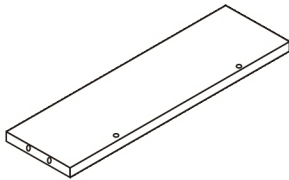
2PCS

12 17



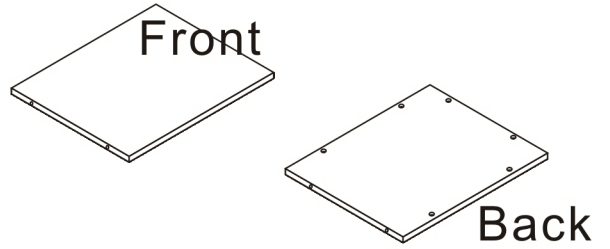
2PCS

13



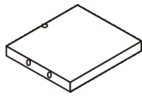
1PC

14



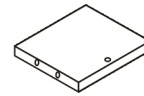
1PC

18



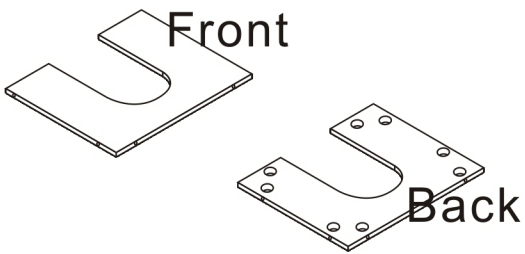
1PC

19



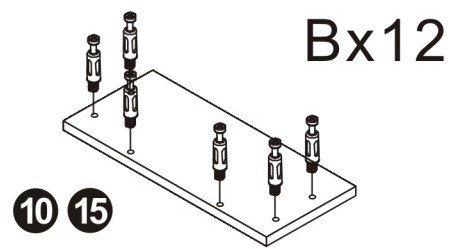
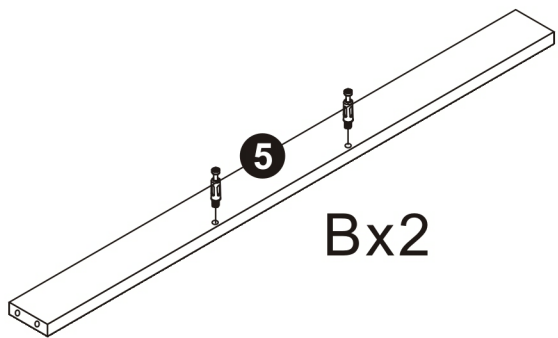
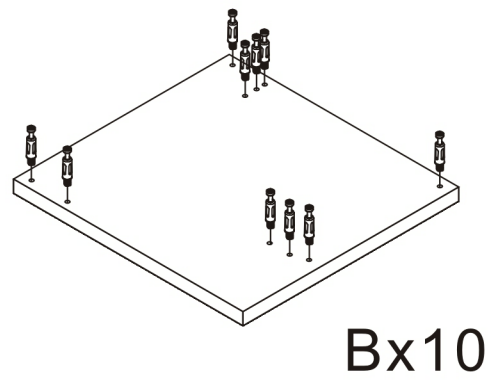
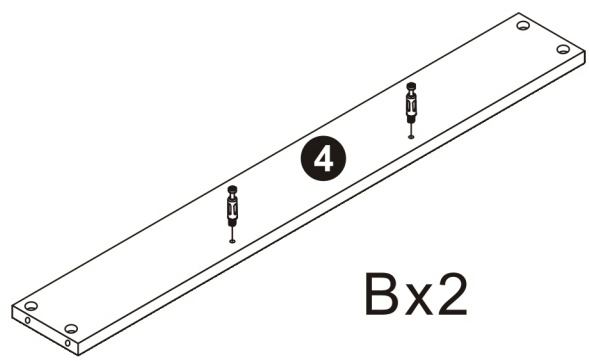
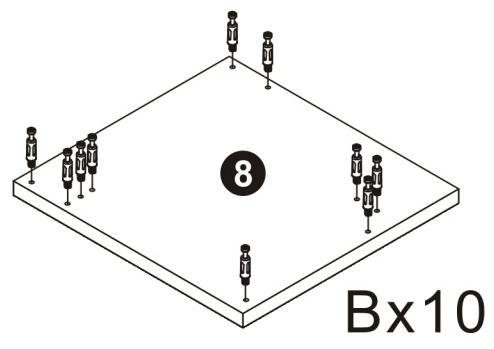
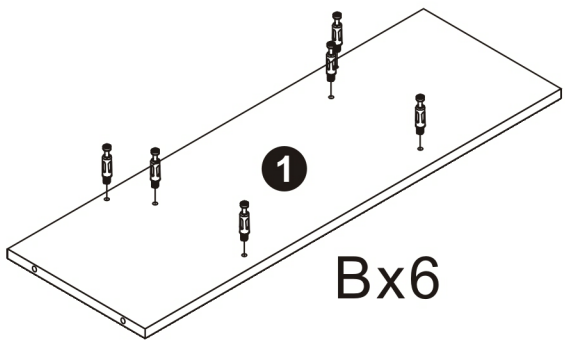
1PC


20



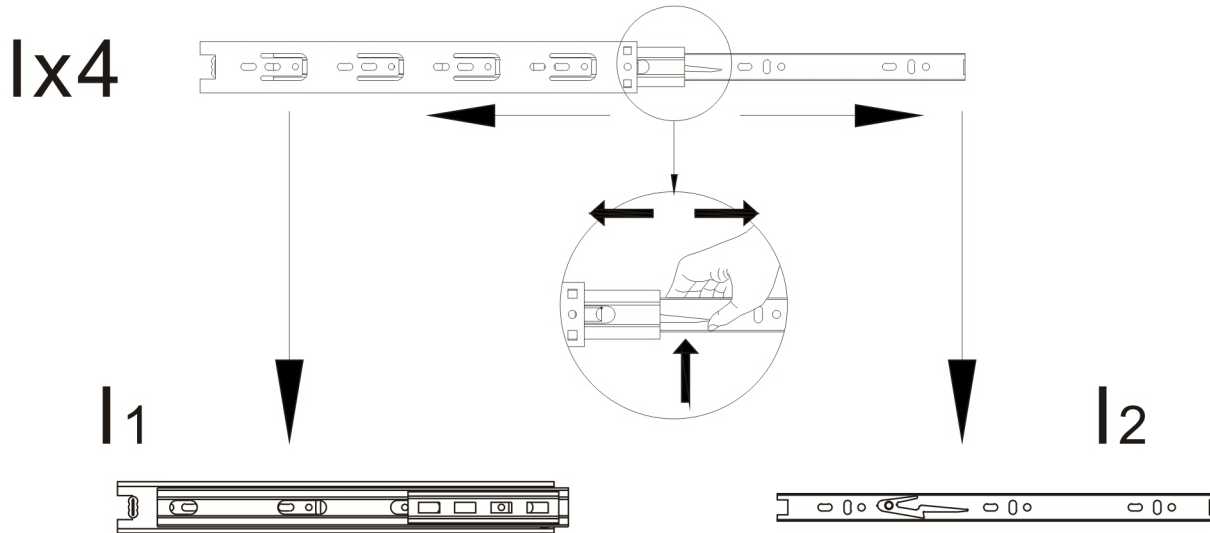
1PC


1



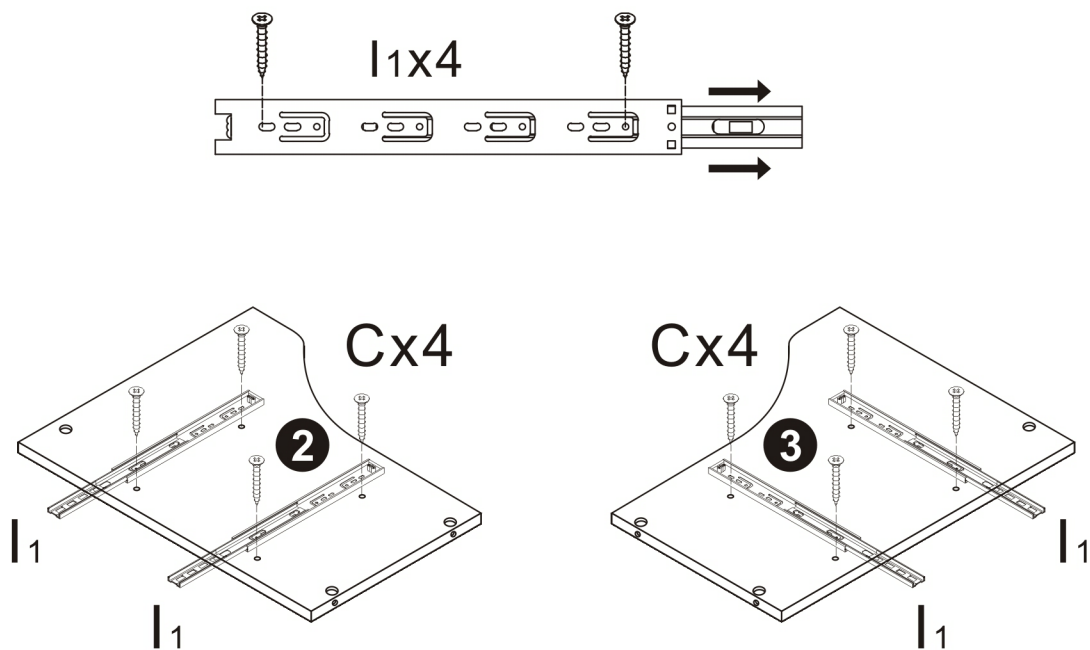
<b>B</b>	42PCS
	
6*28mm	



2



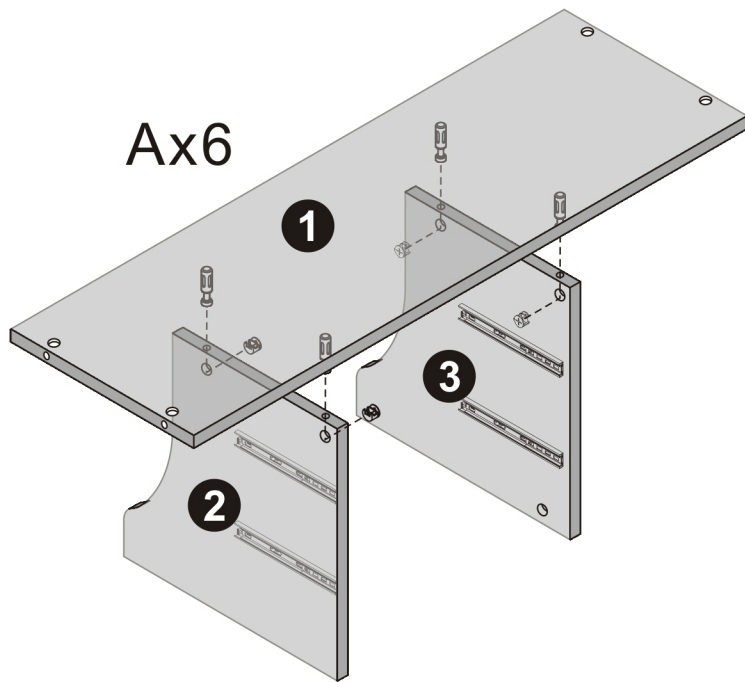
I <sub>1</sub>	4PCS
	
Three-section Rail	


3



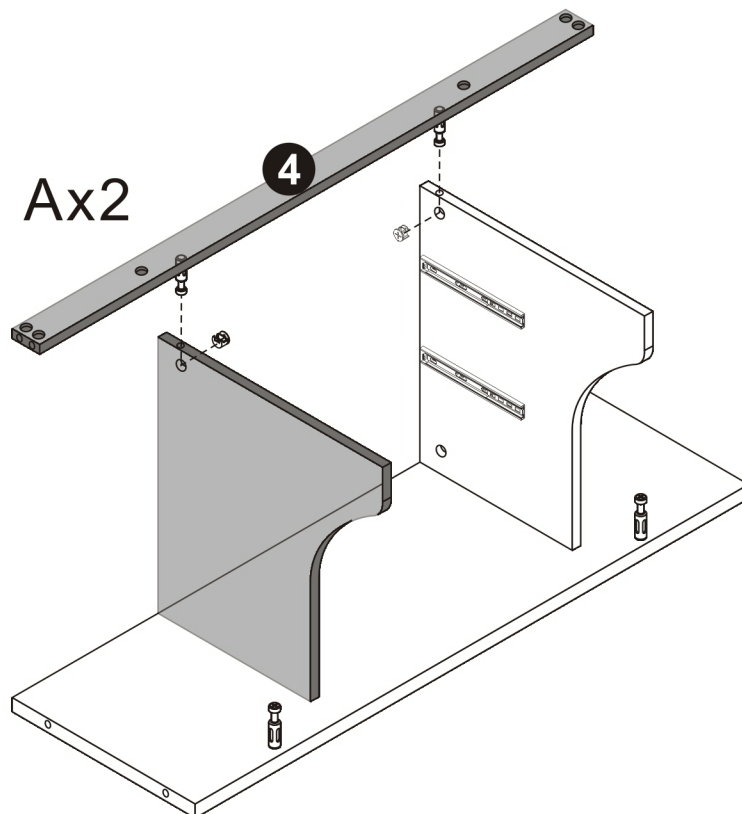
C	8PCS	I <sub>1</sub>	4PCS
			
3.5*14mm		12 inch Three-section Rail	


4



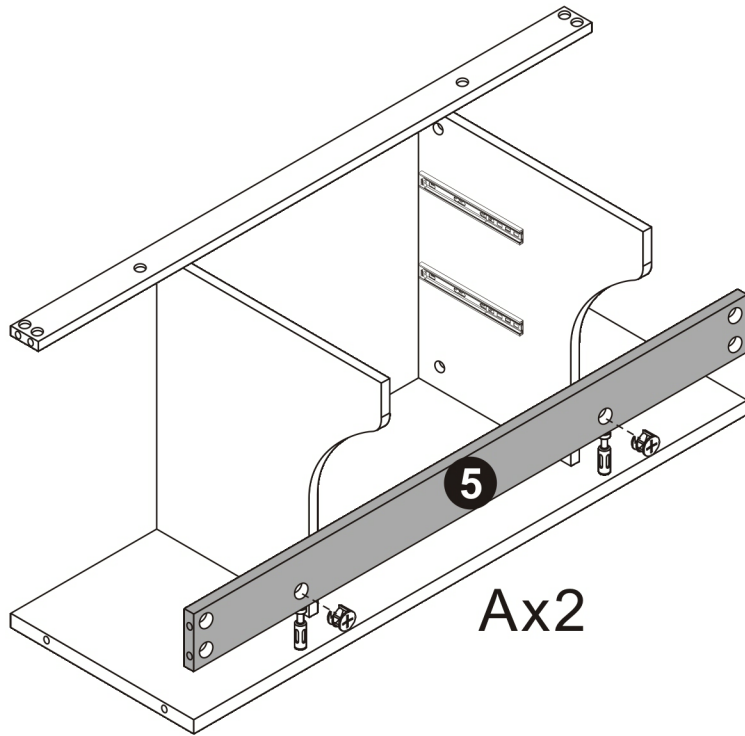
A	4PCS
	
15*10mm	


5



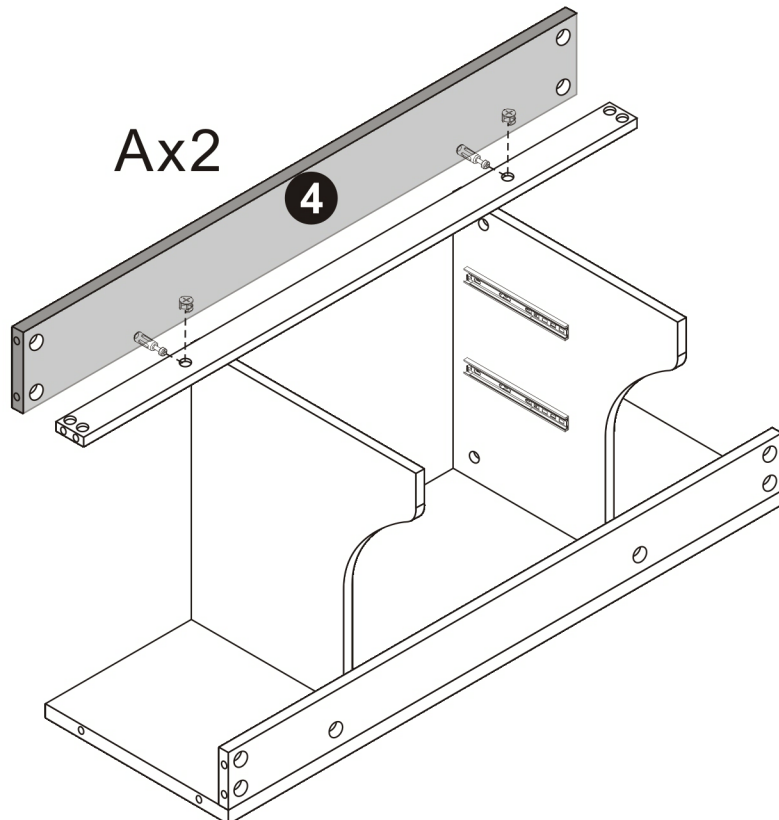
A	2PCS
	
15*10mm	


6



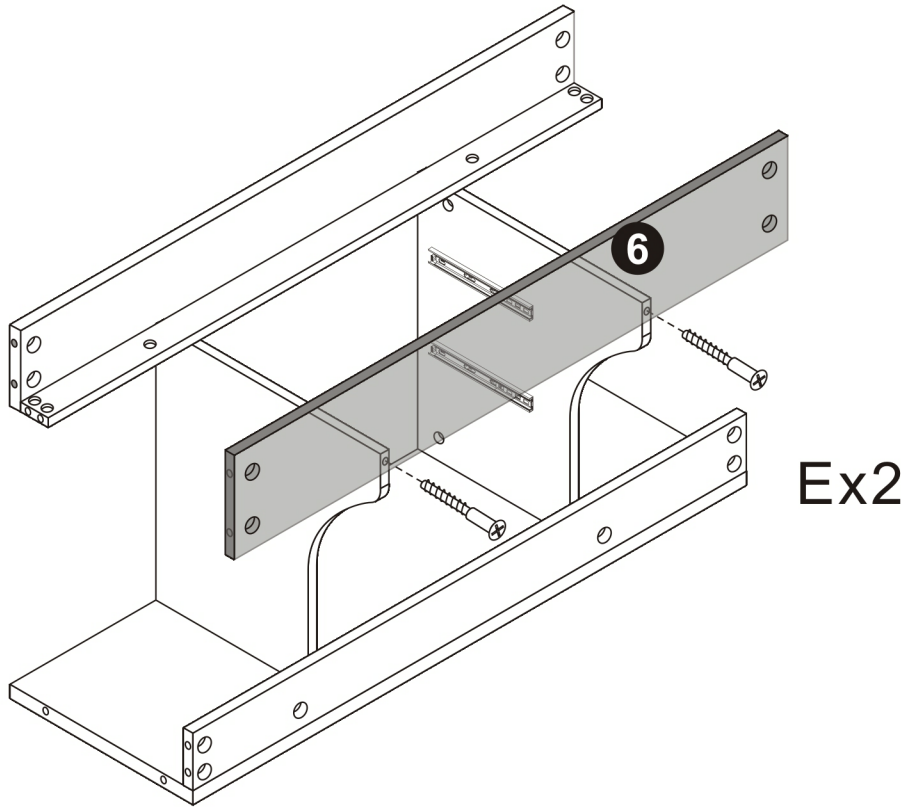
A	2PCS
	
15*10mm	


7



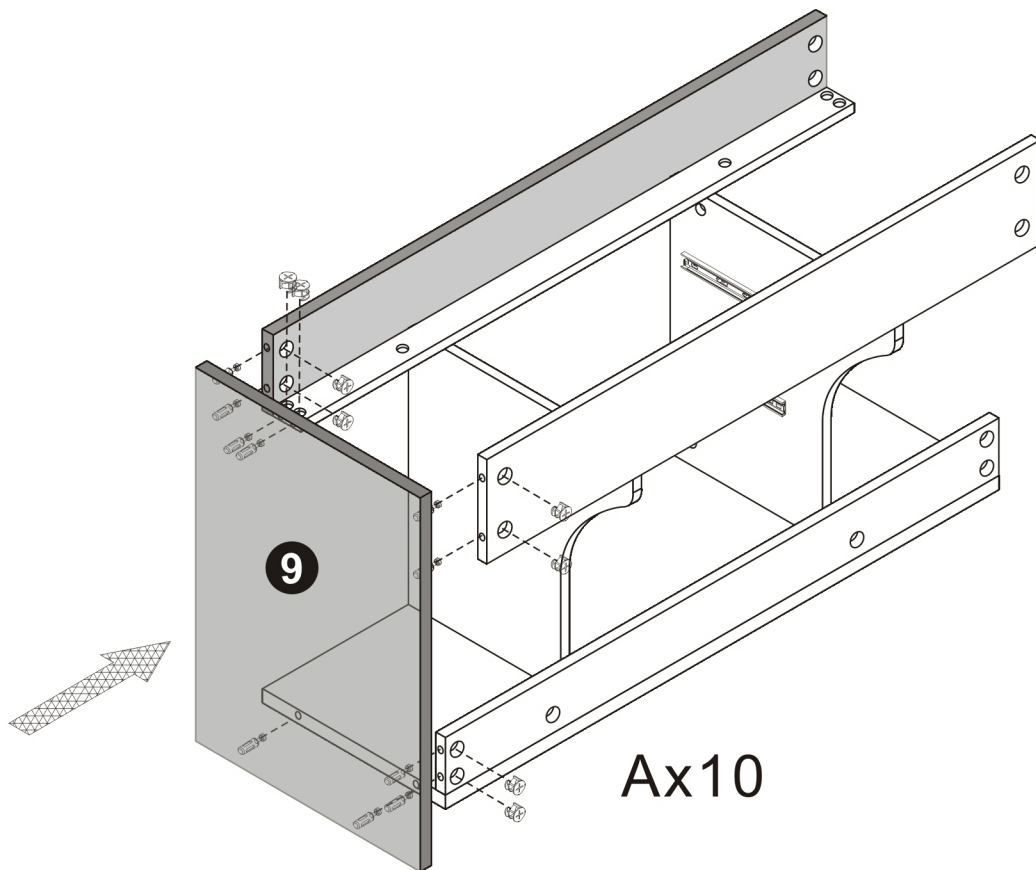
A	2PCS
	
15*10mm	


8



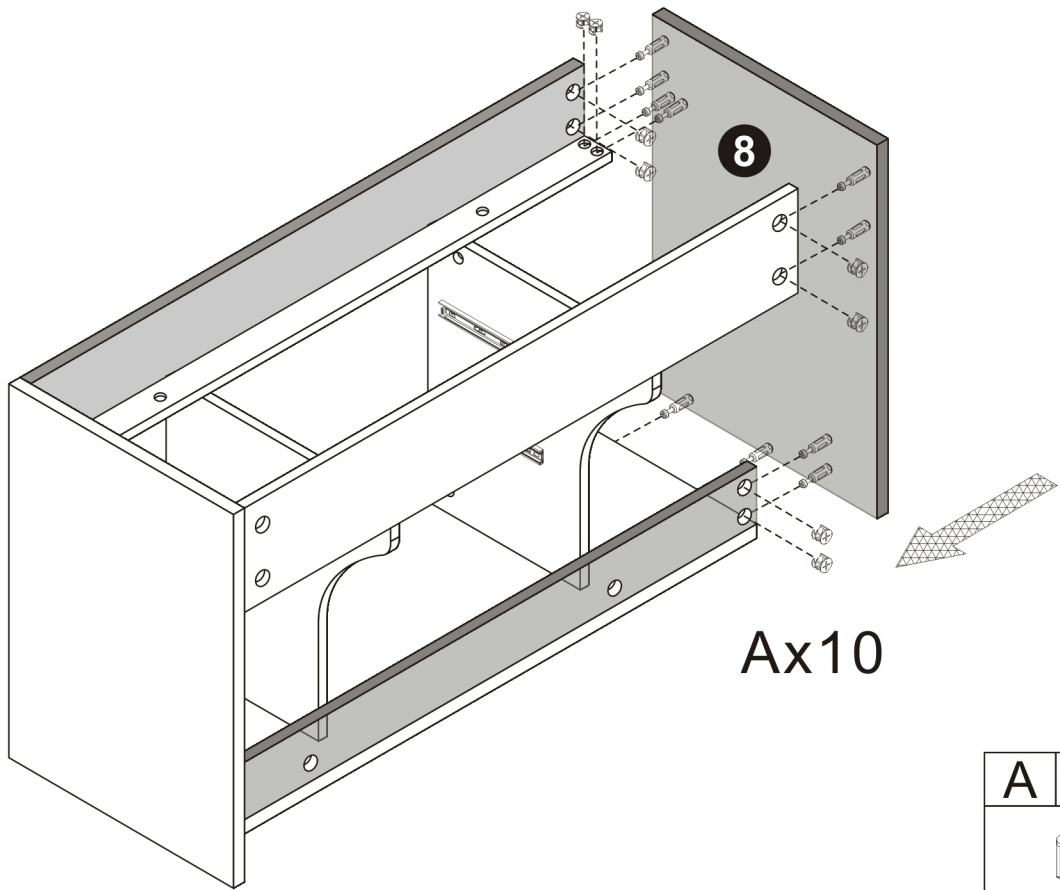
E	2PCS
	
7*38mm	

9




A	10PCS
	
15*10mm	

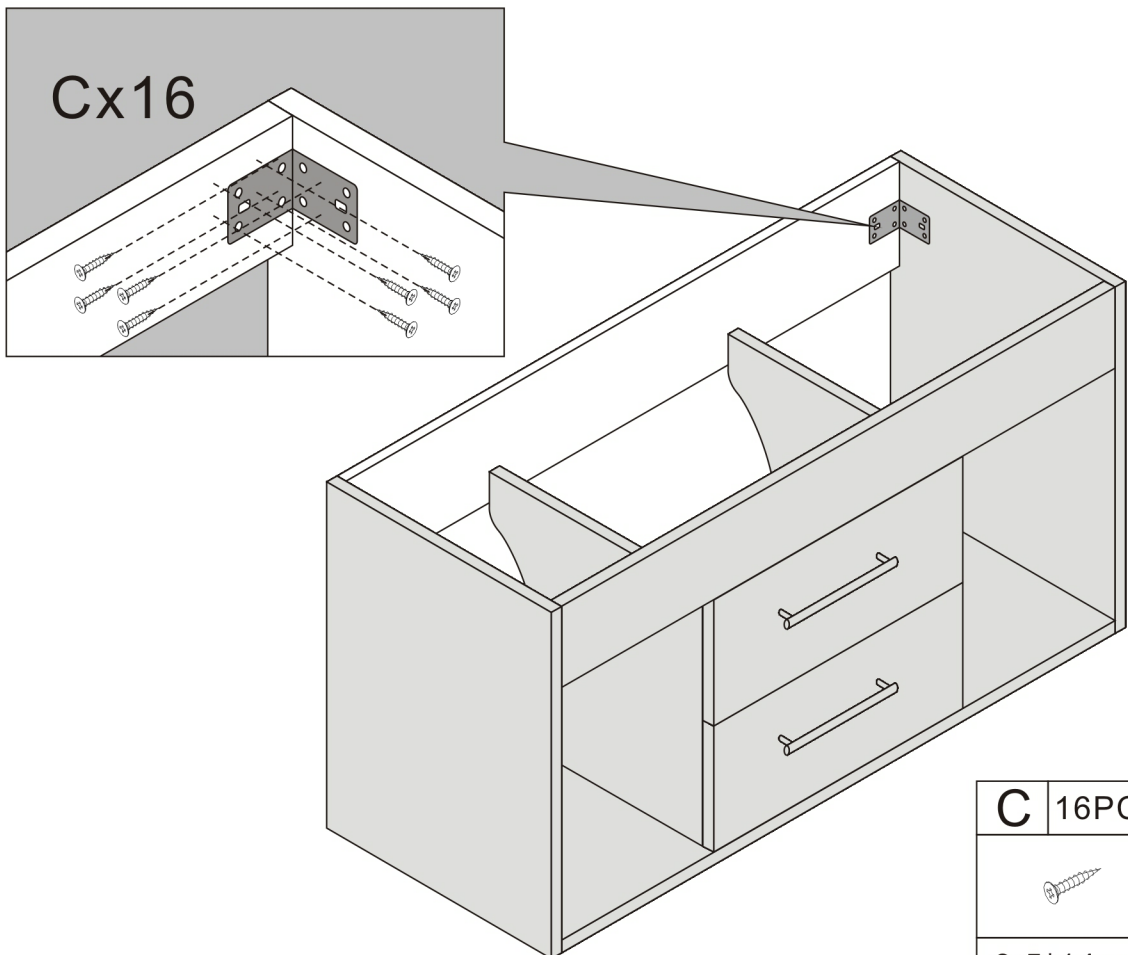
10





Ax10

<b>A</b>	10PCS
	
15*10mm	

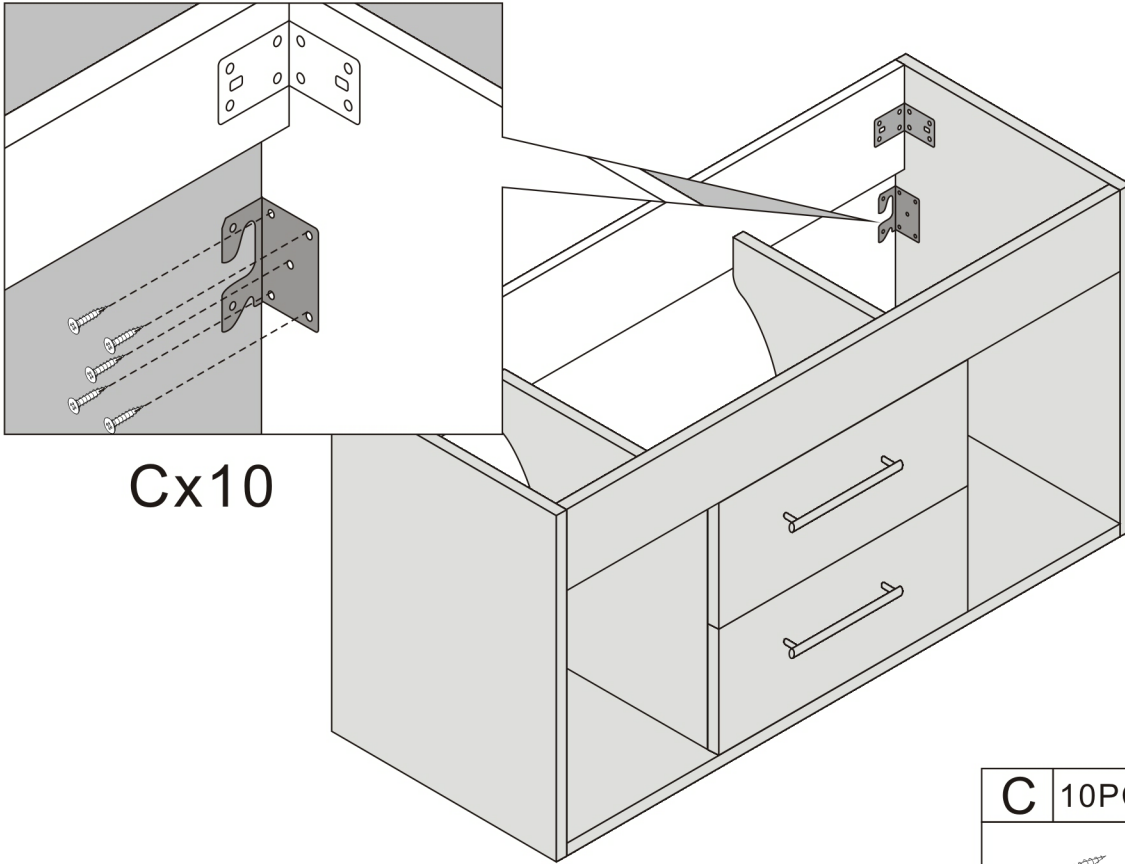
11





Cx16

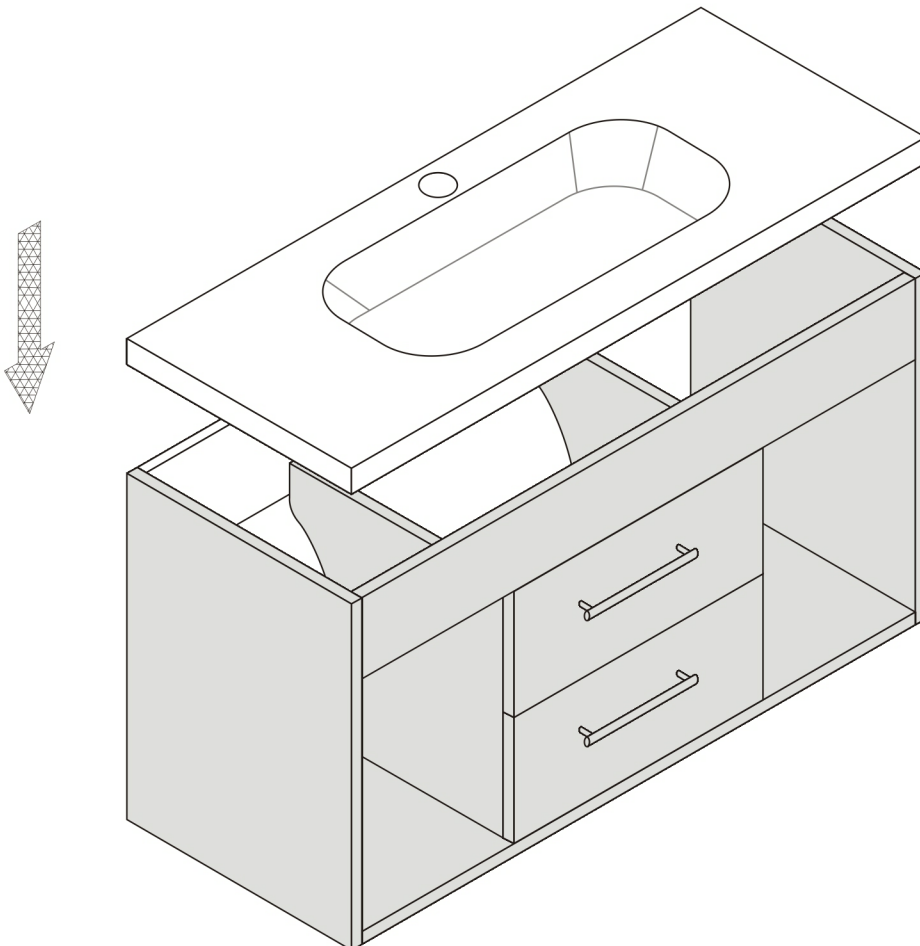
<b>C</b>	16PCS	<b>L</b>	2PCS
			
3.5*14mm		Corner code	

12

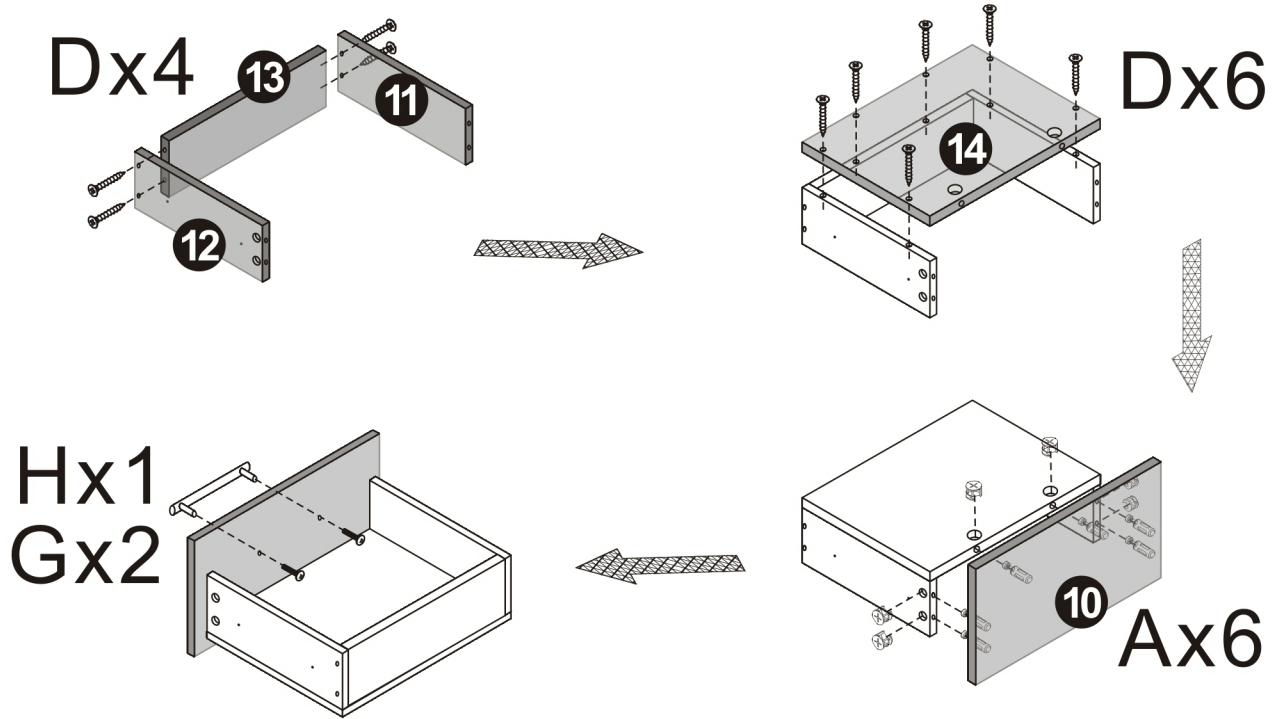



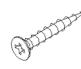

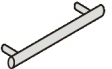
<b>C</b>	10PCS	<b>M</b>	2PCS
			
3.5*14mm		Pendant	

13

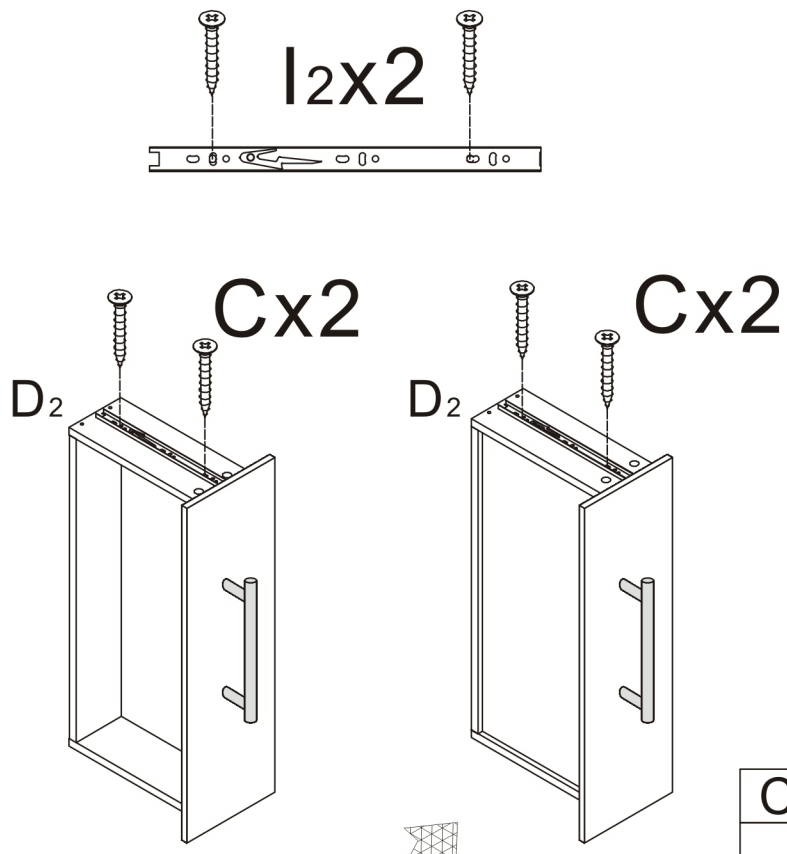




13



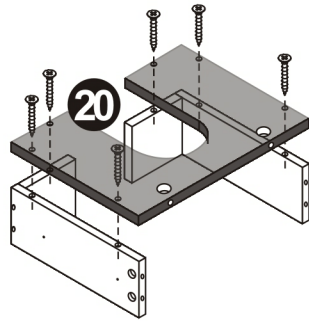
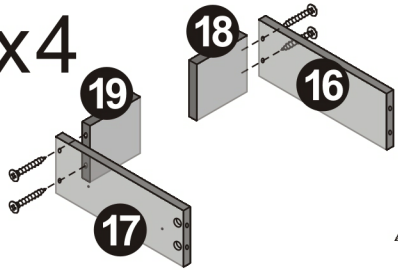
<b>A</b>	6PCS	<b>D</b>	10PCS	<b>G</b>	2PCS	<b>H</b>	1PCS
							
15*10mm		3.5*35mm		4*18		128 handles	

14



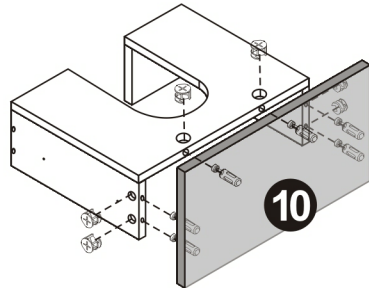
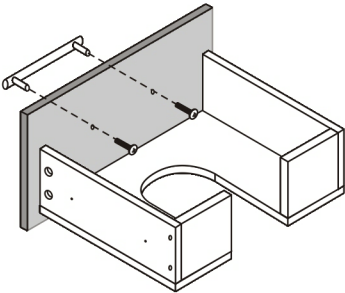
<b>C</b>	4PCS	<b>I</b>	2PCS
			
3.5*14mm		Three-section Rail	

Dx4

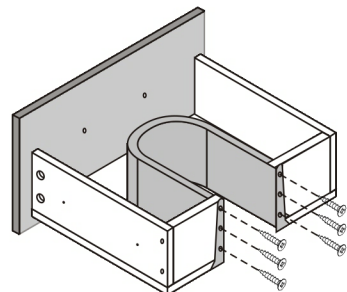
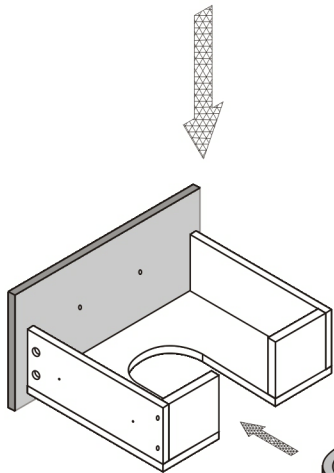


Dx6

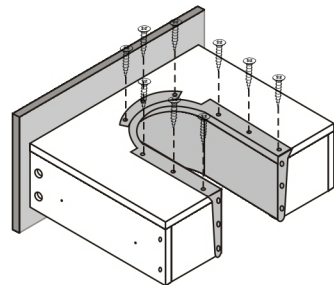
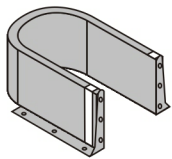
Hx1  
Gx2



Ax6

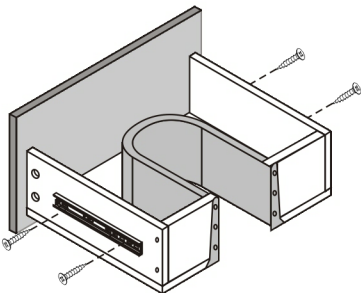






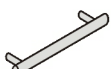

Cx6



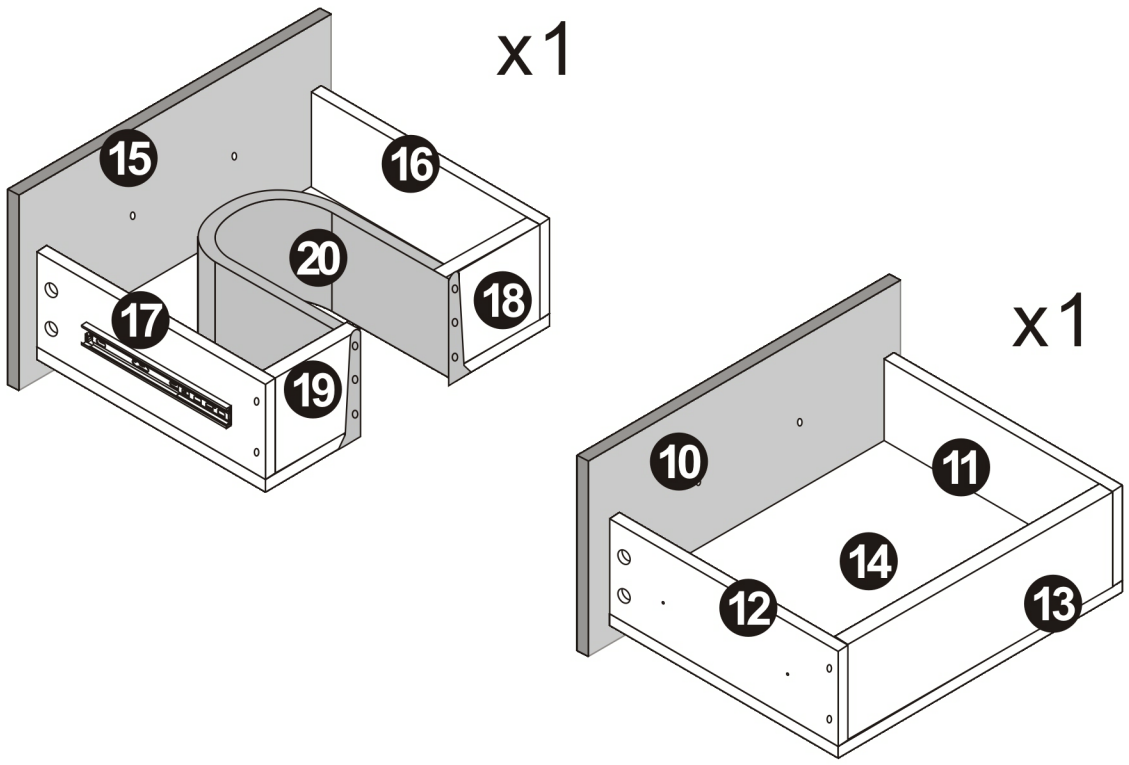
Cx9

Ix2  
Cx4

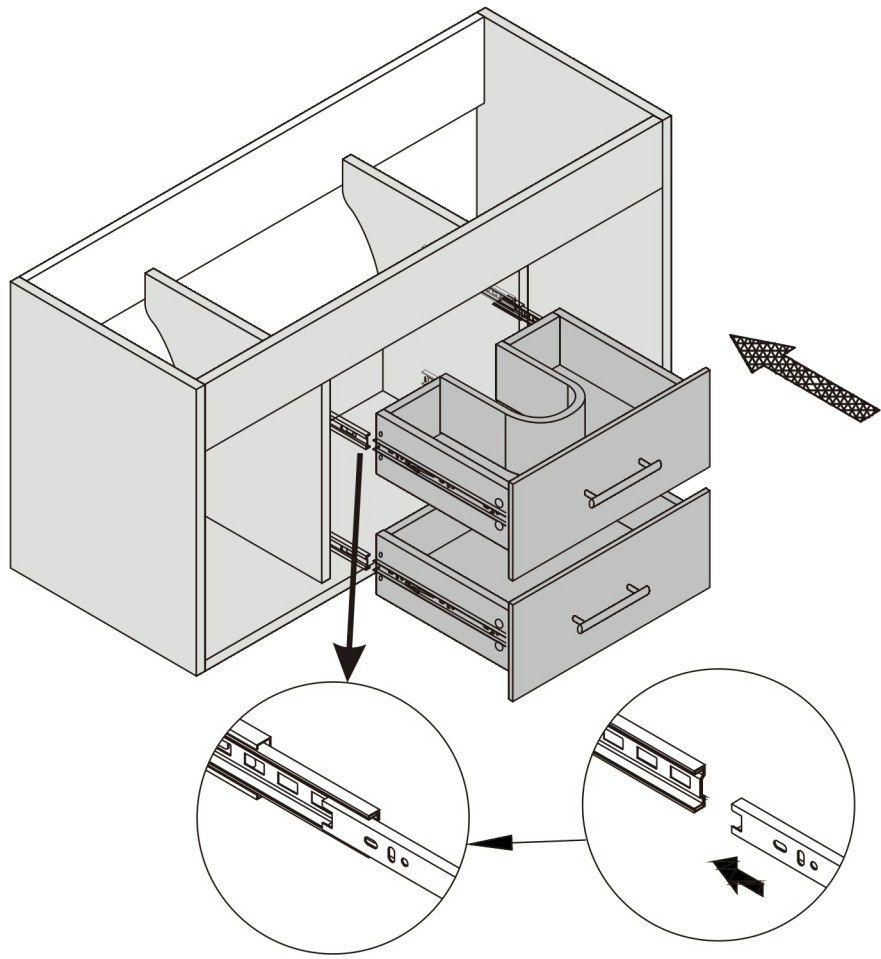


<b>A</b> 6PCS	<b>C</b> 19PCS	<b>D</b> 10PCS	<b>G</b> 2PCS	<b>H</b> 1PCS	<b>I</b> 2PCS
					
15*10mm	3.5*14mm	3.5*35mm	4*18	128 handles	Three-section Rail

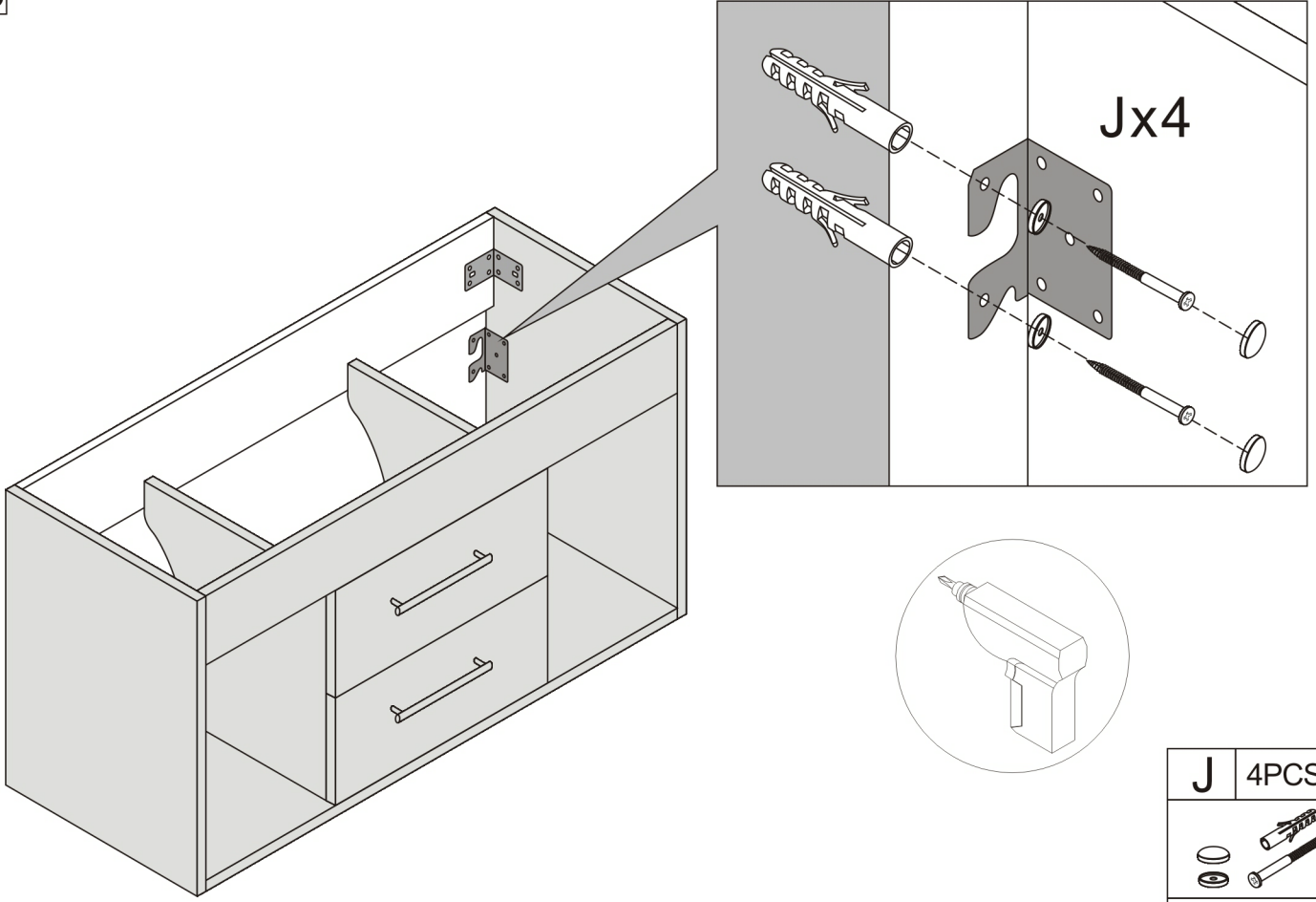
16



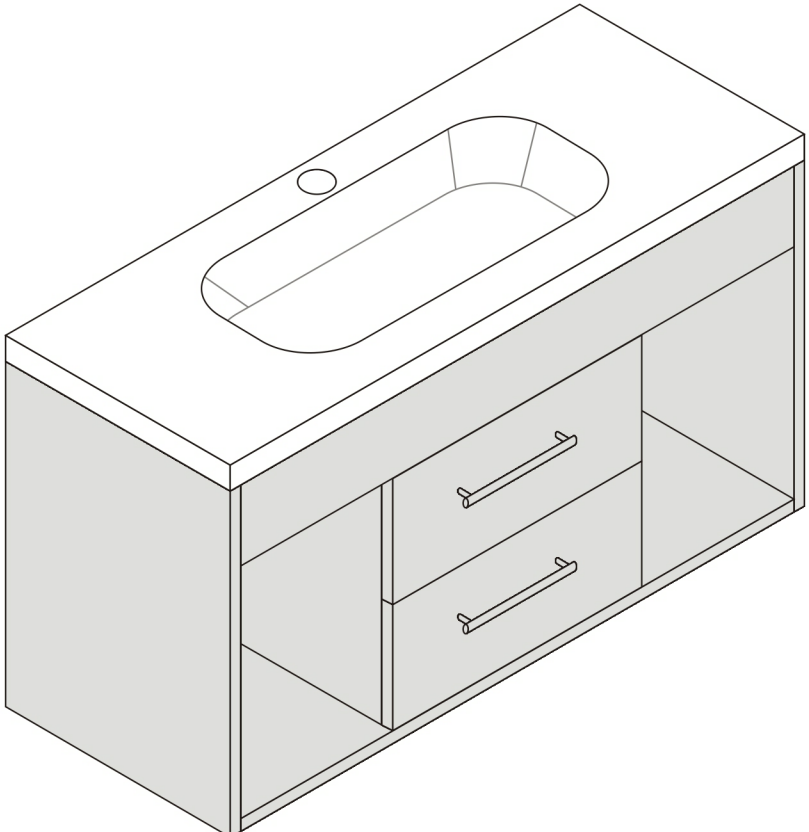
17



18



19



OK